



S19-2350 (EFX120) Emergency Fixture Thermostatic Mixing Valves

- ASSE 1071 Certified
- Meets ANSI Z358.1
- Reliable Liquid-Filled Thermostat with 10-Year Warranty
- Integral Strainer Checkstops on Inlets
- Adjustable Set Point within Temperature Range
- Accurate Temperature Control to within $\pm 3^\circ$ F
- Built-in Cold Water Bypass, Assuring Cold Flow
- Positive Shutoff of Hot Supply When Cold Supply is Lost
- Easy Installation and Serviceability
- Dirt and Lime Resistant
- Dial Thermometer
- Factory Assembled and Tested
- Universal Mounting Capability
- Cabinet Features:
 - 18 Gauge Body & Door
 - Left-Hand Hinge
 - Cylinder Lock
 - Inlet/Outlet Knock-Out Holes for Mounting Flexibility
 - Stainless Steel or Baked White Enamel Finishes
 - Surface-Mounted or Recessed Style

Valve Specifications

Maximum Operating Pressure

125 PSI (860 kPa)

Maximum Inlet Temperature

180° F (82° C)

Recommended Inlet Temperature

120° F (49° C) – 140° F (60° C)

Temperature Range

Std. 65° F (18° C) to 90° F (32° C) **Set Point** 85° F (29° C)

Flow Capacities – GPM

| Model | Min. Flow | Pressure Drop – PSI | | | | | | |
|-----------------|-----------|---------------------|------|------|------|------|------|-------|
| | | 5 | 10 | 15 | 20 | 30 | 45 | 60 |
| S19-2350 | 3 | 25.0 | 41.0 | 51.0 | 60.0 | 72.5 | 92.0 | 107.0 |

Minimum cold water bypass at 30 PSID: 30.0 GPM

Flow Capacities – L/Min

| Model | Min. Flow | Pressure Drop – Bar | | | | | | |
|-----------------|-----------|---------------------|-------|-------|-------|-------|-------|-------|
| | | .5 | 1.0 | 1.5 | 2.0 | 2.5 | 3.0 | 4.0 |
| S19-2350 | 11.5 | 125.0 | 189.0 | 236.0 | 275.0 | 310.0 | 340.0 | 398.0 |

Minimum cold water bypass at 2.1 Bar: 113.6 L/Min



This plumbing fixture is not intended to dispense water for human consumption through drinking or for preparation of food or beverages.

Code Compliance and Certifications

ASSE 1071 & UPC certified.



Engineer's Approval _____



Valve Model

| Model | Description |
|--|---|
| <input type="checkbox"/> S19-2350 | Emergency Fixture Thermostatic Mixing Valve |

Configurable Valve Model (select one)

| Model | Description |
|--|--|
| <input type="checkbox"/> EFX120 | EFX120 Thermostatic Mixing Valve with Options |
| <input type="checkbox"/> CAB-EFX120 | EFX120 Thermostatic Mixing Valve Cabinet Only |

Optional Valve Selections

| Finish | Description |
|-----------------------------------|------------------------|
| <input type="checkbox"/> R | Rough Brass (standard) |
| <input type="checkbox"/> C | Chrome Plated |

| Bracket | Description |
|-----------------------------------|-----------------------|
| <input type="checkbox"/> B | Wall Mounting Bracket |
| <input type="checkbox"/> 0 | None |

| Piped Assembly | Description |
|------------------------------------|--|
| <input type="checkbox"/> P | Piped Assembly with Inlet and Outlet Shutoff |
| <input type="checkbox"/> N* | Piped Assembly only |
| <input type="checkbox"/> 0 | None |

Optional Cabinet Selections

| Cabinets (includes bracket) | Description |
|------------------------------------|-------------------------------|
| <input type="checkbox"/> SS | Surface Mount Stainless Steel |
| <input type="checkbox"/> RS | Recessed Stainless Steel |
| <input type="checkbox"/> SE | Surface Mount White Enamel |
| <input type="checkbox"/> RE | Recessed White Enamel |
| <input type="checkbox"/> 0 | None |

| Window | Description |
|-----------------------------------|----------------------------|
| <input type="checkbox"/> W | Plexi-Glass Window in Door |
| <input type="checkbox"/> 0 | None |

*Requires cabinet selection



Application

For two or more
[Drench Showers or Combination Fixtures](#)

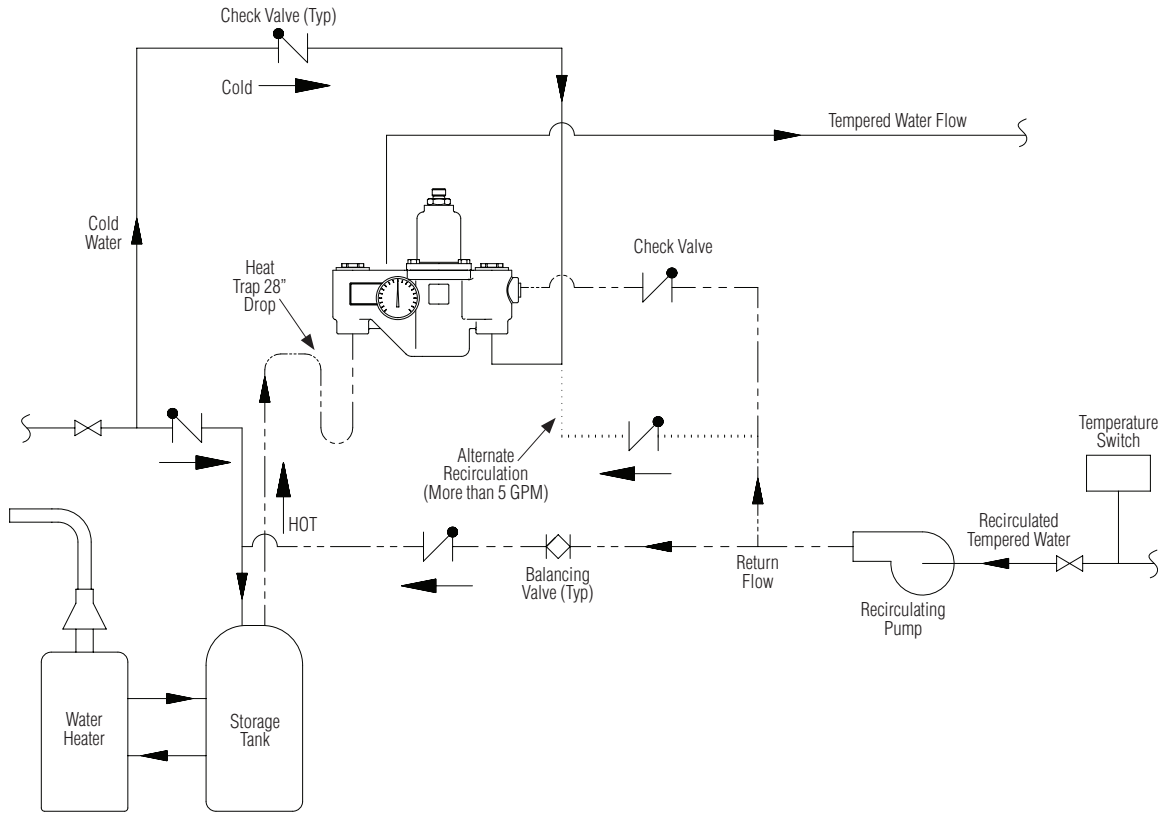
Complies with ANSI/ISEA Z358.1



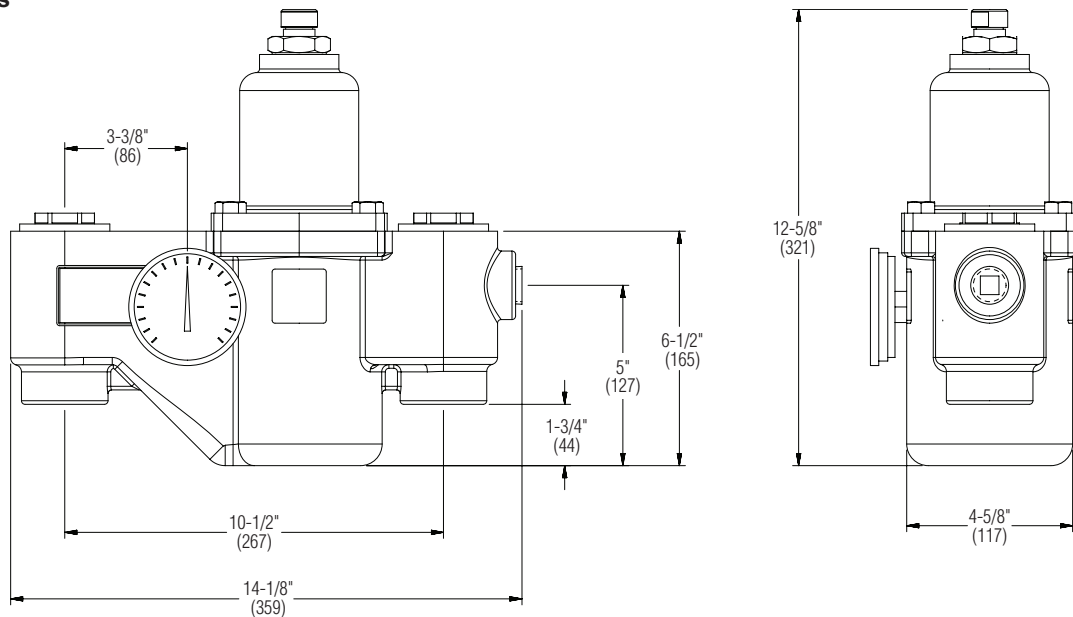
S19-2350 (EFX120) Emergency Fixture Thermostatic Mixing Valves

Recirculation Diagram

(mm)



Dimensions



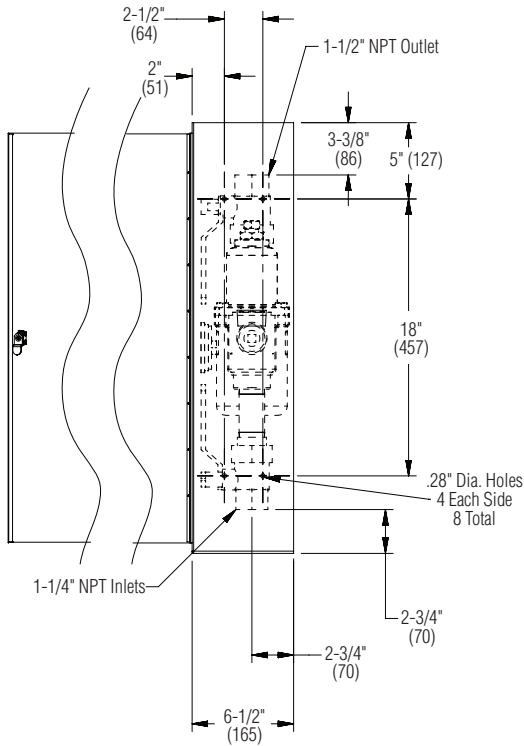


S19-2350 (EFX120) Emergency Fixture Thermostatic Mixing Valves

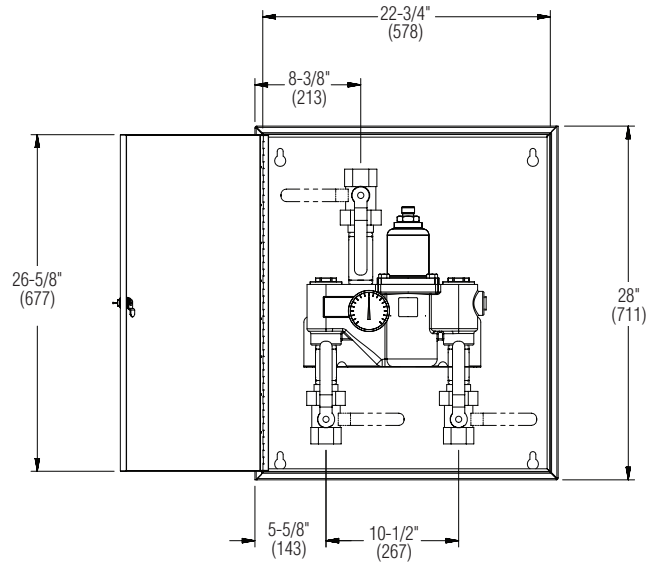
Dimensions — S19-2350 Surface-Mounted Cabinet

(mm)

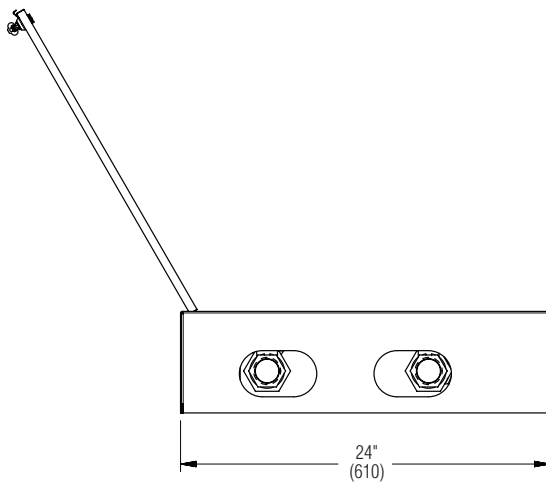
Side View



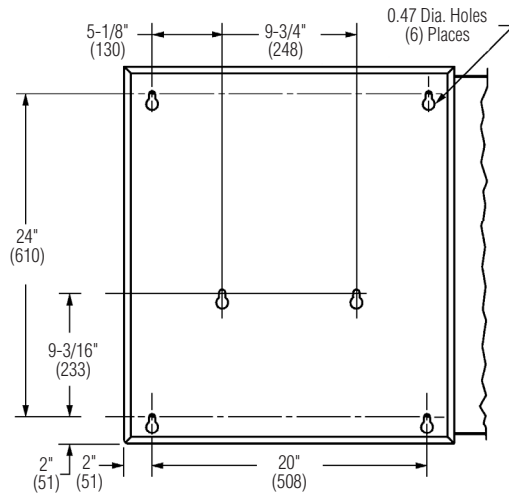
Front View



Bottom View



Mounting Hole Locations

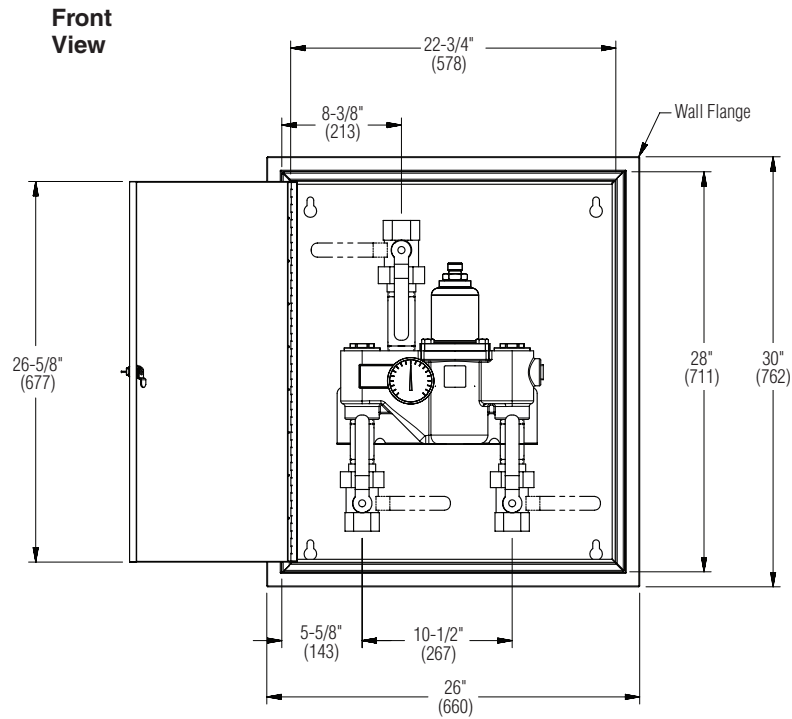




S19-2350 (EFX120) Emergency Fixture Thermostatic Mixing Valves

Dimensions — S19-2350 Recessed Cabinet

(mm)



Side View

