

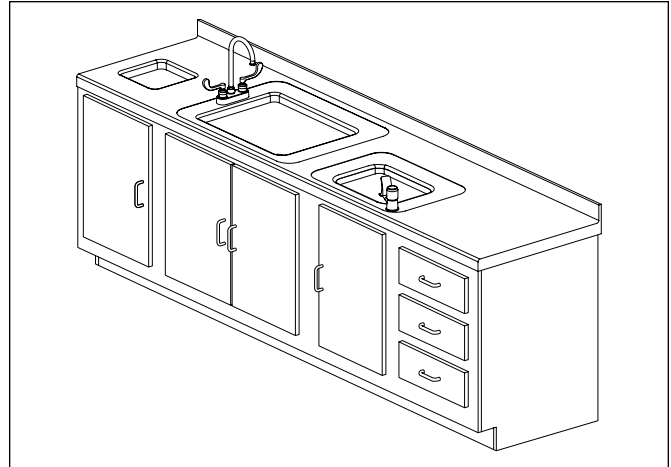


Key Features

- Terreon® deck with integral sink
- Unique, repairable Terreon® Solid Surface Material
- ADA and TAS Compliant units available
- Drilled or equipped with faucets/drinking fountains
- Optional waste receptacle openings
- 4-sided drip ledge around sink perimeter

Specifications

Terreon OmniDeck Model TCS Series features a solid surface counter top with integral sink(s) and covered backsplash. The Terreon OmniDeck comes equipped with faucet and drinking fountain or drilled for 4" centerset, 8" centerset, or centershank faucet mounting – always check local codes and ordinances for compliance. Optional 4 sided drip ledge and deck mounted soap dispensers available. Strainer and P-trap included.



Construction

Bowl/Deck

Constructed of Terreon, a densified solid surface material composed of polyester resin. Terreon is resistant to chemicals, stains, burns and impact. Surface damage can be easily repaired with everyday cleansers or fine grit abrasives. Terreon is GREENGUARD® certified as low-emitting materials.

Product Compliance

Listed by IAPMO R&T to

- Uniform Plumbing Code (UPC)
- National Plumbing Code of Canada
- International Plumbing Code (IPC)
- IGC 156 and the requirements of CSA B45.5/ IAPMO Z124 and ASME A112.18.1/CSA B125.1



Listed by UL Environment to

- GreenGuard Gold



Complies with

- ADA
- ICC/ANSI 117.1
- NSF/ANSI 372



Standard Height Mounting

The Terreon OmniDeck mounted at standard height is designed to comply with all ADA guidelines on reaches and clearances. To comply with ADA, the rim height of the sink must be no higher than 34" above the finished floor. To be completely ADA compliant, the TCS Series must be equipped with ADA compliant faucet and/or drinking fountain, ADA compliant casework, and 5½" depth sink.

Juvenile Height Mounting

The Terreon OmniDeck mounted with counter surface no higher than 31" is compliant with ADA Accessibility Guidelines for Buildings and Facilities: Buildings Elements Designed for Children's Use; Final Rule. To be completely ADA compliant for juveniles, the Terreon OmniDeck must be equipped with juvenile ADA compliant faucet and/or drinking fountain, juvenile ADA compliant casework, and 5½" depth sink.

Texas Accessibility Height Mounting

The Terreon OmniDeck complies with all Texas Accessibility Standards (TAS) guidelines on reaches, clearances and operation for juvenile users. To comply with TAS for grades Pre-K thru 5 or 6, the rim height of the sink must be 30" maximum above finished floor. For grades 6 thru 8 or 9, the unit must be mounted with a rim height of 32" maximum above finished floor. To be completely TAS compliant for juveniles, the TCS Series must be equipped with TAS compliant faucet, TAS compliant casework, and 3½" depth sink.

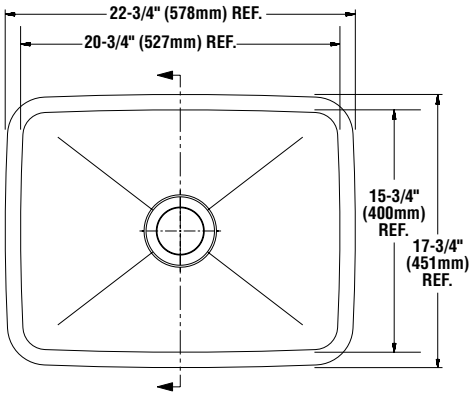


Serves the American Disabilities Act and ICC/ANSI 117.1 guidelines, citations 306, 308, 309.4, 606.4, 606.5 when installed according to these requirements. Consult local codes and standards.

Sustainability

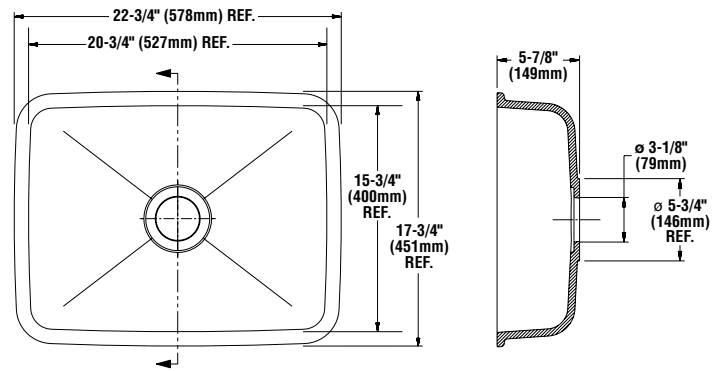
Terreon participates in the mindful MATERIALS library





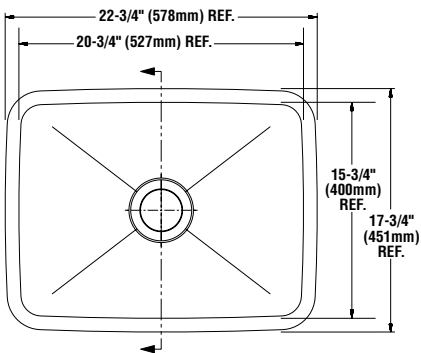
CS-1

3½" undermount basin depth



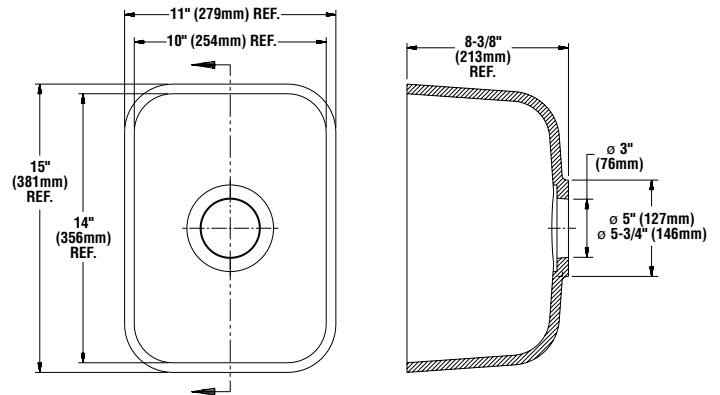
CS-2

5½" undermount basin depth



CS-3

8" undermount basin depth

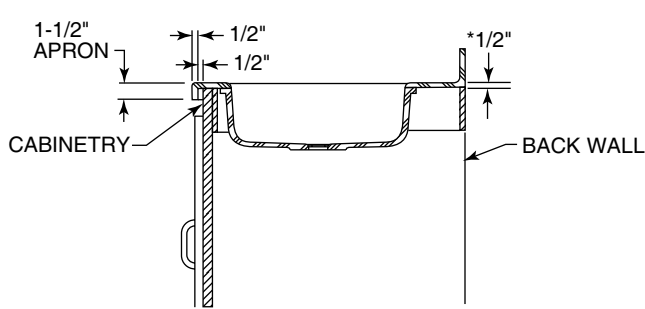


CS-4

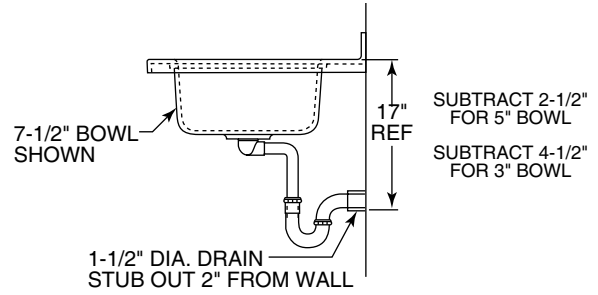
8" undermount basin depth

NOTE: Undermount basins are attached to 1/2" Terreon solid surface material increasing basin depth by 1/2". All dimensions are reference and subject to change.


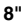
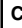
Bradley Corporation reserves the right to make changes in design and material without formal notice and without incurring obligation. Verify all rough-in dimensions prior to installation.

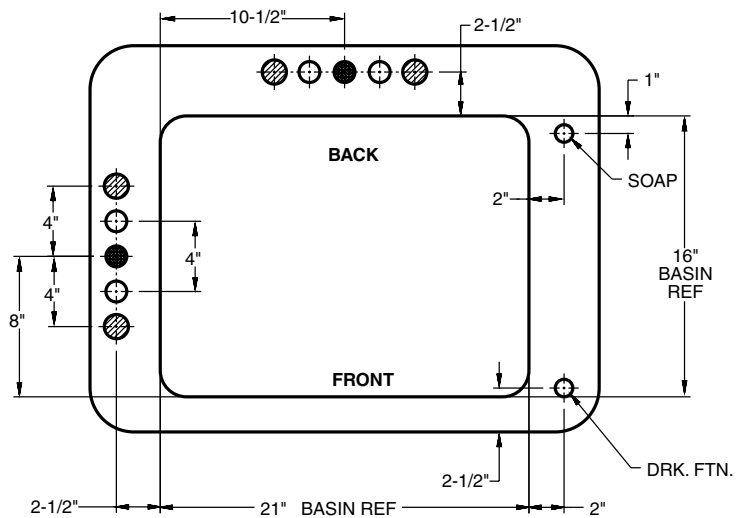
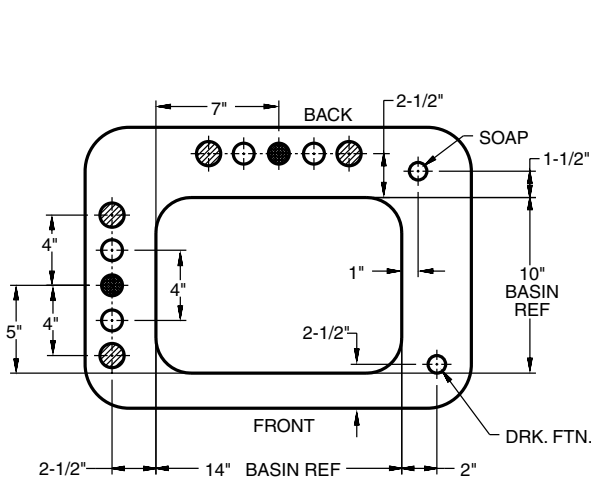


SINK DIMENSIONS



SINK ROUGH-IN

HOLES	4" 	8" 	C'SHANK 	DRK FTN	SOAP
CLR. HOLE	—	—	—	1"Ø	1"Ø
SPOUT	1-3/16"Ø	1-3/16"Ø	1-3/16"Ø	—	—
FAUCET	1-1/4"Ø	1-3/8"	—	—	—

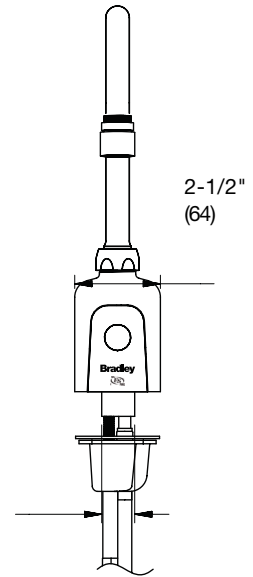
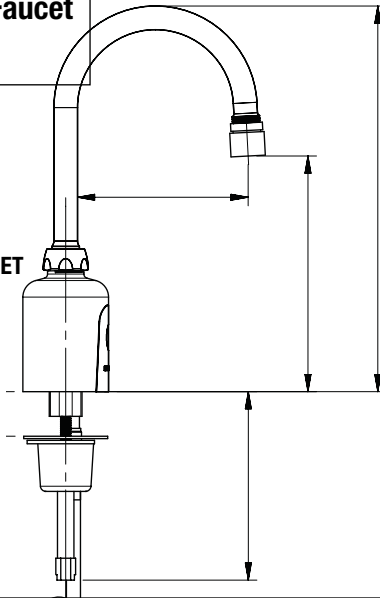


FAUCET, DRINKING FOUNTAIN & SOAP DISPENSER PLACEMENT

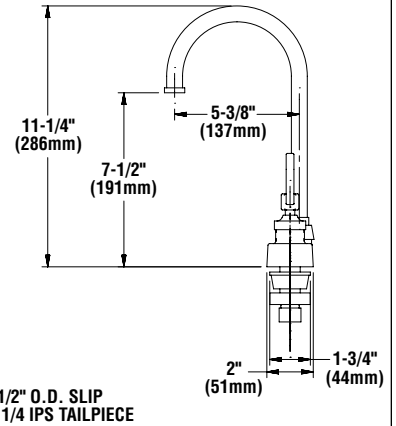
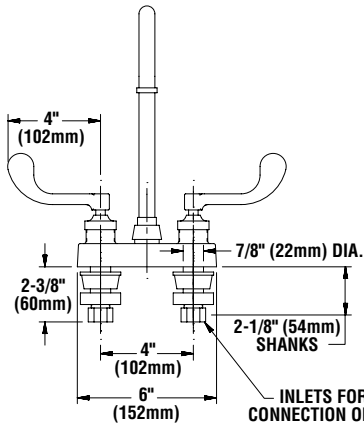


Terreon® OmniDeck — TCS Series Faucet Dimensions

AERADA™ 1000 SERIES GOOSENECK FAUCET



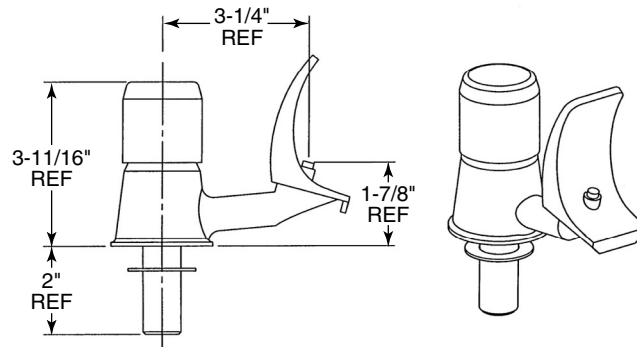
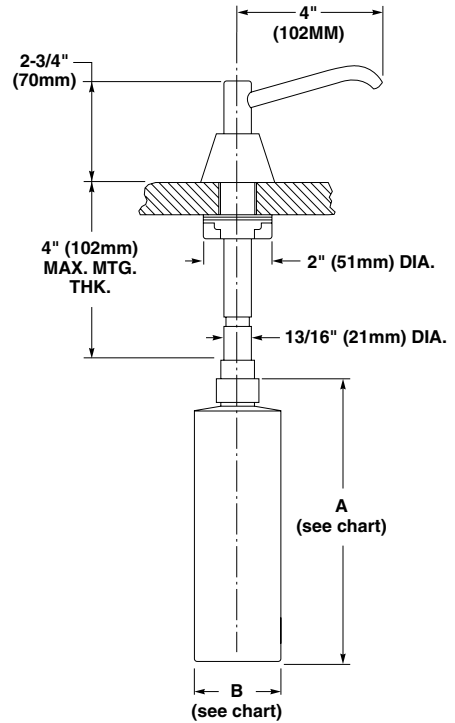
Wristblade Handles – Gooseneck Faucet
Part Number 269-878



Terreon® OmniDeck — TCS Series Soap Dispenser Dimensions

Model 6324

DIMENSIONS			
Model	A	B	Capacity
6324	7 ¹ / ₈ " (181mm)	2 ¹ / ₂ " (64mm)	16 oz.
6324-68	8 ⁵ / ₁₆ " (227mm)	3 ¹ / ₄ " (83mm)	32 oz.



PUSHBUTTON OPERATED DRINKING FOUNTAIN

NOTE: Some state and local codes require separate sinks for faucets and drinking fountains. Always check local codes and ordinances for compliance.



TCS OmniDeck™ — 3000 Series

Instructions: Fill out the following form for each Terreon OmniDeck and include with your Bradley Fixture Order Form. Be sure to check off all boxes and fill in all blank spaces that pertain to your order. Incomplete forms will not be processed and will cause delays in shipment.

* Any variance or deviation from the options below will require a signed, Bradley engineered submittal for order processing.

Job Name: _____

Location: _____

Bradley Rep: _____

Date: _____

Approval: _____

Modified TCS Series Models:

Qty.

_____ **TCS-0 (Terreon OmniDeck — No Sink)**

_____ **TCS-1 (Single Bowl Terreon OmniDeck)**

_____ **TCS-2 (Double Bowl Terreon OmniDeck)**

REQUIRED				OPTIONAL		
L	D	B1	B2	WR1	WR2	SH

Use the diagrams on the following page to determine the appropriate dimensions for the Terreon OmniDeck to be filled in above. For example: If selecting a **TCS-2**, you must fill in **L** (length), **D** (depth), **B1** (bowl 1 placement), **B2** (bowl 2 placement).

KEY:

L Length

D Depth

B1 Placement of Bowl 1

B2 Placement of Bowl 2

WR1 Placement of Waste Receptacle 1

WR2 Placement of Waste Receptacle 2

SH Splash Height

NOTE: All dimensions for bowl placements must be from left to right (as indicated in the sample diagrams on the following page).

All deck dimensions should be specified to the nearest ¼".

SH — Backsplash exceeding 5" will not be covered and will be shipped loose.

Important: If countertop overhang is desired on casework, add appropriate length and depth to deck when calculating dimensions.

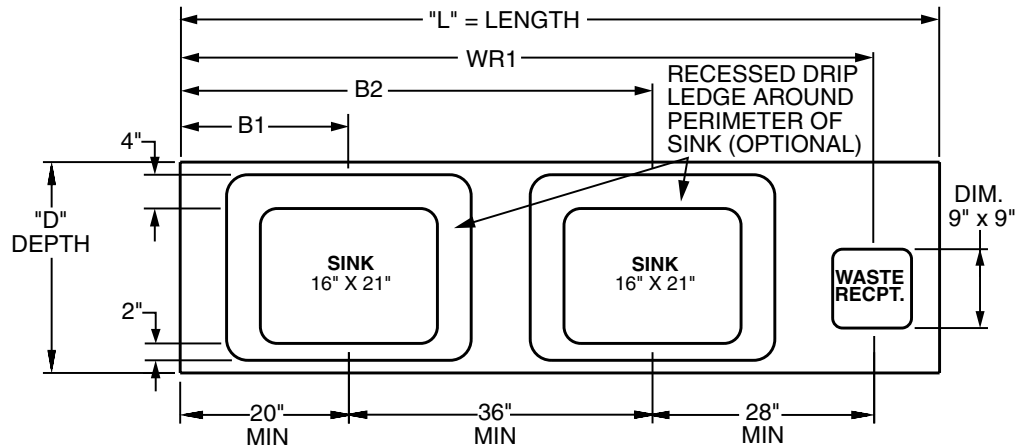
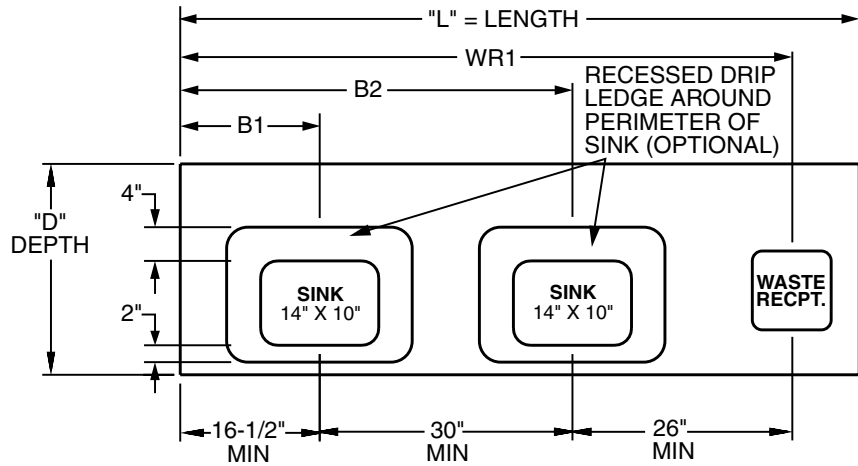
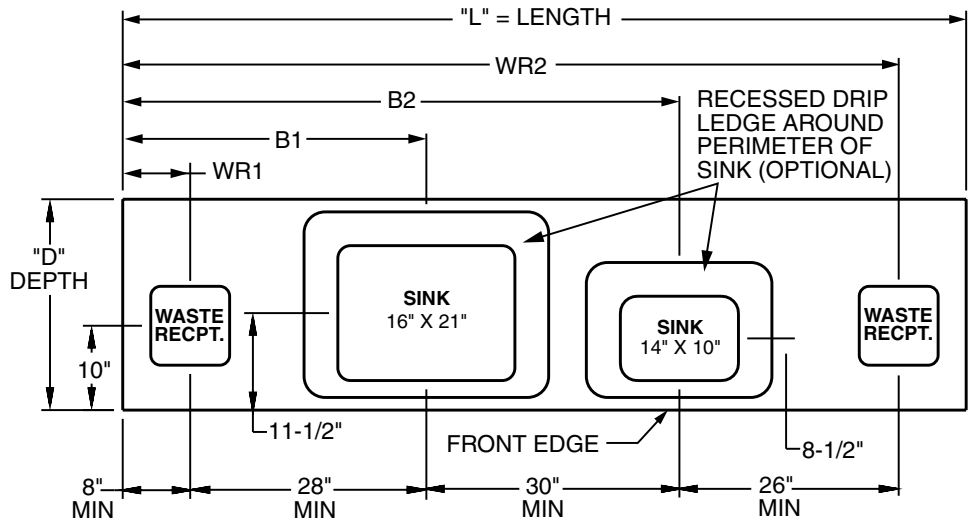


A WATTS Brand




TCS OmniDeck™ — 3000 Series

KEY:

- L Length
- D Depth
- B1 Placement of Bowl 1
- B2 Placement of Bowl 2
- WR1 Placement of Waste Receptacle 1
- WR2 Placement of Waste Receptacle 2
- SH Splash Height






Standard Selections (Must select one from each category)			<u>Bowl 1</u>	<u>Bowl 2</u>
Sink Styles:				
CS-1 16x21"	Terreon Sink, 3½" Depth (TAS)			
CS-2 16x21"	Terreon Sink, 5½" Depth (ADA)			
CS-3 16x21"	Terreon Sink, 8" Depth			
CS-4 10x14"	Terreon Sink, 8" Depth			
Faucet Drilling Locations:			<u>Bowl 1</u>	<u>Bowl 2</u>
LEFT				
RIGHT				
BACK				
NFD	Terreon Sink, 8" Depth			
Faucet Options:			<u>Bowl 1</u>	<u>Bowl 2</u>
GN-DC	IR Gooseneck w/ Battery Power (DC)			
WB	Gooseneck; 10" Spout, Dual Lever			
None	No Bradley Faucet			
Faucet Drilling Options (Choose from below only if "None" option from above was selected):			<u>Bowl 1</u>	<u>Bowl 2</u>
4" SET	4" Centerset			
8" SET	8" Centerset			
4" OFFSET — R	4" Center Offset Right			
4" OFFSET — L	4" Center Offset Left			
SHANK	Centershank			
NFD	No Faucet Drilling			
Drinking Fountain Drilling Locations:			<u>Bowl 1</u>	<u>Bowl 2</u>
LEFT	Left Drinking Fountain Drilling			
RIGHT	Right Drinking Fountain Drilling			
NDF	No Drinking Fountain Drilling			
Drinking Fountain Options:			<u>Bowl 1</u>	<u>Bowl 2</u>
DFPB	Push Button Activated			
DFDO	Drinking Fountain Drilling Only			
NDF	No Drinking Fountain			
Soap Dispenser Options:			<u>Bowl 1</u>	<u>Bowl 2</u>
6324	16 oz. Plastic Globe, 4" Spout			
6324-68	32 oz. Plastic Globe, 4" Spout			
NSD	No Soap Dispenser			
SDO	Soap Drilling Only			
Sink Drip Ledge Options:			<u>Bowl 1</u>	<u>Bowl 2</u>
DL	4-Sided Drip Ledge Around Sink Perimeter			
NDL	No Drip Ledge			



A WATTS Brand

TCS OmniDeck™ — 3000 Series

Standard Selections (Must select one from each category)			
Waste Receptacle Opening (Location specified in chart on page 7): WR-0 No Waste Receptacle Opening RO Roundover WR-1 One Waste Receptacle Opening WR-2 Two Waste Receptacle Openings	Edging Style Selection (select one):  RO		
Will deck be seamed? SEAM-L Seamed on the Left <input type="checkbox"/> SEAM-R Seamed on the Right <input type="checkbox"/> SEAM-LR Seamed on the Left and Right <input type="checkbox"/> SEAM-BK Seamed on the Back <input type="checkbox"/> NONE No Seams <input type="checkbox"/>			
Will Tempered Water Be Supplied to This Unit? (select one) <small>Note: This question must be answered to determine bowl color options (see above).</small> TEMP Tempered (less than 110°F or 43°C) NO-TEMP Not Tempered			
Deck Standard Colors: <i>NOTE: Click on any swatch to view as a larger image.</i> <table style="width:100%; border: none;"> <tr> <td style="width:50%; vertical-align: top;"> ALP-WHITE <input type="checkbox"/> Alpine White CHAR <input type="checkbox"/> Charcoal Gray DRIFT <input type="checkbox"/> Driftwood ¹ DS-WHT <input type="checkbox"/> Designer White E-GRAY <input type="checkbox"/> Empire Gray GLACIER <input type="checkbox"/> Glacier GRAPH <input type="checkbox"/> Graphite LANNON <input type="checkbox"/> LannonStone MOONSTONE <input type="checkbox"/> Moonstone ¹ </td> <td style="width:50%; vertical-align: top;"> PEBBLE <input type="checkbox"/> Pebble Beach PEP-WHT <input type="checkbox"/> Peppered White POLAR <input type="checkbox"/> Polar Ice ¹ RIVER <input type="checkbox"/> Riverstone SAND <input type="checkbox"/> Sandtrap S-CREEK <input type="checkbox"/> Stone Creek S-MIST <input type="checkbox"/> Silver Mist WHT-SAND <input type="checkbox"/> White Sand </td> </tr> </table>		ALP-WHITE <input type="checkbox"/> Alpine White CHAR <input type="checkbox"/> Charcoal Gray DRIFT <input type="checkbox"/> Driftwood ¹ DS-WHT <input type="checkbox"/> Designer White E-GRAY <input type="checkbox"/> Empire Gray GLACIER <input type="checkbox"/> Glacier GRAPH <input type="checkbox"/> Graphite LANNON <input type="checkbox"/> LannonStone MOONSTONE <input type="checkbox"/> Moonstone ¹	PEBBLE <input type="checkbox"/> Pebble Beach PEP-WHT <input type="checkbox"/> Peppered White POLAR <input type="checkbox"/> Polar Ice ¹ RIVER <input type="checkbox"/> Riverstone SAND <input type="checkbox"/> Sandtrap S-CREEK <input type="checkbox"/> Stone Creek S-MIST <input type="checkbox"/> Silver Mist WHT-SAND <input type="checkbox"/> White Sand
ALP-WHITE <input type="checkbox"/> Alpine White CHAR <input type="checkbox"/> Charcoal Gray DRIFT <input type="checkbox"/> Driftwood ¹ DS-WHT <input type="checkbox"/> Designer White E-GRAY <input type="checkbox"/> Empire Gray GLACIER <input type="checkbox"/> Glacier GRAPH <input type="checkbox"/> Graphite LANNON <input type="checkbox"/> LannonStone MOONSTONE <input type="checkbox"/> Moonstone ¹	PEBBLE <input type="checkbox"/> Pebble Beach PEP-WHT <input type="checkbox"/> Peppered White POLAR <input type="checkbox"/> Polar Ice ¹ RIVER <input type="checkbox"/> Riverstone SAND <input type="checkbox"/> Sandtrap S-CREEK <input type="checkbox"/> Stone Creek S-MIST <input type="checkbox"/> Silver Mist WHT-SAND <input type="checkbox"/> White Sand		
Color of Terreon Bowl Color Selection (select one): ALP-WHT Alpine White SAME Same as Deck (Requires Tempered Water) DS-WHT Designer White			
Side Apron Options (Front apron standard, standard height of 1.5): LSA Left Side Apron RSA Right Side Apron BSA Both Side Aprons ASA All Side Aprons (Island) NONE No Side Aprons			
Side Splash Options (Shipped Loose, Height indicated as SH in chart on page 6): LSS Left Side Splash RSS Right Side Splash BSS Both Side Splashes NONE No Side Splashes			
Back Splash Options (Height indicated as SH in chart on page 6) [select one]: BS Backsplash NBS No Backsplash			
Terreon Adhesive Seam Kit (180-day Shelf Life): AS-K Adhesive Seam Kit Color _____ Qty (one Adhesive Seam Kit recommended per seam)			
Bracket (Optional): TBRKT2 Mounting Bracket(s) with Terreon Strip (Decks 23¼" - 26" deep)			

¹ This color contains large, randomly distributed chips.