



A WATTS Brand

# FL-3H, FL-3L Frequency® Lavatory System – FL-Series

## Key Features

- ADA & TAS compliant (lower or "concave" stations only)
- Patented molded one-piece design with integral bowls
- Constructed of Terreon® solid surface material
- Access panel and transition cover enclosure
- Optional soap dispenser and plug-in adapter
- Compatible with Verge™ deck-mounted faucets

## Specifications

With its patented design, the multi-height Frequency Lavatory System comfortably provides hand-washing access for adults, children, and those with disabilities. The "convex" or higher station provides a more ergonomically correct position for able-bodied users while the "concave" or lower stations can be mounted to meet ADA or TAS guidelines. Accommodating one to two users at a time, the FL-Series features a solid surface countertop with a one-of-a-kind integral bowl. The Frequency lav system includes a "no drip" edge, and the unique bowl with integral solid surface overflow allows for greater knee clearance than other barrier-free fixtures. Optional deck-mounted soap dispensers and plug-in adapters are available.

## Product Compliance

### Listed by IAPMO R&T to

- Uniform Plumbing Code (UPC)
- National Plumbing Code of Canada
- International Plumbing Code (IPC)
- IGC 156 and the requirements of CSA B45.5/ IAPMO Z124 and ASME A112.18.1/CSA B125.1



### Listed by UL Environment to

- GreenGuard Gold



### Complies with

- ADA
- ICC A117.1
- TAS
- NSF/ANSI 372
- CSA/ASC B651:23



Serves the American Disabilities Act and ICC/ANSI 117.1 guidelines, citations 306, 308, 309.4, 606.4, 606.5 when installed according to these requirements. Consult local codes and standards.

This plumbing fixture is designed for hand washing only. It is not intended to dispense water for human consumption through drinking or for preparation of food or beverages.

Verify all rough-in dimensions prior to installation.

Consult local and national codes. Conformity and compliance to local and national codes is the responsibility of the installer.

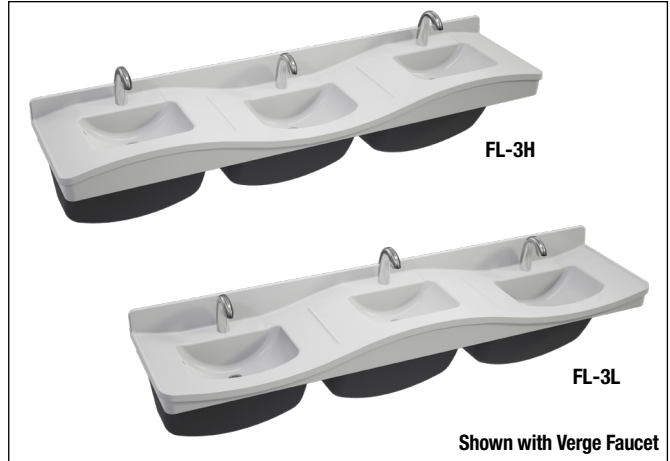
Page 1 of 8

4/22/2024

[View Latest Version](#)

This information is subject to change without notice.

Bradley\_Sink\_Frequency\_FL-3L\_3H



Shown with Verge Faucet

## Sustainability

- Terreon participates in the mindful MATERIALS library



## Finishes

Click on any color swatch to view as a larger image.

- Polished Chrome
- Brushed Black Stainless\*
- Brushed Stainless\*
- Brushed Bronze\*
- Brushed Brass\*
- Brushed Nickel\*

\*PVD Finishes, see PVD Finishes section.

## \* PVD Finishes

Physical Vapor Deposition is an intricate, environmentally friendly finishing process that molecularly bonds the finish to the faucet, creating a very hard, durable surface that will not corrode, discolor, or tarnish.

© 2024 Bradley

P.O. Box 309, Menomonee Falls, WI 53052-0309  
800 BRADLEY (800 272 3539) +1 262 251 6000  
bradleycorp.com



# FL-3H, FL-3L Frequency® Lavatory System – FL-Series

## Standard Height Mounting

The concave or lower hand washing stations are designed to be mounted at various heights to comply with all ADA guidelines on reaches and clearances. To comply with ADA, the rim height at the outside edge of the lower or concave station must be 34" max. above the finished floor. To be completely ADA compliant, the Frequency Lav System must be equipped with ADA-compliant faucets and access panel.



The convex hand washing stations do not meet ADA Accessibility Guidelines. Always check local codes for compliance.

## Juvenile Height Mounting

The concave hand washing stations are designed to be mounted at various heights to comply with all ADA and TAS guidelines on reaches and clearances. To comply with ADA for children, the rim height at the outside edge of the concave station must not exceed 31". Source: ADA Accessibility Guidelines for Buildings and Facilities (ADAAG) as amended through September 2002. For more information, contact the Texas Department of Licensing and Regulation.

## Construction

### Counter Top/Bowl

Constructed of Terreon, a densified solid surface material composed of a bio-based resin. Terreon is resistant to chemicals, stains, burns, and impact. Surface damage can be easily repaired with everyday cleansers or fine grit abrasives. Terreon is GREENGUARD® certified as low-emitting materials.

## Access Panel

The access panel and transition cover of the Frequency Lav System not only conceals plumbing and electrical connections, but also reduces time needed for installation and maintenance. Access panel and transition cover are made from high impact polymer.

## Mounting

The FL-Series includes heavy gauge stainless steel mounting brackets, eliminating the need for additional specifications and/or casework beneath the countertop. All Frequency Lavatory Systems meet or exceed industry standards for load testing. Refer to the installation manual for backing recommendations.

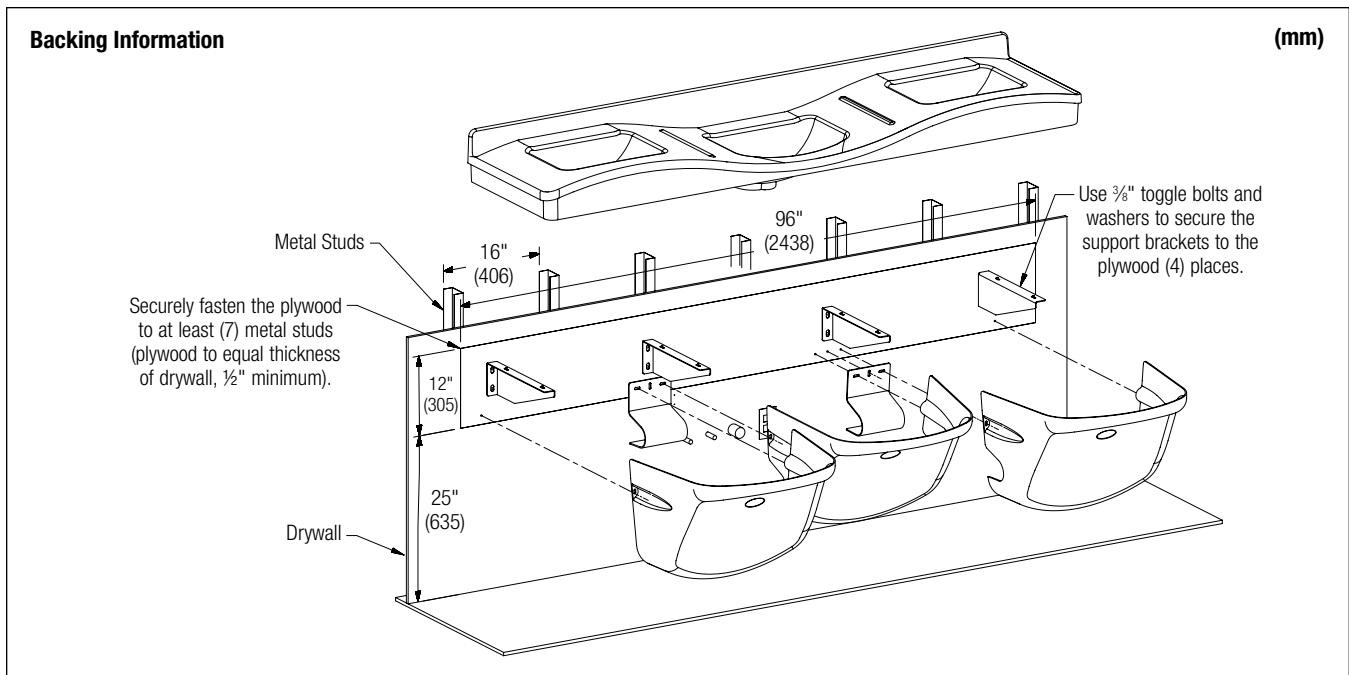
## Faucets

Choose from our 0.35 gpm (1.3 Lpm) or 0.50 gpm (1.9 Lpm) Verge Faucets – Crestt, Metro, Linea, or Zen Series. 4" centerset and centershank faucet drillings are available for faucets by others. Optional 4" centerset trim plates are available for additional vandal resistance.

## Standard Equipment

### Models FL-3H & FL-3L

Multi-level deck with three lavatories, heavy gauge, stainless steel mounting brackets. Access panel and transition covers to enclose the following fittings: offset drain; P-trap; continuous waste with end outlet; flexible stainless steel supply connections; and ASSE 1070 Navigator® thermostatic mixing valve with stop valves.



Consult local and national codes. Conformity and compliance to local and national codes is the responsibility of the installer.

Page 2 of 8

4/22/2024

[View Latest Version](#)

This information is subject to change without notice.

Bradley\_Sink\_Frequency\_FL-3L\_3H

Protected by one or more of the following U.S. patents: D477,060, D507,634, D484,958, D49 6,450, and 7,039,963. Other patents pending.

© 2024 Bradley

P.O. Box 309, Menomonee Falls, WI 53052-0309  
800 BRADLEY (800 272 3539)

+1 262 251 6000  
bradleycorp.com

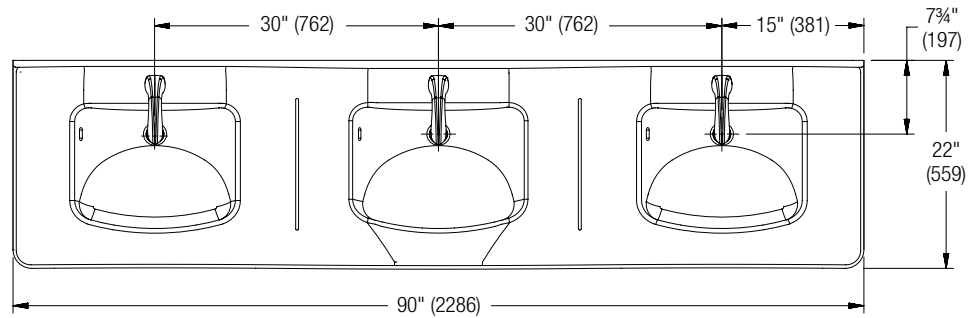


# FL-3H, FL-3L Frequency® Lavatory System – FL-Series

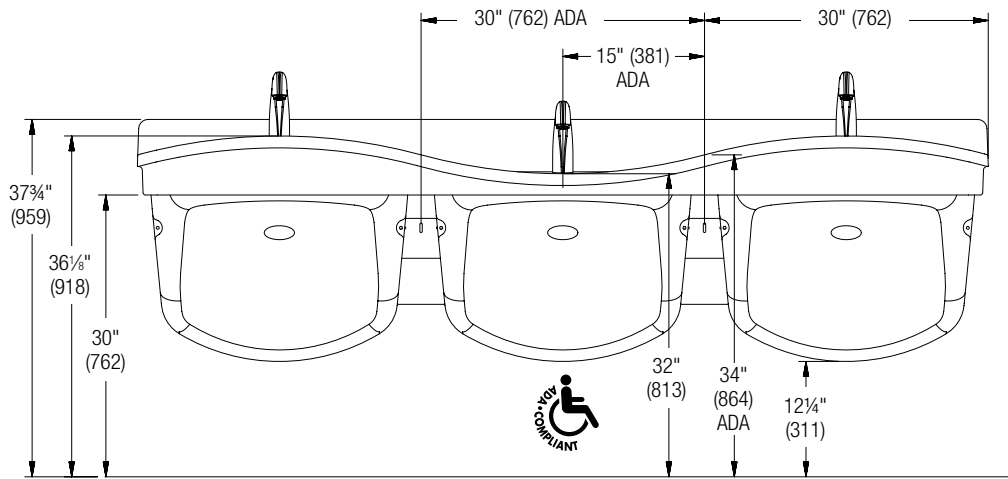
## Dimensions – Top and Front Views

(mm)

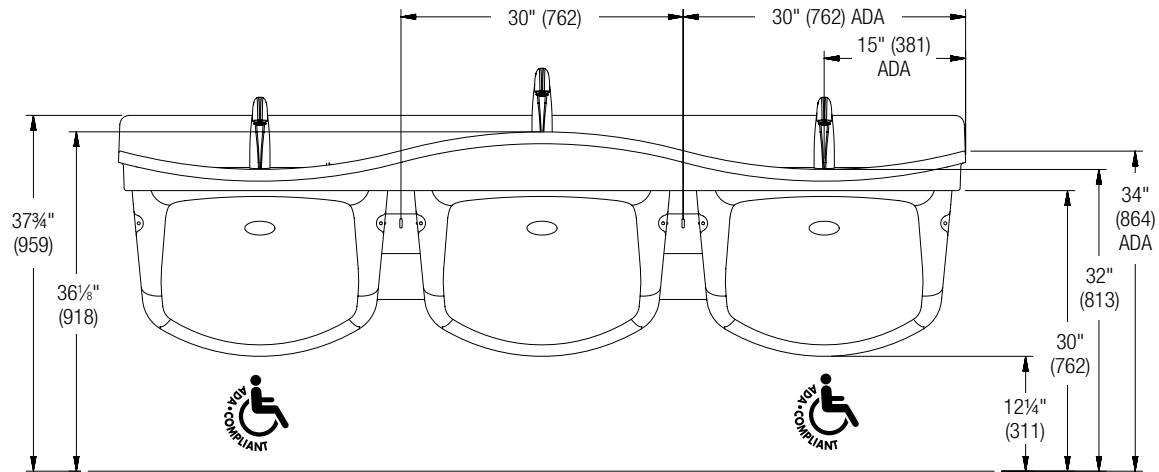
FL-3H shown  
FL-3L is similar



### FL-3H



### FL-3L



Verify all rough-in dimensions prior to installation.  
 Consult local and national codes. Conformity and compliance to local and national codes is the responsibility of the installer.  
 Page 3 of 8  
 This information is subject to change without notice.  
 Bradley\_Sink\_Frequency\_FL-3L\_3H

4/22/2024

[View Latest Version](#)

© 2024 Bradley  
 P.O. Box 309, Menomonee Falls, WI 53052-0309  
 800 BRADLEY (800 272 3539) +1 262 251 6000  
 bradleycorp.com

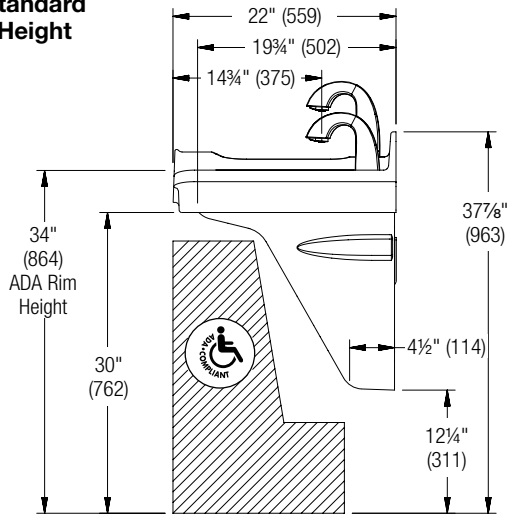


# FL-3H, FL-3L Frequency® Lavatory System – FL-Series

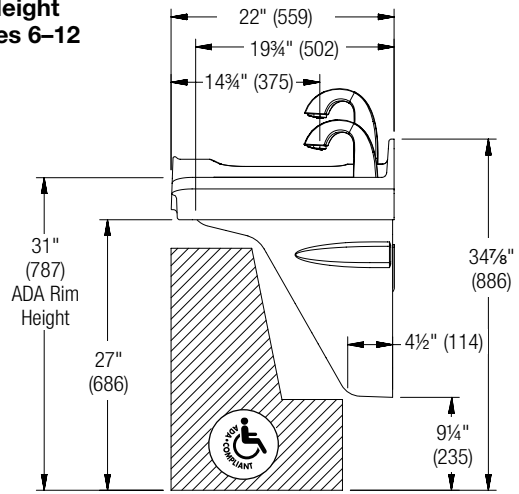
## Dimensions – Side Views

(mm)

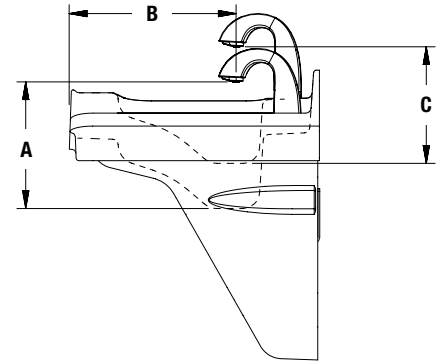
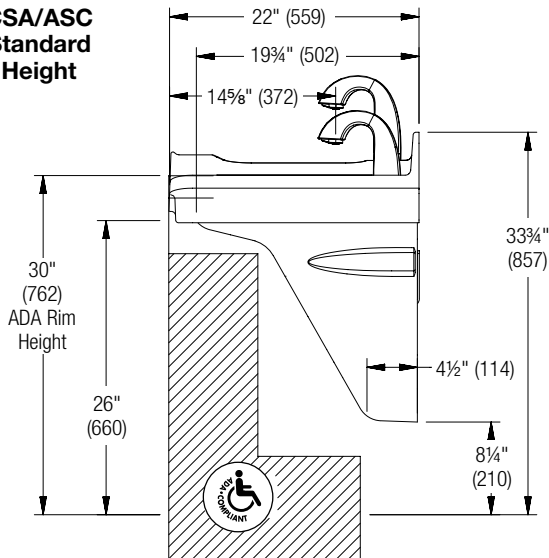
### Standard Height



### Juvenile Height Ages 6–12



### CSA/ASC Standard Height



	Crestt	Metro	Linea	Zen
A	11¼" (286)	10" (254)	10⅜" (263)	10⅝" (270)
B	14¾" (375)	14⅝" (365)	14⅝" (371)	14⅞" (378)
C	10¼" (261)	9⅞" (232)	9½" (242)	9⅝" (245)

Verify all rough-in dimensions prior to installation.

Consult local and national codes. Conformity and compliance to local and national codes is the responsibility of the installer.

Page 4 of 8

4/22/2024

[View Latest Version](#)

This information is subject to change without notice.

Bradley\_Sink\_Frequency\_FL-3L\_3H

© 2024 Bradley  
P.O. Box 309, Menomonee Falls, WI 53052-0309  
800 BRADLEY (800 272 3539) +1 262 251 6000  
bradleycorp.com

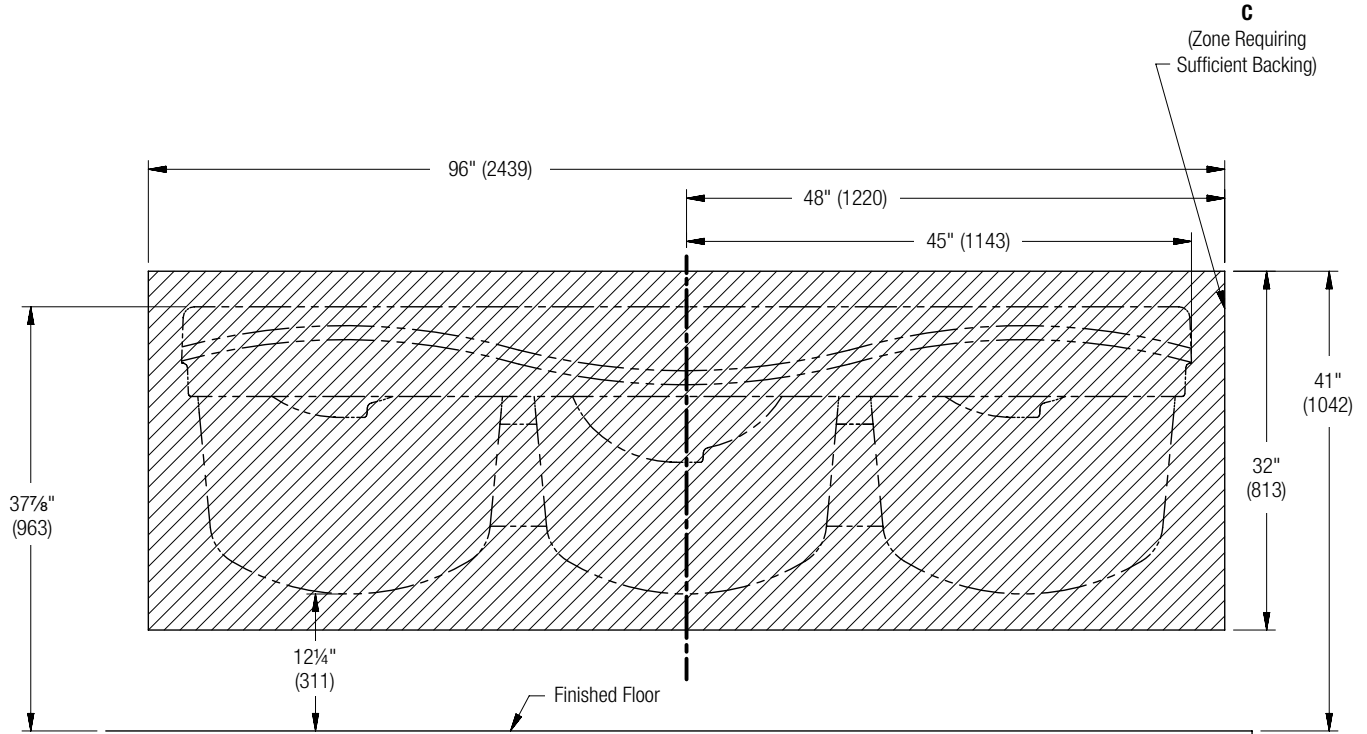


A WATTS Brand

# FL-3H, FL-3L Frequency® Lavatory System – FL-Series

## Rough-In Diagram: Structural Backing (All Models)

FL-3H shown  
FL-3L is similar



CODE	DESCRIPTION	QTY.
C	Provide structural backing compliant with local building codes.	1

Verify all rough-in dimensions prior to installation.  
Consult local and national codes. Conformity and compliance to local and national codes is the responsibility of the installer.  
Page 5 of 8  
This information is subject to change without notice.  
Bradley\_Sink\_Frequency\_FL-3L\_3H

4/22/2024

[View Latest Version](#)

© 2024 Bradley  
P.O. Box 309, Menomonee Falls, WI 53052-0309  
800 BRADLEY (800 272 3539) +1 262 251 6000  
bradleycorp.com

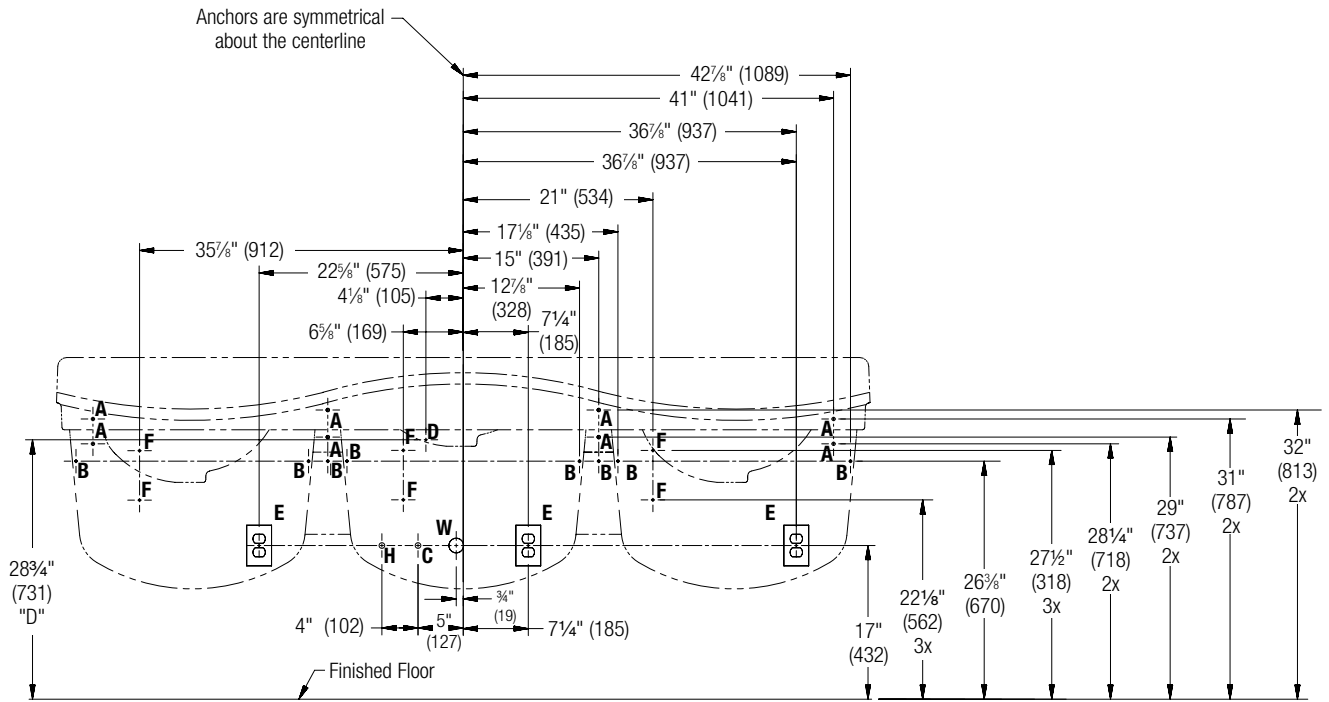




# FL-3H, FL-3L Frequency® Lavatory System – FL-Series

## Rough-In Diagram: FL-3L

(mm)



CODE	DESCRIPTION	QTY.
A	3/8" Lav Deck Anchors with a Minimum Pull-Out Force of 1,000 lb	8
B	#10 Wall Anchors/Fasteners for Mounting Trap/Transition Covers	8
H, C	1/2" Nominal Copper Tubing Hot/Cold Supplies, Stub-Out 2" From Wall	1
D	#10 Wall Anchors/Fasteners for Valve Mounting	2
E	NEMA 5-15R Receptacle 125V GFCI (protected electrical outlet not required for battery powered systems)	3
W	1 1/2" NPT Drain, stub out 2" from wall (for combined drain)	1

OUTSIDE EDGE RIM HEIGHT (LOWER STATION)	VERTICAL HEIGHT ADJUSTMENTS FOR CODES A–E, H, C AND W	FIXTURE STYLE
34"	0	Standard Height
30"	Subtract 4"	Juvenile Height

Verify all rough-in dimensions prior to installation.  
Consult local and national codes. Conformity and compliance to local and national codes is the responsibility of the installer.  
Page 7 of 8  
This information is subject to change without notice.  
Bradley\_Sink\_Frequency\_FL-3L\_3H

4/22/2024

[View Latest Version](#)

© 2024 Bradley  
P.O. Box 309, Menomonee Falls, WI 53052-0309  
800 BRADLEY (800 272 3539) +1 262 251 6000  
bradleycorp.com

