



A WATTS Brand

ELX-2 Express® Lavatory System – ELX-Series

Key Features

- Seamless, one-piece lavatory is a cost effective upgrade to traditional fabricated counters with seams
- With fewer plumbing connections, installs faster than traditional counters and sinks
- Easy-to-clean, linear design minimizes flat areas where water could puddle
- With or without covered backsplash
- Integral/serviceable overflows
- 1 person access panel install and removal
- ADA and TAS compliant
- Available in a variety of Terreon® solid surface colors
- Compatible with Verge™ deck-mounted soap dispensers and faucets

Specifications

Accommodates one or two users. These units handle washroom traffic quickly and economically, while providing each user with their own personal space. Robust design meets or exceeds the ANSI load requirements. This system can be mounted at different heights to accommodate hand washing for adults, children, young children and those with disabilities. Search CSI 3-part specification on bradleycorp.com for CSI spec format.

Product Compliance

Listed by IAPMO R&T to

- Uniform Plumbing Code (UPC)
- National Plumbing Code of Canada
- International Plumbing Code (IPC)
- IGC 156 and the requirements of CSA B45.5 / IAPMO Z124 and ASME A112.18.1 / CSA B125.1



Complies with

- ADA
- ICC/ANSI 117.1
- TAS
- NSF/ANSI 372



Sustainability

- Terreon participates in the mindful MATERIALS library



Serves the American Disabilities Act and ICC/ANSI 117.1 guidelines, citations 306, 308, 309.4, 606.4, 606.5 when installed according to these requirements. Consult local codes and standards.



Shown with optional accessories

Construction

Bowl

Constructed of Terreon, a densified solid surface material composed of a bio-based resin. Terreon is resistant to chemicals, stains, burns and impact. Surface damage can be easily repaired with every day cleansers or fine grit abrasives. Terreon is certified as low-emitting materials.

Support Bracket

Bracket design allows for flexible stud or wall blocking anchor locations. Eliminates the need for in-wall carriers. IAPMO certified to meet or exceed ANSI load requirements.

Access Panel

Unique access panel design pivots on stainless steel brackets which easily allows for one person installation and removal. The access panel is composed of high impact polymer so it will not chip, peel, or flake. The fully enclosed vandal resistant design eliminates the need for plumbing wrap.

Strainer and Drain Assembly

System comes complete with plungeable 300 series stainless steel strainers, tailpiece connection and your choice of a combined drain rough-in with one drain connection or individual drain rough-in connections.

Vandal Resistance

Water supplies, valving, waste assembly and other optional items are completely concealed within the high impact access panel. Terreon bowl material is also highly vandal resistant and repairable.

Faucets*

Choose from our 0.35 gpm (1.3 Lpm) or 0.50 gpm (1.9 Lpm) Verge Faucets – Crestt, Metro, Linea, or Zen Series. 4" centerset and centershank faucet drillings are available for faucets by others. Optional 4" centerset trim plates are available for additional vandal resistance.

Soap Dispensers*

Choose from our Verge Deck-Mounted Soap Dispensers – Crestt, Metro, Linea, or Zen Series. Dispensers can be arranged as personal soap (dispensers next to each faucet) or shared soap (one dispenser centered between faucets). See page 2 for drilling locations. Soap drillings available for soap by others.

*For primary/elementary school applications, Bradley recommends hands-free activation for soap dispensers and faucets in lieu of manual activation to ensure proper reach for kindergarten students.



This plumbing fixture is designed for hand washing only. It is not intended to dispense water for human consumption through drinking or for preparation of food or beverages.

© 2024 Bradley

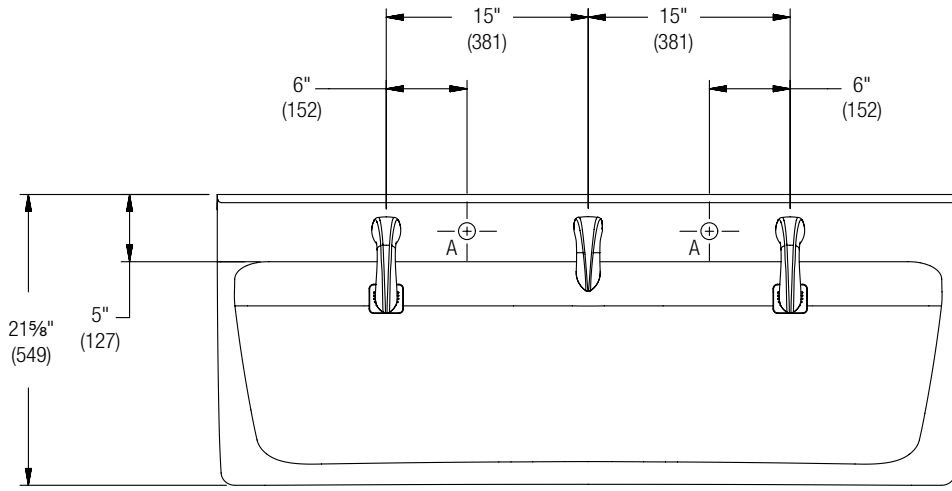
P.O. Box 309, Menomonee Falls, WI 53052-0309
800 BRADLEY (800 272 3539) +1 262 251 6000
bradleycorp.com



ELX-2 Express® Lavatory System – ELX-Series

Top View (shown with shared soap option)

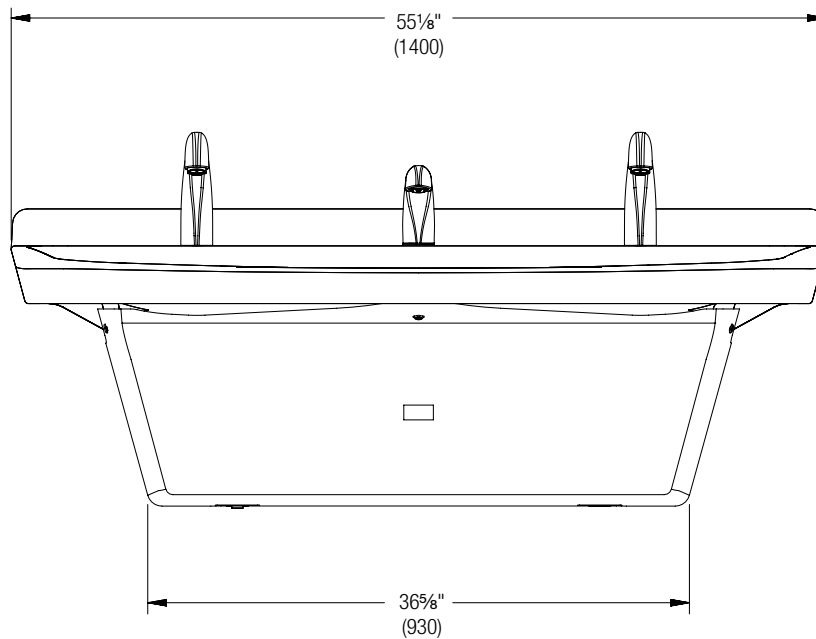
(mm)



A = personal soap locations

Front View (shown with covered backsplash option)

(mm)

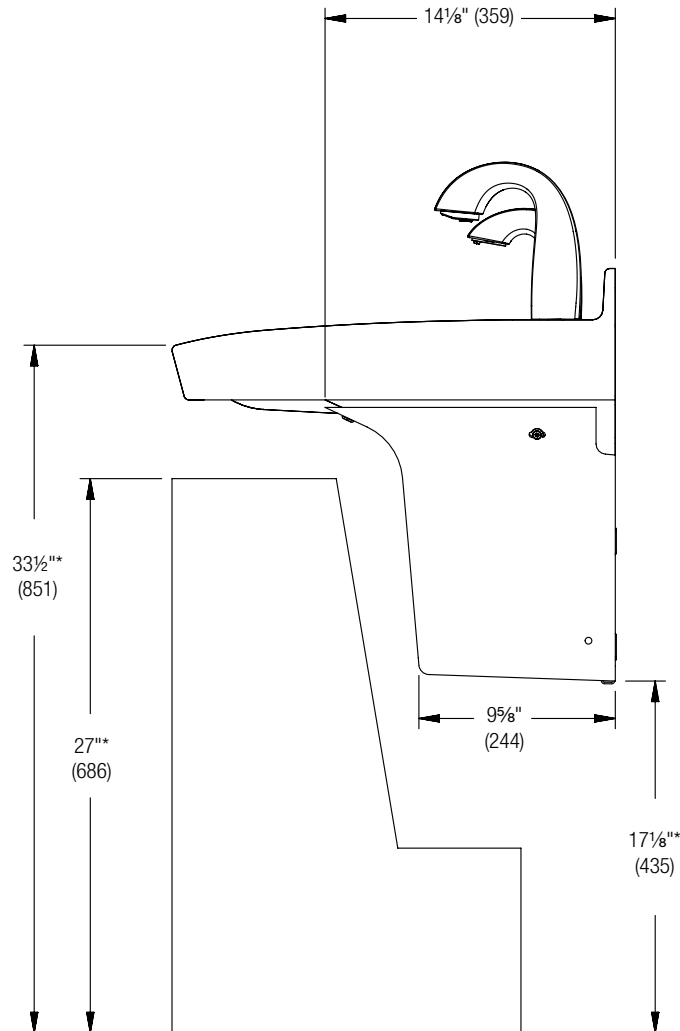




ELX-2 Express® Lavatory System – ELX-Series

Side View (shown with Crestt Series Faucet and Soap)

(mm)



RIM HEIGHT	VERTICAL HEIGHT ADJUSTMENTS	FIXTURE STYLE	NOTES
33½"	No Adjustment	Standard ADA & TAS	At least one basin must meet dimensional requirements and have proper reach, knee, and toe clearance.
30½"	*Subtract 3"	Juvenile ADA & TAS	At least one basin must meet dimensional requirements and have proper reach, knee, and toe clearance.
26"	*Subtract 7½"	Junior	For use by younger children where ADA guidelines are not a concern.



A WATTS Brand

ELX-2 Express® Lavatory System – ELX-Series

Structural Rough-Ins

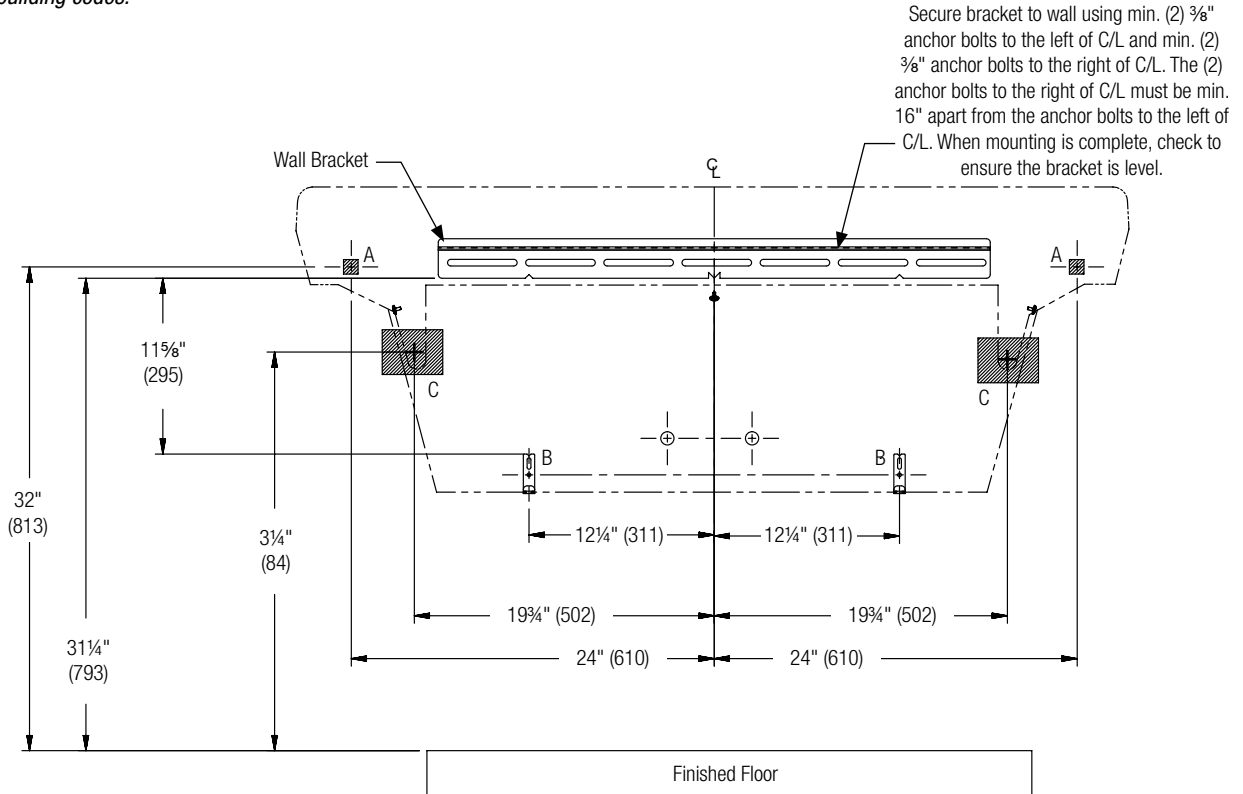
(mm)



Mounting for standard ADA and TAS height shown.



Areas highlighted in gray require sufficient backing compliant with local building codes.



CODE	DESCRIPTION	QTY.
A	Install (1) 3/8" wall anchor with a minimum pull-out force of 1,000 lb per local codes at locations shown	2
B	Install (2) wall anchors per bracket with a minimum pull-out force of 100 lb per local codes at locations shown	4
C	Provide structural backing compliant with local building codes.	2

RIM HEIGHT	VERTICAL HEIGHT ADJUSTMENTS	FIXTURE STYLE
33 1/2"	No Adjustment	Standard ADA & TAS
30 1/2"	Subtract 3"	Juvenile ADA & TAS
26"	Subtract 7 1/2"	Junior



A WATTS Brand

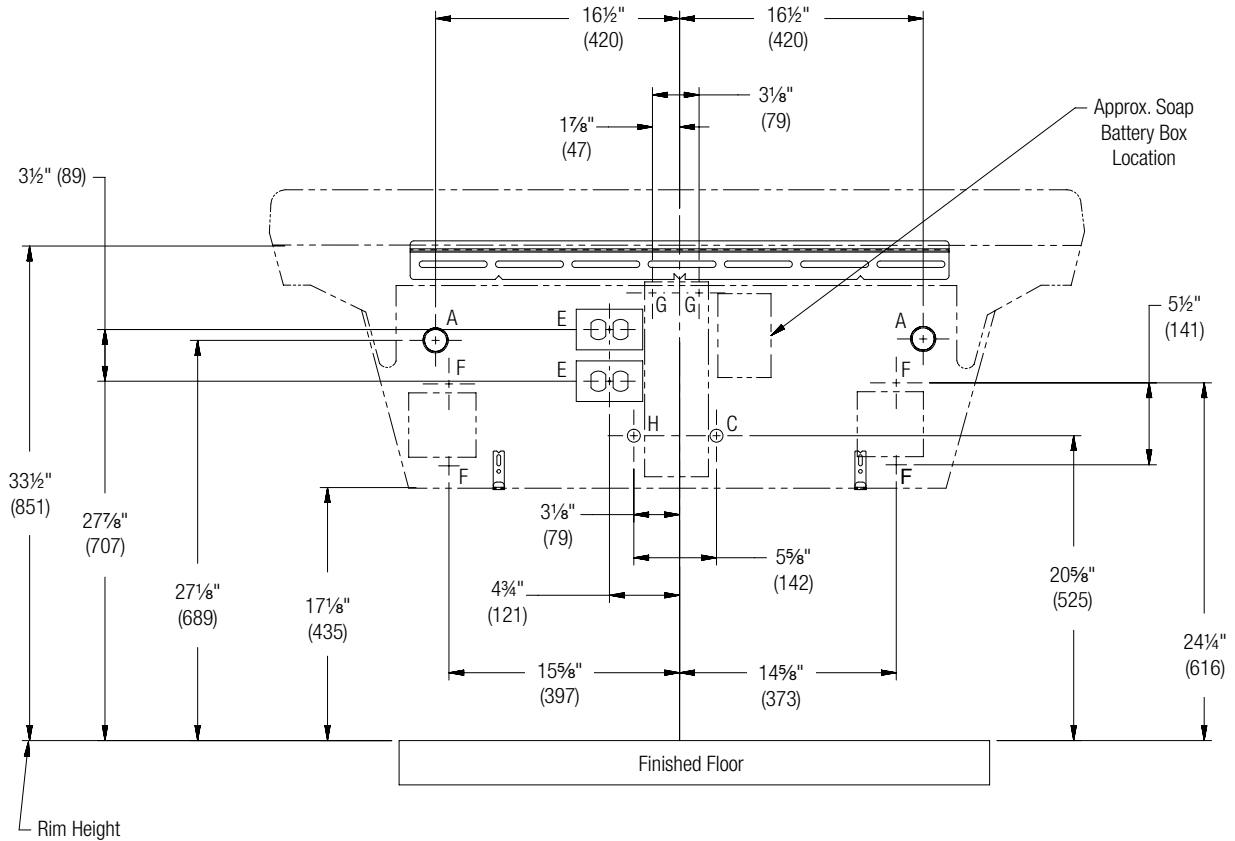
ELX-2 Express® Lavatory System – ELX-Series

Electrical Rough-Ins – Shared Soap

(mm)



Mounting for standard ADA and TAS height shown.



CODE	DESCRIPTION	QTY.
A	1½" NPT Drain, Stub-out 2" from wall, individual waste option	2
H,C	½" Nominal (5/8" O.D. Comp.) Hot/Cold supplies, Stub-out 2" from wall	1
E	110V GFI protected electrical outlet (AC faucet and soap only)	2
F	#10 Anchors for Faucet Control Box Installation	4
G	#10 Anchors for Soap Tank Installation	2



A WATTS Brand

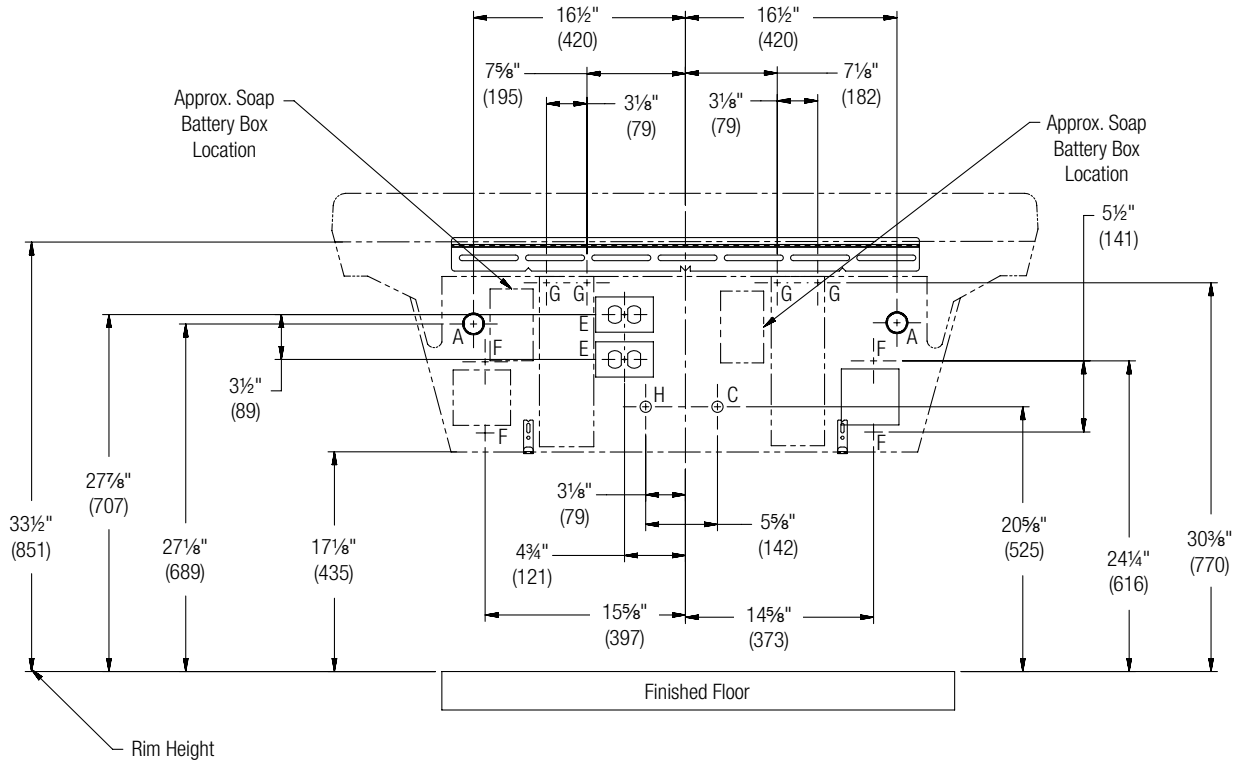
ELX-2 Express® Lavatory System – ELX-Series

Electrical Rough-Ins – Personal Soap

(mm)



Mounting for standard ADA and TAS height shown.



CODE	DESCRIPTION	QTY.
A	1 1/2" NPT Drain, Stub-out 2" from wall, individual waste option	2
H,C	1/2" Nominal (5/8" O.D. Comp.) Hot/Cold supplies, Stub-out 2" from wall	1
E	110V GFI protected electrical outlet (AC faucet and soap only)	2
F	#10 Anchors for Faucet Control Box Installation	4
G	#10 Anchors for Soap Tank Installation	4



ELX-2 Express® Lavatory System – ELX-Series

Electrical Rough-Ins – Combined Waste Option

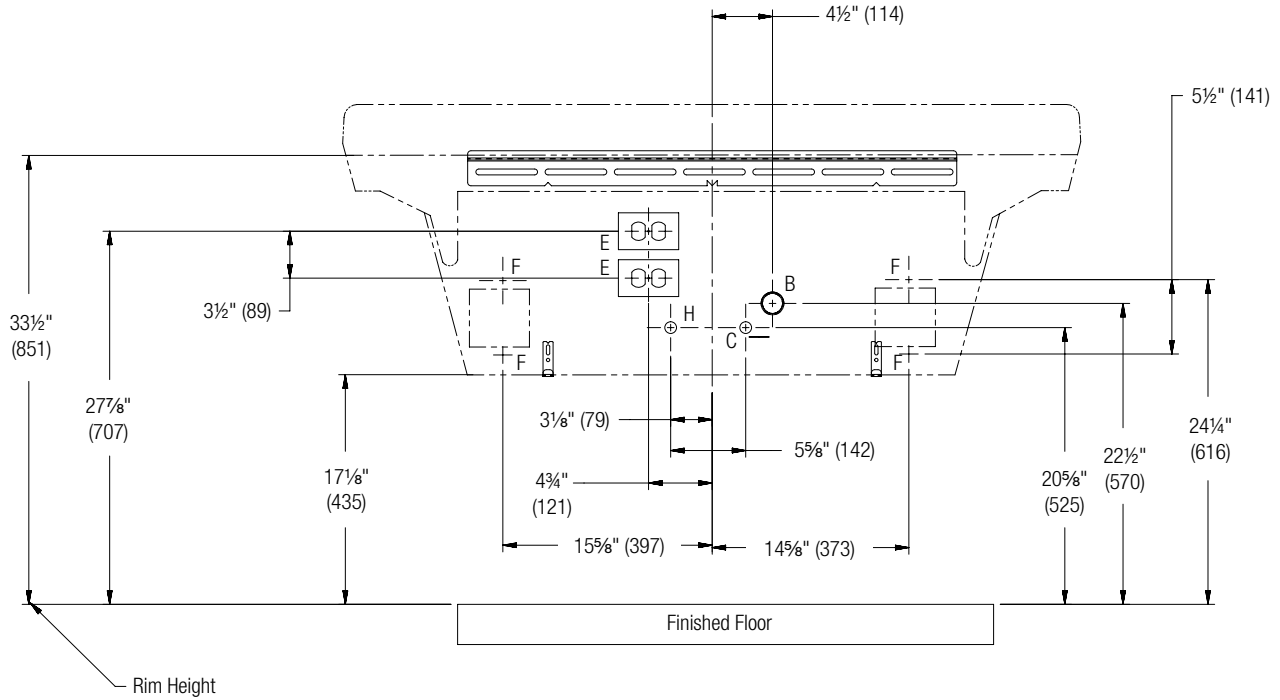
(mm)



Mounting for standard ADA and TAS height shown.



This option is only available with no soap or soap drilling.



CODE	DESCRIPTION	QTY.
B	1½" NPT Drain, Stub-out 2" from wall, combined waste option (waste arms to be cut in field)	2
H,C	½" Nominal (5/8" O.D. Comp.) Hot/Cold supplies, Stub-out 2" from wall	1
E	110V GFI protected electrical outlet (AC faucet and soap only)	2
F	#10 Anchors for Faucet Control Box Installation	4



A WATTS Brand

ELX-2 Express® Lavatory System – ELX-Series

Models (Must select one)	
Model	Description
ELX-2	Express Lavatory System ELX-2
Standard Selections (Must select one from each category)	
Faucet Type (select one)	
S53-3100	Verge Faucet – Crestt Series
S53-3300	Verge Faucet – Metro Series
S53-3500	Verge Faucet – Linea Series
S53-3700	Verge Faucet – Zen Series
S53-3100-P	Verge Faucet – Crestt Series, Includes Trim Plate ‡
S53-3300-P	Verge Faucet – Metro Series, Includes Trim Plate ‡
S53-3500-P	Verge Faucet – Linea Series, Includes Trim Plate ‡
S53-3700-P	Verge Faucet – Zen Series, Includes Trim Plate ‡
4" Set	4" Centerset (1¼" Drilling Only)
SHANK	Centershank (1¼" Drilling Only)
NFD	No Faucet Drilling
Faucet Activation Type (select one)	
R	Touch-Free Activation △
NONE	No Activation ▲
Water Supply Type (select one)	
T	Thermostatic Mixing Assembly (supply hoses and shut-offs included)
L	Single Tempered Line Assembly (supply hoses and shut-offs included)
Flow Control Type△ (select one)	
3	0.35 gpm Silicone Tip, Multiple Individual Laminar Flow Streams
5	0.50 gpm Silicone Tip, Multiple Individual Laminar Flow Streams
Faucet Finish Type△ (select one)	
PC	Polished Chrome
BB	Brushed Black Stainless
BS	Brushed Stainless
BZ	Brushed Bronze
BR	Brushed Brass
BN	Brushed Nickel
Faucet Power Supply (select one)	
AC	AC Power△**
BA	Battery – 4x AA alkaline batteries included per faucet△
NONE	No Power Supply ▲

Soap Dispenser Type (select one)	
6-3100	Verge Deck-Mounted Soap Dispenser – Crestt Series △
6-3300	Verge Deck-Mounted Soap Dispenser – Metro Series △
6-3500	Verge Deck-Mounted Soap Dispenser – Linea Series △
6-3700	Verge Deck-Mounted Soap Dispenser – Zen Series △
SDO	1-3/8" Soap Drilling Only
NSD	No Soap Dispenser/No Drilling
Soap Drilling Location (select one)	
SSD	Shared Soap Drilling (centered between faucets - 1 drilling)
PSD	Personal Soap Drilling (next to each faucet - 2 drillings)
<i>NOTE: Refer to page 2 for soap drilling locations.</i>	
Soap Activation Type (select one)	
R	Touch-Free Activation ◇
NONE	No Activation ◆
Soap Type◇ (select one)	
F	Foam Soap
L	Liquid Soap
Soap Fill System◇ (select one)	
T	Single (top fill at spout)
Soap Dispenser Finish Type◇ (select one)	
PC	Polished Chrome
BB	Brushed Black Stainless
BS	Brushed Stainless
BZ	Brushed Bronze
BR	Brushed Brass
BN	Brushed Nickel
Soap Power Supply (select one)	
AC	AC Power◇**
BA	Battery – 4x D-cell batteries included per dispenser◇
NONE	No Power Supply◆

- ** AC power supply will include either individual AC plug-in adapter or 4-way AC splitter assembly depending on configuration.
- △ Available with faucet selection only.
- ▲ Available with faucet drilling only.
- ◇ Available with soap dispenser selection only.
- ◆ Available with soap drilling only.
- ‡ This color contains large, randomly distributed chips.
- ‡ Trim plate finish will match Faucet Finish for PC, BB & BS. All other faucet finishes will receive a PC trim plate.



A WATTS Brand

ELX-2 Express® Lavatory System – ELX-Series

Standard Selections (Must select one from each category)

Color of Terreon Deck (select one)

NOTE: Click on any swatch to view as a larger image.

Standard Colors

ALP-WHITE	<input type="checkbox"/> Alpine White	PEBBLE	<input type="checkbox"/> Pebble Beach
DRIFT	<input type="checkbox"/> Driftwood †	PEP-WHT	<input type="checkbox"/> Peppered White
DS-WHT	<input type="checkbox"/> Designer White	POLAR	<input type="checkbox"/> Polar Ice †
E-GRAY	<input type="checkbox"/> Empire Gray	RIVER	<input type="checkbox"/> Riverstone
GLACIER	<input type="checkbox"/> Glacier	SAND	<input type="checkbox"/> Sandtrap
GRAPH	<input type="checkbox"/> Graphite	S-CREEK	<input type="checkbox"/> Stone Creek
LANNON	<input type="checkbox"/> LannonStone	S-MIST	<input type="checkbox"/> Silver Mist
MOONSTONE	<input type="checkbox"/> Moonstone †	WHT-SAND	<input type="checkbox"/> White Sand

Backsplash Type (select one)

BS	Integral 2½" Covered Backsplash
NBS	No Backsplash

Access Panel Type (select one)

COAL	Coal
-------------	------

Waste Assembly Type (select one)

CW-CHROME	Chrome-Plated Combined Waste Assembly (1 P-Trap/1 drain connection) ♦
CW-POLY	Polypropylene Combined Waste Assembly (1 P-Trap/1 drain connection) ♦
IW-CHROME	Chrome-Plated Individual Waste Assembly (2 P-Trap/2 drain connections)
IW-POLY	Polypropylene Individual Waste Assembly (2 P-Trap/2 drain connections)
NONE	Waste Assembly by Others

** AC power supply will include either individual AC plug-in adapter or 4-way AC splitter assembly depending on configuration.

△ Available with faucet selection only.

▲ Available with faucet drilling only.

◇ Available with soap dispenser selection only.

♦ Available with soap drilling only.

† This color contains large, randomly distributed chips.

‡ Trim plate finish will match Faucet Finish for PC, BB & BS. All other faucet finishes will receive a PC trim plate.