



SL-T01 SL-Series Terreon® Undermount Basins

- Bowl(s) are constructed of Terreon® or Terreon®RE Solid Surface Material
- Integrate with Terreon Solid Surface counters to create a seamless look
- Available in a variety of colors
- Ideal for commercial handwashing applications
- ADA and ANSI Compliant when mounted at required dimensions

Specifications

Specify on model LD-3010, a prefabricated OmniDeck or as a stand alone basin with countertop material of your choice, including Terreon sheet goods (Model TSA) or other cast polymer material.

Construction

Constructed of Terreon, a densified solid surface material composed of a bio-based resin or TerreonRE, a densified solid surface material composed of a bio-based resin and preconsumer recycled granules. Terreon and TerreonRE are resistant to chemicals, stains, burns and impact. Surface damage can be easily repaired with everyday cleansers or fine grit abrasives. Terreon and TerreonRE are certified to meet Home Innovation Lab certified to meet CSA B45.5/IAPMO Z124. Terreon and TerreonRE are GREENGUARD® certified as low-emitting materials.

Code Compliance and Certifications

ANSI Standards

Terreon and TerreonRE are Home Innovation Lab certified to meet CSA B45.5/IAPMO Z124.

National and International Plumbing Approval

Terreon undermounts are Uniform Plumbing Code (UPC), International Plumbing Code (IPC) and National Plumbing Code of Canada (NPC) approved through the International Association of Plumbing and Mechanical Officials (IAPMO). Manufactured in compliance with IGC 156, CSA B45 Series & ASME A112.18.1/CSA B125.1.

Standard Height Mounting

To comply with ADA, the rim height of the counter or deck, and at least one bowl, must be 34" above the finished floor and must have proper knee and toe clearances. Always review local codes for compliance.

Juvenile Height Mounting

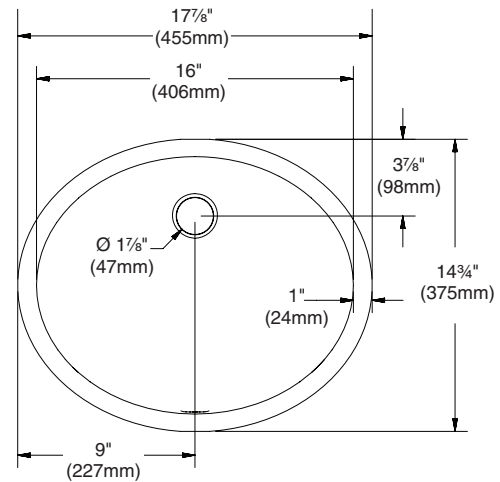
The rim height of the counter or deck must be no higher than 31" above finished floor and must have proper knee and toe clearances in order to comply with ADA Accessibility Guidelines for Building and Facilities: Building Elements Designed for Children's use; Final Rule. Always review local codes for compliance.



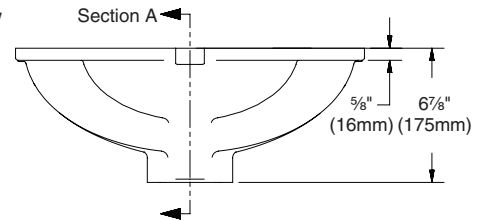
**SL-T01
Oval Undermount Bowl
with Molded Overflow**

SL-T01 Dimensions

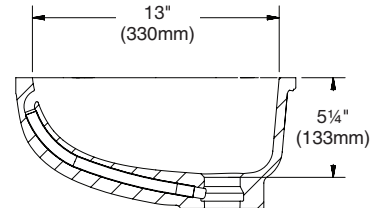
Top View



Side View



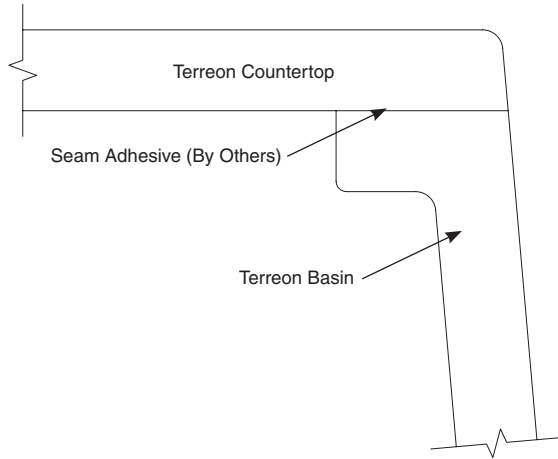
Section A



Verify all rough-in dimensions prior to installation. Consult local and national codes. Conformity and compliance to local and national codes is the responsibility of the installer.



Basin Mounting Method



Color Matching and Installation Considerations

- Basins are to be installed by a licensed fabricator.
- Proper seam, joint integrity and bowl location are the responsibility of the fabricator.
- Fabricator to ensure proper seam adhesive color match between basin and counter.
- Specifications with sheet and basin(s) of the same solid color will require close inspection for acceptable color match before fabrication. Bradley does not guarantee an exact color match between individual sinks and sheets of the same color.
- Prefabricated product available with Bradley model LD-3010

Standard Selections (Must select one from each category) All Undermount Basins are non-cancelable and non-returnable.

Drain Assembly Type

- D-ASSY** Drain Assembly **NONE** None

Color of Terreon Bowl

Solid Colors

- ALP-WHT** Alpine White **LONDON** London Gray
 BONE Bone **O-TAUPE** Organic Taupe
 DS-WHT Designer White

Standard Colors

- AVALANCHE** Avalanche† **MOONSTONE** Moonstone†
 CHAR Charcoal Gray* **PEBBLE** Pebble Beach
 COBBLE Cobblestone **PEP-WHT** Peppered White
 DRIFT Driftwood† **POLAR** Polar Ice†
 DUNE Sand Dune† **SAND** Sandtrap
 E-GRAY Empire Gray **S-CREEK** Stone Creek*
 GLACIER Glacier **S-MIST** Silver Mist
 GRAPH Graphite* **WHT-SAND** White Sand
 LANNON Lannonstone

Designer Colors (available at an additional charge)

- ARC-CHIP** Arctic Chip **COFFEE** Coffee Bean
 RIVER Riverstone*

TerreonRE Colors (available at an additional charge)

- BIRCH-BARK** Birch Bark **MOONDUST** Moondust
 DUSK Dusk* **OAT** Oat

† This color contains large, randomly distributed chips.

* Requires tempered water supply (less than 110°F or 43°C).

Verify all rough-in dimensions prior to installation.
Consult local and national codes. Conformity and compliance to local and national codes is the responsibility of the installer.