



HS-T01 HS-Series Terreon® Undermount Basins

- Bowl(s) are constructed of Terreon® or Terreon®RE Solid Surface Material
- Clean, contemporary lines
- Designed to maximize basin capacity
- Integrate with Terreon Solid Surface counters to create a seamless look
- Available in a variety of colors
- Ideal for healthcare and multipurpose applications
- ADA and ANSI Compliant when mounted at required dimensions

Specifications

Specify on model LD-3010, a prefabricated OmniDeck or as a stand alone basin with countertop material of your choice, including Terreon sheet goods (Model TSA) or other cast polymer material.

Construction

Constructed of Terreon, a densified solid surface material composed of a bio-based resin or TerreonRE, a densified solid surface material composed of a bio-based resin and preconsumer recycled granules. Terreon and TerreonRE are resistant to chemicals, stains, burns and impact. Surface damage can be easily repaired with everyday cleansers or fine grit abrasives. Terreon and TerreonRE are Home Innovation Lab certified to meet CSA B45.5/IAPMO Z124. Terreon and TerreonRE are GREENGUARD® certified as low-emitting materials.

Code Compliance and Certifications

ANSI Standards

Terreon and TerreonRE are Home Innovation Lab certified to meet CSA B45.5/IAPMO Z124.

National and International Plumbing Approval

Terreon undermounts are Uniform Plumbing Code (UPC), International Plumbing Code (IPC) and National Plumbing Code of Canada (NPC) approved through the International Association of Plumbing and Mechanical Officials (IAPMO). Manufactured in compliance with IGC 156, CSA B45 Series & ASME A112.18.1/CSA B125.1.

Standard Height Mounting

To comply with ADA, the rim height of the counter or deck, and at least one bowl, must be 34" above the finished floor and must have proper knee and toe clearances. Always review local codes for compliance.

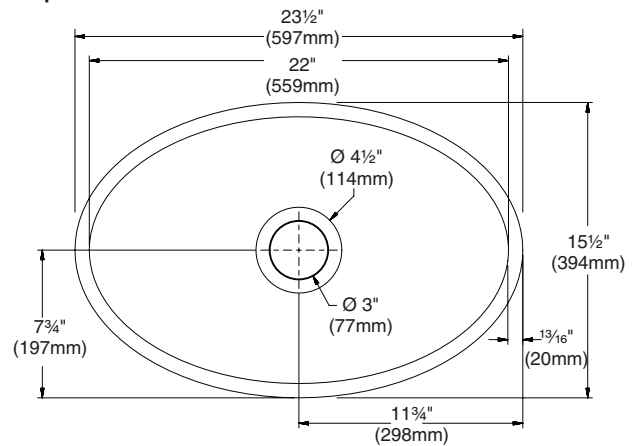
Juvenile Height Mounting

The rim height of the counter or deck must be no higher than 31" above finished floor and must have proper knee and toe clearances in order to comply with ADA Accessibility Guidelines for Building and Facilities: Building Elements Designed for Children's use; Final Rule. Always review local codes for compliance.

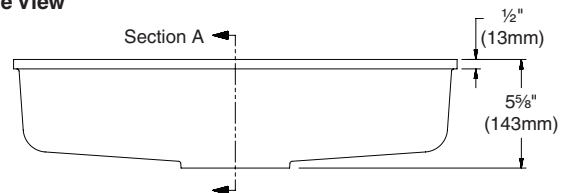


HS-T01 Dimensions

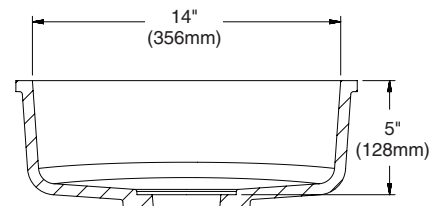
Top View



Side View



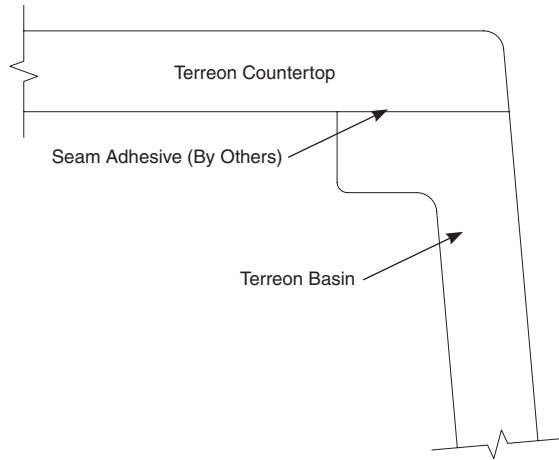
Section A



Verify all rough-in dimensions prior to installation. Consult local and national codes. Conformity and compliance to local and national codes is the responsibility of the installer.



Basin Mounting Method



Color Matching and Installation Considerations

- Basins are to be installed by a licensed fabricator.
- Proper seam, joint integrity and bowl location are the responsibility of the fabricator.
- Fabricator to ensure proper seam adhesive color match between basin and counter.
- Specifications with sheet and basin(s) of the same solid color will require close inspection for acceptable color match before fabrication. Bradley does not guarantee an exact color match between individual sinks and sheets of the same color.
- Prefabricated product available with Bradley model LD-3010

Standard Selections (Must select one from each category)
All Undermount Basins are non-cancelable and non-returnable.

Drain Assembly Type

- D-ASSY** Drain Assembly **NONE** None

Color of Terreon Bowl

Solid Colors

- | | |
|---|---|
| <input type="checkbox"/> ALP-WHT Alpine White | <input type="checkbox"/> LONDON London Gray |
| <input type="checkbox"/> BONE Bone | <input type="checkbox"/> O-TAUPE Organic Taupe |
| <input type="checkbox"/> DS-WHT Designer White | |

Standard Colors

- | | |
|--|--|
| <input type="checkbox"/> AVALANCHE Avalanche† | <input type="checkbox"/> MOONSTONE Moonstone† |
| <input type="checkbox"/> CHAR Charcoal Gray* | <input type="checkbox"/> PEBBLE Pebble Beach |
| <input type="checkbox"/> COBBLE Cobblestone | <input type="checkbox"/> PEP-WHT Peppered White |
| <input type="checkbox"/> DRIFT Driftwood† | <input type="checkbox"/> POLAR Polar Ice† |
| <input type="checkbox"/> DUNE Sand Dune† | <input type="checkbox"/> SAND Sandtrap |
| <input type="checkbox"/> E-GRAY Empire Gray | <input type="checkbox"/> S-CREEK Stone Creek* |
| <input type="checkbox"/> GLACIER Glacier | <input type="checkbox"/> S-MIST Silver Mist |
| <input type="checkbox"/> GRAPH Graphite* | <input type="checkbox"/> WHT-SAND White Sand |
| <input type="checkbox"/> LANNON Lannonstone | |

Designer Colors (available at an additional charge)

- | | |
|--|--|
| <input type="checkbox"/> ARC-CHIP Arctic Chip | <input type="checkbox"/> COFFEE Coffee Bean |
| <input type="checkbox"/> RIVER Riverstone* | |

TerreonRE Colors (available at an additional charge)

- | | |
|---|---|
| <input type="checkbox"/> BIRCH-BARK Birch Bark | <input type="checkbox"/> MOONDUST Moondust |
| <input type="checkbox"/> DUSK Dusk* | <input type="checkbox"/> OAT Oat |

† This color contains large, randomly distributed chips.

* Requires tempered water supply (less than 110°F or 43°C)

Verify all rough-in dimensions prior to installation.
Consult local and national codes. Conformity and compliance to local and national codes is the responsibility of the installer.