



2498, 2499

Electronic Roll Towel Dispenser

**Model 2498 — Surface-Mounted Electronic Roll Towel Dispenser with Sensor Activation, Plastic *Bradex*<sup>®</sup>**

**Model 2499 — Surface-Mounted Electronic Roll Towel Dispenser with Sensor Activation, Stainless Steel *Bradex*<sup>®</sup>**

**Product Materials**

**MODEL 2498:** Back and cover constructed of ABS high-impact material.

**MODEL 2499:** Back constructed of ABS high-impact material. Cover is 304 stainless steel.

**UNIVERSAL MODULE:** Constructed of ABS high-impact material.

**Capacity**

Dispenses non-perforated, universal paper roll towels up to 8¼" in diameter and 8" wide with core sizes from 1½"-2" (maximum 1000' roll). Dispenser also allows for 3½" diameter stub roll.

**Operation**

Towels are dispensed automatically when hands are naturally positioned below the hand wave icon located near the center/bottom of cover. Sensing range can be set to 3" or 6". Paper can be exposed or concealed. Sensor delay can be immediate (0 seconds), 1 second, or 2 seconds. Paper length can be set to 9", 12", or 15". Operates with 4 "D" size alkaline batteries. Batteries are not included. Primary roll can be manually transitioned to stub roll position once the diameter is under 3½". Once stub is depleted, the new primary roll is automatically used. Activation and low battery indicator. Manual PUSH lever is centered under the unit for manually dispensing towels.

**Installation**

Verify all rough-in dimensions prior to installation. Secure to wall using convenient mounting slots and use appropriate mounting devices supplied by installer.

Model 2498 fits inside Models 2A02 and 2A25.

**Guide Specification**

Dispenser housing is fabricated from durable high impact material. The cover shall be fabricated from opaque high impact ABS or stainless steel.

Dispenser shall have a sensor-operated towel dispensing mechanism. The sensor is to be located at a place below the dispenser for natural hand position towel activation and retrieval. Dispenser will be provided with a keyed alike tumbler lock. Dispenser shall have a primary roll that can be manually transferred to the stub roll position once the diameter is under 3½". Once the stub roll is depleted, the new primary roll automatically dispenses. The front covers and towel arms shall be field replaceable.

**Overall dimensions: 12¼" W x 15⅝" H x 9⅜" D.**

Orders composed of products indicated as *Bradex*<sup>®</sup> will be available to ship in three days after receipt of order at the factory. There is no pricing penalty for this service from Bradley.



**Product Compliance**

- ADA compliant when installed per guidelines



**Service Parts Available**

Description	Part No.
Replacement Cover, Plastic	P10-767
Replacement Cover, Stainless Steel	P10-773
Lock/Key/Nut Assembly	P10-772
AC Adapter and Cable Assembly	A16-013
Replacement Towel Arms w/Cups	P10-774

**Compatible Bradley Products**

- [2A02 Towel Dispenser](#)
- [2A25 Towel Dispenser/Waste Receptacle](#)

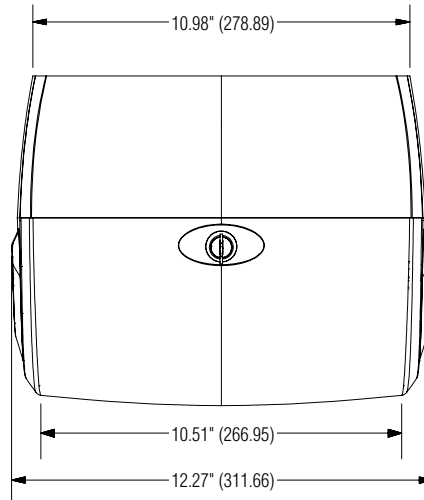
Covered by one or more of the following patents: 10,791,884; D862109; and D854347. Other patents pending.



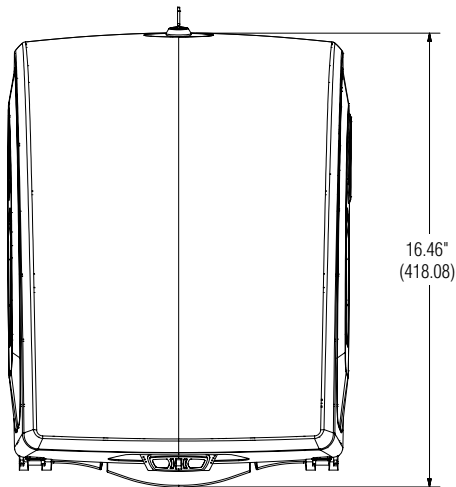
## Dimensions

(mm)

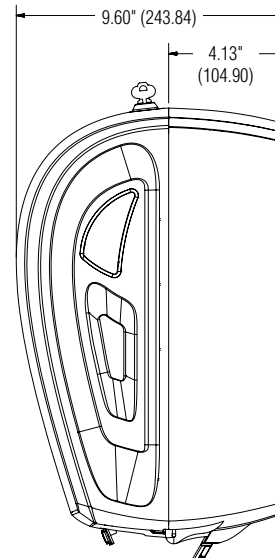
Top View



Front View



Side View



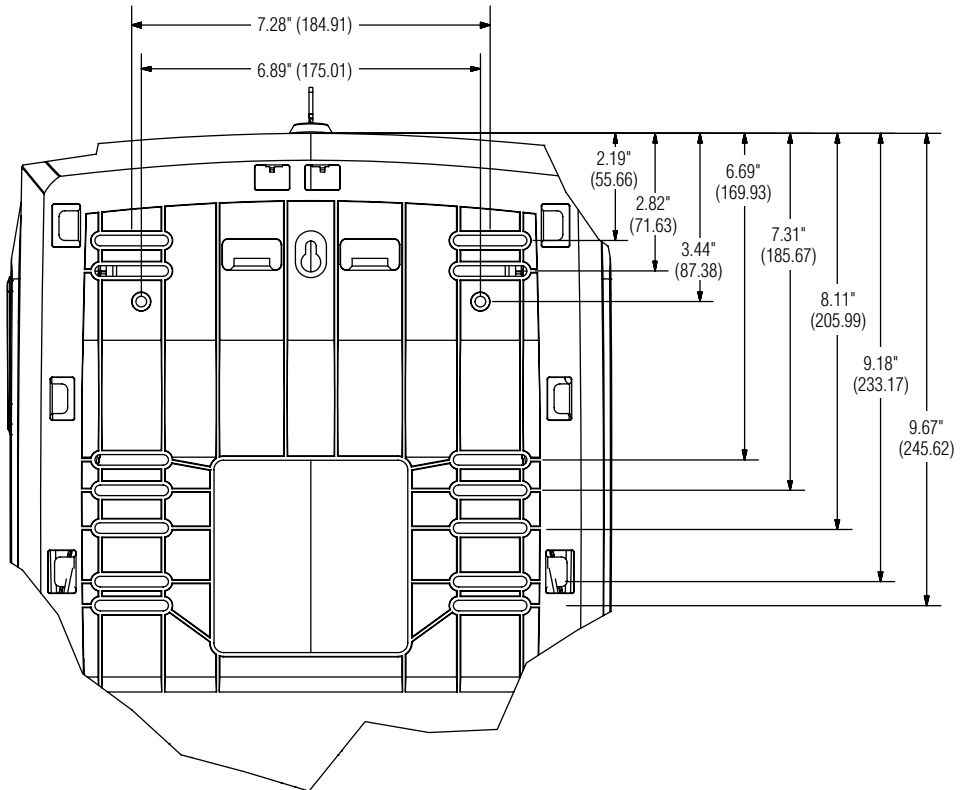
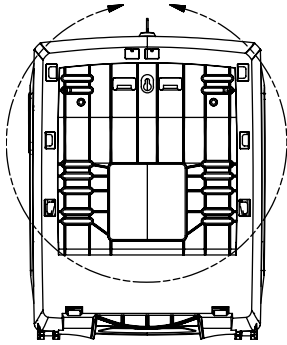
Orders composed of products indicated as **Bradex**® will be available to ship in three days after receipt of order at the factory. There is no pricing penalty for this service from Bradley.



Dimensions

(mm)

Front View – Inside of Dispenser



Orders composed of products indicated as **Bradex**® will be available to ship in three days after receipt of order at the factory. There is no pricing penalty for this service from Bradley.