



COL-6C 6-Person Column Showers

- One Set of Supply Connections Required for Six Stations
- Preassembled, Complete with Drain Fitting

Specifications

Materials

All exposed parts are type 304 stainless steel or polished chrome-plated brass. Valve manifold is cast brass. Drain fitting is cast iron and supply inlets are copper tubing.

Standard Equipment

Column Shower

Constructed of type 304 stainless steel. Column and column cap are 16 gauge, and base flange is 13 gauge. Access panel located near bottom of column. Each station on column shower equipped with a stainless steel soap tray.

Valve Type as Selected

For more information on each valve type, please enter the model number in the search box at www.bradleycorp.com.

Flow Control

A 1.5 GPM (5.7 LPM) flow control is standard. Actual flow may vary, but will not exceed 2.0 GPM (7.6 LPM) max.

Drain Fitting

Cast iron with five stainless steel mounting bolts.

Supply Inlets

Constructed of 3/4" type "L" copper tubing.

Optional Privacy Compartments

Partitions

Fabricated of 20 gauge 300 series stainless steel sheets polished to a #4 finish. Sandwich type construction with waterproof cores securely bonded between sheets. Partitions are secured to posts with 14 gauge type 300 stainless steel stirrups and stainless steel screws.

Posts

Fabricated 18 gauge 1-1/4" square x 80" stainless steel tubing. Post is secured to floor with an expansion anchor and a concealed foot angle which allows plus or minus 1/2" vertical adjustment.

Curtains

Curtain rails fabricated of 300 series #4 finish stainless steel cylindrical tubing. Curtain hooks are steel wire with a zinc chromate finish. Curtains are 60" W x 74" H and fabricated of heavy gauge translucent vinyl with hemmed edges and aluminum grommet reinforced eyelets.

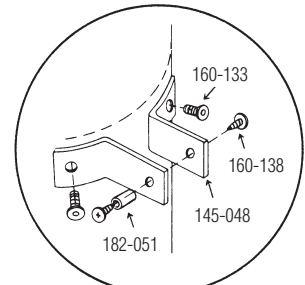
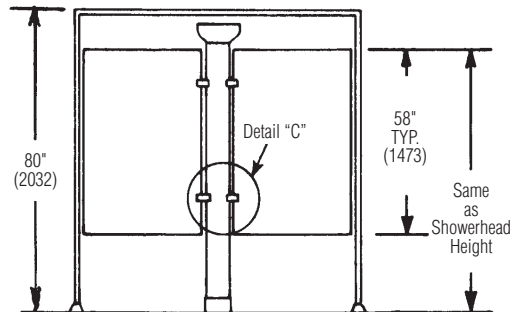
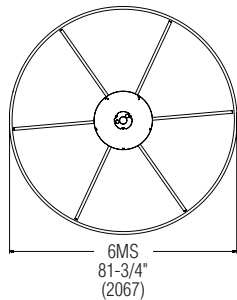
Hardware

All exposed fasteners are vandal-proof stainless steel. Post shoes are anodized aluminum and finished to match stainless steel.



6-Person Multi-Stall Dimensions

(mm)



Detail "C"



Model No. (select one)
 COL-6C 6-Person Column Shower

Standard Selections (Must select one from each category)

Drain Type (select one)
 A Off-line vent with supplies from below
 B Centrally rising vent with supplies from above
 H Centrally rising vent with supplies from below
 O Off-line vent with supplies from above

Showerhead Height (select one)
 6'-0" Standard Height
 5'-6" Juvenile Height

Valve Type (select one)
Hot/Tempored and Cold Supplies
 EF Equa-Flo Pressure Balancing Valve
 HD Equa-Flo HD Pressure Balancing Valve
 TMV Thermostatic Mixing Valve
 HC Hot and Cold Compression Valve*
Single Tempored/Cold Supply
 AST Air Pushbutton
 SV Single Compression Valve
 TTPA TouchTime Pushbutton**
 TTPB TouchTime Piezo Switch**

Showerhead Type
 S15 Standard Showerhead (Flow Rate = 1.5 GPM/5.7 LPM)
 SX15 Severe Service Showerhead (Flow Rate = 1.5 GPM/5.7 LPM)
 S20 Standard Showerhead (Flow Rate = 2.0 GPM/7.6 LPM)
 SX20 Severe Service Showerhead (Flow Rate = 2.0 GPM/7.6 LPM)
 SF Deluxe Showerhead w/ Ball Joint (Flow Rate = 1.5 GPM/5.7 LPM)
 ES Economy Soft Flow w/ Ball Joint (Flow Rate = 2.0 GPM/7.6 LPM)
 J Multi-Jet Showerhead w/ Ball Joint (Flow Rate = 1.5GPM/5.7 LPM)
 LX Luxury Showerhead w/ Ball Joint (Flow Rate = 1.5GPM/5.7 LPM)
 B Axis Showerhead w/ Ball Joint (Flow Rate = 1.5GPM/5.7 LPM)

Optional Selections

Volume Control Type (select one)†
 AKV Allen Key Volume Control
 LHV Lever Handle Volume Control
 NONE No Volume Control

Ball Joint Type (select one)†
 LBJ Lockable Ball Joint
 NONE No Ball Joint

Supply Stop Type (select one)
 ST Stops in Supplies
 NONE No Supply Stops

Drain Variant Type (select one)
 D Standard Drain
 DG Dome Grate Drain
 LD Less Drain

Column Drain Slot Type (select one)
 WS With Column Drain Slots
 LS Less Column Drain Slots*

Clamping Ring Type (select one)‡
 CR Clamping Ring for Flashing
 NONE No Clamping Ring for Flashing

Flange Anchor Type (select one)
 FAK Flange Anchor Kit
 NONE No Flange Anchor Kit

Shroud Type (select one)
 SH Telescoping Shroud (floor to ceiling height _____ ft. _____ in.)*
 NONE No Shroud

Multi-Stall Partition Type (select one)
 MS Multi-Stall Partitions - 6 Person Column
 NONE No Multi-Stall Partitions

Multi-Stall Curtain Type (select one)
 CN Standard Curtain
 HR Herculite Curtain
 NONE No Multi-Stall Curtain

Multi-Stall Roller Hook Type (select one)
 RH Roller Hooks
 NONE No Multi-Stall Roller Hook

Multi-Stall Robe Hook Type (select one)
 BH Robe Hook
 NONE No Multi-Stall Robe Hook

*Non-cancelable, non-returnable

**TTPA and TTPB valves require a low-voltage UL/CSA listed 120VAC/12VDC plug-in adapter.

† Only available on S15 and S20 showerheads.

‡ Only available with Drain Variation D or DG.

§ For corner mounted column showers.

Verify all rough-in dimensions prior to installation.

Consult local and national codes: conformity and compliance to local and national codes is the responsibility of the installer.

2.5 GPM showerhead flow rate does not meet California Energy Commission 20 CCR T.20, Div. 2, 1601-1609

Drain Variations

See Document No. 5140 for drain rough-ins and column installation instructions.

