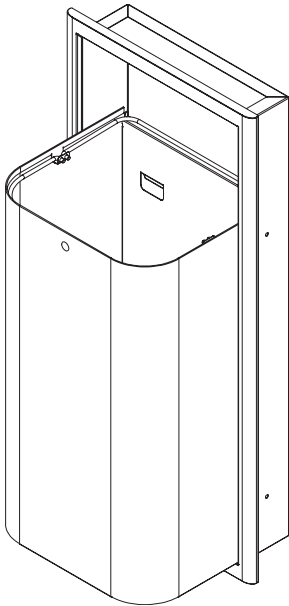


Installation and Maintenance Guide



Elvari™ Waste Receptacles, Recessed & Semi-Recessed

3B1 Series

Table of Contents

Safety Information	2
Dimensions.....	2-3
Installing Small Capacity Waste Receptacles.....	4
Installing Medium & Large Capacity Waste Receptacles.....	5
Cleaning and Maintenance.....	6



[Scan or click code to view
Installation Guide \(English\)](#)



[Scan or click code to view
Installation Guide \(French\)](#)



[Scan or click code to view
Installation Guide \(Spanish\)](#)



**Read the instructions in this manual before beginning installation.
Save these instructions and refer to them for operation and maintenance information.**

For questions regarding the operation, installation, or maintenance of this product, visit bradleycorp.com or call 800.BRADLEY (800.272.3539).
Product warranties and parts information may also be found under “Resources” on our website at bradleycorp.com.



Safety Information

WARNING

The waste receptacles are no stronger than the anchors and walls to which they are attached, and therefore, must be firmly secured in order to support the intended load requirements. To avoid potential injury, the building owner or maintenance personnel should remove the waste receptacle from service if the mounting is not adequately secured to the wall or if there are any observed product defects.

IMPORTANT

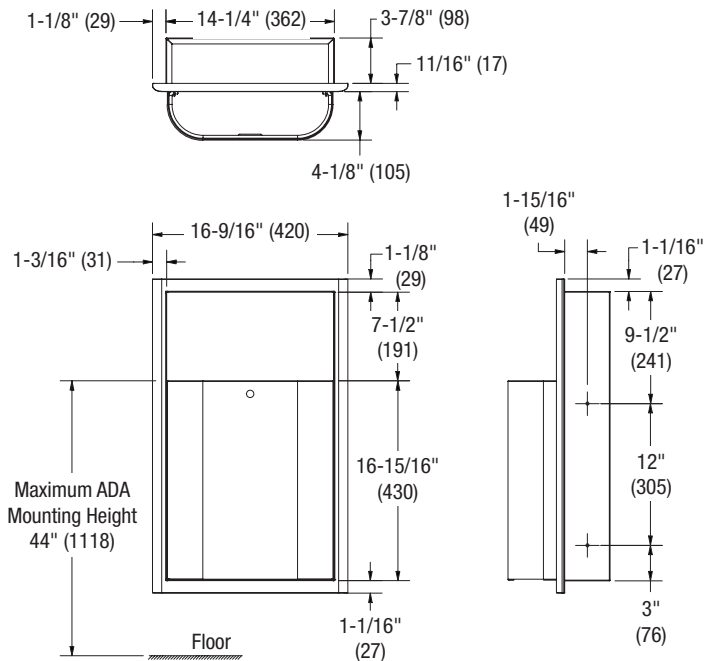
Read this entire installation manual to ensure proper installation. When installation is complete, file this manual with the owner or maintenance department. Compliance and conformity to local codes and ordinances is the responsibility of the installer.

Separate parts from packaging and make sure all parts are accounted for before discarding any packaging material. If any parts are missing, do not begin installation until you obtain the missing parts.

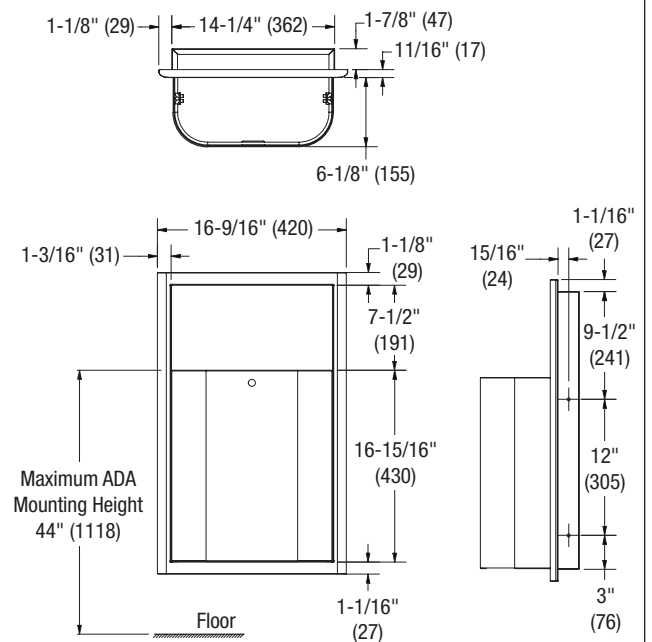
Dimensions

(mm)

Small Capacity – Recessed



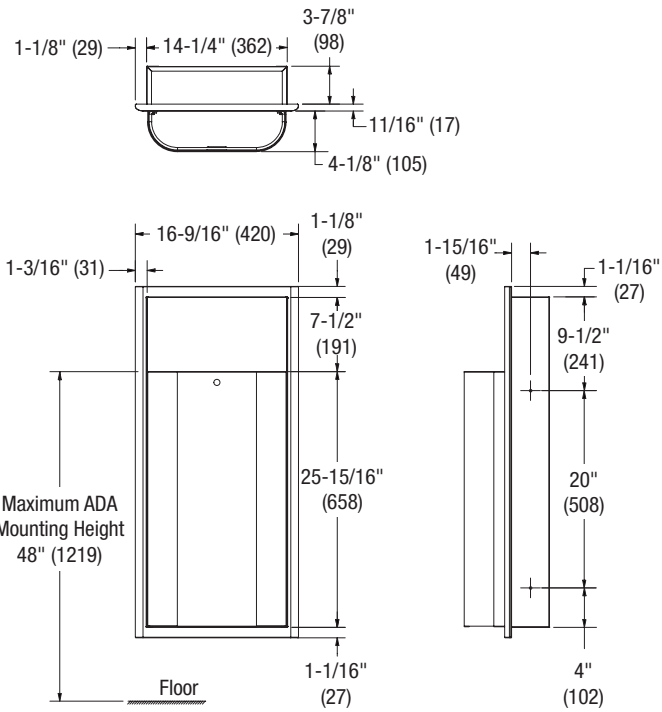
Small Capacity – Semi-Recessed



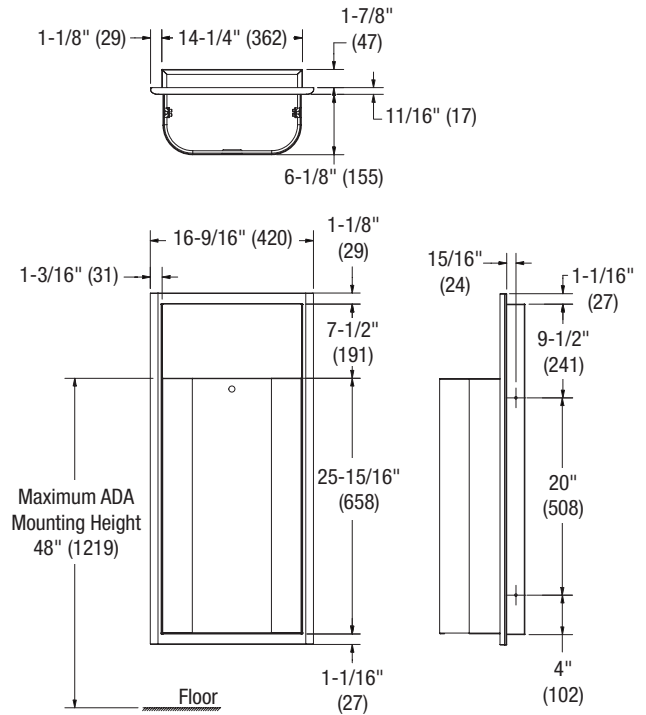
Dimensions

(mm)

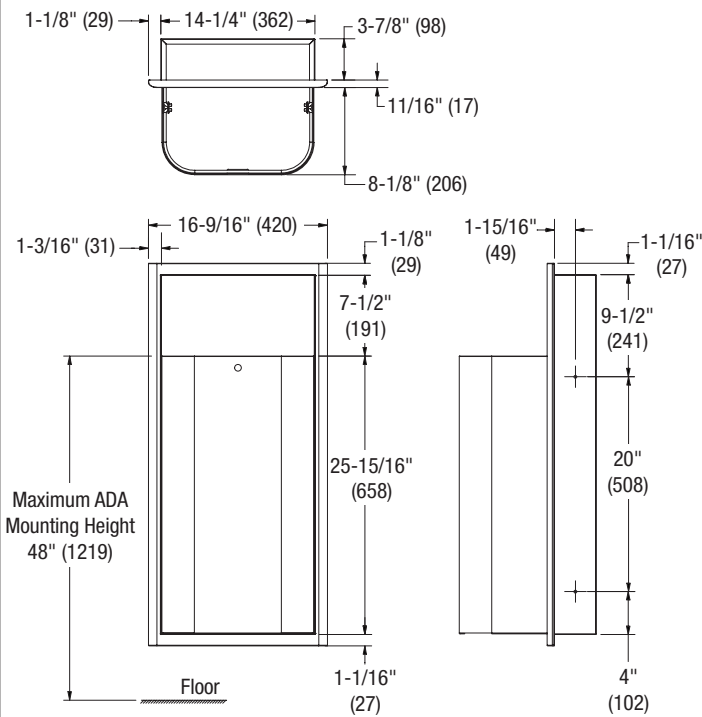
Medium Capacity – Recessed



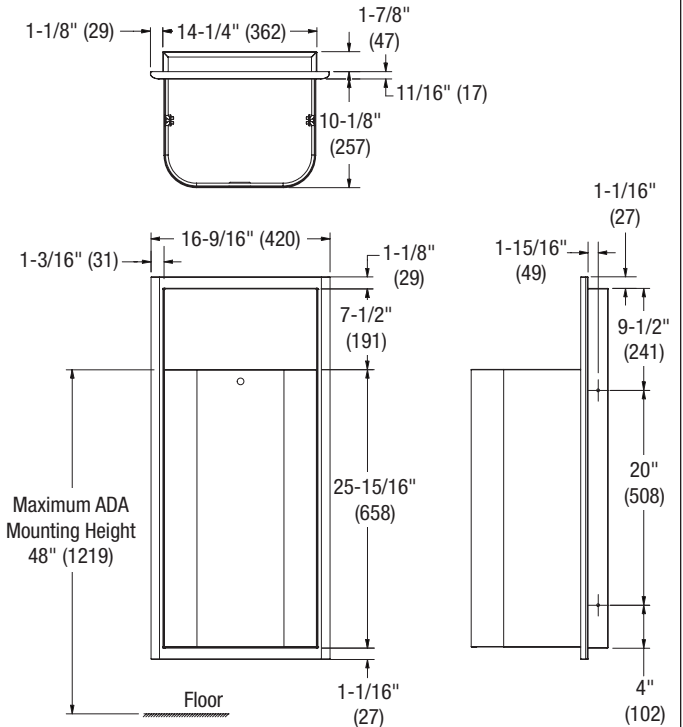
Medium Capacity – Semi-Recessed



Large Capacity – Recessed



Large Capacity – Semi-Recessed



Installing Small Capacity Waste Receptacles



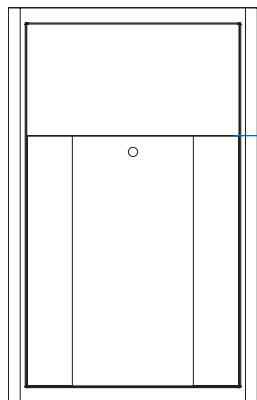
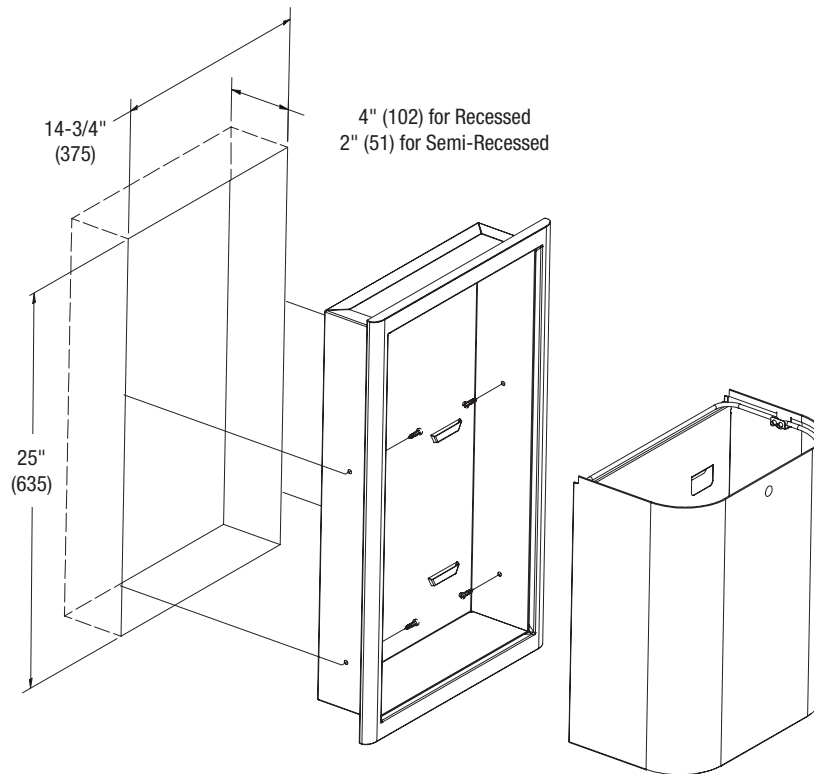
Coordinate installation with architect and contractor to avoid protrusion from opposite wall or pipes, vents, conduits, electrical wiring, etc., in wall.

Follow all applicable local building codes. If installing where unit projects above top of wainscot, provide aluminum channel or other filler to prevent gap from finished wall and flange of unit. For block walls, use metal expansion shields (not included).

A Drill the top and bottom mounting holes and set the anchors (not included) per the mounting hole locations shown in the side view illustrations on page 2.

C Slide the waste receptacle down into the mounting louvers.

B Insert screws into the top and bottom mounting holes and fully tighten.



Dim. "A" to finished floor

Dim. "A" Key Surface:	For Dim. "A"	Top of Rough Wall Opening	Bottom of Rough Wall Opening
Waste receptacle top lip to finished floor	36" (914)	43-15/16" (1116)	18-15/16" (481)
	32" (813)	39-15/16" (1015)	14-15/16" (380)
	28" (711)	35-15/16" (913)	10-15/16" (278)

Installing Medium & Large Capacity Waste Receptacles



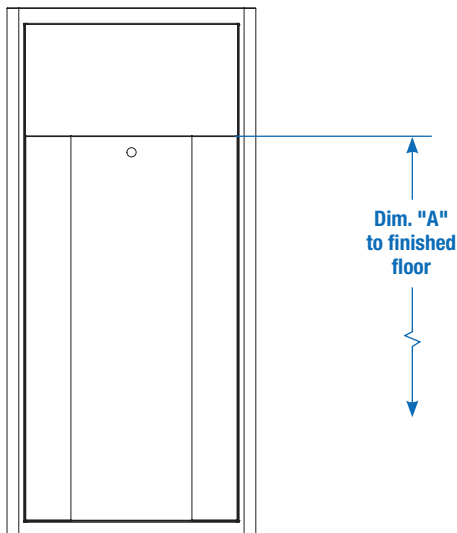
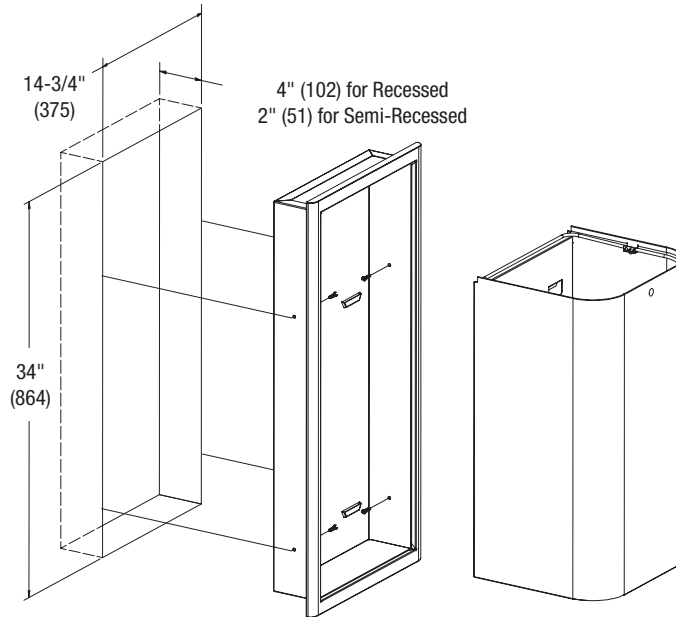
Coordinate installation with architect and contractor to avoid protrusion from opposite wall or pipes, vents, conduits, electrical wiring, etc., in wall.

Follow all applicable local building codes. If installing where unit projects above top of wainscot, provide aluminum channel or other filler to prevent gap from finished wall and flange of unit. For block walls, use metal expansion shields (not included).

A Drill the top and bottom mounting holes and set the anchors (not included) per the mounting hole locations shown in the side view illustrations on 3.

C Slide the waste receptacle down into the mounting louvers.

B Insert screws into the top and bottom mounting holes and fully tighten.



Dim. "A" Key Surface:	For Dim. "A"	Top of Rough Wall Opening	Bottom of Rough Wall Opening
Waste receptacle top lip to finished floor	36" (914)	43-15/16" (1116)	9-15/16" (253)
	32" (813)	39-15/16" (1015)	5-15/16" (151)
	28" (711)	35-15/16" (913)	1-15/16" (49)

Cleaning and Maintenance

Cleaning Stainless Steel

Scan or click the QR code below to view the Stainless Steel Washroom Accessories document.

