

Installation and Maintenance Guide

Elvari™ Combination Units, Surface-Mounted

2B5 Series

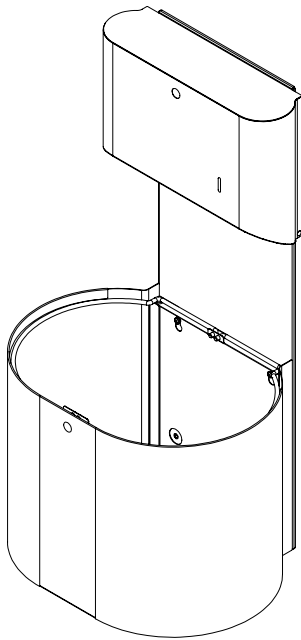


Table of Contents

Safety Information	2
Dimensions.....	2-3
Installing the Combination Unit.....	4
Maintenance and Cleaning.....	4



[Scan or click code to view
Installation Guide \(English\)](#)



[Scan or click code to view
Installation Guide \(French\)](#)



[Scan or click code to view
Installation Guide \(Spanish\)](#)



**Read the instructions in this manual before beginning installation.
Save these instructions and refer to them for operation and maintenance information.**

For questions regarding the operation, installation, or maintenance of this product, visit bradleycorp.com or call 800.BRADLEY (800.272.3539).
Product warranties and parts information may also be found under “Resources” on our website at bradleycorp.com.



Safety Information

WARNING

The combination units are no stronger than the anchors and walls to which they are attached, and therefore, must be firmly secured in order to support the intended load requirements. To avoid potential injury, the building owner or maintenance personnel should remove the combination unit from service if the mounting is not adequately secured to the wall or if there are any observed product defects.

IMPORTANT

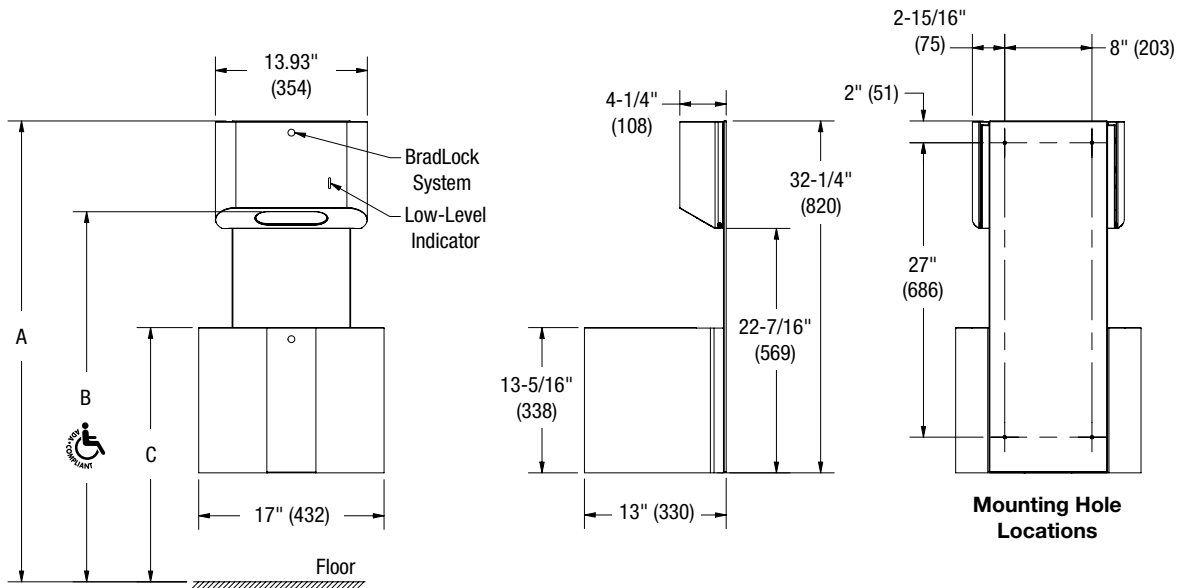
Read this entire installation manual to ensure proper installation. When installation is complete, file this manual with the owner or maintenance department. Compliance and conformity to local codes and ordinances is the responsibility of the installer.

Separate parts from packaging and make sure all parts are accounted for before discarding any packaging material. If any parts are missing, do not begin installation until you obtain the missing parts.

Dimensions

(mm)

Small Capacity



Combination Unit Capacity	Dim "A" (mm)	Dim "B" (mm)	Dim "C" (mm)
Small	54-5/16" (1379)	46" ¹ (1168)	35-1/4" (896)
Medium	61-5/16" (1577)	46" ¹ (1168)	33" (838)
Large	68-9/16" (1741)	46" ¹ (1168)	32-5/16" (836)

¹ ADA compliant 

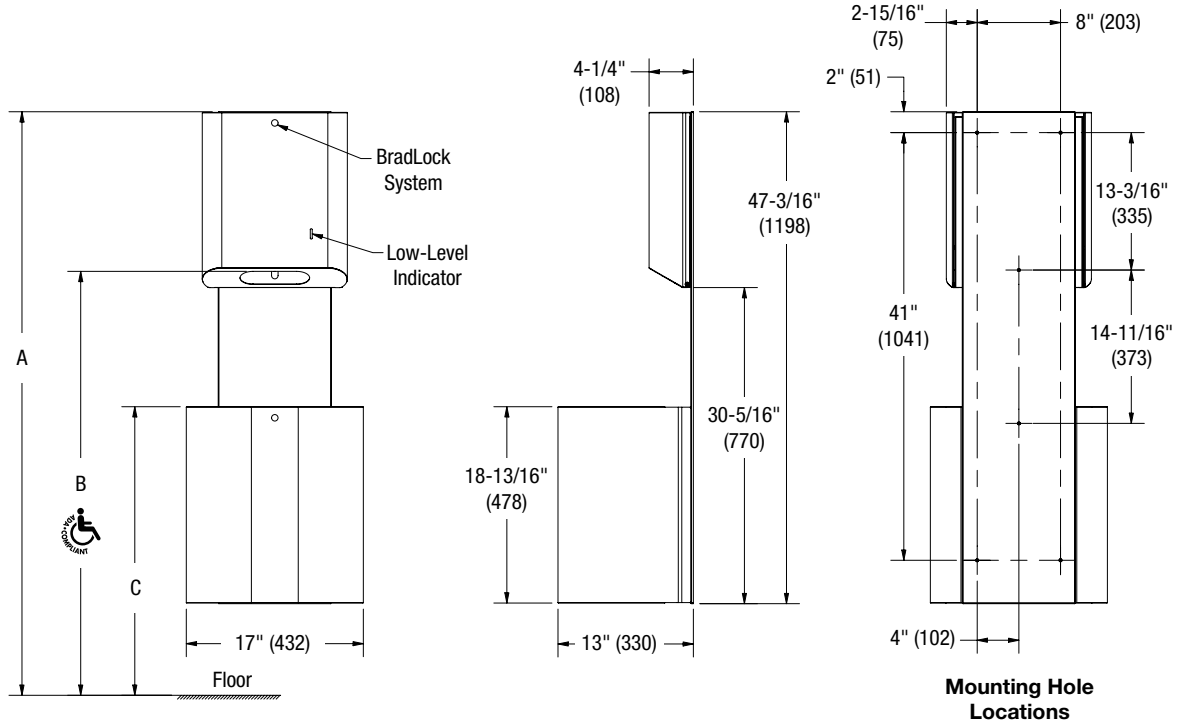
Dimensions

(mm)

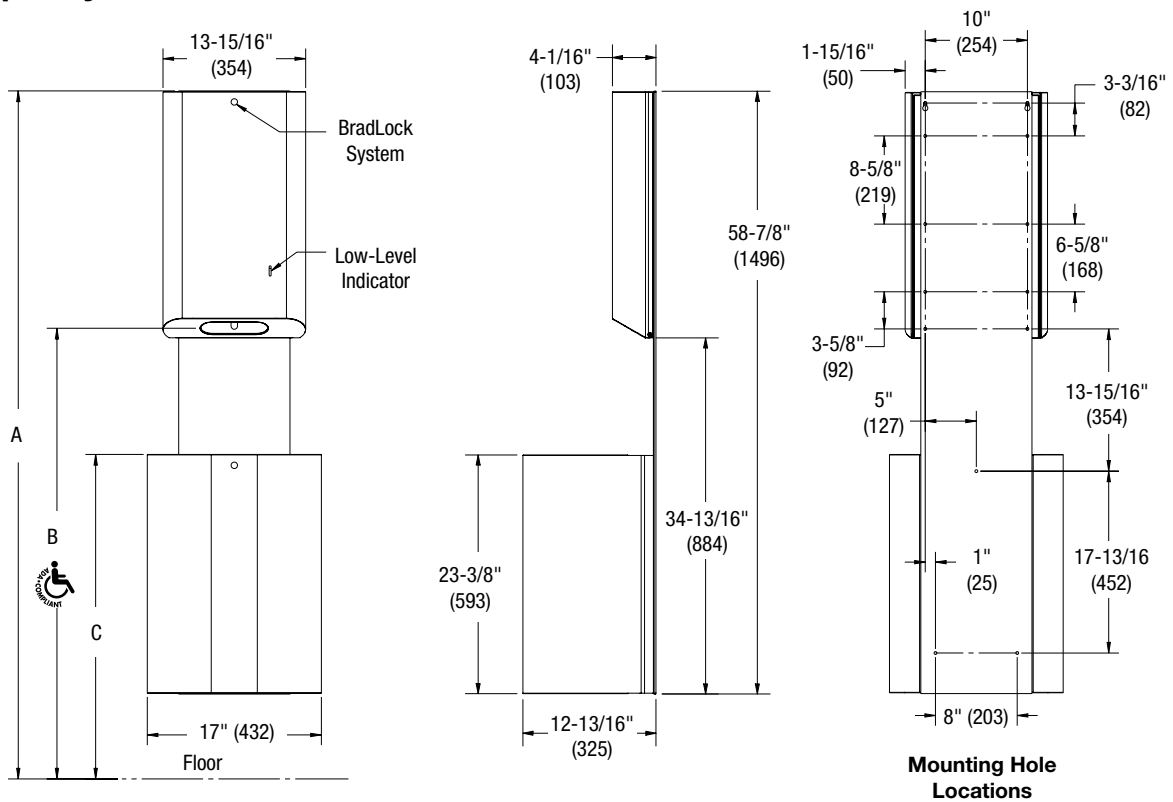


Refer to the table on page 2 for dimensions A, B & C.

Medium Capacity



Large Capacity



Installing the Combination Unit (Small & Medium Capacity)



Coordinate installation with architect and contractor to avoid protrusion from opposite wall or pipes, vents, conduits, electrical wiring, etc., in wall.

Follow all applicable local building codes. If installing where unit projects above top of wainscot, provide aluminum channel or other filler to prevent gap from finished wall and flange of unit. For block walls, use metal expansion shields (not included).

A

Drill the mounting holes for the mounting plate per the mounting hole locations shown in the illustrations on the previous pages (4 holes – small capacity, 6 holes – medium capacity).

C

Use the supplied washers and nuts to secure the towel dispenser and waste receptacle onto the mounting plate threaded studs.

B

Insert screws into the mounting plate to secure mounting plate to the mounting surface.

Installing the Combination Unit (Large Capacity)



Coordinate installation with architect and contractor to avoid protrusion from opposite wall or pipes, vents, conduits, electrical wiring, etc., in wall.

Follow all applicable local building codes. If installing where unit projects above top of wainscot, provide aluminum channel or other filler to prevent gap from finished wall and flange of unit. For block walls, use metal expansion shields (not included).

A

Drill the mounting holes for the mounting plate per the mounting hole locations shown in the illustrations on the previous pages (13 holes – large capacity). Insert screws about halfway into the two top mounting holes.

B

Hang the mounting plate (using the keyholes) onto the top two screws.

C

Open the towel dispenser cover.

1. Place the magnetic key on the Bradley logo and slightly push to disengage the lock.
2. With the magnetic key still on the logo, pull the cover slightly to open the dispenser. Be certain to always support the cover by hand while opening and closing the dispenser. For model 2B1-113600, the cover will stop shortly after disengaging the lock and pulling back. To open fully, push the cover slightly forward and disengage the retaining hooks inside of the cover (left and right sides). After disengaging the retaining hooks, the cover can be fully opened.
3. Leave the magnetic key on the Bradley logo.

D

Hang the towel dispenser (using the keyholes) onto the top two screws.

E

Fully tighten the top two screws. Insert screws through the mounting plate and towel dispenser (10 holes including keyholes) to secure the upper portion of the unit to the mounting surface. Insert screws through the mounting plate (3 holes) to secure the lower portion of the unit to the mounting surface.

F

Use the supplied washers and nuts to secure the waste receptacle onto the mounting plate threaded studs.

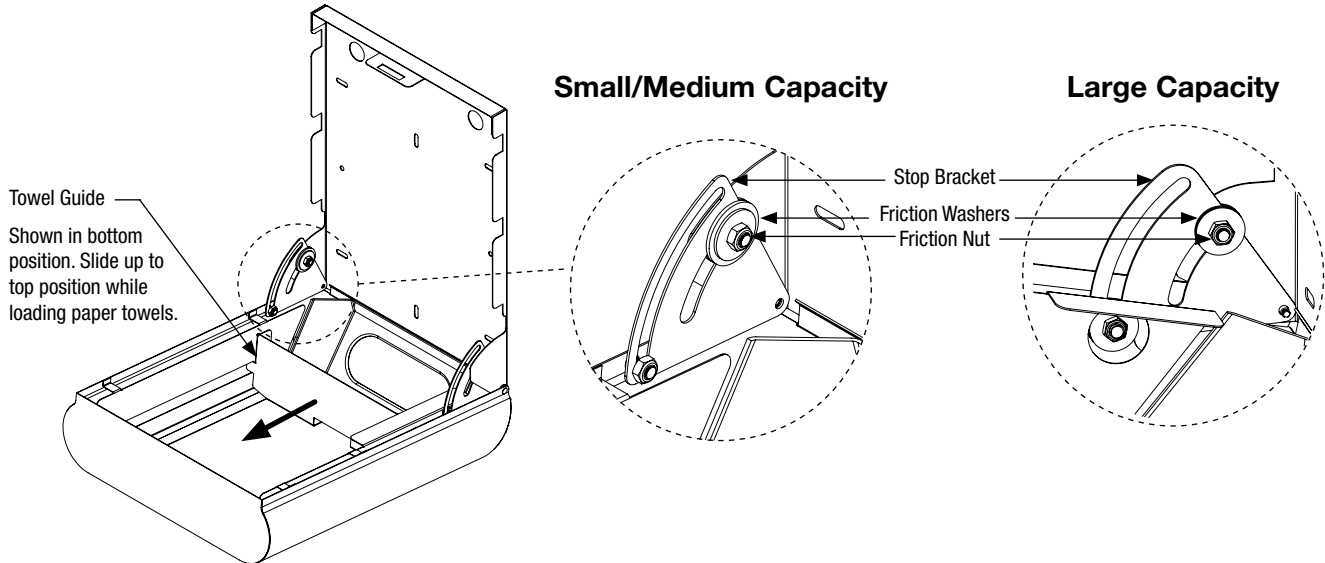
Maintenance and Cleaning

Refilling the Dispenser

Open the door using the magnetic key. Place key on Bradley logo and push slightly to disengage the lock. For model 2B1-113600, the cover will stop shortly after disengaging the lock and pulling back. To open fully, push the cover slightly forward and disengage the retaining hooks inside of the cover (left and right sides). After disengaging the retaining hooks, the cover can be fully opened. Be certain to always support the cover by hand while opening and closing the dispenser. Move the towel guide to the top of the slot and load towels below the towel guide into the cover. If the towels are not loaded below the towel guide, the dispenser will not dispense towels properly. Lower the towel guide until it rests on top of the stack of towels. Lift the door to the closed position, ensuring the maglock is latched, then remove magnetic key from cover. Pull the first towel through the dispenser.

Replacing Friction Mechanisms

The dispenser contains internal friction mechanisms (each side) to control the descent of the door while refilling the product. If the mechanisms fail to control the descent of the door at any point, remove and replace the friction washers and nuts on each side of the dispenser. These replacement parts can be found in the service parts manual. After attaching the friction nuts, be sure to torque them to 8 lb-in (Small/Medium Capacity) or 12 lb-in (Large Capacity) in order to provide the proper amount of friction.



Cleaning Stainless Steel

Scan or click the QR code below to view the Stainless Steel Washroom Accessories document.

