

- Model 346 — Recessed**  
(Waste container projects 2-3/4")
- Model 346-10 — Semi-Recessed**  
(recesses 4"; projects 4-3/4")
- Model 346-11 — Surface-Mounted**  
(projects 8-3/4")

- Standard Series — Satin Finish
- 12-Gallon Capacity

### Product Materials

**FLANGE:** 22 gauge stainless steel with exposed surfaces in architectural satin finish. One-piece seamless construction, 1" wide with 1/4" return.

**CABINET:** heavy gauge stainless steel. All welded construction.

**WASTE CONTAINER:** 22 gauge stainless steel. All welded construction. Secured to cabinet with tumbler lock keyed like other Bradley units.

**LINER:** (optional) heavy-duty stitched vinyl-coated nylon. Part # P11-004.

**HINGED COVER:** (optional) 22 gauge stainless steel with exposed surfaces in architectural satin finish. Heavy-duty stainless steel piano hinge.

**PUSH FLAP DOOR:** (optional) 22 gauge stainless steel with exposed surfaces in architectural satin finish. Heavy-duty stainless steel piano hinge. Self-closing flap door is embossed PUSH.

### Capacity

12 gal. (1.6 cu. ft.)

### Operation

Receptacle removable for servicing by unlocking waste container.

### Installation

Verify all rough-in dimensions prior to installation. Recessed unit requires rough wall opening 15-5/8"W x 29-1/8"H x 6"D (Semi-recessed unit only 4" deep). Secure to framing with mounting screws (included) at holes provided. Shim at screw points as required.

### Optional Features

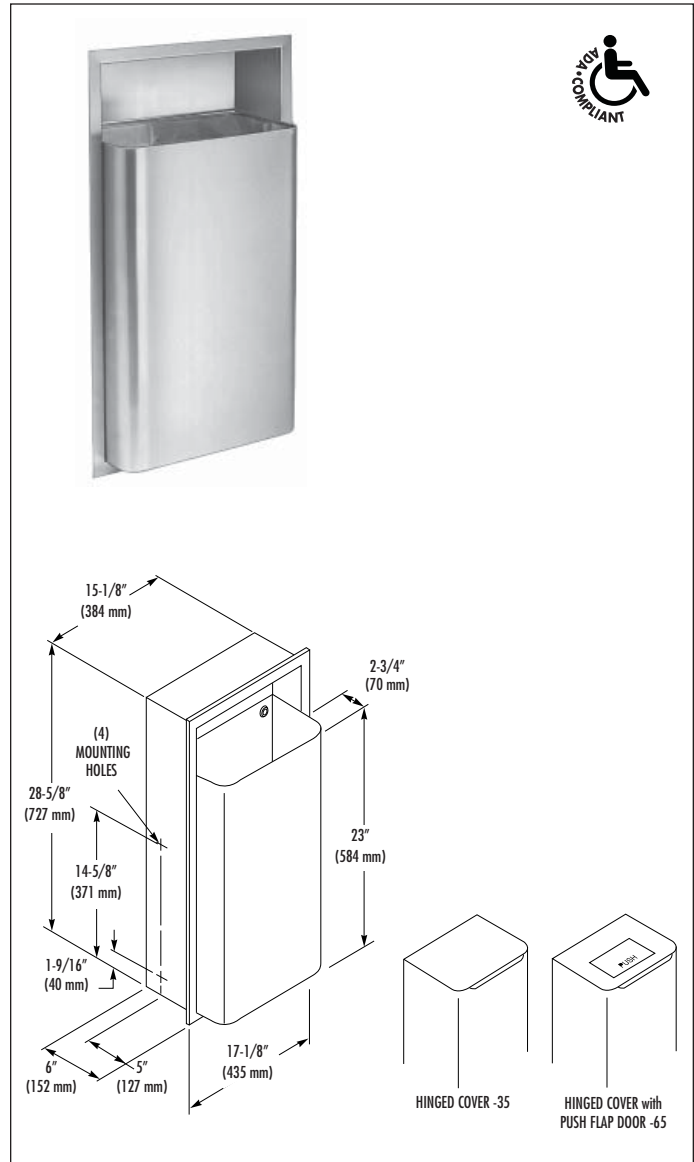
| Feature                                                   | Suffix |
|-----------------------------------------------------------|--------|
| <input type="checkbox"/> Hinged cover                     | -35    |
| <input type="checkbox"/> Hinged cover with push flap door | -65    |

### Guide Specification

Recessed waste receptacle shall be fabricated of heavy gauge stainless steel with seamless exposed surfaces in satin finish. Removable 12-gal. stainless steel waste receptacle. Heavy-duty vinyl liner is optional. Receptacle secured to cabinet with tumbler lock.

**Overall dimensions: 17-1/8"W x 30-5/8"H x 8-3/4"D.**

**Washroom Accessories  
Document No. 8305**



### ADA Compliant

- Consult local and national accessibility codes for proper installation guidelines.
- Conformity and compliance to local and national codes is the responsibility of the installer.