

- cUPC Certified
- 35" Bowl Rim Height: Wall-Hung or Pedestal-to-Floor
- 9" Deep Bowl
- Designed for Heavy Duty Hand Washing
- Reliable Infrared, Air Metering or TouchTime® Control
- Vandal Resistant - Easy to Clean

## Specifications

### Size and Capacity

35" floor to bowl rim height provides a taller fixture specifically designed for heavy-duty hand washing. The semi-circular model accommodates up to 3 users at a time. Model uses less water, energy and space than lavs equipped with conventional faucets. An infrared sensor, TouchTime electronic push button, or push button air metering valve controls the non-sectional sprayhead. The operating water pressure range is 20-80 PSI. Flow rate controlled by volume control valve with approximate flow rate of 1.25 GPM.

## Construction

### Bowl Materials

Constructed of Terreon®, a densified solid surface material composed of polyester resin. Terreon is resistant to chemicals, stains, burns and impact. Surface damage can be easily repaired with everyday cleansers or fine grit abrasives.

### Pedestals

Tapered pedestal is fabricated from a reinforced, gel-coated fiberglass. The pedestal incorporates a large access panel, for ease of installation and maintenance, and a 6" stainless steel kick plate to prevent damage.

### Vandal Resistance

The infrared sensors and lenses or push buttons are secured to the unit from inside a heavy gauge stainless steel module to prevent tampering. The adaptive infrared sensor will automatically shut off the water flow after 30 seconds if a vandal attempts to trigger constant operation by covering the sensor or placing a stationary object in the sensor's detection area. All valves, water supplies and waste connections are concealed inside the pedestal. The Terreon bowl is resistant to stains, burns and impact; surface damage is easily repaired and repair work is virtually undetectable.

## Standard Equipment

### Valves and Fittings

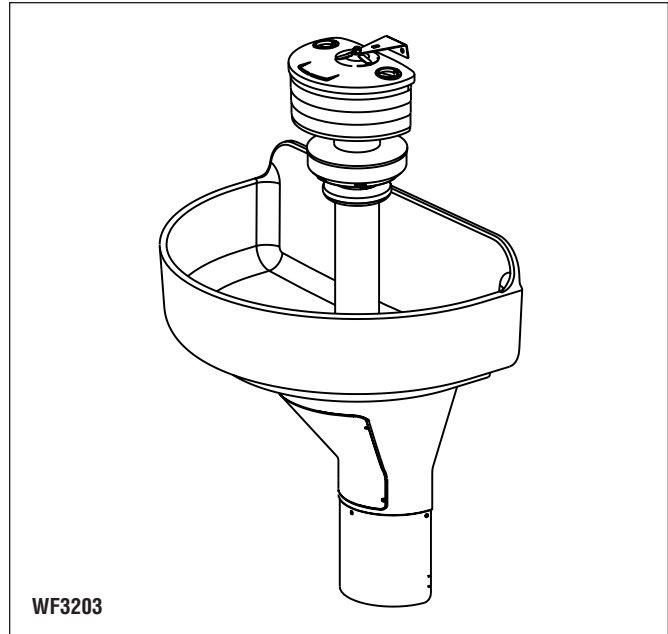
In addition to the bowl and pedestal, the following valves and fittings are standard: sprayhead with stainless steel support tube and bowl gasket; drain spud with domed strainer; sprayhead supply tubing; Navigator® thermostatic mixing valve; flexible stainless steel supply hoses; stops; and volume control valve.

## Activation Controls

### Infrared Control

Hands placed within the bowl are detected by an infrared sensor module which activates a flow of tempered water from the non-sectional sprayhead. Shut-off is automatic after hands are removed from the detection area. The infrared sensor uses a conical-shaped transmitting beam, having a detection area adapted to, but not exceeding, the bowl perimeter. The adaptive infrared sensor automatically adapts to the bowl after power is turned on. The infrared sensor is not affected by varying color tones or darkness. Direct sunlight or bright washroom lights will not activate the system. Infrared models also include solenoid valves and a low-voltage transformer as standard equipment:

- Solenoid – 24V, 5/16" tube fitting. Few moving parts, and resistant to most chemicals, minerals, and impurities often present in municipal water supplies.
- Low-Voltage Transformer – Class II UL/CSA listed, 110/24 VAC plug-in transformer. Plugs into a standard GFCI protected electrical outlet. Location of transformer per local electrical code.


**WF3203**

### Air Valve Hand Control

Each push button pneumatically actuates a non-hold-open, air metering, single-temperature valve with field adjustable timing from 0–45 seconds. Factory preset at 10 seconds. The push button activates a flow of tempered water from the non-sectional sprayhead. Push button requires less than five pounds of pressure.

### TouchTime® Hand Control

Each low-voltage button actuates a non-hold-open, slow-closing anti-hammer solenoid valve that is timed from an electronic potted assembly. Each push button activates a flow of tempered water from the non-sectional sprayhead. TouchTime controls water flow at each station through the use of solid state, digital circuitry. Timing is electronically controlled at 15 seconds. Push button requires less than five pounds of pressure.

## Code Compliance and Certifications

### cUPC Approval

Pre-Assembled Classic Washfountains are Uniform Plumbing Code (UPC), International Plumbing Code (IPC) and National Plumbing Code of Canada (NPC) approved through the International Association of Plumbing and Mechanical Officials (IAPMO). Manufactured in compliance with IGC 156-2009, CSA B45 Series-2002 (R08) & ASME A112.18.1-2005/CSA B125.1-2005.

### ANSI Standards

Terreon is NAHB certified to meet ANSI Z124.3, Z124.6 and ANSI/ICPA SS-1-2001.



Standard product selections contained within this document are third party **CERTIFIED** to NSF/ANSI 372 meeting the Lead-Free content requirement. Any product configured with custom options will be **COMPLIANT** with NSF/ANSI 372 meeting the Lead-Free content requirement.



Certified to  
NSF/ANSI 372



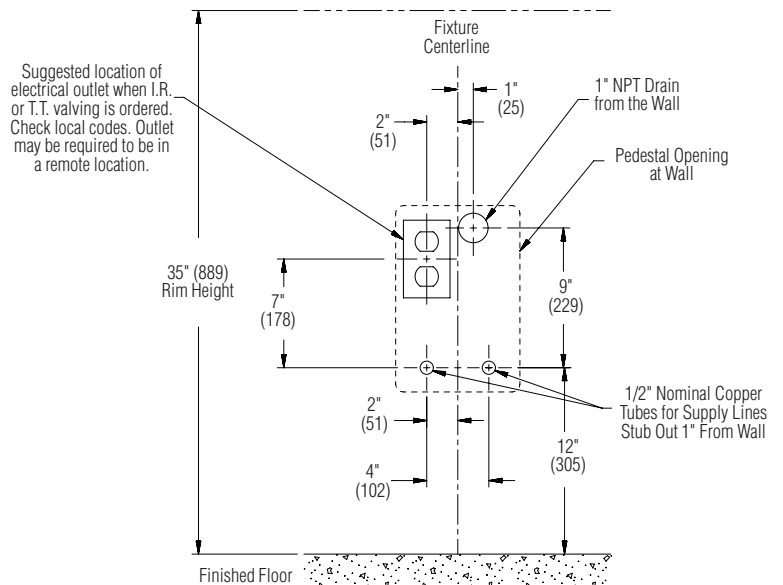
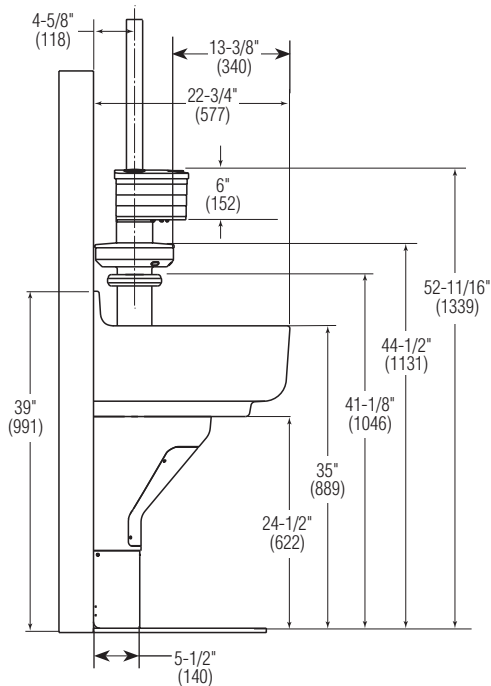
<b>Model</b>			
Model	Size	Users	Material
<input type="checkbox"/> <b>WF3203</b>	36" Semi-Circular	3	Terreon®

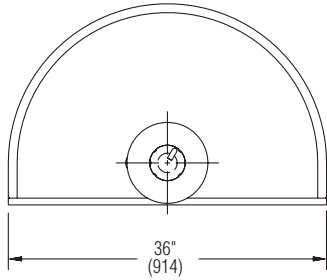
<b>Standard Selections</b> (Must select one from each category)	
<b>Drain Type (select one)</b>	
<input type="checkbox"/> <b>A</b> Off-line vent with supplies from below	
<input type="checkbox"/> <b>O</b> Off-line vent with supplies from above	
<b>Trap Enclosure/Pedestal</b>	
<input type="checkbox"/> <b>WALL</b> Hung trap enclosure/support	<input type="checkbox"/> <b>STD</b> Standard Height 35" Rim
<b>Controls (select one)</b>	
<input type="checkbox"/> <b>IR</b> Adaptive Infrared Activation	<input type="checkbox"/> <b>TT</b> TouchTime® Metering
<input type="checkbox"/> <b>AST4</b> Air Valve Hand Control	
<b>Mixing Valve (select one)</b>	
<input type="checkbox"/> <b>TL</b> Tempered Line	<input type="checkbox"/> <b>TMA</b> Thermostatic Mixing Valve
<b>Soap Dispenser (select one)</b>	
<input type="checkbox"/> <b>PSD</b> Powdered Soap Dispenser	<input type="checkbox"/> <b>MLSD</b> Metal-Clad Liquid Soap Dispenser
<input type="checkbox"/> <b>LSD</b> Liquid Soap Dispenser	
<input type="checkbox"/> <b>NSD</b> No Soap Dispenser	<input type="checkbox"/> <b>MPSD</b> Metal-Clad Powdered Soap Dispenser
<b>Terreon® Bowl Color (select one)</b>	
<input type="checkbox"/> <b>SS-GRAY</b> Soapstone Gray	
<input type="checkbox"/> <b>CA-TAN</b> Canyon Tan	

### Dimensions — 36" Semi-Circular with 9" Deep Bowl

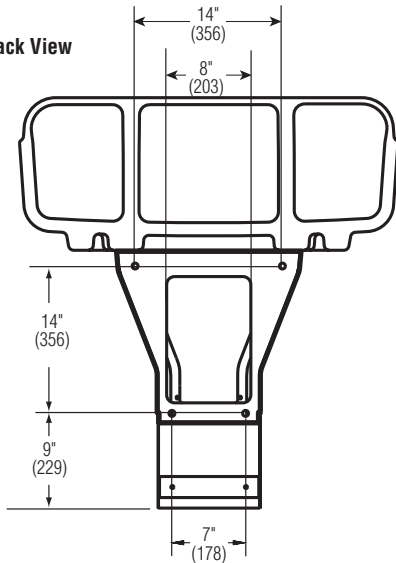
(mm)



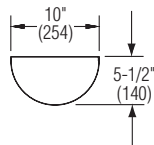
**Top View**



**Back View**

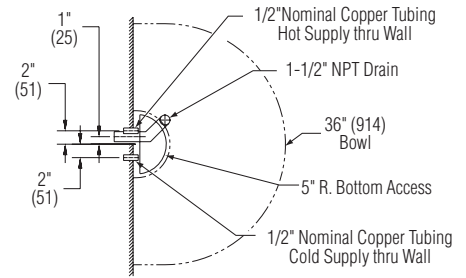


**Bottom View**

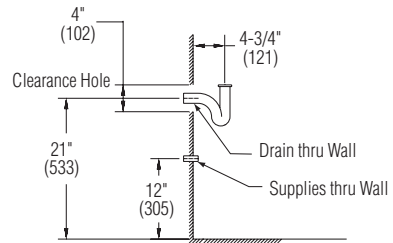


**Type A**

- Supplies through wall
- Vented through wall off drain

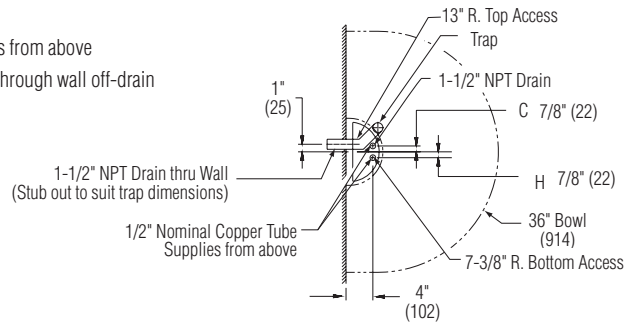


Trap for Wall Outlet Only

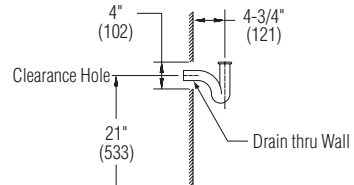


**Type 0**

- Supplies from above
- Vented through wall off-drain



Trap for Wall Outlet Only



**Rough-In Notes**

1. All pipes and fittings not furnished by Bradley are shown in broken lines.