

- Model 3157 — Recessed
- Model 3157-10 — Semi-Recessed (recesses 3", projects 3-3/4")

Contemporary Series — Satin Finish

9.2-Gallon Capacity

### Product Materials

**CABINET:** 22 gauge stainless steel with exposed surfaces in architectural satin finish. Welded construction with seamless corners and burr-free edges.

**DOOR:** 18 gauge stainless steel. 1/2" return for maximum rigidity. Concealed full-length stainless steel piano hinge and two tumbler locks keyed like other Bradley units.

**WASTE RECEPTACLE INSERT:** leakproof molded plastic.

**PUSH FLAP DOOR:** 22 gauge stainless steel with exposed surfaces in architectural satin finish. Heavy duty stainless steel piano hinge.

### Capacity

9.2 gal. (1.24 cu. ft.)

### Operation

Waste receptacle insert removable by unlocking cabinet door.

### Installation

Verify all rough-in dimensions prior to installation. Recessed unit requires rough wall opening 12-1/2"W x 47-1/2"H x 6-1/2"D (Semi-recessed unit only 3" deep). Secure to framing with mounting screws (included) at holes provided. Shim at screw points as required.

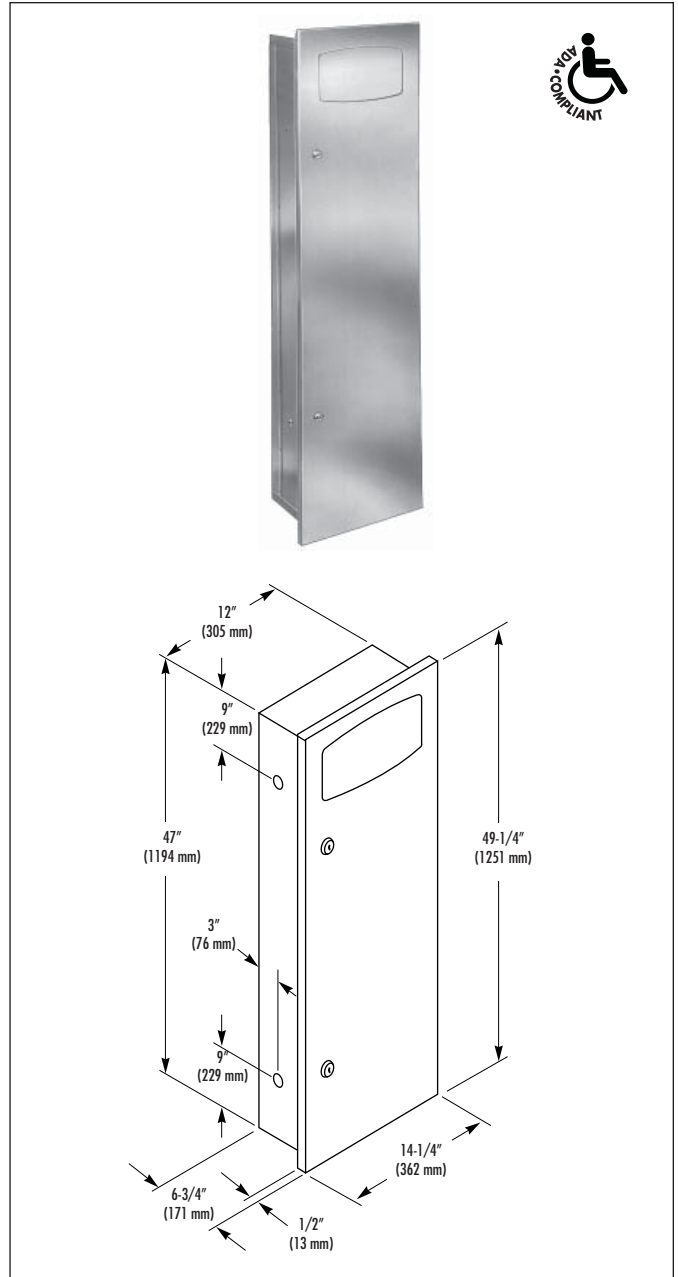
### Guide Specification

Recessed waste receptacle shall be fabricated of heavy gauge stainless steel with exposed surfaces in satin finish. Cabinet door of 18 gauge stainless steel with full-length piano hinge and secured by tumbler lock. Removable 9.2-gal. leakproof molded plastic insert for waste receptacle.

**Overall dimensions: 14-1/4"W x 49-1/4"H x 6-3/4"D.**

### ADA Compliant

- Consult local and national accessibility codes for proper installation guidelines.
- Conformity and compliance to local and national codes is the responsibility of the installer.



Washroom Accessories  
Document No. 8270