

- cUPC Certified
- Available in 54" or 36" Diameter Semi-Circular or Circular Bowls
- 9" Deep Bowl, Designed for Heavy Duty Hand Washing
- Foot, Air Metering, Infrared or TouchTime® Control

### Specifications

#### Size and Capacity

Semi-circular models accommodate up to 3 users (36" models) or 4 users (54" models) at a time. Circular models accommodate up to 5 users (36" models) or 8 users (54" models) at a time. All models utilize less water, energy and space than lavatories equipped with conventional faucets. Bowl, pedestal, and fittings require assembly. The operating range is 20-80 PSI. Flow rate controlled by volume control valve. Approximate flow-rates for each model:

- 36" semi-circular: 1.25 GPM
- 54" semi-circular: 3 GPM
- 36" circular: 2 GPM
- 54" circular: 5 GPM

### Construction

**Bowl:** One-piece pressing of 14-gauge stainless steel with a #4 polished finish.

**Pedestal:** Constructed of die-formed legs, upper braces, scuff bases and panels: legs are zinc chromate plated 14 gauge steel; upper braces are 16 gauge galvanized steel; and scuff bases and pedestal panels are 300 series stainless steel with a #4 finish.

### Standard Equipment

#### Valves and Fittings

In addition to the bowl and pedestal, the following valves and fittings are standard: sprayhead with stainless steel support tube and bowl gasket; spud with domed strainer; sprayhead supply line; manual mixing valve; volume control valve; and (2) stop, strainer and check valves.

### Activation Controls

#### Foot Control

Each press of the foot rail mechanically actuates a hold-open valve, with slow closing upon release of foot pressure.

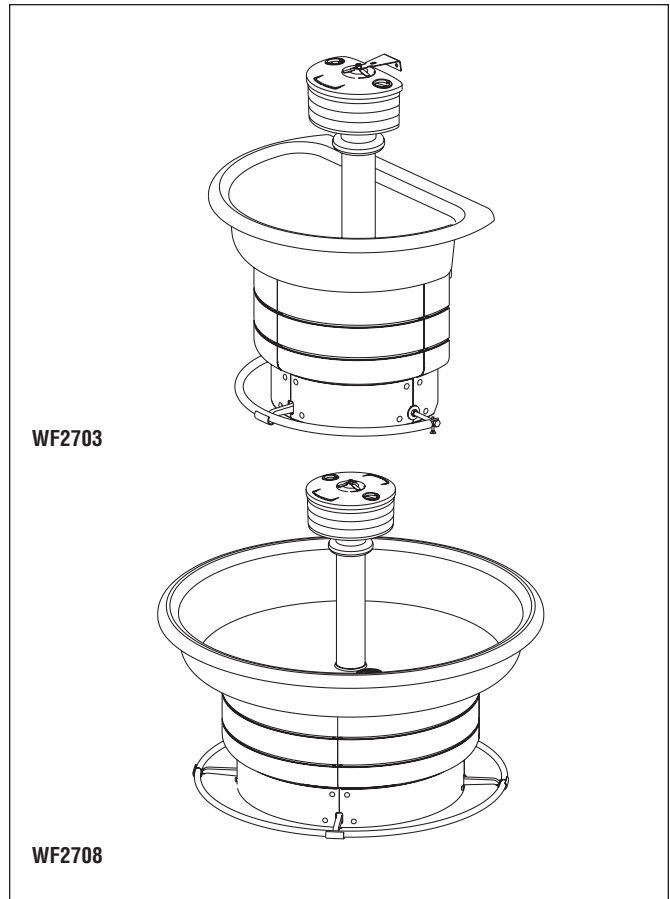
#### Air Valve Hand Control

Each push button pneumatically actuates a non-hold-open, air metering, single-temperature valve with field adjustable timing from 0–45 seconds. Factory preset at 10 seconds. Each push button activates a flow of tempered water from the non-sectional sprayhead. Push button requires less than five pounds of pressure.

#### Infrared Control

Hands placed within the bowl are detected by an infrared sensor module which activates a flow of tempered water from the non-sectional sprayhead. Shut-off is automatic seven seconds after hands are removed from the detection area. The infrared sensor uses a conical-shaped transmitting beam, having a detection area adapted to, but not exceeding, the bowl perimeter. The detection area projects forward 15° to each side and 15° below and extends 6 to 9 inches from the sensor module. The infrared sensor is not affected by varying color tones or darkness. Direct sunlight or bright washroom lights will not activate the system. Infrared models also include solenoid valves and a low-voltage transformer as standard equipment:

- Solenoid – 24V, 50/60 Hz, 3/4" NPT. Few moving parts, and resistant to most chemicals, minerals, and impurities often present in municipal water supplies.
- Low-Voltage Transformer – Class II UL/CSA listed, 110/24 VAC plug-in transformer. Plugs into a standard GFCI protected electrical outlet. Location of transformer per local electrical code.



#### TouchTime Hand Control

Each low-voltage button actuates a non-hold-open, slow-closing anti-hammer solenoid valve that is timed from an electronic potted assembly. Each push button activates a flow of tempered water from the non-sectional sprayhead. TouchTime controls water flow through the use of solid state, digital circuitry. Timing is electronically controlled at 15 seconds. Push button requires less than five pounds of pressure.

### Code Compliance

#### cUPC Approval

Pre-Assembled Classic Washfountains are Uniform Plumbing Code (UPC), International Plumbing Code (IPC) and National Plumbing Code of Canada (NPC) approved through the International Association of Plumbing and Mechanical Officials (IAPMO). Manufactured in compliance with IGC 156-2009, CSA B45 Series-2002 (R08) & ASME A112.18.1-2005/CSA B125.1-2005.



Standard product selections contained within this document are third party **CERTIFIED** to NSF/ANSI 372 meeting the Lead-Free content requirement. Any product configured with custom options will be **COMPLIANT** with NSF/ANSI 372 meeting the Lead-Free content requirement.



Certified to  
NSF/ANSI 372



© 2014 Bradley

P.O. Box 309, Menomonee Falls, WI 53052-0309  
Phone: 800.BRADLEY(800.272.3539) Fax: 262.253.4161  
bradleycorp.com

<b>Models</b> (Must select one)			
Model	Size	Users	Material
<input type="checkbox"/> WF2703	36" Semi-Circular	3	Stainless
<input type="checkbox"/> WF2704	54" Semi-Circular	4	Stainless
<input type="checkbox"/> WF2705	36" Circular	5	Stainless
<input type="checkbox"/> WF2708	54" Circular	8	Stainless

<b>Standard Selections</b> (Must select one from each category)	
<b>Drain Type (select one)</b>	
<input type="checkbox"/> A	Off-line vent with supplies from below
<input type="checkbox"/> B	Centrally rising vent with supplies from above
<input type="checkbox"/> H	Centrally rising vent with supplies from below
<input type="checkbox"/> O	Off-line vent with supplies from above

<b>Pedestal Height (select one)</b>	
<input type="checkbox"/> STD	Standard Height
<input type="checkbox"/> JUV	Juvenile Height†

<b>Controls (select one)</b>	
<input type="checkbox"/> F	Foot Control Valve
<input type="checkbox"/> IR	Infrared Activation
<input type="checkbox"/> AST	Air Valve Metering
<input type="checkbox"/> TT	TouchTime® Metering

<b>Mixing Valve (select one)</b>	
<input type="checkbox"/> MMV	Manual Mixing Valve

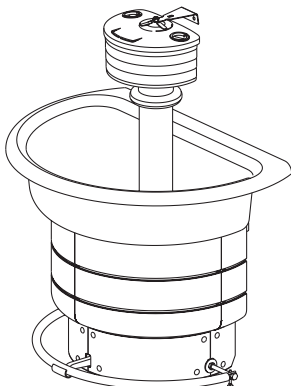
<b>Soap Dispenser (select one)</b>	
<input type="checkbox"/> PSD	Powdered Soap Dispenser
<input type="checkbox"/> NSD	No Soap Dispenser
<input type="checkbox"/> LSD	Liquid Soap Dispenser

<b>Optional Selections</b>	
<b>Thermostatic Mixing Valve</b>	
<input type="checkbox"/> TMA	Thermostatic Mixing Valve (in lieu of manual mixing valve)
<b>Metal Soap Dispenser</b>	
<input type="checkbox"/> MLSD	Metal-Clad Liquid Soap Dispenser
<input type="checkbox"/> MPSD	Metal-Clad Powdered Soap Dispenser
<b>1-1/2" Tie Pipe Assembly</b>	
<input type="checkbox"/> TA	Reinforces Support Tube
<b>Shroud</b>	
<input type="checkbox"/> SH	Stainless Steel Shroud (Conceals Overhead Piping)
<b>Hose Bibb</b>	
<input type="checkbox"/> HB	Hose Bibb*
<b>Paper Towel Dispensers</b>	
<input type="checkbox"/> CTD (2)	C-Fold, Multi-Fold Dispenser
<input type="checkbox"/> SFTD (2)	Single-Fold Dispenser

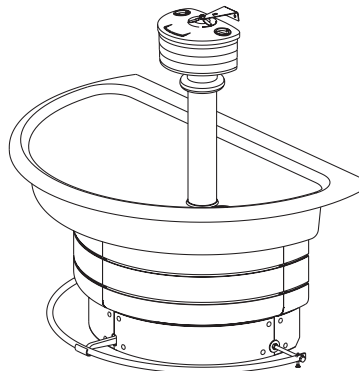
\*Non-cancelable, not-returnable

† Not available with Foot Control on drain types B & H

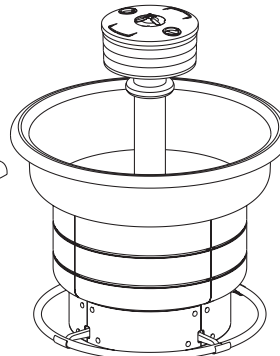
### Semi-Circular Stainless Steel WF2703 and WF2704, Circular Stainless Steel WF2705 and WF2708



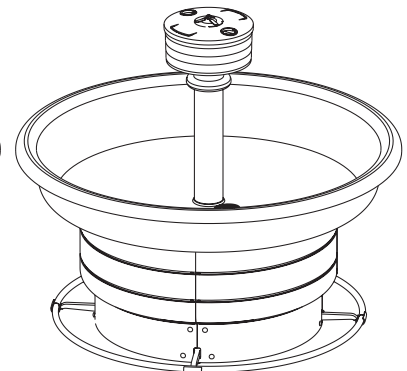
WF2703



WF2704



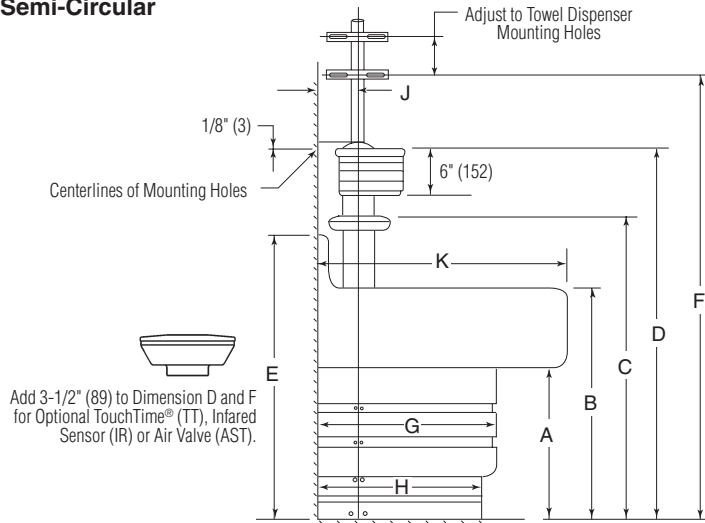
WF2705



WF2708

### Dimensions — Foot Controlled Semi-Circular

(mm)



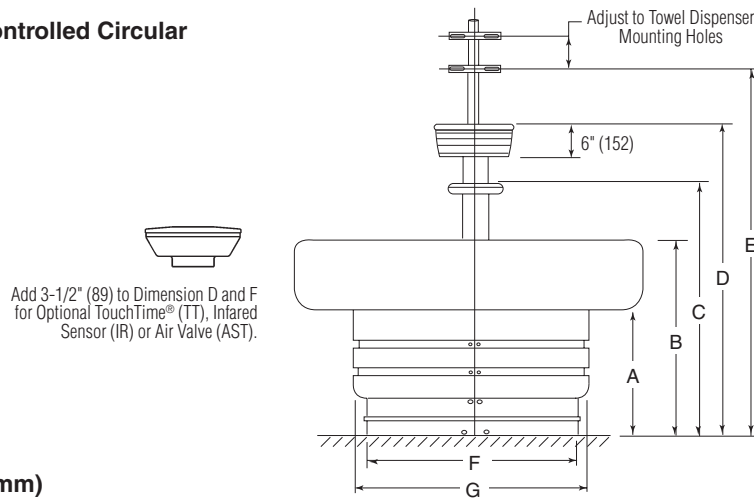
### Dimensions – Inches (mm)

Size	A*	B*	C*	D*	E*	F*	G	H	J	K
54 (1372)	19 (483)	28 (711)	37-3/8 (949)	45-7/8 (1165)	32-1/2** (826)	54-1/4 (1378)	26-1/4 (667)	24-1/4 (616)	8-1/4 (210)	35-1/4 (895)
36 (914)	19 (483)	28 (711)	33-7/8 (860)	42-3/8 (1076)	32-1/2** (826)	50-3/4 (1289)	20-1/4 (514)	18-1/4 (464)	7-3/4 (197)	25-3/4 (654)

\* Subtract 4" for Juvenile Height

\*\* Backsplash: Only when backplash is specified; otherwise, dimension B applies.

### Dimensions — Foot Controlled Circular



### Dimensions – Inches (mm)

Size	A*	B*	C*	D*	E*	F	G
54 (1372)	19 (483)	28 (711)	37-3/8 (949)	45-7/8 (1165)	54-1/4 (1378)	32 (813)	36 (914)
36 (914)	19 (483)	28 (711)	33-7/8 (860)	42-3/8 (1076)	50-3/4 (1289)	21 (533)	25 (635)

\* Subtract 4" for Juvenile Height

### Rough-In Notes

(mm)

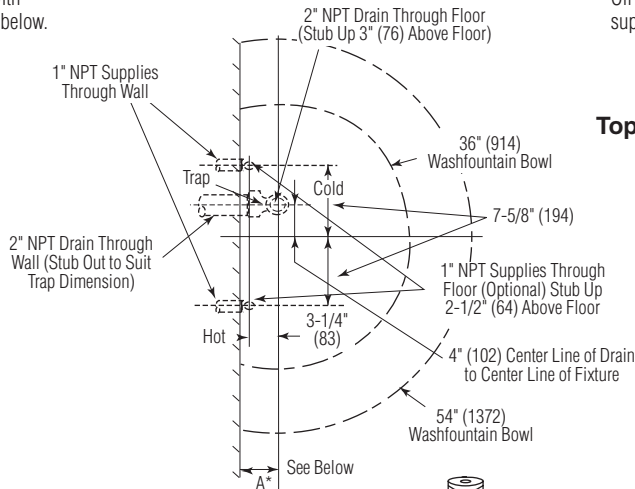
1. All pipes and fittings not furnished by Bradley are shown in broken lines.
2. Supply lines for one to two washfountains should be 1"; for three washfountains 1-1/4"; for more than three washfountains, pipe sizes should be increased proportionately.
3. Overhead supplies must be reduced to 1/2" copper tube to pass through support tube.
4. Check valve inlets are 1/2" NPT.
5. Drain Types B and H: For maximum rigidity of sprayhead/support tube assembly, use 1-1/2" NPT galvanized pipe for vent. Use of plastic or copper for vent is not recommended.

### Rough-Ins – Semi-Circular

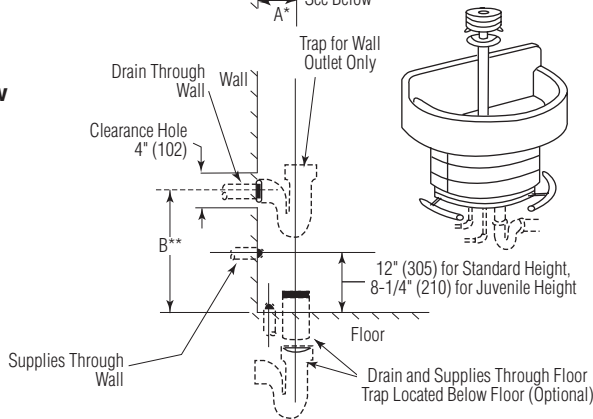
#### Type A

– Off-line vent with supplies from below.

#### Top View



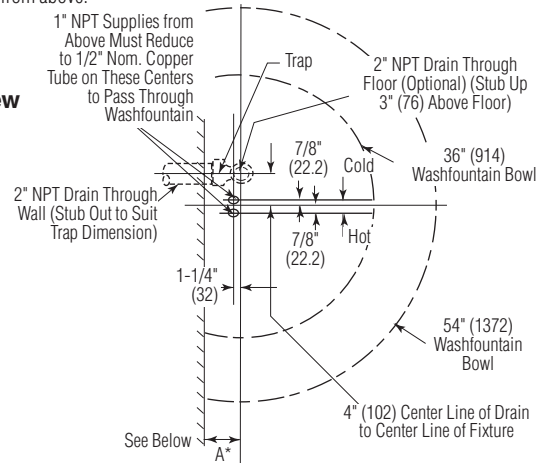
#### Side View



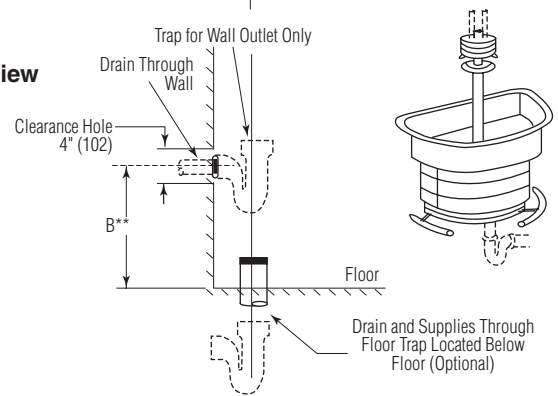
#### Type O

– Off-line vent with supplies from above.

#### Top View



#### Side View



### Installing Traps

When installing trap with a coupling and nipple, see dimension D in the chart below. If trap is installed tight to bottom of bowl, dimension D depends on design of trap.

Bowl Size	A*	B** (Standard Height)	B** (Juvenile Height)
54" (1372)	8-1/4" (210)	6 to 11-5/8" (152 to 295)	16 to 8-5/8" (152 to 219)
36" (914)	7-3/4" (197)	6 to 12" (152 to 305)	6 to 9" (152 to 229)

\* Wall to centerline of trap

\*\* Centerline of drain to floor

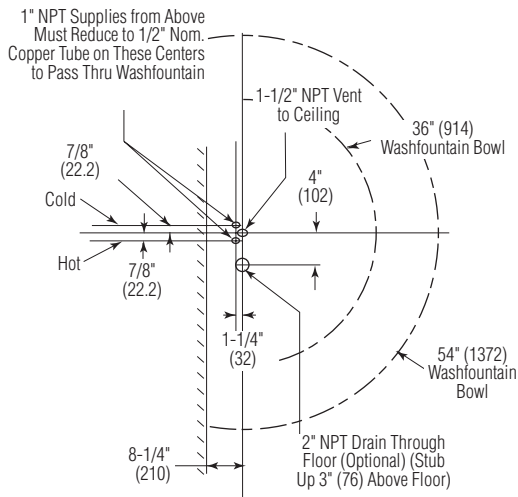
### Rough-Ins – Semi-Circular (continued)

(mm)

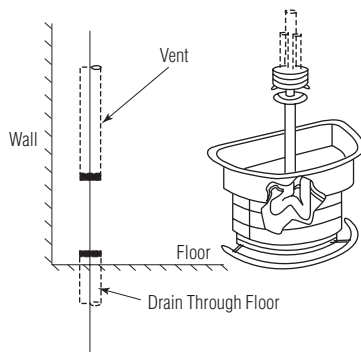
#### Type B

– Centrally rising vent with supplies from above.

#### Top View



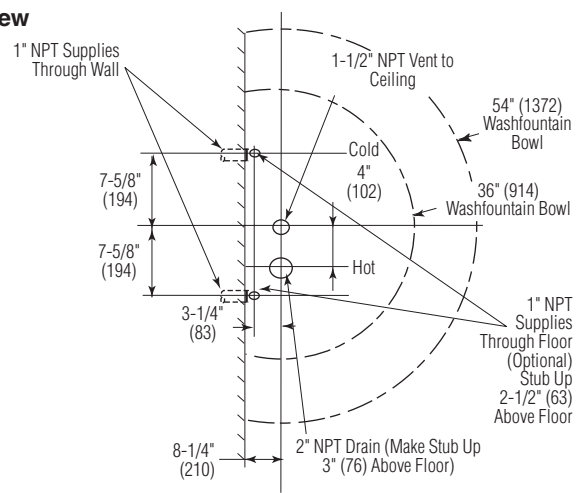
#### Side View



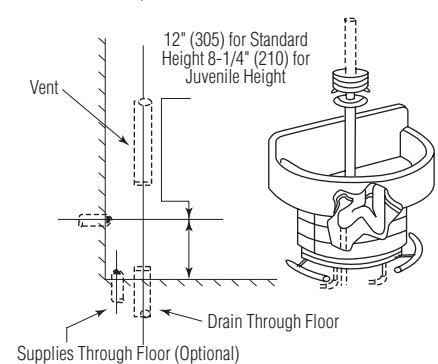
#### Type H

– Centrally rising vent with supplies from below.

#### Top View



#### Side View

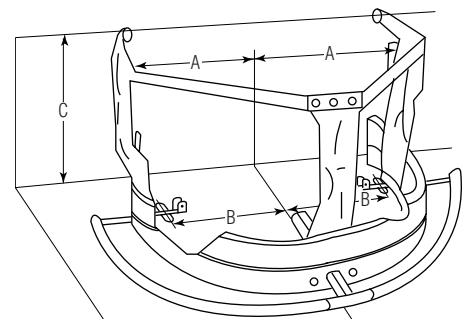


### Dimensions – Pedestal Anchoring

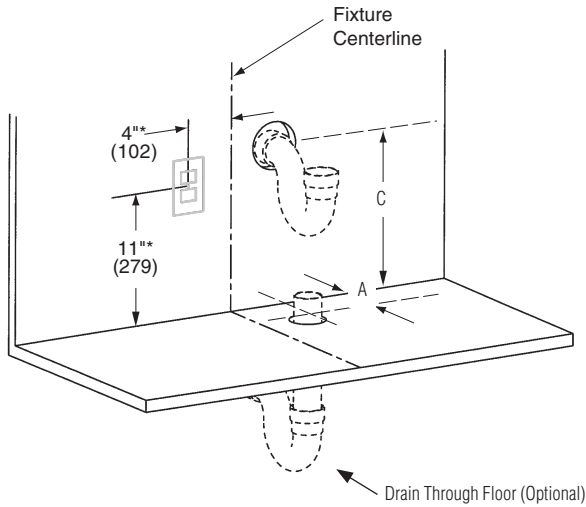
Bowl Size	Standard Height			Juvenile Height		
	A	B	C	A	B	J
54" (1372)	16-1/2" (419)	14" (356)	18-1/4" (464)	16-1/2" (419)	14" (356)	14-1/4" (362)
36" (914)	11" (279)	8-5/8" (219)	18-1/4" (464)	11" (279)	8-5/8" (219)	14-1/4" (362)

#### Anchoring Pedestals

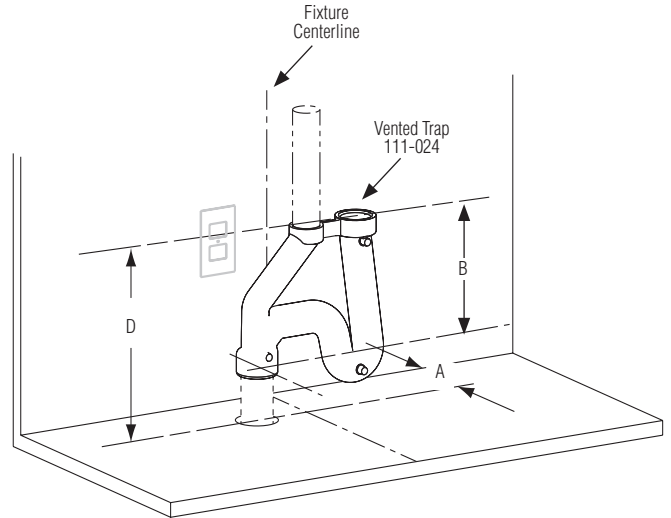
1. Place pedestal assembly as shown.
2. Anchor pedestal assembly to floor and wall with suitable wall fasteners.  
Backing may be required in some types of wall construction.



### Types A and O



### Types B and H



\* Suggested location of 110VAC GFCI electrical outlet. Always check local codes before installing. Outlet may be required to be in a remote location.

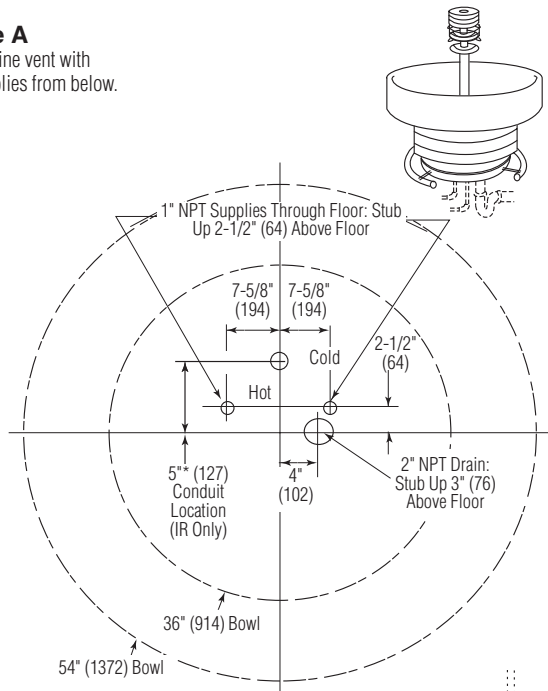
Model	Bowl Size	A (All Types)	B (Types B & H)	C (Types A & O)		D (Types B & H)	
				Standard Height	Juvenile Height	Standard Height	Juvenile Height
WF2704, WF2708	54" (1372)	8-1/4" (210)	7" (178)	6 to 11-5/8" (152 to 295)	6 to 8-5/8" (152 to 219)	17" (432)	13" (330)
WF2703, WF2705	36" (914)	7-3/4" (197)	7" (178)	6 to 12" (152 to 305)	6-9" (152 to 229)	17-3/8" (441)	13-3/8" (340)

### Rough-Ins – Circular

(mm)

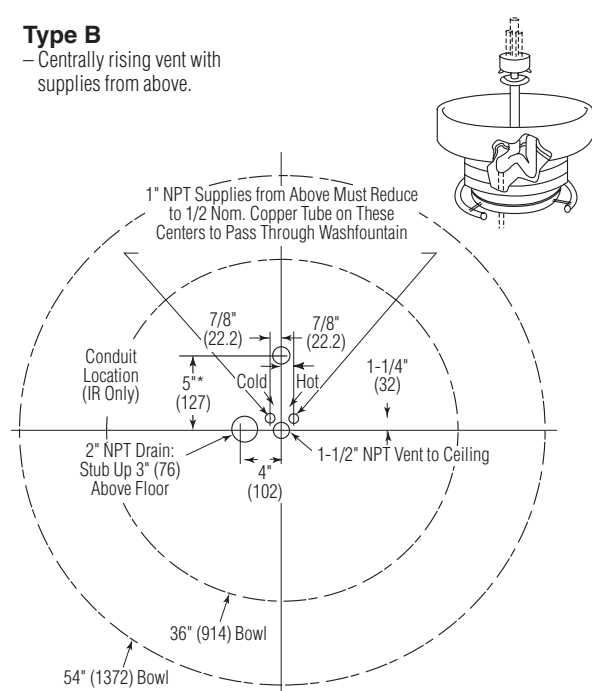
#### Type A

– Off-line vent with supplies from below.



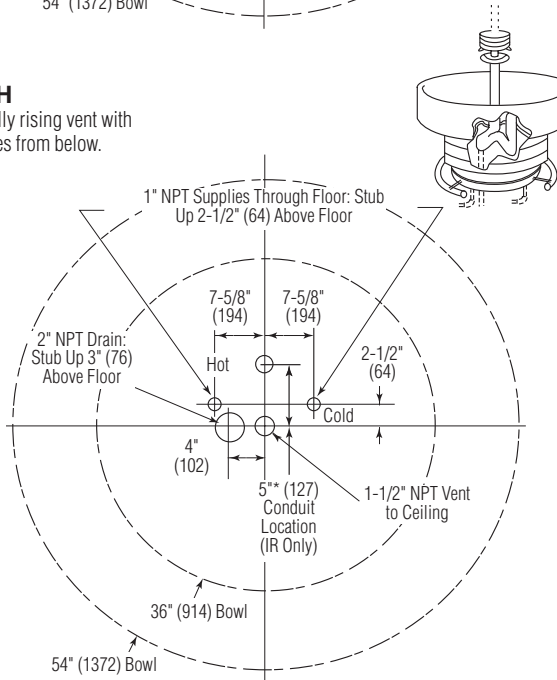
#### Type B

– Centrally rising vent with supplies from above.



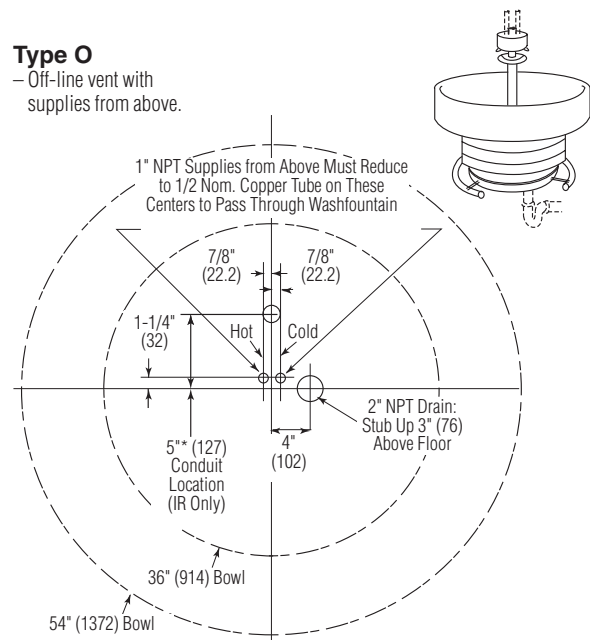
#### Type H

– Centrally rising vent with supplies from below.



#### Type O

– Off-line vent with supplies from above.



\* Remote mounting of transformer with 24 VAC electrical supply to washfountain is recommended. See local electrical codes before roughing in. (This conduit location is only a recommendation.)