

**Model 251-15 — Surface-Mounted
Bradex®**

- Single-Fold Towels
- Tumbler Lock

Product Materials

UNIT: 22 gauge stainless steel with exposed surfaces in architectural satin finish. Smooth corners, free of burrs and sharp edges. Tumbler lock keyed like other Bradley units. Front of cabinet hinged at bottom to allow easy filling. Refill indicator slot on both sides and front of cabinet. Rolled edge on dispenser opening.

Capacity

400 single-fold paper towels.

Operation

Unit holds single-fold towels without use of special adapter.

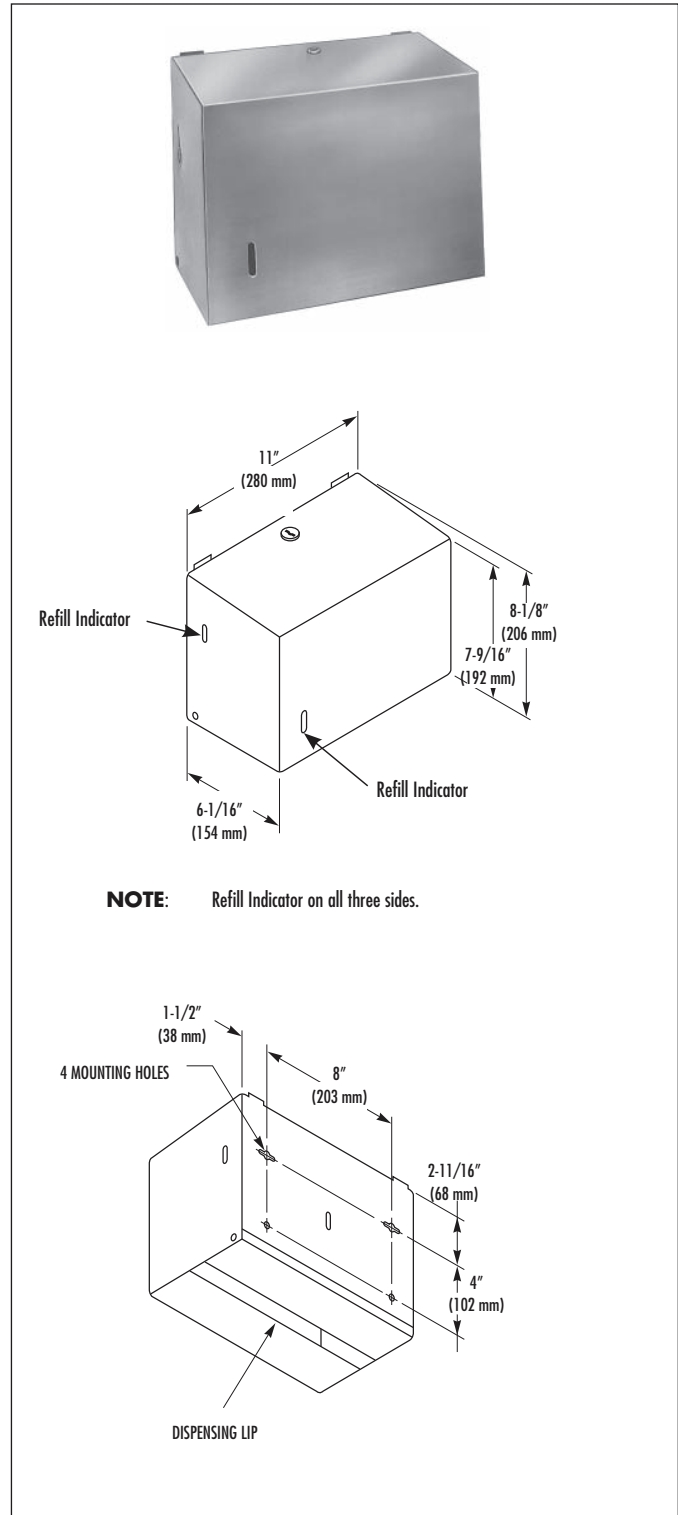
Installation

Verify all rough-in dimensions prior to installation. Secure to wall with mounting screws (not included) at holes provided. Mounting kit (#899-027) available through Bradley. Visit bradleycorp.com for more information. Provide in-wall backing at mounting screw locations.

Guide Specification

Surface-mounted towel dispenser shall be fabricated of 22 gauge stainless steel with exposed surfaces in satin finish. Refill indicator on both sides and front of cabinet. Tumbler lock to secure hinged cabinet. Towel dispenser capacity 400 single-fold towels.

Overall dimensions: 11"W x 8-1/8"H x 6-1/16"D.



NOTE: Refill Indicator on all three sides.

**Washroom Accessories
Document No. 8215**

Orders composed of products indicated as **Bradex®** will be available to ship in three days after receipt of order at the factory. There is no pricing penalty for this service from Bradley.

This information is subject to change without notice.

Always consult local and national codes for proper installation guidelines.

Conformity and compliance to local and national codes is the responsibility of the installer.