

- Model 247 — Recessed
- Model 247-10 — Semi-Recessed (recesses 3-1/2"; projects 4")
- Model 247-11 — Surface-Mounted (projects 7-1/2")

- C-Fold/Multi-Fold Towels
- Standard Series — Satin Finish

Product Materials

CABINET: heavy gauge stainless steel. All welded construction.
FLANGE: 22 gauge stainless steel with exposed surfaces in architectural satin finish. One-piece seamless construction, 1" wide with 1/4" return.
DOOR: 18 gauge stainless steel. Warp resistant, with full length stainless steel piano hinge and tumbler lock keyed like other Bradley units.
TOWEL DISPENSER: 22 gauge stainless steel. Rolled edge on dispenser opening.

Capacity

Towel Dispenser — 1000 single-fold, 800 multi-fold or 500 C-fold paper towels.

Operation

Towel dispenser holds single-fold, multi-fold or C-fold towels with use of special adaptor.

Installation

Verify all rough-in dimensions prior to installation. Recessed unit requires rough wall opening 12-1/2"W x 26-5/8"H x 7-1/2"D (Semi-recessed unit only 3-1/2" deep). Secure to framing with mounting screws (included) at holes provided. Shim at screw points as required.

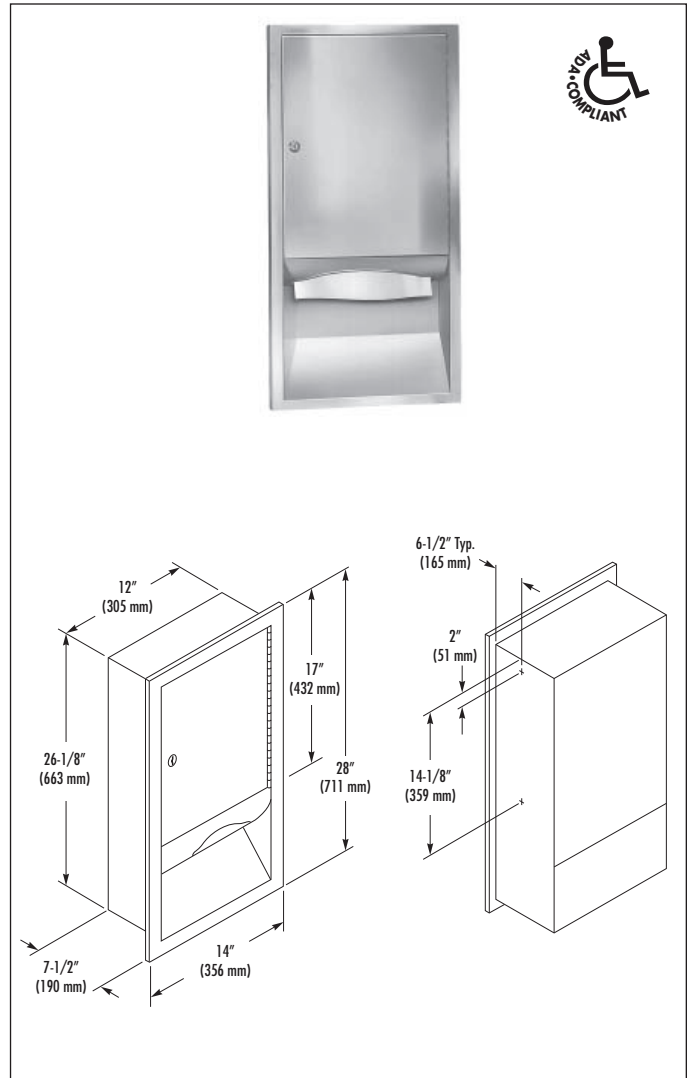
Guide Specification

Recessed towel dispenser shall be fabricated of stainless steel with exposed surfaces in satin finish. Door with full length piano hinge and secured by tumbler lock. Towel dispenser capacity 1000 single-fold, 800 multi-fold or 500 C-fold towels.

Overall dimensions: 14"W x 28"H x 7-1/2"D.

ADA Compliant

- Consult local and national accessibility codes for proper installation guidelines.
- Conformity and compliance to local and national codes is the responsibility of the installer.



**Washroom Accessories
Document No. 8180**