

- Model 237 — Recessed
- Model 237-10 — Semi-Recessed (recesses 3-1/2"; projects 4")
- Model 237-11 — Surface-Mounted (projects 7-1/2")
- Standard Series — Satin Finish

Product Materials

CABINET: 22 gauge stainless steel with exposed surfaces in architectural satin finish. Welded construction with seamless corners and burr-free edges.

FLANGE: 22 gauge stainless steel with exposed surfaces in architectural satin finish. One piece seamless construction, 1" wide with 1/4" return.

DOOR: 18 gauge stainless steel. Warp resistant, with full length piano hinge and tumbler lock keyed like other Bradley units.

TOWEL DISPENSER: 22 gauge stainless steel. Rolled edge on dispenser opening.

WASTE RECEPTACLE: 22 gauge stainless steel. All welded construction. Secured to cabinet with tumbler lock keyed like other Bradley units.

LINER (optional): heavy duty stitched vinyl coated nylon. Part #P11-004.

CUP DISPENSER (optional): 22 gauge stainless steel.

HINGED COVER (optional): 22 gauge stainless steel with exposed surfaces in architectural satin finish. Heavy duty stainless steel piano hinge.

PUSH FLAP DOOR (optional): 22 gauge stainless steel with exposed surfaces in architectural satin finish. Heavy duty stainless steel piano hinge. Self-closing flap door is embossed "PUSH".

Capacity

Towel Dispenser — 1100 single-fold, 800 multi-fold or 600 C-fold paper towels;
Waste Container — 12 gal. (1.6 cu. ft.); Cup Dispenser (optional) — 100 - 3 oz. cups

Operation

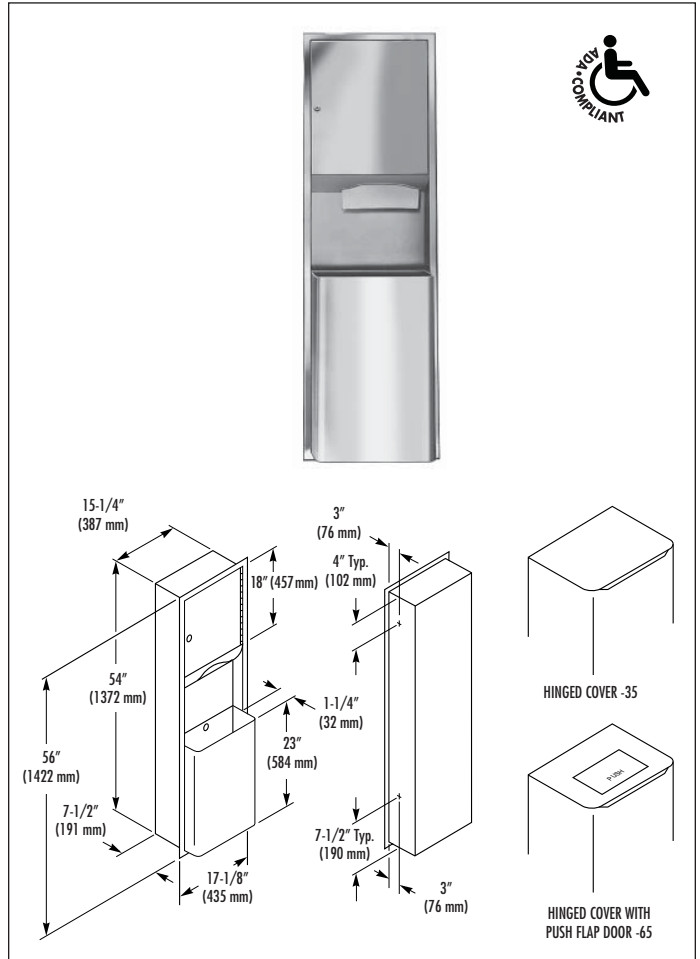
Towel dispenser holds single-fold, multi-fold or C-fold towels with use of special adaptor. Receptacle removable for easy servicing by unlocking waste container.

Installation

Verify all rough-in dimensions prior to installation. Recessed unit requires rough wall opening 15-3/4"W x 54-1/2"H x 7-1/2"D (Semi-recessed unit only 3-1/2" deep). Secure to framing with mounting screws (included) at holes provided. Shim at screw points as required.

ADA Compliant

- Consult local and national accessibility codes for proper installation guidelines.
- Conformity and compliance to local and national codes is the responsibility of the installer.



Guide Specification

Recessed combination towel dispenser and waste receptacle shall be fabricated of 22 gauge stainless steel with exposed surfaces in satin finish. Cabinet doors with full length piano hinge and secured by tumbler lock. Towel dispenser capacity 1100 single-fold, 800 multi-fold or 600 C-fold towels. Removable 12 gal. stainless steel waste receptacle. Reusable vinyl liner is optional.

Overall dimensions: 17-1/8"W x 56"H x 8-3/4"D.

Optional Features

Feature	Suffix
<input type="checkbox"/> Hinged Cover	-35
<input type="checkbox"/> Large Capacity Waste Receptacle — 18 gal. (Not ADA Compliant)	-36
<input type="checkbox"/> Hinged Cover with Push Flap Door	-65

**Washroom Accessories
Document No. 8145**