

- Model 227 — Recessed
- Model 227-10 — Semi-Recessed (recesses 3½"; projects 9⅝")
- Model 227-11 — Surface-Mounted (projects 12<sup>13</sup>/<sub>16</sub>"
- Standard Series — Satin Finish

### Product Materials

**CABINET:** 22 gauge stainless steel with exposed surfaces in architectural satin finish. Welded construction with seamless corners and burr-free edges.

**FLANGE:** 22 gauge stainless steel with exposed surfaces in architectural satin finish. One piece seamless construction, 1" wide with ¼" return.

**DOORS:** 18 gauge stainless steel with full length piano hinge and tumbler lock keyed like other Bradley units.

**TOWEL DISPENSER:** furnished (manufactured by others).

**WASTE CONTAINER:** 22 gauge stainless steel. All welded construction. Secured to cabinet with tumbler lock keyed like other Bradley units.

**LINER (optional):** heavy duty stitched vinyl coated nylon. Part # P11-001.

### Capacity

Towel Dispenser — one standard core 8" or 9"W x 800'L roll paper towel.  
Waste Container — 18 gal. (2.5 cu. ft.)

### Operation

Towel dispenser delivers preset length of towel (2½", 4" or 5" per stroke). Receptacle removable for servicing by unlocking waste container. Operates with less than 5 lbs. of force.

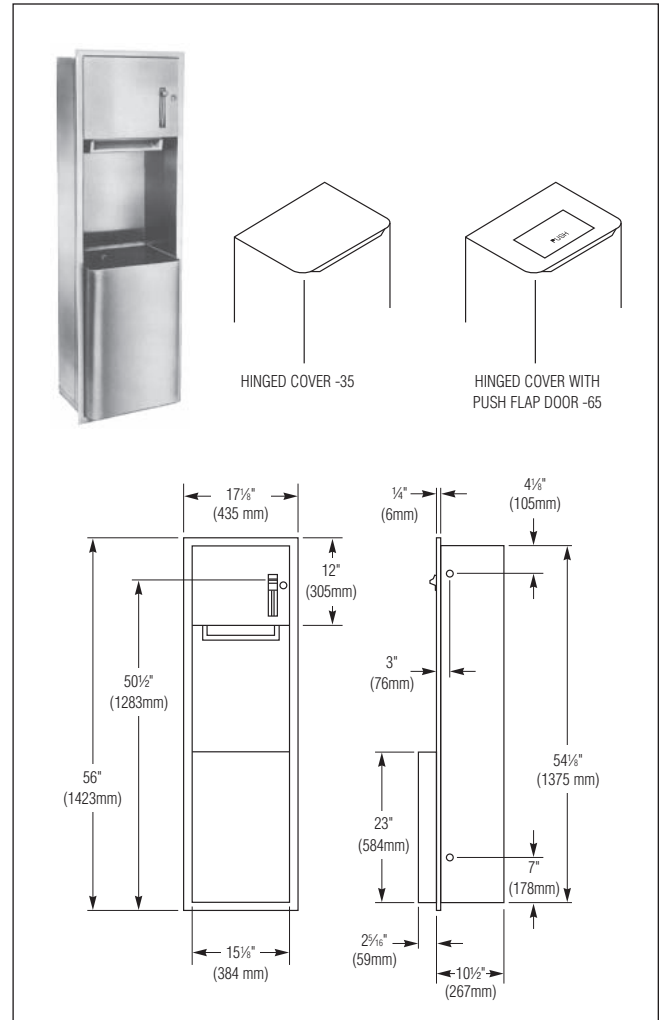
### Installation

Verify all rough-in dimensions prior to installation. Recessed unit requires rough wall opening 15½"W x 54⅝"H x 10½"D (Semi-recessed unit only 3½" deep). Secure to framing with mounting screws (included) at holes provided. Shim at screw points as required.

### Guide Specification

Recessed combination towel dispenser and waste receptacle shall be fabricated of 22 gauge stainless steel with exposed surfaces in satin finish. Towel cabinet door equipped with piano hinge and secured by tumbler lock. Towel dispenser shall be activated with less than 5 lbs. of force and have the capacity to hold one standard core 8" or 9"W x 800'L roll paper towel. Removable 18 gal. stainless steel waste receptacle. Reusable vinyl liner is available separately. Order part number P11-001.

**Overall dimensions: 17⅞"W x 56"H x 12<sup>13</sup>/<sub>16</sub>"D.**



### Optional Features

Feature	Suffix
<input type="checkbox"/> Hinged cover	-35
<input type="checkbox"/> Hinged cover with push flap door	-65

Washroom Accessories  
Document No. 8095