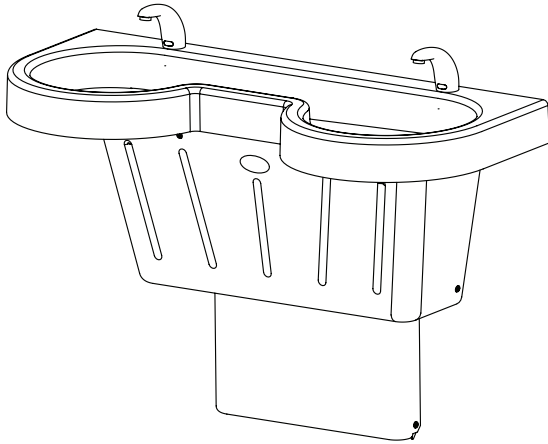


# Installation

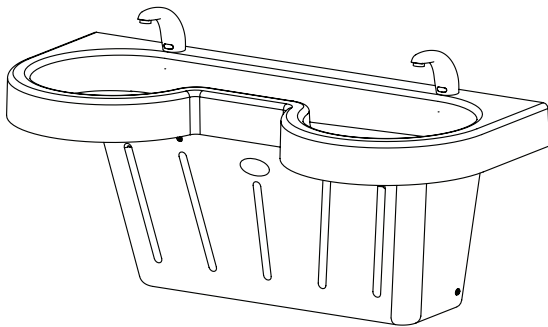


## EXD-2N

### Express® Deck Lavatory System EXD-Series

(Standard and Wall-Hung Pedestals)

Express® Decks are ADA and TAS compliant.



### Table of Contents

Dimensions .....	2-3
Rough-Ins .....	4-5
Installation Instructions .....	6-9
Cleaning and Maintenance .....	10
Assembly of Components .....	11
Navigator® Valve Troubleshooting .....	12
Navigator® Valve Repair Parts .....	12

## WARNING

Turn OFF electrical power to the electrical outlets, then unplug all electrical units prior to installation. Electrical power MUST remain off until installation is complete.

Installer's hardware must be appropriate for wall construction. Wall anchors must have a minimum pull-out rating of 1,000 lb.

## NOTICE

Make sure that all water supply lines have been flushed and then completely turned off before beginning installation. Debris in supply lines can cause valves to malfunction.

## IMPORTANT

Read this entire installation manual to ensure proper installation. When finished with the installation, file this manual with the owner or maintenance department. Compliance and conformity to local codes and ordinances is the responsibility of the installer. Product warranties may be found under "Products" on our website at [bradleycorp.com](http://bradleycorp.com).


Separate parts from packaging and make sure all parts are accounted for before discarding any packaging material. If any parts are missing, do not begin installation until you obtain the missing parts.

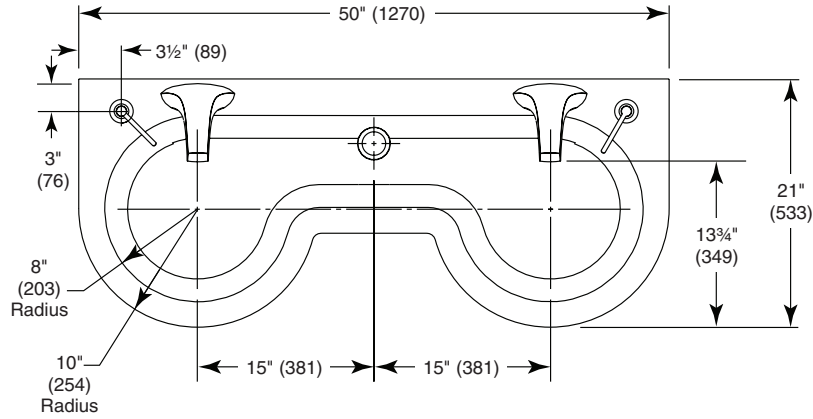
For standard height mounting, do not exceed the recommended 33.5" distance from the fixture rim to the finished floor.



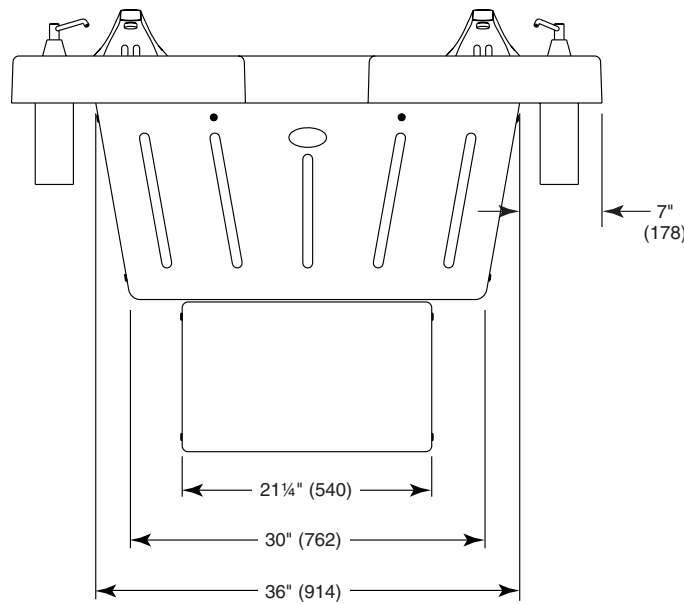
## EXD-2N/STD and EXD-2N/WH Dimensions

(mm)

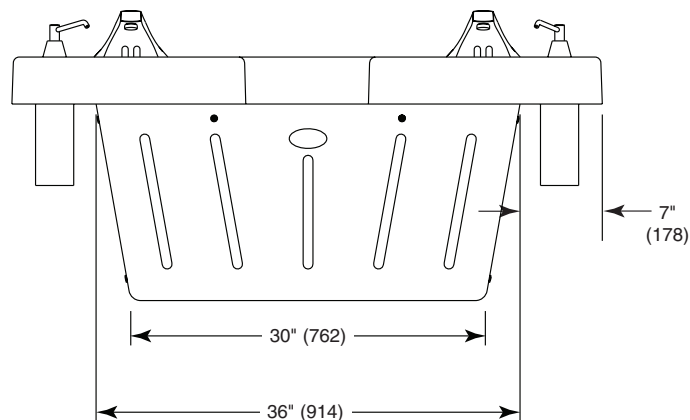
 Soap dispensers will fall outside of the access panel and 8" center set faucets may have components that fall outside of the access panel.



Standard  
Height

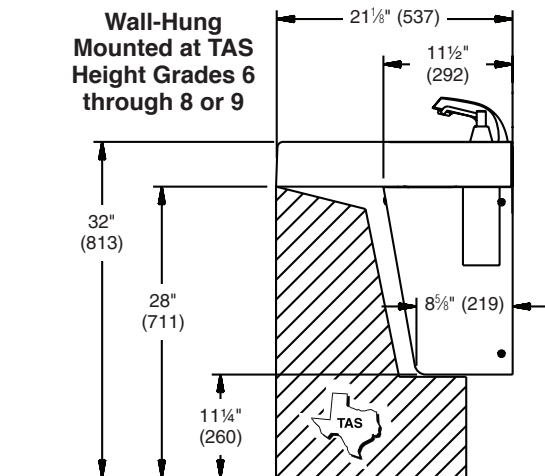
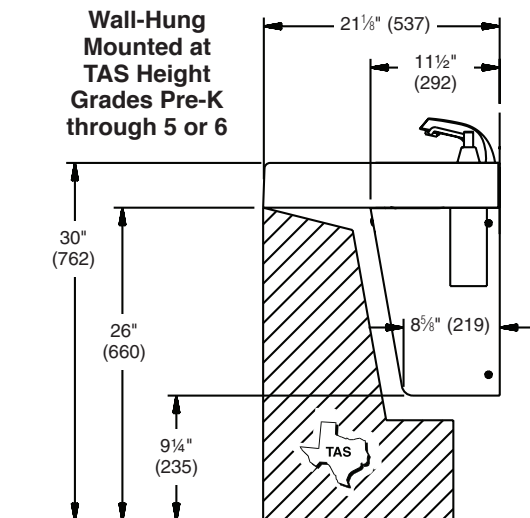
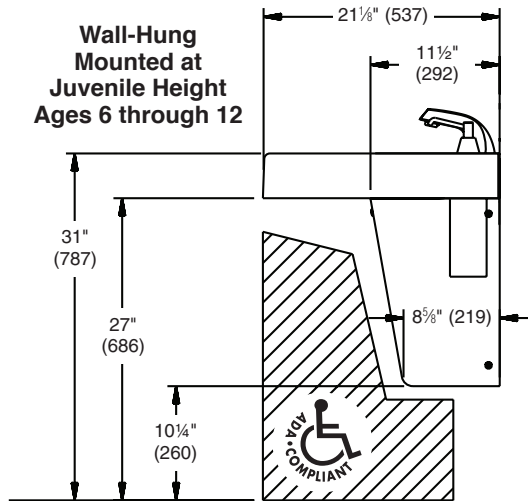
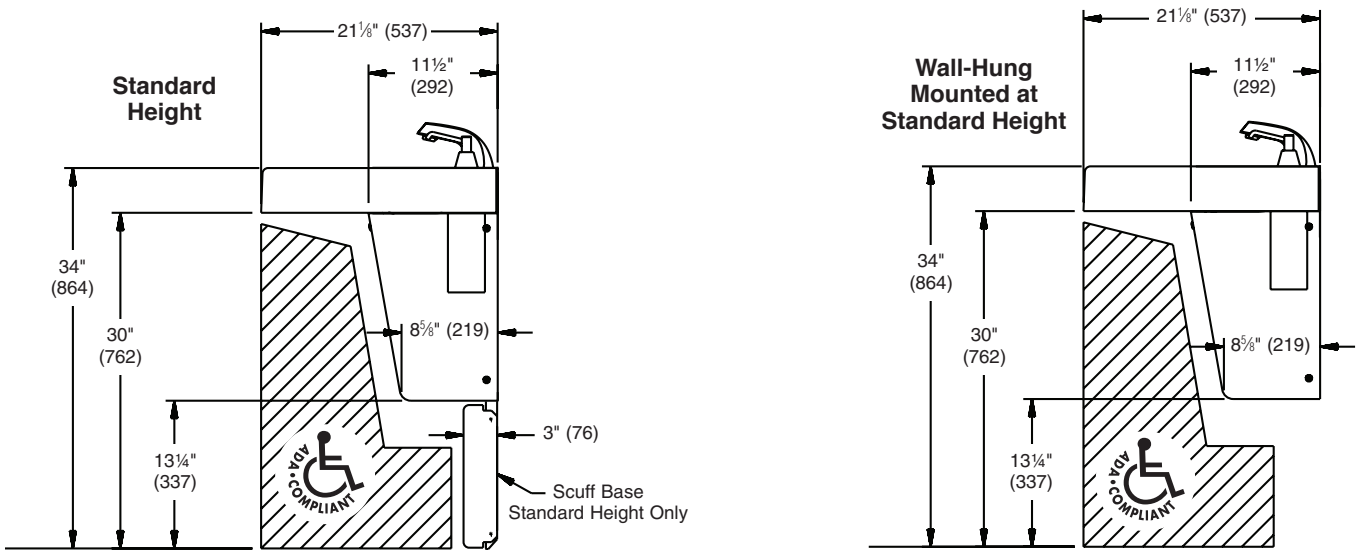


Wall-Hung  
Height



# EXD-2N/STD and EXD-2N/WH Dimensions

(mm)



## Installation Instructions

### Supplies required for installation:

- (6) 3/8" wall anchors, bolts and 1" min. O.D. washers to mount main frame and bowl to wall (minimum pull-out rating of 1,000 lb)
- STD. HEIGHT ONLY: (2) 3/8" wall anchors, bolts and 1" min. O.D. washers to mount scuff base to wall
- 1/2" Nominal copper tubing for hot and cold supply piping
- 1½" NPT drain piping
- 110V electrical outlet for optional 110/24 VAC plug-in transformer, if required
- (2) #10 wall anchors and fasteners for optional Navigator valve mounting

### Step 1: Rough-In



**IMPORTANT:** Dimensions shown in Figure 1 on page 5 are for a Standard and Wall-Hung Pedestal Express® Deck only. Make sure to follow appropriate dimensions based on configuration and required rim height. See Charts 1 and 2 on page 5 before beginning rough-ins.

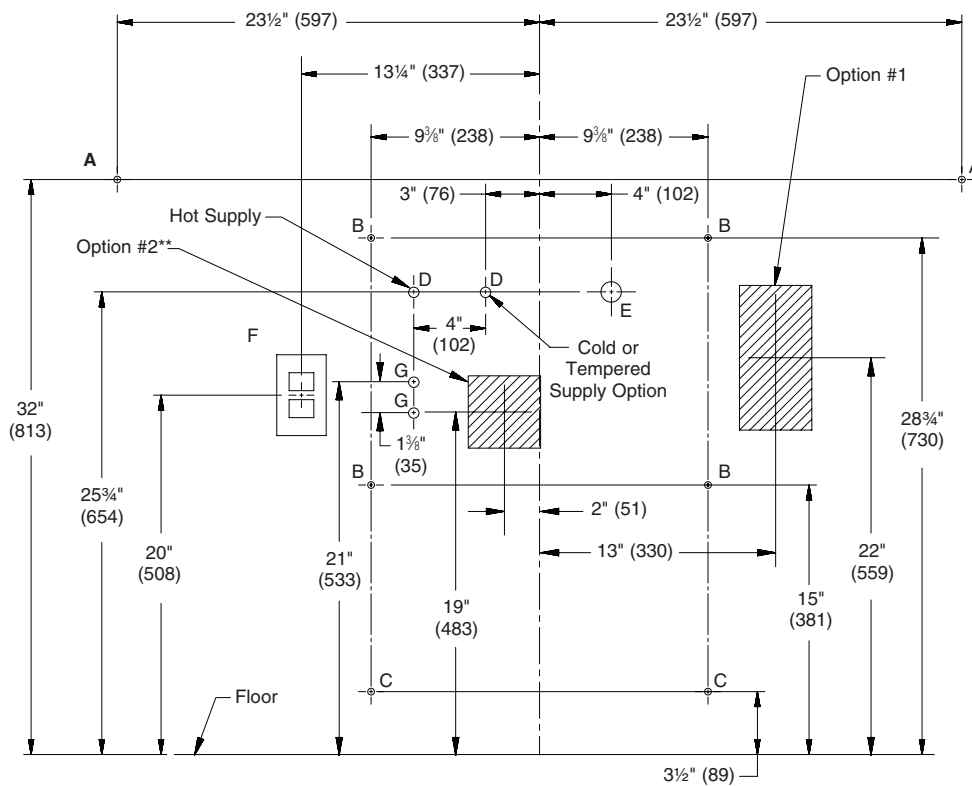
1. Rough in 1/2" nominal copper tubing for hot and cold supply lines through wall at dimensions shown.
2. Rough in 1½" NPT drain waste connection through wall at dimensions shown.
3. FOR OPTIONAL ELECTRIC FAUCETS: Install the 110V GFCI electrical outlet per local code at the location shown in Figure 1.
4. Install four to six 3/8" wall anchors with a minimum pull-out rating of 1,000 lb (supplied by installer) at the locations shown in Figure 1.
5. On the back of the bowl, measure the distance between the 3/4" bowl mounting holes. Divide this measurement in half. Measure and mark this dimension on the wall to the left of the centerline and to the right of the centerline. Install two 3/8" wall anchors with a minimum pull-out rating of 1,000 lb (supplied by installer) at the locations marked (ref. location "A" shown in Figure 1).

*NOTE: Wall anchors at location "C" (standard frame only) do not require a minimum pull-out rating of 1,000 lb.*

*NOTE: The anchors will be used to mount the Express® Deck bowl and frame to the wall.*

# EXD-2N Rough-Ins

(mm)



\* Option 1 - Recommended 240V/208V or 277V  
Electrical Box Location (4"L x 4"W x 8"H)  
or  
\*\*Option 2 - Recommended 240V/208V or 277V  
Electrical Box Location (4"L x 4"W x 4"H)

Figure 1

CHART 1

RIM HEIGHT	VERTICAL HEIGHT ADJUSTMENTS "A" THROUGH "F"	FIXTURE STYLE
34"	NONE	STANDARD HEIGHT
34"	NONE	WALL HUNG
32"	SUBTRACT 2"	TAS, GRADES 6 THRU 8/9
31"	SUBTRACT 3"	JUVENILE HEIGHT
30"	SUBTRACT 4"	TAS, PRE-K THROUGH 5/6

CHART 2

CODE	DESCRIPTION	QTY.
"A"	3/8" BOWL WALL ANCHORS WITH A MINIMUM PULL-OUT FORCE OF 1,000 LB	2
"B"	3/8" MAIN FRAME WALL ANCHORS WITH A MINIMUM PULL-OUT FORCE OF 1,000 LB	6
"C"	3/8" BASE FRAME WALL ANCHORS, STANDARD FRAME OPTION ONLY.	2
"D"	1/2" NOMINAL COPPER TUBING HOT/COLD SUPPLIES, STUB OUT 2" FROM WALL	2
"E"	1-1/2" NPT DRAIN, STUB OUT 2" FROM WALL	1
"F"	110V GFCI PROTECTED ELECTRIC OUTLET (FOR OPTIONAL ELECTRONIC FAUCETS)	1
"G"	#10 WALL ANCHORS/FASTENERS FOR OPTIONAL NAVIGATOR® VALVE MOUNTING	2

## Installation Instructions *continued . . .*

### Step 2: Mounting Frame to Wall

1. Using a T20 Torx key, remove the six #10-24 flat head Torx screws and #10 finish washers securing the access panel to the main frame, and remove the panel (Figure 2).
2. Position the frame against the wall, ensuring that it is level.

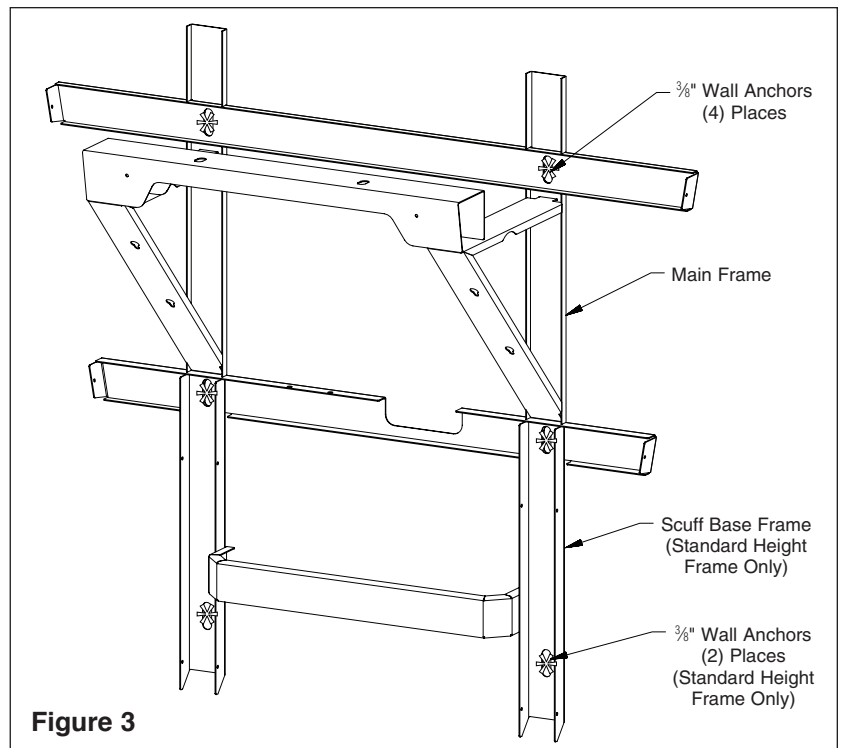
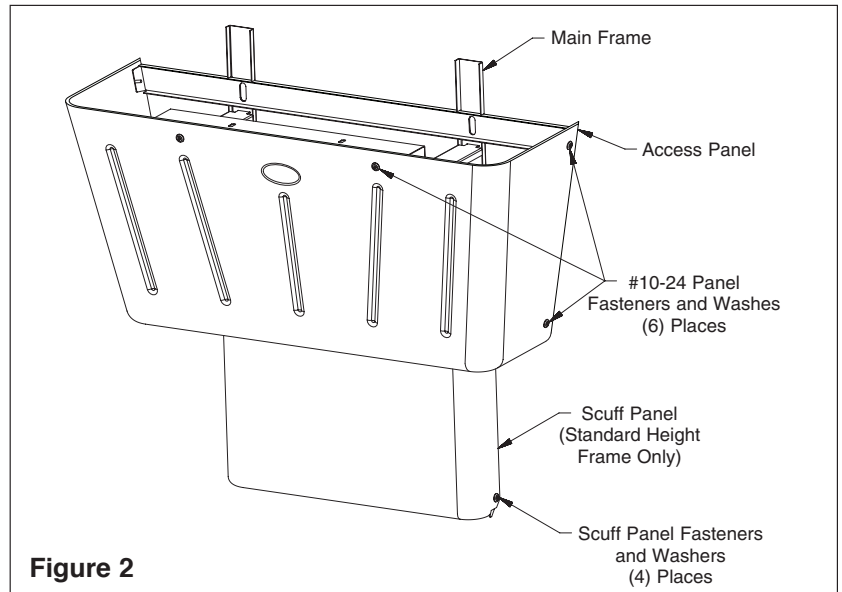


**IMPORTANT: Anchoring the frame to a wall that is *not* flat may cause the frame to bend, making it difficult to reinstall the access panels.**

3. Ensure that the back of the frame is flat against the wall.

4. Once you have positioned the frame such that it is level (and resting on the floor, standard height frame only) and flat against the wall, use the 3/8" bolts and 1" min. O.D. washers to mount the frame to the wall (Figure 3).

5. When mounting the standard height frame, mount the scuff base to the wall at the same time using the two additional 3/8" bolts and washers mentioned in Step 1, procedure #3 on page 4 (Figure 3).



## Installation Instructions *continued* . . .

### Step 3: Installing Bowl

**⚠ WARNING:** To prevent serious injury and/or damage to the bowl, move and position the bowl with the assistance of another person and always use appropriate lifting procedures.

**NOTE:** Refer to Figure 4 below when installing the bowl.

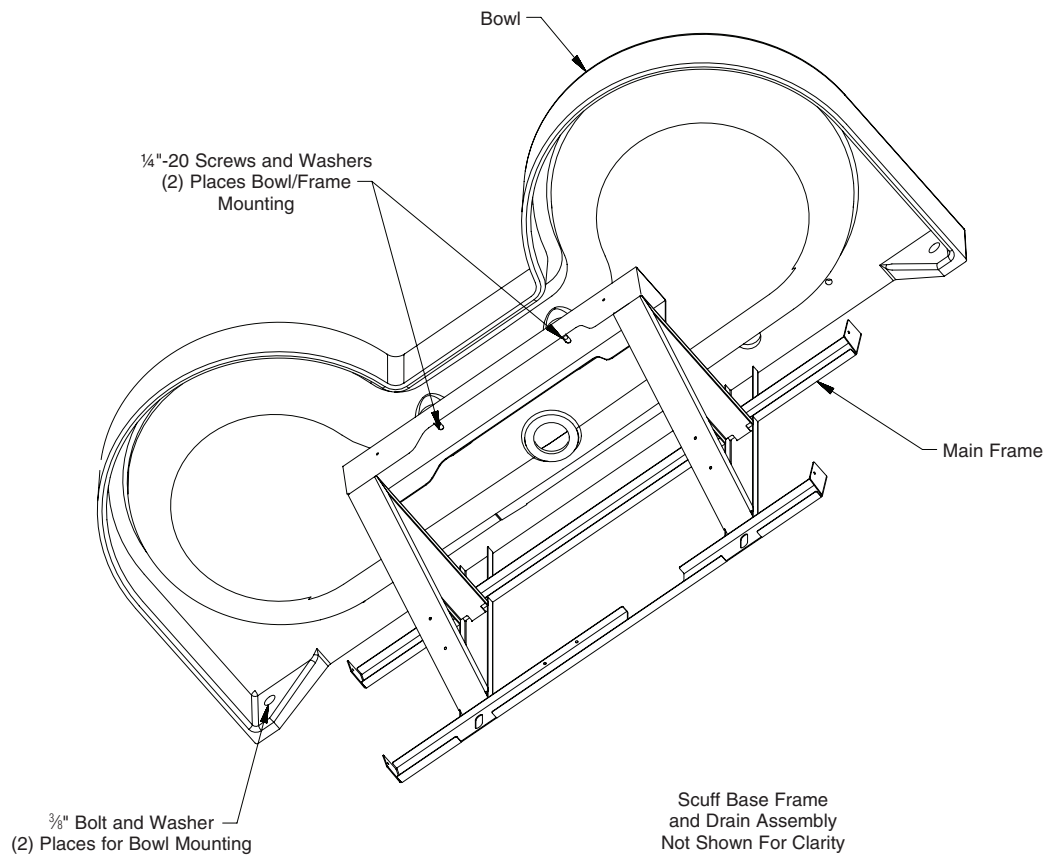
1. With someone to assist you, place the bowl squarely onto the frame.
2. Attach the front underside of the bowl to the frame using the two 1/4"-20 x 1/2" pan-head screws and washers provided. **Do not tighten bolts at this time.**



**IMPORTANT:** When bolting the bowl to the frame and wall, do not overtighten bolts. Overtightening bolts can damage the Terreon® material.

3. After the bowl is attached to the frame, use 3/8" bolts and 1" min. O.D. washers (supplied by the installer) to bolt the bowl to the wall anchors, two places.
4. Tighten the screws installed in procedure #2 above to secure the bowl to the frame. **Do not overtighten.**

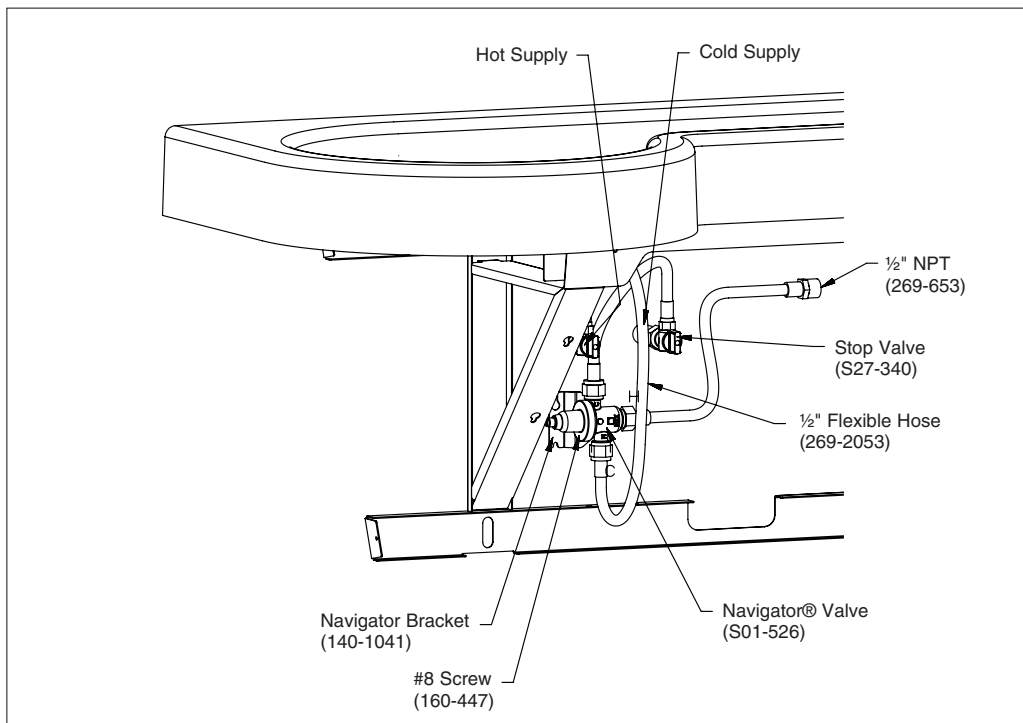
Figure 4



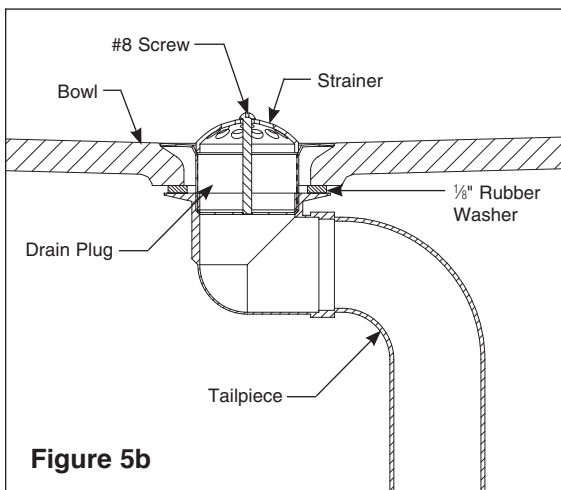
## Installation Instructions *continued* . . .

### Step 4: Connecting Supply and Drain

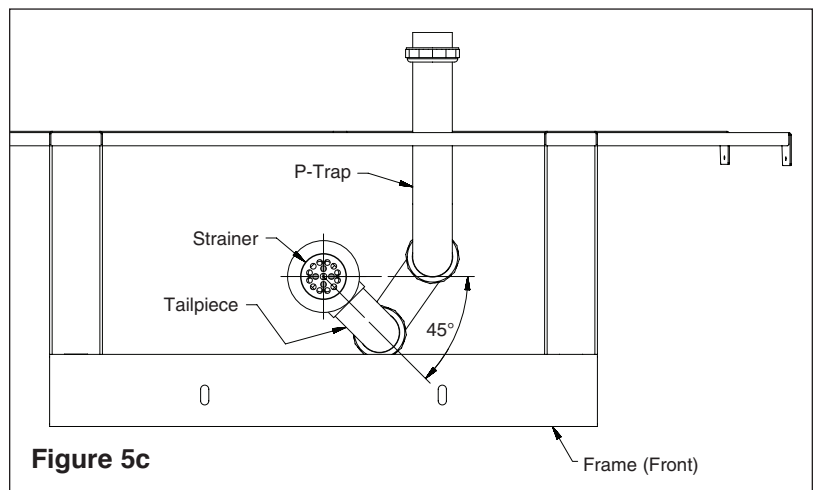
1. Connect the Navigator® Thermostatic Mixing Valve as shown in Figure 5a.
2. Install the drain plug in the drain hole in the bowl (see Figure 5b).
3. Beneath the bowl, install the 1/8" rubber washer and the threaded tailpiece onto the drain plug.
4. Assemble the P-trap by connecting the 1½" tubular pipe to the tailpiece and to the 1½" drain pipe stubbed out of the wall (see Figure 5c).
5. Install the strainer on the drain plug opening inside the bowl using the #8 screw.



**Figure 5a**



**Figure 5b**



**Figure 5c**

## Installation Instructions *continued* . . .

### Step 5: Completing Installation

1. Install the faucets according to the installation instructions that came with your faucets. Faucets that are 8" center set drilling may have components that fall outside of the access panel.
2. Turn on the water supply to the Express® Deck and check for leaks.
3. FOR DECKS WITH INFRARED FAUCETS ONLY: Turn on the electrical power to the electrical outlet and pass your hand in front of each faucet's sensor until all the air is purged from the lines and water is flowing smoothly.

### Step 6: Adjust the Temperature

*NOTE: This valve is NOT factory preset. Upon installation, the temperature of this valve must be checked and adjusted to ensure delivery of a safe water temperature. Water in excess of 110°F (43°C) may cause scalding.*

1. Loosen the cap screw about ¼" (4–6 turns) and lift up the cover (do not remove).
2. Using the cover, turn the cartridge gently until desired water temperature is reached. Do not turn past stops as this may damage the unit. Push the cover down and tighten the screw.
3. After testing is complete, reinstall panel to frame. Fasten panel with eight Torx-head screws provided (see Figure 2 on page 6).

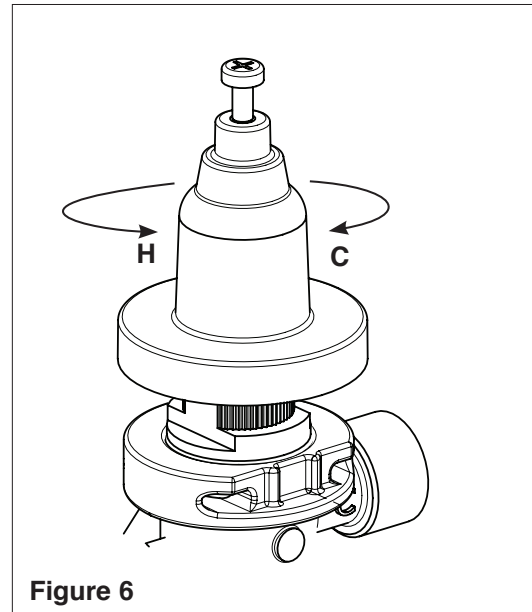


Figure 6

## Cleaning and Maintenance for Terreon® (Basin)

**Material Description:** Terreon is a densified solid surface material composed of bio-based resin and is resistant to chemicals, stains, burns, and impact. Surface can be easily repaired with everyday cleansers or fine grit abrasives. Because Terreon is a unique cast material, its aggregate flow and distribution, and shades of color can vary from product to product creating natural characteristics.

**Routine Cleaning:** For regular cleaning, use mild neutral base cleaners.

**Stubborn Stains:** Remove tough stains with Soft-Scrub® and a green Scotch-Brite® pad or lightly sand in a circular motion with 240 grit wet/dry sandpaper. The finish can then be renewed with a maroon Scotch-Brite pad.

**Scratches:** Remove scratches with a green Scotch-Brite pad. The finish can then be renewed with a maroon Scotch-Brite pad.

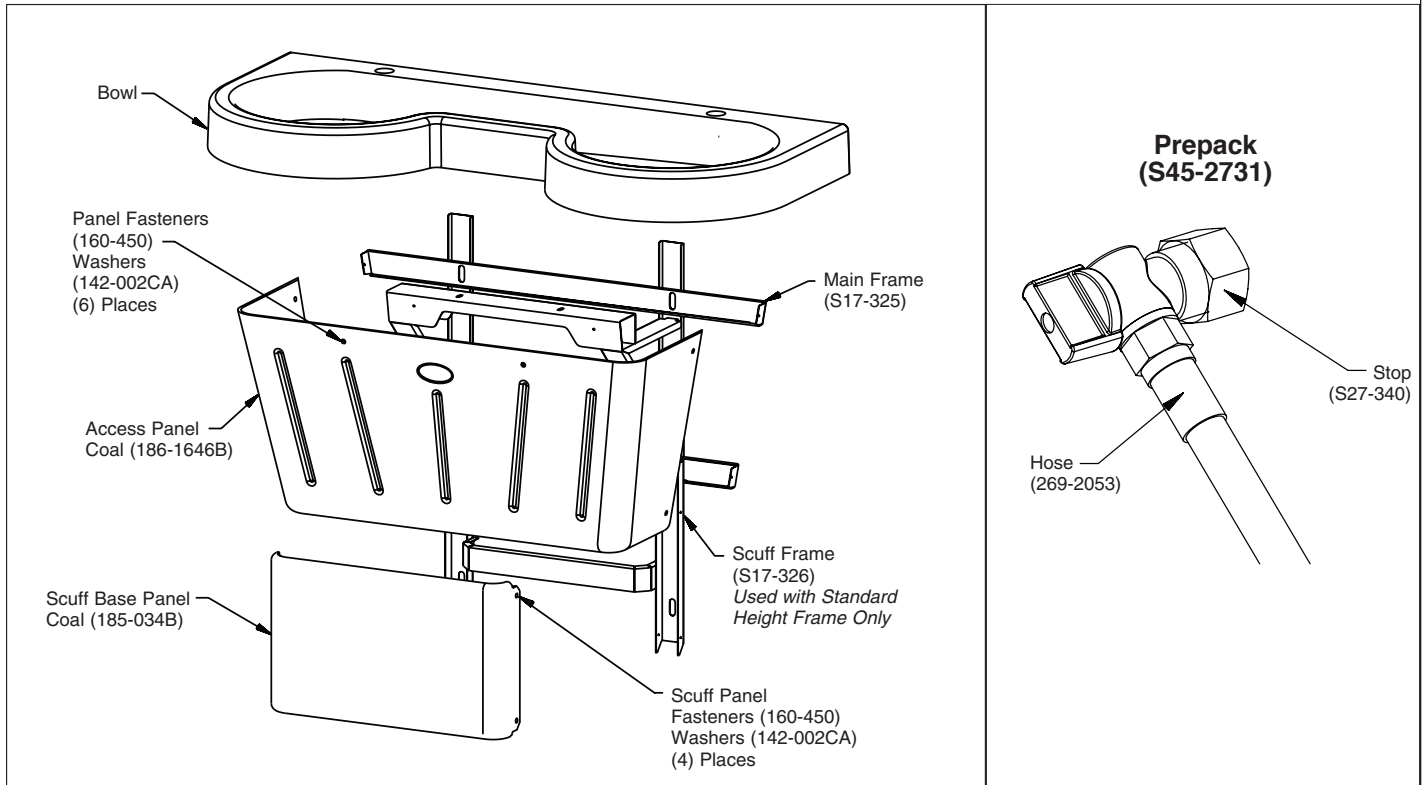
**Hard Water Deposits:** Remove hard water deposits with a mild solution of vinegar and water. Always rinse the unit thoroughly after cleaning.

**Restoring the surface:** Use Hope's® Perfect Countertop to refresh and protect the Terreon Solid Surface material. Dark Terreon colors may require additional care and maintenance. For complete instructions on this additional maintenance, visit [bradleycorp.com](http://bradleycorp.com).

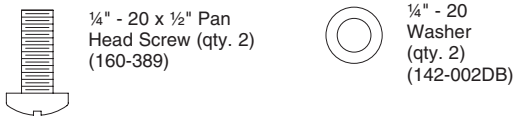
**Repair Kits:** Terreon repair kits are available. Contact your Bradley representative or distributor for part numbers and pricing. Repair kits are made to order and have a shelf life of 30 days.

*NOTE: Do not use strong acid or alkaline chemicals and cleaners to clean Terreon. If these chemicals come in contact with the surface, wipe them off immediately and rinse with soapy water. Avoid contact with harsh chemicals such as paint remover, bleach, acetone, etc. Avoid contact with hot pans and objects.*

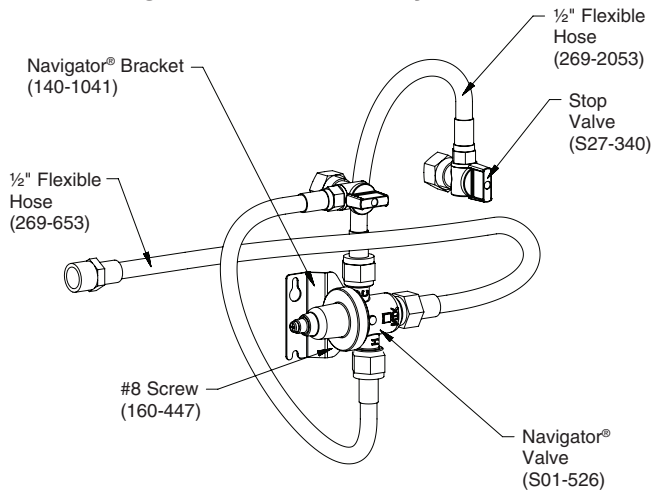
# Assembly of Components



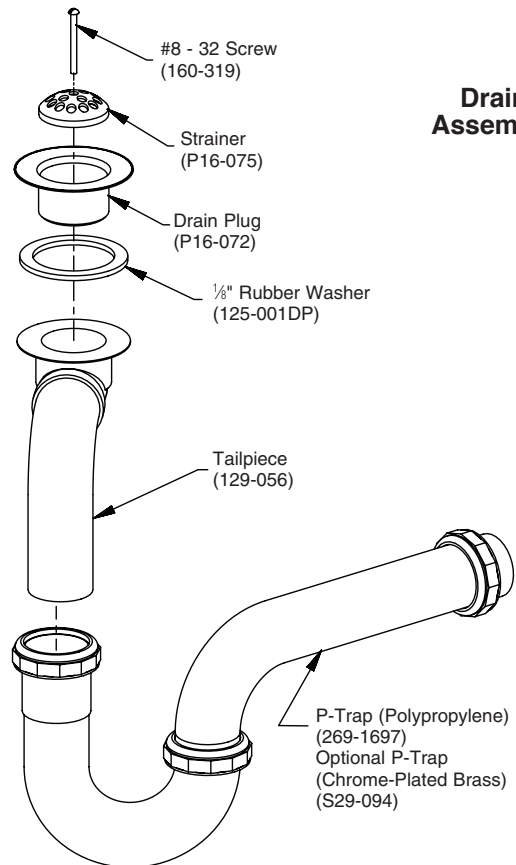
## Bowl Mounting Hardware



## Navigator® Valve Assembly



## Drain Assembly



## Thermostatic Mixing Valve Troubleshooting

**⚠** Before attempting to troubleshoot the valve or disassemble the components, check for the following conditions:

- If stop valves are used, make sure that they are fully open.
- Make sure that the hot and cold inlet pipes are connected properly, and that there are no cross-connections or leaking stop valves.
- Check the hot water heater output to make sure that it is at least 10° F above the set temperature.

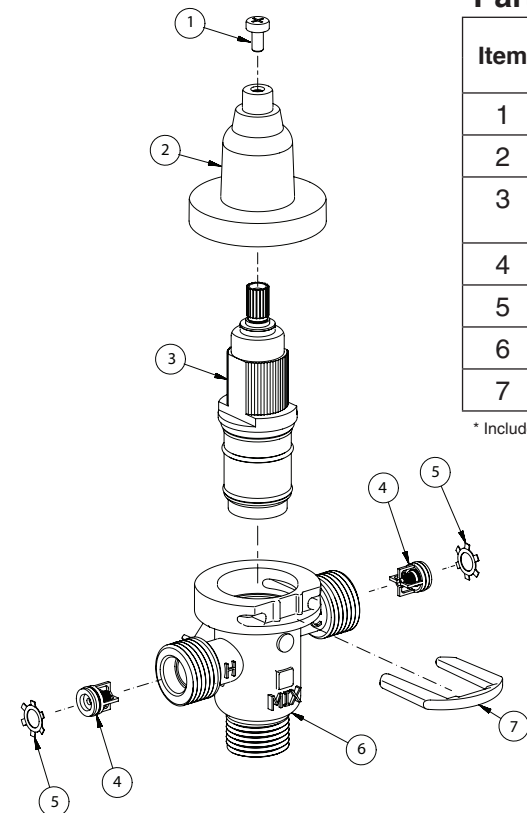
**☑** Be sure to close the appropriate shut-off valves prior to disassembly of the valve and reopen the valves after inspection and repair is complete.

Problem	Cause	Solution
External leaks.	Damaged cartridge or O-rings.	Replace cartridge with part number 269-1927
Improper water temperature or temperature fluctuation.	Hot water supply is not 10° above desired set point.	Increase hot water supply temperature
	Valve temperature is not properly set.	Adjust the temperature as shown on page 9, step 6.
Limited water flow.	Dirt and debris have built up in the valve or strainer.	<p>1. Check to make sure both hot and cold supplies are connected to the Navigator mixing valve and that they have water flow.</p> <p>2. Remove cover and U-clip. Remove the cartridge and clean the strainer. It is not required to grease cartridge, however if desired, use silicone grease only. Do not use grease on check valves.</p>

### Parts List

Item	Part No.	Description	Quantity		
			S59-4000	S59-4000A	S59-4000BY
1	160-463	Cap Screw	1	1	1
2	107-582	Cover	1	1	1
3	269-1927	Thermostatic Cartridge	1	1	1
4	198-014	Check Valve*	2	2	2
5	132-051	Retaining Ring*	2	2	2
6	118-319	Valve Body	1	1	1
7	146-079	U-Clip	1	1	1

\* Included with Prepack S65-326



#### Tempered Line Adapter Option Part no. S39-804

(replaces S59-4000 if tempered line is used)

