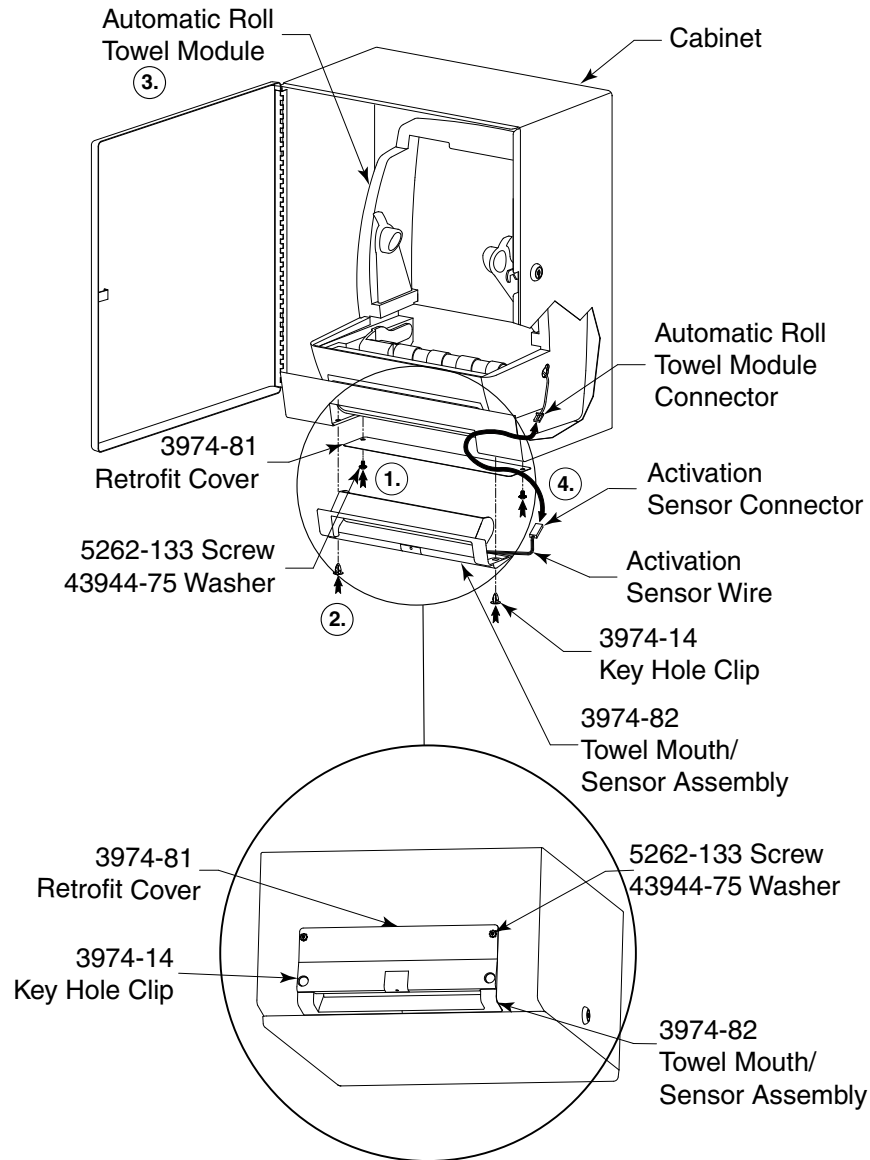


REPLACEMENT FOR AUTOMATIC ROLL TOWEL MODULE (For units without external LED light) Using 3974-80 Retrofit Kit



Remove the existing Automatic Roll Towel Module and the Towel Mouth.

1. Attach 3974-81 Retrofit Cover to the bottom of the Cabinet using provided 5262-133 Screws and 43944-75 Lock Washers.
2. Install 3974-82 Towel Mouth/Sensor Assembly by using 3974-14 Key Hole Clips. Towel Mouth should overlap 3974-81 Retrofit Cover slightly with the Activation Sensor Connector and Wire placed inside the Cabinet.

Take care at all times to not pinch the Activation Sensor Wire.

3. Install the new Automatic Roll Towel Module in cabinet using 5262-133 Screws and 43944-75 Lock Washers. Ensure that all 5262-133 screws are securely installed.
4. Connect the Automatic Roll Towel Module Connector to the Activation Sensor Connector.



In the U.S.A.: BOBRICK WASHROOM EQUIPMENT, INC.

Los Angeles: 6901 Tujunga Ave., North Hollywood, CA 91605-6213; Tel: (818) 982-9600, FAX: (818) 503-1102
New York: 200 Commerce Drive, Clifton Park, NY 12065-1350; Tel: (518) 877-7444, FAX: (518) 877-5029,
or e-mail: customerservice@bobrick.com

In Canada: BOBRICK WASHROOM EQUIPMENT COMPANY

45 Rolark Drive, Scarborough, Ontario M1R 3B1 • Eastern Canada: Tel: (877) 423-6555 • FAX: (877) 423-8555
• Western Canada: Tel: (877) 423-6444 • FAX: (877) 423-8444