



AMERICAN SPECIALTIES, INC.

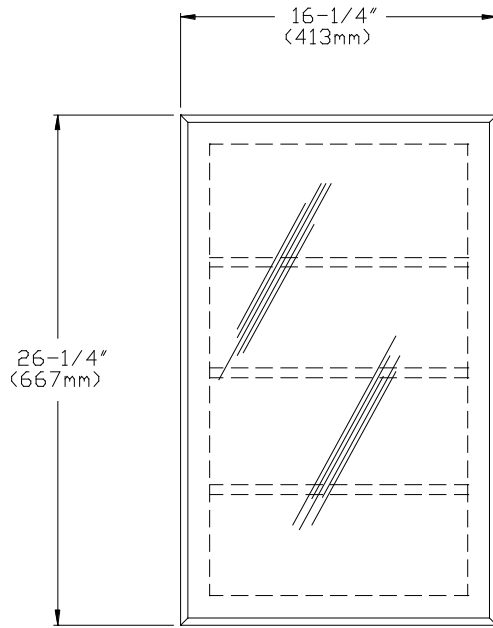
441 Saw Mill River Road, Yonkers, NY 10701 (914) 476-9000

MODEL No: 8337

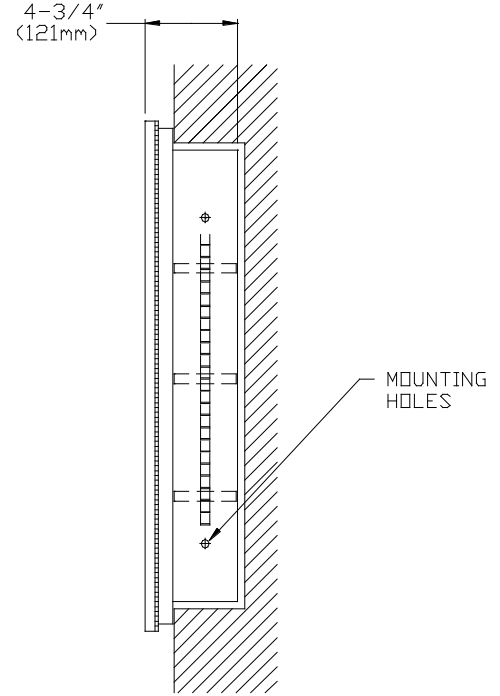
ISSUED: 1-87

REVISED: 10-99

RECESSED MEDICINE CABINET WITH MIRROR SWING-DOOR



FRONT VIEW



SIDE VIEW

SPECIFICATION

Recessed Medicine Cabinet with Mirror Swing-Door shall be fabricated of cold rolled steel with a neutral baked enamel finish. Cabinet interior shall have three (3) adjustable white baked enamel steel shelves. Interior face trim shall be of one-piece construction with hairline miters and no exposed fasteners or welded seams. Mirror shall be 1/4" (6mm) thick N^o1 quality polished float/plate glass and shall have a warranty against silver spoilage of fifteen (15) years. Stainless steel door channel-frame shall be attached to cabinet with a full-length, heavy-duty 3/16" (5mm) dia. steel multi-staked piano hinge, painted to match cabinet, and shall be held closed with a magnetic catch. Structural assembly of cabinet and door components shall be of welded construction.

Recessed Medicine Cabinet with Mirror Swing-Door shall be Model N^o8337 as manufactured by American Specialties, Inc., 441 Saw Mill River Road, Yonkers, New York 10701-4913

INSTALLATION

Unit is mounted in wall recess using four (4) N^o10 self tapping screws (supplied) through concealed mounting holes provided in cabinet sides. For maximum usability typical mounting height is 46" (1168mm) from bottom of mirror door above finished floor (AFF) or 12" (305mm) above lavatory counter top. For compliance with ADA Accessibility Guidelines, unit should be installed so that bottom edge of reflecting surface is no higher than 40" (1016mm) maximum AFF. Note that bottom edge of reflecting surface is 1/4" (6.4mm) below RWO and bottom edge of door is 3/4" (19mm) below RWO. Cabinet can be inverted to change left hand swing (shown) to right hand swing as required at installation site.

Rough Wall Opening (RWO) required is 14"W x 24"H x 3-1/2" D (356mm x 610mm x 89mm)

OPERATION

User pulls door to access contents and manually pushes door shut. Shelf spacings may be adjusted using internally embossed clip tracks.

Accessory Specialties

AMERICAN DISPENSER

Desert Ray Products

WATROUS INC.