



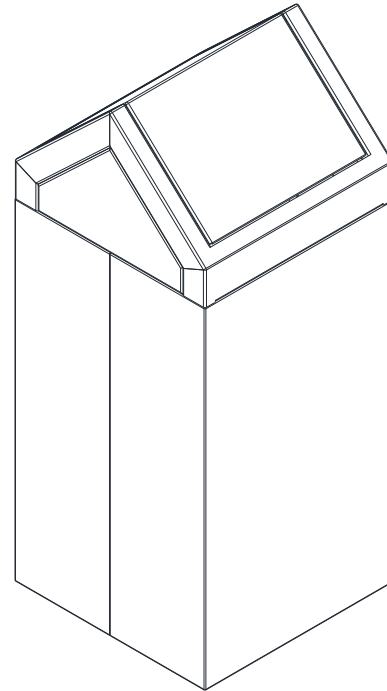
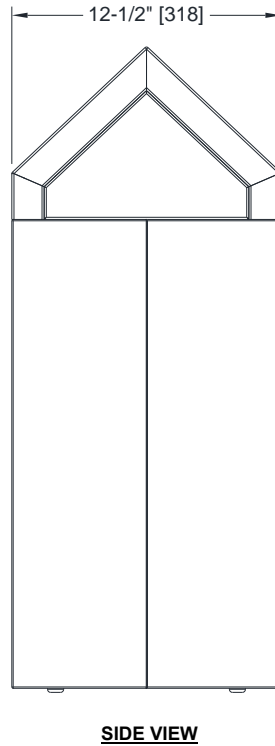
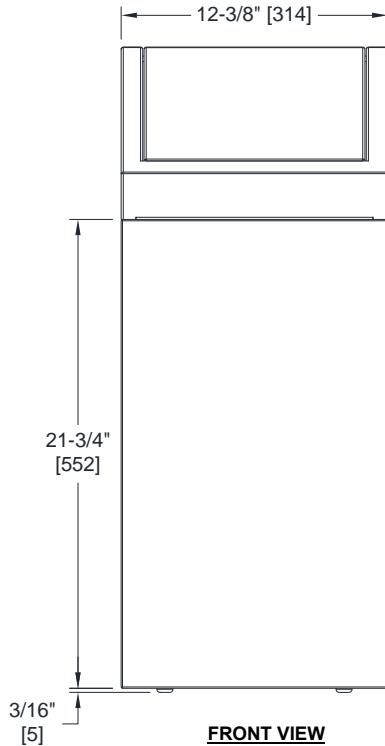
**AMERICAN SPECIALTIES, INC.**  
441 Saw Mill River Road, Yonkers, NY 10701  
(914) 476.9000 • (914) 476.0688  
www.americanspecialties.com

**MODEL №:** 0834-T

**ISSUED:** 06 MAY 2020

**REVISED:**

## STAINLESS STEEL FREE STANDING WASTE RECEPTACLE WITH DUAL SWING TOP



**ISOMETRIC**

**NOTE:**

ALL DIM'S INCH [MM]  
ILLUSTRATION FOR REF ONLY  
AND NTS

### **SPECIFICATION**

Stainless Steel Free Standing Waste Receptacle With Dual Swing Top shall hold 14 gals [54 L] of waste material. Unit shall be 22 gauge type 304 stainless steel alloy 18-with satin finish and be protected during shipment with PVC film easily removable after installation. Receptacle shall have no exposed fastening devices or spot welded seams. Top shall be removable for easy maintenance and have two self-closing swing doors. Each door shall have the international waste symbol affixed to it. Bottom of receptacle shall be equipped with four (4) non-removable rubber supports.

**Stainless Steel Free Standing Waste Receptacle With Dual Swing Top shall be Model № 0834-T as manufactured by American Specialties, Inc., 441 Saw Mill River Road, Yonkers, NY 10701-4913**

### **INSTALLATION**

Waste receptacle is free standing and should be placed in appropriate position on finished floor.

### **OPERATION**

Waste material is deposited into the receptacle through the push in doors. Use of a disposable trash liner bag recommended. The disposal bag is emptied of waste material on a cycle determined by maintenance needs by removing top assembly.