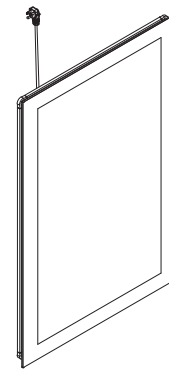
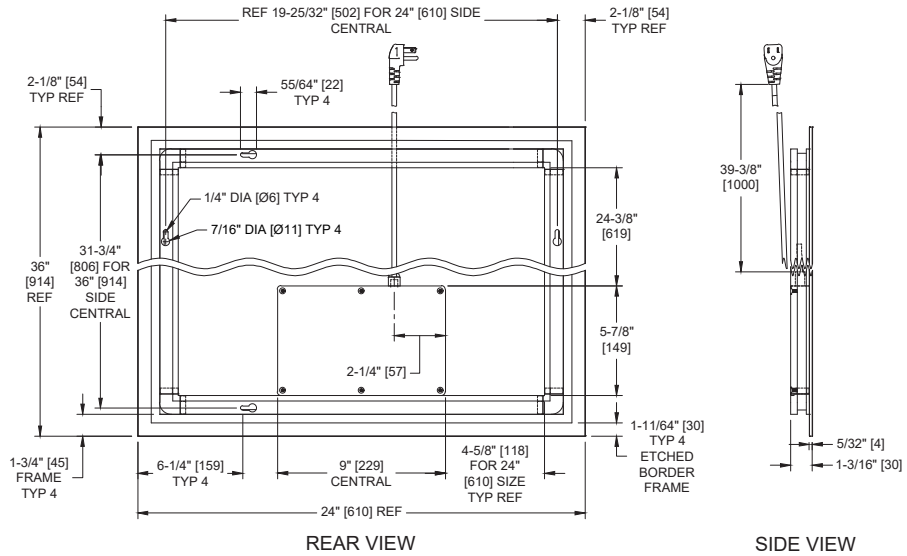


**Frameless - Plate Glass w/ Frosted Border - LED Halo Back Lighted - Surface Mounted**

Mirrors

MasterFormat Section 10 28 13



**NOTE:**  
ALL DIM'S INCH [MM]  
ILLUSTRATION FOR REF ONLY AND NTS  
FOR CLEANING INSTRUCTIONS SEE APPROPRIATE SECTIONS IN  
PRODUCT CARE & MAINTENANCE BULLETIN (PCM) ON ASI WEBSITE

Scan for Information



**SUSTAINABILITY/LEED**

MR 4.1 (1) MR 6 (1) EQ 4.2 (1)  
MR 4.2 (1) EQ 4.1 (1) EQ 4.4 (1)

**PRODUCT OVERVIEW**

Frameless polished edge mirror with integral mounting frame and frosted glass border LED halo lighting shall be consistent with A glazing and shall be 5/32" [4] thick. Hard wired LED lighting system shall be UL listed and shall operate on 100/240 VAC 50/60 Hz. Light color shall be the equivalent of 3500K. Unit shall be mountable in horizontal or vertical format without additional brackets or adaptations to mounting provisions. Power cord is supplied installed for use by owner if appropriate socket is provided on wall (by others) concealed by mounting frame of mirror and is 39-3/8" [1000] long with 3-prong USA pattern plug and is SVT 3x18AWG.

**KEY FEATURES & SPECIFICATIONS**

- Frameless mirror with a frosted border conceales LED backlighting to create modern elegance
- Mirror is mounted by an integral, concealed, aluminum mounting system
- Made of 5/32" [4] thick plate glass
- LED bulbs with an extended lifespan of up to 50,000 hours save energy and costs
- Surface Mounted
- Mirror can be mounted vertically or horizontally without adaptations
- 100V to 240V - 50/60 Hz. Light color is equivalent to 3500K

**TECHNICAL INFORMATION / PRODUCT PROPERTIES**

Property	Value
Dimensions	Various Sizes Available
Construction	5/32" [4] thick plate glass mirror Clear Anodized Aluminum closed-section Frame with press-fit plastic Corner Joiners & Plastic LED Control Box
Mounting	Surface Mounted
Power	Sizes 2436, 3036, 4836 are 35W @ 120V Size 6036 is 60W @ 120V

**INSTALLATION**

Keyhole mounting slots are provided in long and short sides of back frame. Mirror is to be hung on pre-installed pan head screws (provided) to be retained by screw heads engaged into the slots. Mounting screws must be tightened into appropriate wall anchors (plastic provided) or blocking (by others) to suit site conditions adequate to support weight of mirror. Power must be provided (by others) to allow hard wiring (by others) or plug-in to outlet (by others) installed (by others) of power cord (provided) to power LED control circuitry. Wall switch (by others) should be installed (by others) to control on-off function. Face of mirror will be 1-3/16" [30] from wall when installation is completed.

**SIZE OPTIONS**

Options	0641-2436 – 24" wide x 36" high [610 x 914] 0641-4836 – 48" wide x 36" high [1219 x 914]	0641-3036 – 30" wide x 36" high [610 x 914] 0641-6036 – 60" wide x 36" high [1524 x 914]
---------	---	---

Lumens	0641-2436 – 3240 Lumens 0641-4836 – 4680 Lumens	0641-3036 – 3580 Lumens 0641-6036 – 5420 Lumens
--------	--	--

**GLAZING OPTIONS**

N/A

**WARRANTY**

Five (5) Years from date of invoice