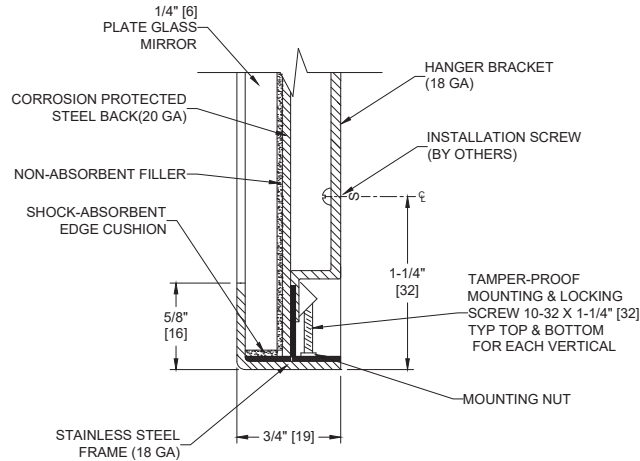
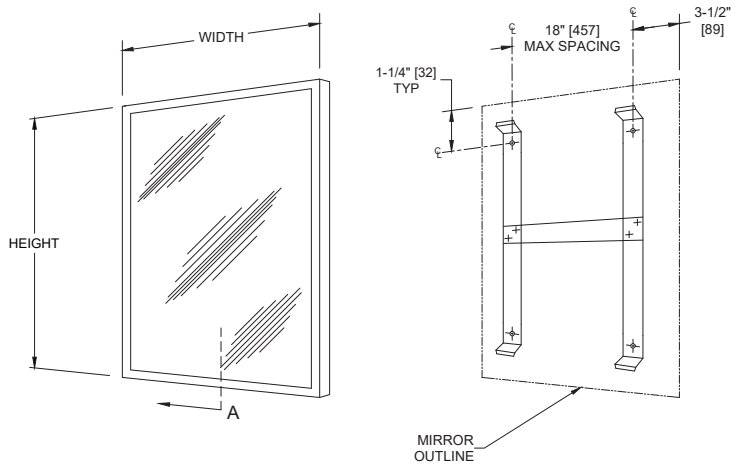


**Stainless Steel Inter-Lok Angle Frame – Plate Glass Mirror – Matte Black Powder Coated Stainless Steel – Variable Sizes**

Mirrors

MasterFormat Section 10 28 13



**NOTE:**  
ALL DIM'S INCH [MM]  
ILLUSTRATION FOR REF ONLY AND NTS  
FOR CLEANING INSTRUCTIONS SEE APPROPRIATE SECTIONS IN  
PRODUCT CARE & MAINTENANCE BULLETIN (PCM) ON ASI WEBSITE

Scan for Information



**SUSTAINABILITY/LEED**

MR 4.1 (1) MR 6 (1) EQ 4.2 (1)  
MR 4.2 (1) EQ 4.1 (1) EQ 4.4 (1)

**PRODUCT OVERVIEW**

3/4" [19] x 5/8" [16] roll formed Matte Black Powder Coated 18 gauge type 304, alloy 18-8 stainless steel angle has corners heliarc welded. Mirror is installed on a concealed hanging bracket that locks onto top and bottom of frame by tamper-proof set screws. Back plate is one piece, attached to frame with theft-resistant locking device.

**KEY FEATURES & SPECIFICATIONS**

- Roll formed, interlocking frame has heliarc welded corners
- Corners are polished smooth to a uniform Matte Black Powder Coated finish.
- Type 304, alloy 18-8 stainless steel - Matte Black Powder Coated
- Plate Glass Mirror
- Surface Mounted
- Various sizes

**TECHNICAL INFORMATION / PRODUCT PROPERTIES**

Property	Value
Dimensions	Various sizes
Construction	Type 304, alloy 18-8 stainless steel - Matte Black Powder Coated Plate Glass Mirror
Mounting	Surface Mounted
Materials	<p>Frame: 18-8, type 304, 18 gauge (.048" [1.2] thick) stainless steel. Unitized all welded construction. Corners mitered, welded and polished. Exposed surfaces have Satin Finish. Edges and corners are burr free.</p> <p>Glass: Standard glazing is #1 quality, 1/4" [6.4] thick plate/float, silver coated and hermetically sealed with a uniform coating of electrolytic copper plating, warranted against silver spoilage for 15 years. Mirrors meet Federal Spec. DD-M-411C, ASTM C-1503, and ASTM C-1036-91.</p> <p>Filler: Expanded polyethylene microcell foam sheet material, abrasion resistant and shock absorbing, water resistant, 1/8" [3.2] total layer thickness.</p>

**INSTALLATION**

Install bracket level and plumb as per diagram location using #10 self-threading screws (by others). Hang mirror on bracket and tighten locking screws at top & bottom. For compliance with 2010 ADA Accessibility Standards and 2015 ABA Standards, bottom edge of reflecting surface should be no higher than 40" [1016] Above Finished Floor.

**SIZE OPTIONS**

Plate Glass	0600-1836-41 - 18" [457] wide x 36" [914] high 0600-2448-41 - 24" [610] wide x 48" [1219] high	0600-2436-41 - 24" [610] wide x 36" [914] high
-------------	---	--

**GLAZING OPTIONS**

Not Available

**WARRANTY**

Warranted against silver spoilage for 15 years from date of Invoice