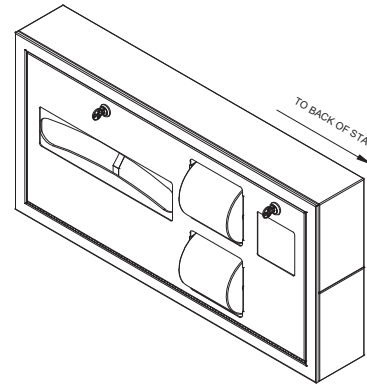
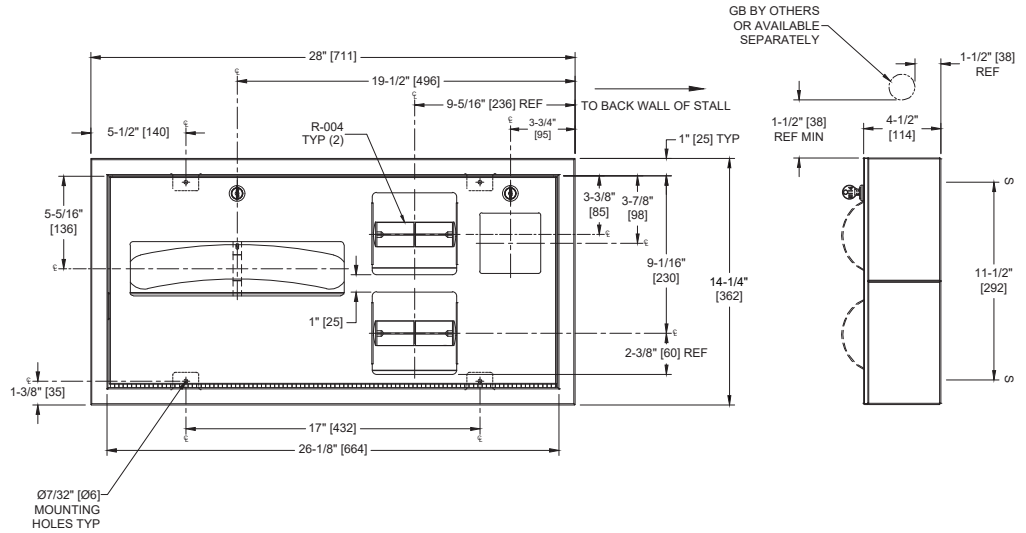


ADA Compliant Combination Toilet Tissue & Seat Cover Dispenser with Napkin Waste Disposal - Surface Mounted

Combination Units

Traditional

MasterFormat Section 10 28 13



NOTE:
ALL DIM'S INCH [MM]
ILLUSTRATION FOR REF ONLY AND NTS

Scan for Information



SUSTAINABILITY/LEED

MR 4.1 (1) MR 6 (1) EQ 4.2 (1)
MR 4.2 (1) EQ 4.1 (1) EQ 4.4 (1)

PRODUCT OVERVIEW

This surface mounted seat cover and toilet paper dispenser with sanitary napkin disposal for toilet compartments is specially manufactured to meet new Building Code requirements for ADA accessibility when mounted properly. Sleek and durable type 304 stainless steel, and double toilet tissue dispensers with vandal resistant rollers makes this accessory ideal for all building types and traffic environments. All components on opposite side from 0487-L-9. Dispenser door shall be 18 gauge type 304 stainless steel satin finish, face frame & Cabinet shall be 22 gauge same material. Cabinet door attached w/ multi staked piano hinge and tumbler lock.

KEY FEATURES & SPECIFICATIONS

- ADA Compliant, Horizontally Integrated.
- Self-closing disposal door, with removable waste container.
- Type 304 Stainless Steel - Satin Finish.
- Service door attached with full-length 3/16" [4,7] multi-staked piano hinge.
- Surface Mounted.
- Vandal resistant toilet tissue rollers.
- 500 Toilet Seat Covers, 2 Standard Toilet Tissue Rolls / 0.45 Gal. (1.7L) Waste Capacity.

OPERATION & MAINTENANCE

Push self-closing disposal door to deposit waste material. Seat covers are self-feeding until supply is depleted. Toilet paper rolls feed freely until depleted and level of supply is constantly visible for low-level warning. Waste receptacle is emptied and seat covers in box and toilet paper rolls are replenished manually on cycle determined by maintenance needs. Toilet paper rolls, paper seat covers and waste receptacle are serviced by unlocking and opening door. Locked door prevents inadvertent dumping and unauthorized removal. Waste container safety-edged finger hole provides convenient grip for service. Toilet paper spindles are carried in vandal resistant subframe accessible when door is opened.

TECHNICAL INFORMATION / PRODUCT PROPERTIES

Property	Value
Dimensions	28" [711] W x 4-1/2" [114] D x 14-1/4" [362] H
Construction	18 gauge type 304 Stainless Steel - Satin Finish Service door attached with full-length 3/16" [4,7] multi-staked piano hinge
Mounting	Surface Mounted
Capacity	500 Toilet Seat Covers 2 standard toilet tissue rolls 0.45 Gal. (1.7L) Waste Capacity

INSTALLATION

Surface mount unit on wall using four (4) #10 self-threading screws (by others) through concealed mounting holes provided. For compliance with ANSI A-117.1, 2010 ADA Accessibility Standards and 2015 ABA Standards the centerline of the TP Dispenser should be located within 7" [178] to 9" [229] of the front of the toilet and the TP Dispenser opening bottom should be 15" [381] minimum Above Finished Floor (AFF) while the Seat Cover Dispenser opening centerline should be no higher than 48" [1219] maximum AFF.

WARRANTY

One (1) Year from date of Invoice