



**AMERICAN SPECIALTIES, INC.**  
441 Saw Mill River Road, Yonkers, NY 10701  
(914) 476.9000 • (914) 476.0688  
www.americanspecialties.com

**MODEL №: 0386-0388 OM&IG**

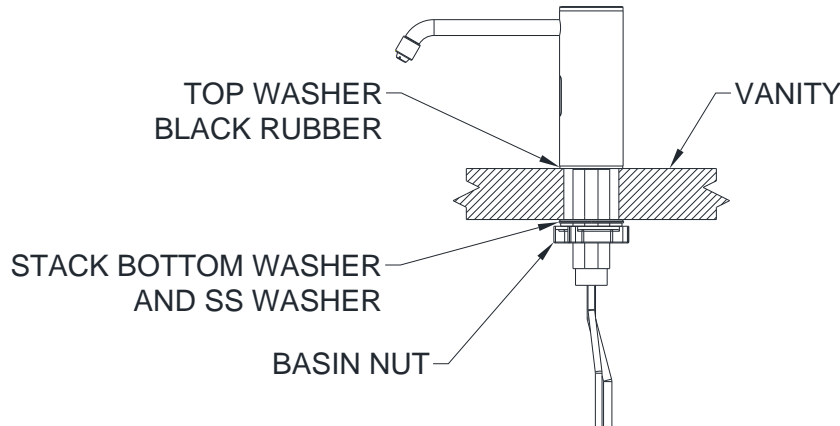
**ISSUED: 12 OCT 2020**

**REVISED:**

**OWNER'S MANUAL & INSTALLATION GUIDE, VANITY MOUNTED AUTOMATIC LIQUID SOAP DISPENSER AND CONTROL MODULE (Pg 1 of 3)**

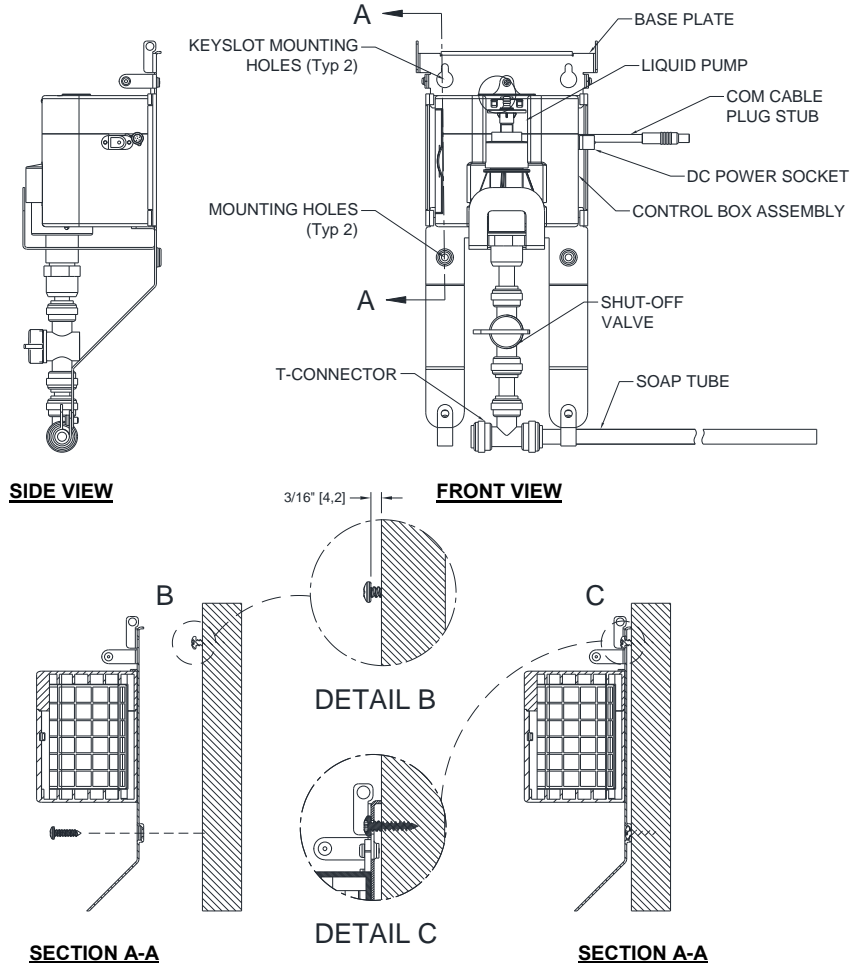
**INSTALLATION**

1. Install Liquid Soap Dispenser (FSD) Model № 0388 to counter top with washers and basin nut (supplied) through 1" Dia. [Ø25] hole (by others). (See Fig. 1)



**Fig. 1**

2. Install FSD Control Module (CM) Model № 0386 under vanity top using four (4) № 8 x 1" {M4 x 25} Phillips pan head self-threading screws (provided) into appropriate anchors (plastic provided; alternates by others) or blocking (by others) to suit site conditions. (See Fig. 2)



**Fig. 2**



**AMERICAN SPECIALTIES, INC.**  
441 Saw Mill River Road, Yonkers, NY 10701  
(914) 476.9000 • (914) 476.0688  
www.americanspecialties.com

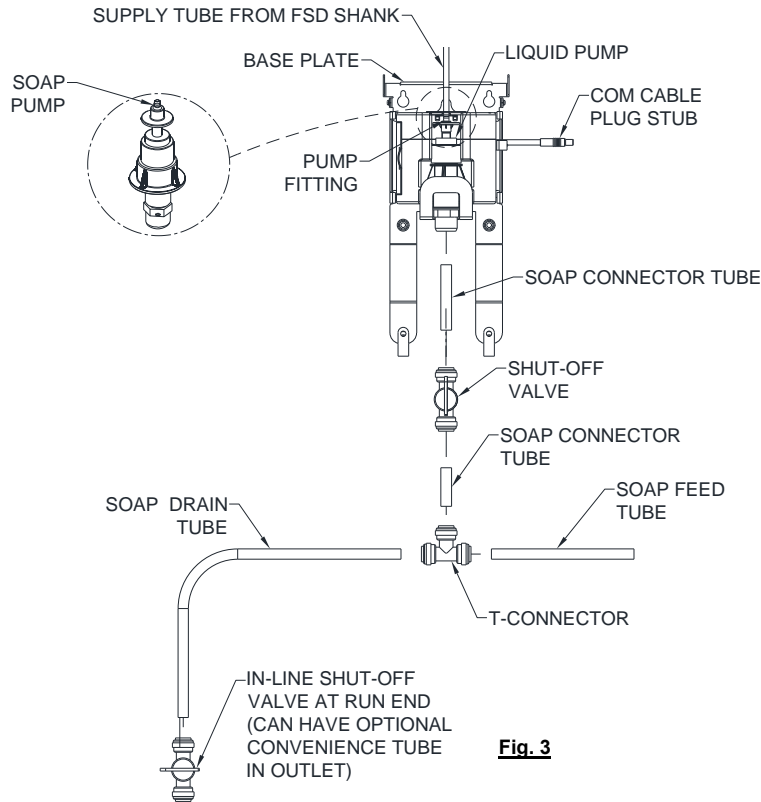
**MODEL №: 0386-0388 OM&IG**

**ISSUED: 12 OCT 2020**

**REVISED:**

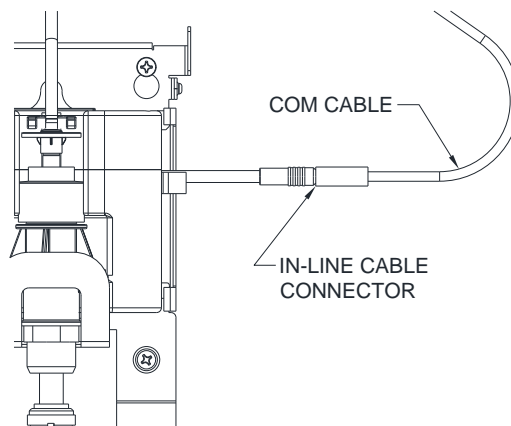
**OWNER'S MANUAL & INSTALLATION GUIDE, VANITY MOUNTED AUTOMATIC LIQUID SOAP DISPENSER AND CONTROL MODULE (Pg 2 of 3)**

3. Connect soap supply tube (provided installed in FSD shank, Model № 0388) to fitting on top of CM (Model № 0386). (See Fig. 3)



**Fig. 3**

4. Connect COM cable with multi-pin socket into control unit inline cable connector. (See Fig. 4)



**Fig. 4**

5. Use tube cutter after CM is installed to trim feed tube (provided) to minimum length required to reach supply connector fitting. Connect soap supply feed tube (provided) with firm push-in to hard stop into Top-Fill Tank (TFT) Model № 0387 L-fitting (provided) or T-fitting (provided) of previous module in chain of multi-unit installation.



**AMERICAN SPECIALTIES, INC.**  
441 Saw Mill River Road, Yonkers, NY 10701  
(914) 476.9000 • (914) 476.0688  
www.americanspecialties.com

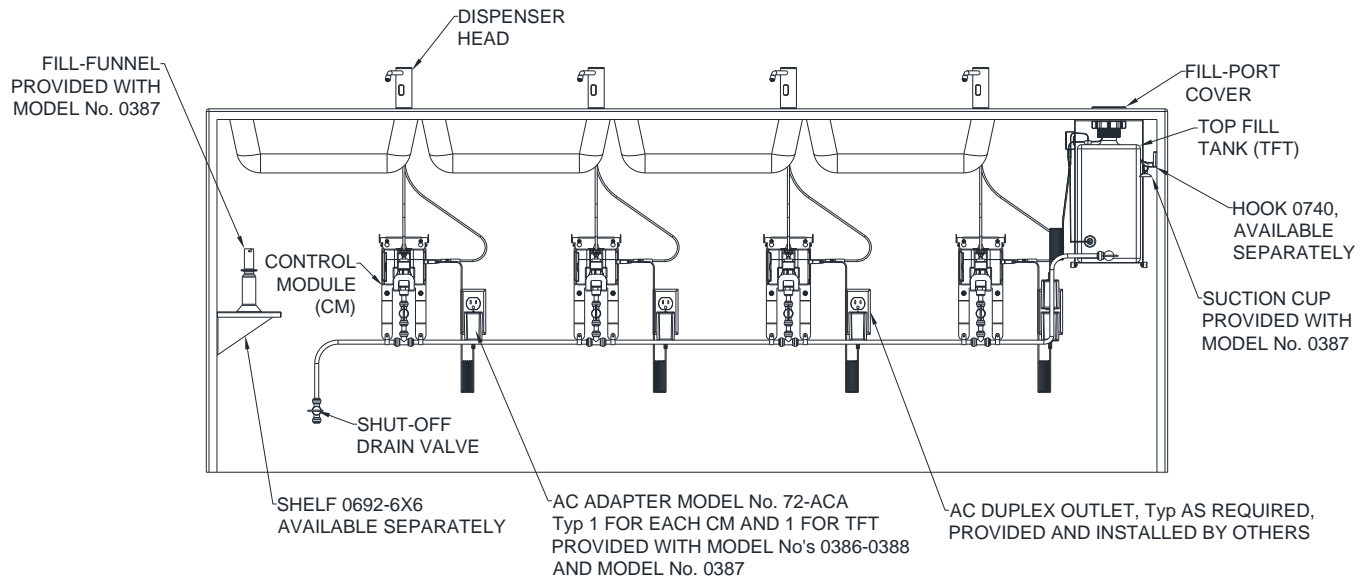
**MODEL No: 0386-0388 OM&IG**

**ISSUED: 12 OCT 2020**

**REVISED:**

**OWNER'S MANUAL & INSTALLATION GUIDE, VANITY MOUNTED AUTOMATIC LIQUID SOAP DISPENSER AND CONTROL MODULE (Pg 3 of 3)**

6. Fill TFT (see Model No 0387 OM&IG) with liquid soap having a pH in range  $7 \pm 1.5$  and within the viscosity range of 5–3000 cP (mPa·s). (See Fig. 5)



**Fig. 5**

7. Connect the shut-off valve (provided) at the end of the drain run tube (provided) and make sure it is in closed position. An optional drain tube (not shown, may be left over from supply tubes installation) may be installed in valve outlet to better direct liquid to collecting container (not shown, by others).
8. Open the CM's and TFT shut-off valves to FLOW position.
9. Connect power supply (Model No 72-ACA or Model No 0385-BP) into DC-Power jack (provided) located on the side of the CM.
10. Activate dispenser until liquid soap comes out of the spout.