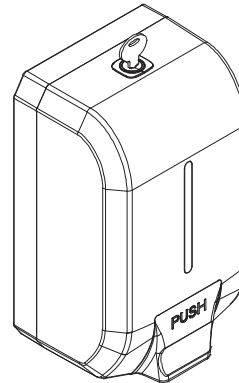
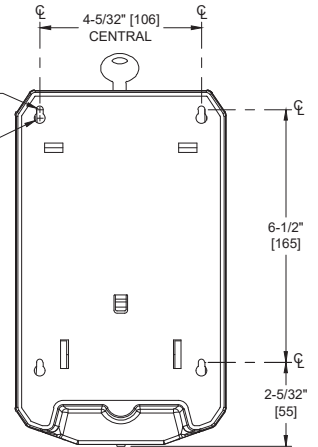
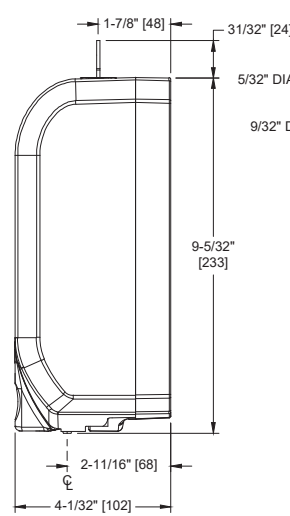
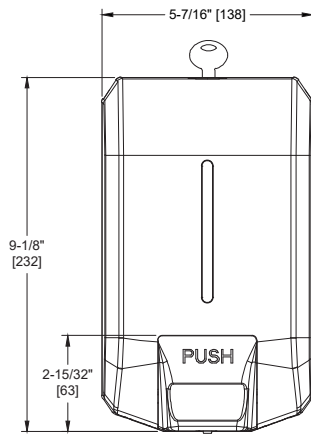


Soap Dispenser (Liquid and Antiseptic) – Surface Mounted

Soap Dispensers

MasterFormat Section 10 28 13



NOTE:
ALL DIM'S INCH [MM]
ILLUSTRATION FOR REF ONLY AND NTS
SEE SOAP DISPENSER CARE & MAINTENANCE
DOCUMENT ONLINE FOR CLEANING

Scan for Information



SUSTAINABILITY/LEED

MR 4.1 (1) MR 6 (1) EQ 4.2 (1)
MR 4.2 (1) EQ 4.1 (1) EQ 4.4 (1)

PRODUCT OVERVIEW

Dispenses up to 40.5 oz. (1.2 L) of a wide variety of antiseptic and liquid soaps, shampoos, lotions or detergents within the viscosity range of 550-2500 cP (mPa/s) and pH in the range of 5.5-8.5. Unit does NOT dispense liquid material containing abrasives such as pumice. Fabricated of impact resistant ABS plastic. Valve shall be constructed of concealed plastic body. Valve operation shall comply with 2010 ADA Accessibility Standards by requiring no more than 5 lbf (22.2 N) pressure to actuate and require no grasping or twisting by operator.

KEY FEATURES & SPECIFICATIONS

- Liquid and Antiseptic hand cleaner
- ABS Plastic Body
- Surface Mounted
- Manual Push Type
- Capacity - 40.5 oz. (1.2 L)
- Optically clear window in viewing slot protects dispensing mech and provides constant indication of supply level
- Tumbler key lock secures door and prevents unauthorized access

OPERATION & MAINTENANCE

Soap is manually dispensed by depressing push bar. Unit is reloaded through tamper resistant top cover. Soap tank will continue to feed properly until empty. Tank supply is replenished manually on cycle determined by maintenance needs. Clear tank provides continuous view of soap level.

TECHNICAL INFORMATION / PRODUCT PROPERTIES

Property	Value
Dimensions	5-7/16" x 9-5/32" x 4-1/32" [138 x 233 x 102]
Construction	ABS Plastic
Mounting	Surface Mounted
Options	N/A

INSTALLATION

Unit is surface mounted to wall or partition by means of mounting hardware (screws and plastic wall anchors are provided). Recommended installation for general utility is for bottom of unit to be mounted at 42" [1066] Above Finished Floor (AFF) or for compliance with 2010 ADA Accessibility Standards install unit with top of push bar no higher than 48" [1219] AFF.

WARRANTY

One (1) Year from date of Invoice