



# Z5640

## 1.6 GPF ADA, Elongated, Floor Mounted, TAG Back Outlet Flush Valve Toilet



### Z5640

- 1.6 gpf (gallons per flush)
- Vitreous china
- Elongated front rim, 16-3/4" high, ADA compliant
- 4-1/8" back outlet rough-in
- Siphon jet flush action
- 1-1/2" top spud
- Includes bolt caps
- Shipping weight: 60 lbs.

### Z5640 Series

#### Recommended Trim:

- Z6000AV-WS1** AquaVantage® 'AV' low consumption 1.6 gpf exposed closet flush valve.
- Z5955SS-EL** Elongated, standard white, open front toilet seat less cover with stainless steel check hinge.

#### Optional Water-Savings Trim:

- Z6000AV-DF-WS1** AquaVantage® AV dual flush water-conserving exposed closet flush valve (estimated 30% potential water savings).

### Engineering Specification:

#### Recommended Trim:

- Z5640 with Top Spud**  
Vitreous china, 1.6 gpf [6Lpf] low consumption, elongated front rim, siphon jet flush action, 16-3/4" rim height, ADA compliant, floor mounted toilet with 1-1/2" top spud and 4-1/8" back outlet rough-in.
- Z5641 with Top Spud and Bedpan Lugs**  
Vitreous china, 1.6 gpf [6Lpf] low consumption, elongated front rim designed to accommodate a bedpan, siphon jet action, 16-3/4" rim height, ADA compliant, floor mounted flush valve toilet with 1-1/2" top spud and 4-1/8" back outlet rough-in.

*These dimensions and specifications are subject to change without notice.*

*Fixture dimensions meet ANSI/ASME standard A112.19.2-2003 and CAN/CSA B45 requirements.*

*Meets the American Disabilities Guidelines and ANSI A117.1 requirements.*



See Zurn One Systems for suggested packages.

This space is for Architectural/engineering Approval

**Zurn Plumbing Products Group** Commercial Brass and Fixtures Operation  
2640 South Work Street · Falconer, NY 14733 · Phone: 716-665-1132 · Fax: 716-665-1135 · www.zurn.com



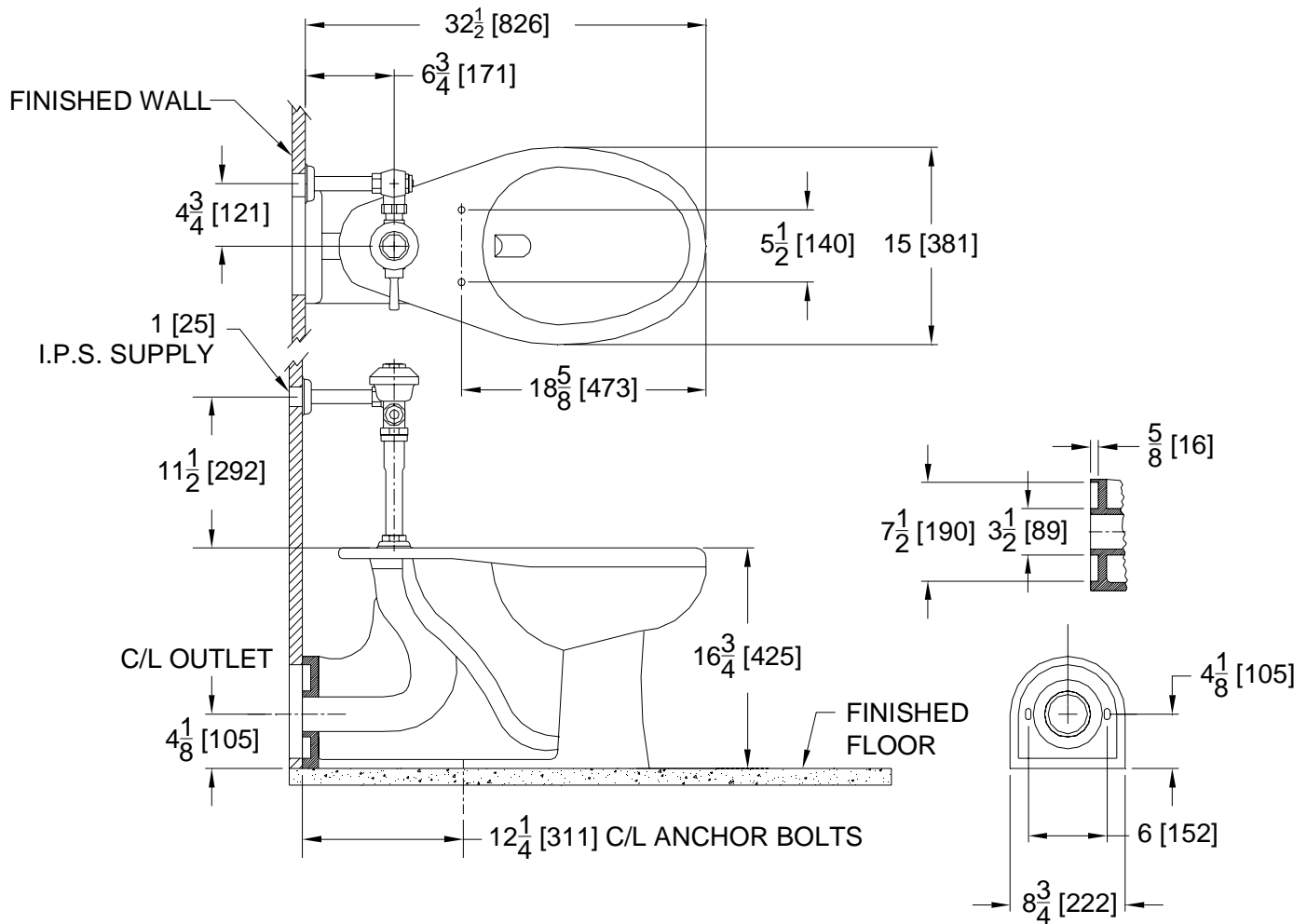
# Z5640

## 1.6 GPF ADA, Elongated, Floor Mounted, Back Outlet Flush Valve Toilet Rough-In

TAG \_\_\_\_\_

Rough-in dimensions for Z5640 Series

- Z5640 with top spud
- Z5641 with top spud and bedpan lugs



These dimensions and specifications are subject to change without notice.

Fixture dimensions meet ANSI/ASME standard A112.19.2-2003 and CAN/CSA B45 requirements.

Meets the American Disabilities Guidelines and ANSI A117.1 requirements.



**Zurn Plumbing Products Group** Commercial Brass and Fixtures Operation

2640 South Work Street · Falconer, NY 14733 · Phone: 716-665-1132 · Fax: 716-665-1135 · www.zurn.com