

# Slimline® Bedpan Washer Diverter Assemblies

DV-130  
DV-135

## for replacement of Old Style Bedpan Washers

### Description

Slimline® Bedpan Washer Diverter Assembly for use in retrofit installations to replace old offset style bedpan washers that are no longer manufactured. Use to replace old style American Sterilizer, American Standard, and Chicago Faucet Bedpan Washers.

### Models

- DV-130 with 2" Offset Vacuum Breaker
- DV-135 with 2" Offset Vacuum Breaker and Deoseptic Unit

### Specifications

Bedpan Washer Diverter Assembly for use with Flushometer with the following features:

- Solid One-piece Body Construction
- Counter Balanced Pivot Assembly
- Solid Brass Spray Arm
- High Back Pressure Vacuum Breaker with One-piece Bottom Hex Coupling Nut
- Vacuum Breaker Flush Connection with 2" Offset
- Wall Support, Spud Coupling and Flange for 1½" Top Spud
- Vacuum Breaker to be molded from PERMEX™ rubber compound for Chloramine resistance

**Diverter Assembly ONLY. Does NOT include Flushometer.**

### Variations

- BG** Bio-Gard® Spray Arm
- R** Includes 1" I.P.S. Elbow (to raise existing water supply rough-in) and Pipe Support

See Accessories Section of Sloan catalog for details on these and other Flushometer variations.

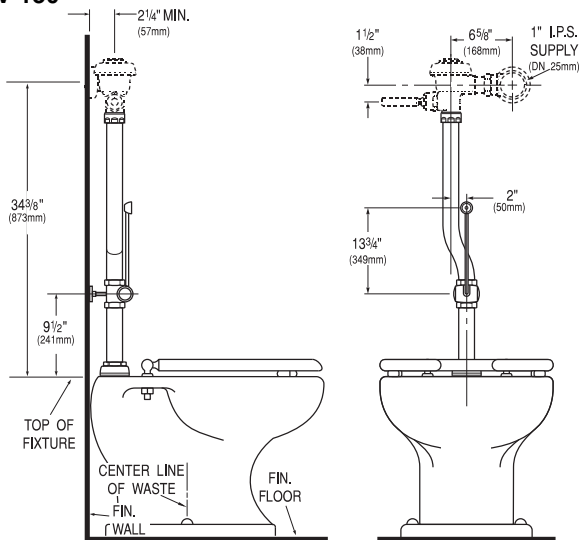


DV-130

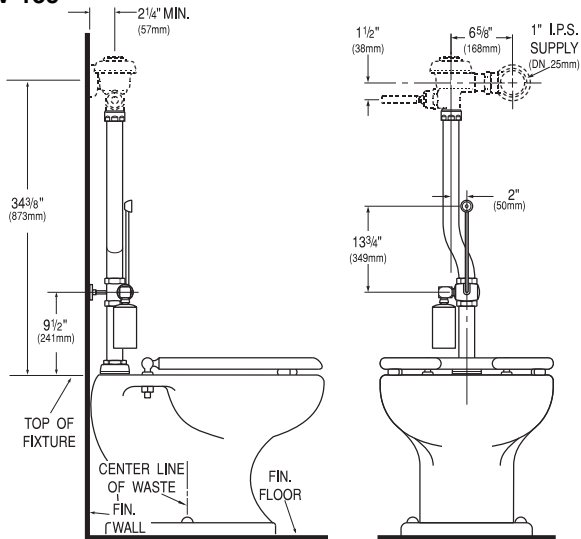


DV-135

DV-130



DV-135



This space for Architect/Engineer approval

The information contained in this document is subject to change without notice.

Made in the U.S.A.

**SLOAN**

SLOAN VALVE COMPANY • 10500 SEYMOUR AVE. • FRANKLIN PARK, IL 60131  
PHONE: 1-800 982-5839 • FAX: 1-800 447-8329 • <http://www.sloanvalve.com>