

Model
WETS 2053.1001-1.6
Manual HET Flushometer and HET Wall Hung Water Closet

DESCRIPTION

Complete HET system with exposed manual Royal® Flushometer and vitreous china wall hung fixture.

Flush Cycle

Model WETS-2053.1001-1.6 (1.6 gpf/6.0 Lpf)

Code:20531001



Meets the American Disabilities Guidelines and ANSI A117.1 requirements when installed according to these requirements.

NOTE:

Plumbing System Requirements

- Minimum **Flowing** Pressure: 25 PSI
- Maximum Fixture Static Pressure: 80 PSI
- Minimum Flow Rate: 18 GPM

SPECIFICATIONS

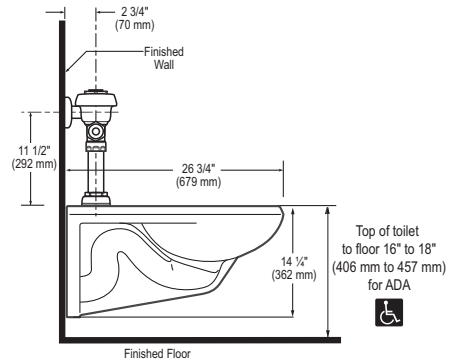
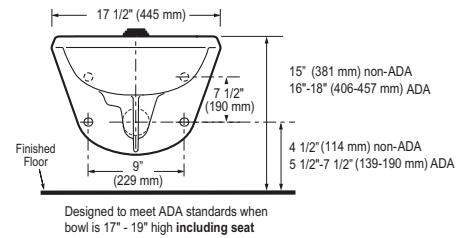
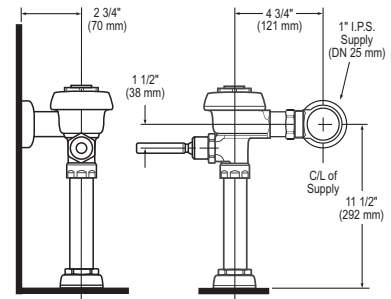
Quiet, exposed, diaphragm type, chrome plated HET Flushometer and vitreous china water closet with the following features:

Flushometer

- PERMEX® Synthetic Rubber Diaphragm with Dual Filtered Fixed Bypass
- ADA compliant metal oscillating Non-Hold-Open Handle with Triple Seal Handle Packing
- 1" I.P.S. Screwdriver Bak-Chek® Angle Stop
- Free spinning Vandal Resistant Stop Cap
- Adjustable Tailpiece
- High Back Pressure Vacuum Breaker Flush Connection with One-piece Bottom Hex Coupling Nut
- Spud Coupling and Flange for 1-1/2" Top Spud
- Sweat Solder Adapter with Cover Tube and Cast Wall Flange with Set Screw
- High copper, low zinc brass castings for dezincification resistance
- Non-Hold-Open Handle, Fixed Metering Bypass and no external volume adjustment to ensure water conservation
- Flush accuracy controlled by CID® technology
- Diaphragm, Handle Packing, Stop Seat and Vacuum Breaker molded from PERMEX® rubber compound for chloramine resistance
- Valve Body, Cover, Tailpiece and Control Stop shall be in conformance with ASTM Alloy Classification for Semi-Red Brass. Valve shall be in compliance to the applicable sections of ASSE 1037.

Fixture

- Wall hung vitreous china elongated bowl
- Siphon jet flushing action
- 1-1/2" I.P.S. top spud inlet
- 2 1/8" fully glazed trapway diameter
- Integral flushing rim
- Water spot area 9 1/2" x 8 1/4"
- Mounting hardware, carrier and toilet seat not included
- Compatible with toilet seat models: Bemis 1955CT, Bemis 2155CT
- Water closet shall be in compliance to the applicable sections of ASME A112.19.2/CSA B45.1
- Compliant with Buy American Act when purchased as a combination



NOTE: All vitreous china dimensions shown in these drawings are nominal. Dimensions can vary within the tolerances established in the governing ASME A112.19.2/CSA B45.1 standard. Please take this into consideration when planning rough-in and plumbing layouts.



This space for Architect/Engineer approval	
Job Name	Date
Model Specified	Quantity
Variations Specified	
Customer/Wholesaler	
Contractor	
Architect	

SLOAN

Sloan Valve Company
10500 Seymour Avenue
Franklin Park, IL 60131
Phone: 1-800-9-VALVE-9 (982-5839)
or 1-847-671-4300
Fax: 1-800-447-8329 or 1-847-671-4380
www.sloanvalve.com

Copyright © 2013 Sloan Valve Company
WETS-2053.1001 09-13