

Model

**WETS 2050.1402-1.28 SMO**

OPTIMA Plus® Systems Sensor Activated HET Flushometer and HET Wall Hung Water Closet

**DESCRIPTION**

Complete HET system with exposed, battery powered, sensor activated, Royal® OPTIMA Plus® SMO closet Flushometer and vitreous china wall hung fixture.

**Flush Cycle**

Model WETS-2050.1402-1.28 SMO (1.28 gpf/4.8 Lpf)

Code: 20501402



Meets the American Disabilities Guidelines and ANSI A117.1 requirements when installed according to these requirements.

**NOTE:**

Plumbing System Requirements

- Minimum **Flowing** Pressure: 25 PSI
- Maximum Fixture Static Pressure: 80 PSI
- Minimum Flow Rate: 18 GPM

**SPECIFICATIONS**

Quiet, exposed, diaphragm type, chrome plated closet Flushometer for either left or right hand supply and vitreous china wall hung water closet with the following features:

**Flushometer and OPTIMA Plus® SMO Unit**

- PERMEX® Plus Synthetic Rubber Diaphragm with Dual Filter Bypass
- ADA Compliant OPTIMA Plus® Battery Powered Infrared Sensor for automatic "No Hands" operation
- Chrome plated Infrared Sensor Housing
- Four (4) Size C batteries included
- "Low Battery" flashing LED
- "User in View" flashing LED
- Infrared Sensor Range Adjustment Screw and Reset Button
- 1" I.P.S. Screwdriver Bak-Chek® Angle Stop
- Free spinning, Vandal Resistant Stop Cap
- High Back Pressure Vacuum Breaker Flush Connection with One-piece Bottom Hex Coupling Nut
- Spud Coupling and Flange for 1-1/2" Top Spud
- Sweat Solder Adapter with Cover Tube and Cast Wall Flange with Set Screw
- High copper, low zinc brass castings for dezincification resistance
- No external volume adjustment to ensure water conservation
- Stop Seat and Vacuum Breaker to be molded from PERMEX® rubber compound for chloramine resistance
- Valve Body, Tailpiece and Control Stop are in conformance with ASTM Alloy Classification for Semi-Red Brass. Valve shall be in compliance with the applicable sections of ASSE 1037.

**Fixture**

- Wall hung vitreous china elongated bowl
- Siphon jet flushing action
- 1-1/2" I.P.S. top spud inlet
- 2 1/8" fully glazed trapway diameter
- Integral flushing rim
- Water spot area 9 1/2" x 8 1/4"
- Mounting hardware, carrier and toilet seat not included
- Compatible with toilet seat models: Bemis 1955CT & Bemis 2155CT
- Water closet shall be in compliance to the applicable sections of ASME A112.19.2/CSA B45.1

**FEATURES**

**Automatic**

Sloan OPTIMA Plus® SMO equipped Flushometers provide the ultimate in sanitary protection and automatic operation. There is no need for AC hookups or wall alterations. The Flushometer operates by means of a battery powered infrared sensor. Once the user enters the sensor's effective range and then steps away, the Side Mount Operator initiates the flushing cycle to flush the fixture.

**Hygienic**

User makes no physical contact with the Flushometer surface. Helps control the spread of infectious diseases. 24-hour Sentinel Flush keeps fixture fresh during periods of nonuse.

**Economical**

Automatic operation and a very low flush volume provides water savings over other flushing devices. Reduces maintenance and operation costs. Installation and battery replacement does not require turning off water to the valve.

**Warranty**

3 year (limited)



**SLOAN**

Sloan Valve Company  
10500 Seymour Avenue  
Franklin Park, IL 60131  
Phone: 1-800-9-VALVE-9 (982-5839)  
or 1-847-671-4300  
Fax: 1-800-447-8329 or 1-847-671-4380  
www.sloanvalve.com

Copyright © 2013 Sloan Valve Company  
WETS-2050.1402 09-13

<b>This space for Architect/Engineer approval</b>	
Job Name _____	Date _____
Model Specified _____	Quantity _____
Variations Specified _____	
Customer/Wholesaler _____	
Contractor _____	
Architect _____	

Model

**WETS 2050.1402-1.28 SMO**

OPTIMA Plus® Systems Sensor Activated HET Flushometer and HET Wall Hung Water Closet

**DESCRIPTION**

Complete HET system with exposed, battery powered, sensor activated, Royal® OPTIMA Plus® SMO closet Flushometer and vitreous china wall hung Fixture.

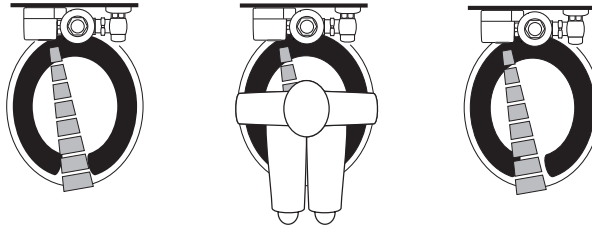
**Flush Cycle**

Model WETS-2050.1402-1.28 SMO (1.28 gpf/4.8 Lpf)

**ELECTRICAL SPECIFICATIONS**

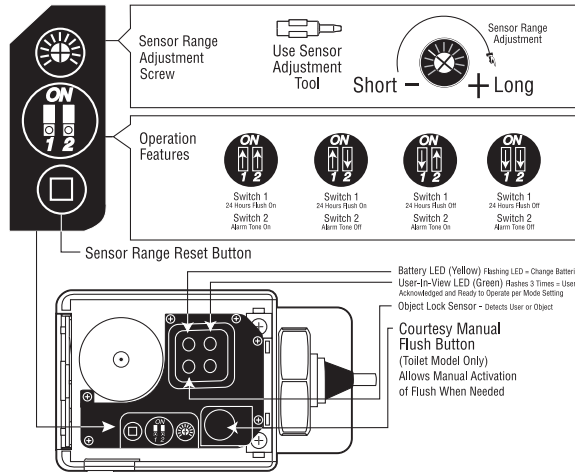
- **Control Circuit**  
Solid state, 6 VDC input
- **OPTIMA Plus® Sensor Type**  
Infrared convergence type object lock detection
- **OPTIMA Plus® Sensor Range**  
Nominal 8" – 54" (203 mm – 1372 mm), factory set at 24" (610 mm)
- **Battery Type**  
(4) Size C Alkaline
- **Battery Life**  
2 Years @ 3,000 flushes/month
- **Indicator Lights**  
User in view/low battery
- **Valve Operating Pressure (Flowing)**  
15 – 100 psi (104 – 689 kPa)

**OPERATION**

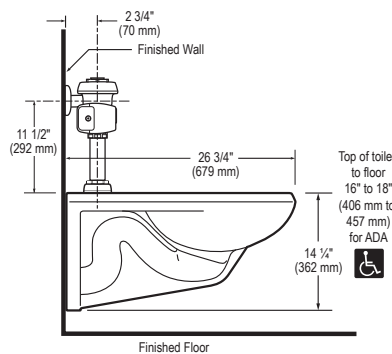
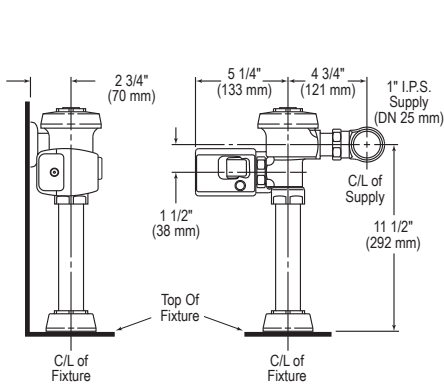


1. A continuous, invisible light beam is emitted from the Object Lock Infrared Sensor.
2. As the user enters the beam's effective range, 8" to 54" (203 mm – 1372 mm), the Object Lock Infrared Sensor senses the user.
3. When the user steps away from the Object Lock Infrared Sensor, the circuit initiates the flushing cycle to flush the fixture. The circuit then automatically resets and is ready for the next user.

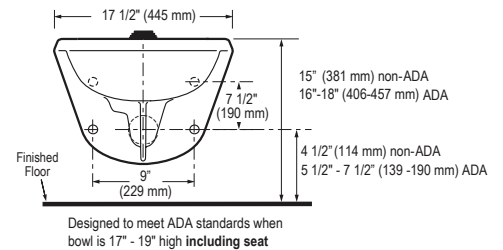
**FUNCTION SETTINGS**



**DIMENSIONS/ROUGH-IN**



**NOTE:** All vitreous china dimensions shown in these drawings are nominal. Dimensions can vary within the tolerances established in the governing ASME A112.19.2/CSA B45.1 standard. Please take this into consideration when planning rough-in and plumbing layouts.



**SLOAN VALVE COMPANY • 10500 SEYMOUR AVENUE • FRANKLIN PARK, IL 60131**

Phone: 1-800-9-VALVE-9 or 1-847-671-4300 • Fax: 1-800-447-8329 or 1-847-671-4380 • www.sloanvalve.com