

► **Description**

Exposed, Solar Powered, Sensor Activated Sloan SOLIS® Model Water Closet Flushometer for Model Retrofit Conversion Kit for Exposed Closet Flushometers.

► **Flush Cycle**

- 1.6 gpf/6.0 Lpf
- 3.5 gpf/13.2 Lpf

► **Specifications**

- Quiet, Exposed, Sloan Solis® Flushometer, Solar Powered, Sensor Activated Closet Flushometer Retrofit Conversion Kit for Sloan **Royal®**, **Regal Pro®** and **Regal®** Flushometers with the following features:
- Solar Powered. The sensor assembly is powered by a solar cell that will harvest power from artificial indoor light, either incandescent or fluorescent light, and use it as the energy source. The solar cell can provide approximately 100% power with 650 Illuminance (lux).
 - Four (4) Size AA Battery Back-up Power Source
 - “Low Battery” Flashing LED
 - PERMEX™ Synthetic Rubber Diaphragm with twin linear filtered bypass and vortex cleansing action
 - Flex Tube Diaphragm designed for improved life and reduced maintenance
 - ADA Compliant Sloan Solis® Solar Powered Infrared Sensor for automatic “No Hands” operation
 - Infrared Sensor with Multiple-focused, Lobular Sensing Fields for high and low target detection
 - Latching Solenoid Operator
 - Engineered Metal Cover with replaceable Lens Window
 - User friendly three (3) second Flush Delay
 - Courtesy Flush™ Override Button
 - Infrared Sensor Range Adjustment Screw
 - Chrome Plated Handle Cap
 - Initial Set-up Range Indicator Light (first 10 minutes)
 - High Copper, Low Zinc Brass Castings for Dezincification Resistance
 - Fixed Metering Bypass and No External Volume Adjustment to Ensure Water Conservation
 - Flush Accuracy Controlled by CID™ Technology
 - Installation Tools provided
 - Diaphragm molded from PERMEX™ Rubber Compound for Chloramine resistance
 - 100% of the energy used in manufacturing is offset with Renewable Energy Sources – Wind Energy

► **Special Finishes**

- PB** Polished Brass (PVD Finish)
- GP** Gold Plate (PVD Finish)
- BN** Brushed Nickel (PVD Finish)
- SF** Satin Chrome

See Accessories Section and Sloan SOLIS® Flushometer Accessories Section of the Sloan catalog for details on these and other Sloan Solis® Flushometer variations.



RESS-C shown installed on an existing Sloan Flushometer.

RESS-C units do NOT include a Valve Body, Supply Stop or Vacuum Breaker.



► **ADA Compliant**

► **Automatic Operation**

Sloan SOLIS® Solar powered Flushometers can also be activated via multi-lobular infrared sensor. Sloan’s SOLIS® Solar powered Flushometer is a breakthrough in design and function that transforms light into power. The SOLIS® Series of Flushometers provide the ultimate in conservation and performance.

► **Manual Operation**

Sloan SOLIS® Solar powered Flushometers incorporate a intuitive button design for easy manual activation. Straightforward graphics alert user to proper activation. To further educate the user, two (2) instructional wall plates are included with each Sloan Solis® Flushometer.

► **Functional & Hygienic**

Touchless, sensor operation eliminates the need for user contact to help control the spread of infectious diseases. The Sloan SOLIS® Solar powered Flushometers is provided with an Override Button to allow a “courtesy flush” for individual user comfort.

► **Warranty**

3 year (limited)



This space for Architect/Engineer approval

Job Name _____ Date _____

Model Specified _____ Quantity _____

Variations Specified _____

Customer/Wholesaler _____

Contractor _____

Architect _____



Sloan Valve Company is buying renewable energy certificates to meet 100% of the company's purchased electricity use at its Franklin Park, IL facility.

- ▶ **Description**
Exposed, Solar Powered, Sensor Activated Sloan SOLIS® Model Water Closet Flushometer for Model Retrofit Conversion Kit for Exposed Closet Flushometers.
- ▶ **Flush Cycle**
 - 1.6 gpf/6.0 Lpf
 - 3.5 gpf/13.2 Lpf

ELECTRICAL SPECIFICATIONS

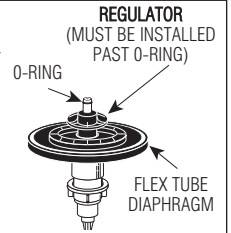
- ▶ **Control Circuit**
Solid State
6 VDC Input
8 Second Arming Delay
3 Second Flush Delay
- ▶ **Sloan Solis® Sensor Type**
Active Infrared
- ▶ **Sloan Solis® Sensor Range**
Nominal 22" - 42" (559 mm - 1067 mm), Adjustable ± 8" (203 mm)
- ▶ **Battery Back Up Type**
(4) AA Alkaline
- ▶ **Battery Life**
6 Years @ 4,000 Flushes/Month
- ▶ **Indicator Lights**
Range Adjustment/Low Battery
- ▶ **Operating Pressure**
15 - 100 psi (104 - 689 kPa)
- ▶ **Sentinel Flush**
Once Every 72 Hours After the Last Flush

Sloan SOLIS® Flush Volume For RESS-C Retrofit Models

The Flush Volume of the Sloan SOLIS® Electronic Flushometer Valve is controlled by the Flex Tube Diaphragm Kit.

Reference Chart

Fixture & Flush	Regulator Color
1.6 gpf (6.0 Lpf) Closet	Green
3.5 gpf (13.2 Lpf) Closet	White



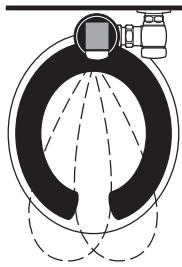
RESS Valves are supplied with it's lowest flush volume configuration.

When installing a new Regulator on a Flex Tube Diaphragm Kit, be sure to push the Regulator past the O-ring when installing.

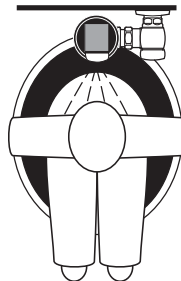
Note: Never use more water than needed. Low Consumption water closets will not function properly on excess water.

OPERATION

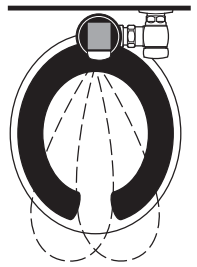
1. A continuous, invisible light beam is emitted from the SOLIS® Sensor.



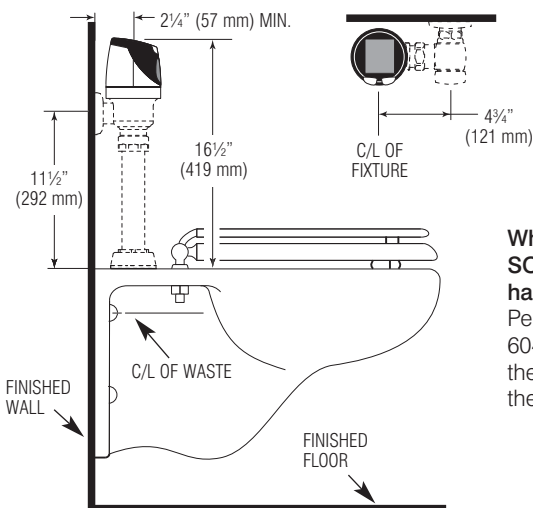
2. As the user enters the beam's effective range (15" to 30") the beam is reflected into the SOLIS® Scanner Window and transformed into a low voltage electrical circuit. Once activated, the Output Circuit continues in a "hold" mode for as long as the user remains within the effective range of the Sensor.



3. When the user steps away from the SOLIS® Sensor, the Sensor initiates an electrical signal that operates the Solenoid. This initiates the flushing cycle to flush the fixture. The Circuit then automatically resets and is ready for the next user.



VALVE ROUGH-IN



When installing the Sloan SOLIS® Flushometer in a handicap stall:

Per the ADA Guidelines (section 604.9.4) it is recommended that the grab bars be split or shifted to the wide side of the stall.

