

DESCRIPTION

Complete vitreous china lavatory

- Model SS-3105 - Single Hole
Code: 3873105
- Model SS-3005 - 4" (102 mm) Centers
Code: 3873005
- Model SS-3805 - 8" (203 mm) Centers
Code: 3873805

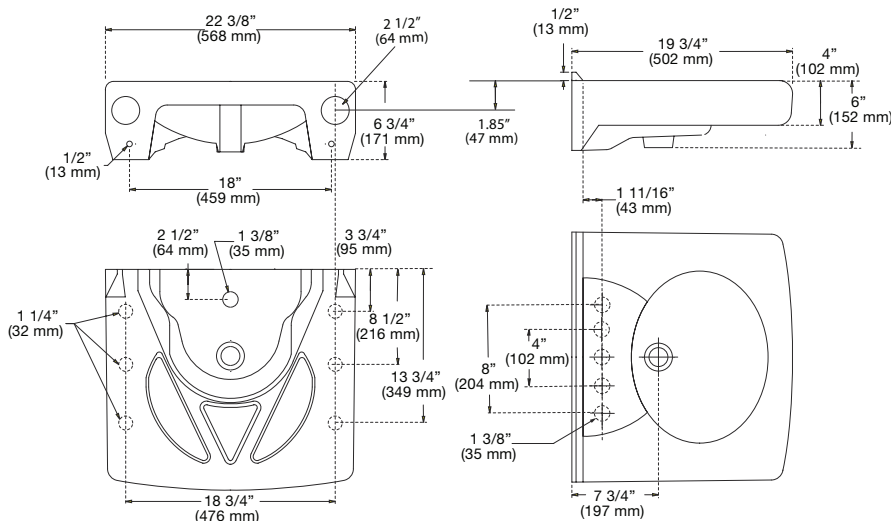
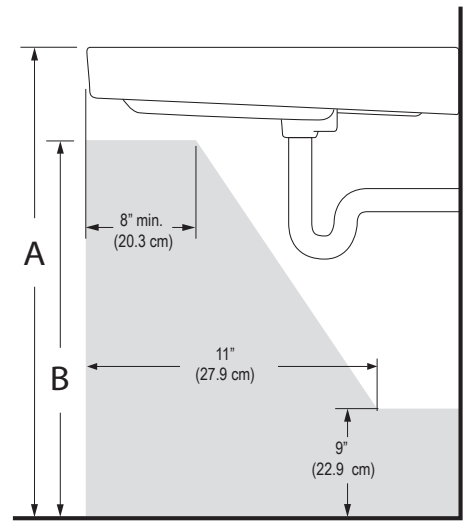


Model SS-3005 Shown

SPECIFICATIONS

Lavatory

- White vitreous china
- Wall mount
- Comply with ADA and Texas Accessibility Standard (TAS) requirements when installed accordingly (see illustration for details)
- Single hole, 4" (102 mm) and 8" (203 mm) centers
- Drilled for internal arm carriers
- Hanging hardware included
- Rear overflow
- 22-3/8" (56.8 cm) x 19-3/4" (50.2 cm)
- Carrier not included



| Accessibility Rough-In Requirements | | | |
|-------------------------------------|---------------|------------------------|--------------|
| | ADA and TAS | Children's Environment | |
| | | ADA 12 yrs & younger | TAS 6-12 yrs |
| A | 34" (86.4 cm) | 31" (78.7 cm) | |
| B | 27" (68.6 cm) | 24" (61 cm) | |

Product Specification

Sink shall be made of vitreous china with a 1-3/4" drain. Sink shall be wall mounted. Sink shall have a rear overflow. Sink shall have a single hole, 4" (10.2 cm) centers or 8" (20.3 cm) centers. Sink shall be Sloan Model SS-3_05.

NOTE: All vitreous china dimensions shown in these drawings are nominal. Dimensions can vary within the tolerances established in the governing ASME A112.19.2/CSA B45.1 standard. Please take this into consideration when planning rough-in and plumbing layouts



| | |
|--|----------|
| This space for Architect/Engineer approval | |
| Job Name | Date |
| Model Specified | Quantity |
| Variations Specified | |
| Customer/Wholesaler | |
| Contractor | |
| Architect | |

SLOAN®

Sloan Headquarters
 10500 Seymour Avenue
 Franklin Park, IL 60131
 Phone: 1-800-982-5839
 Fax: 847-671-4380
 www.sloanvalve.com