

► **Description**

Weir Deck Lavatory System can be equipped with Sloan® sensor-activated faucets. Constructed of durable corian or natural stone, both materials are available with our 20% or more post consumer recycled content.

► **Specifications**

The 60" Wall Mounted Console Unit includes:

- Dimensions: 60" x 22" x 5"
- A Monolithic Console, fabricated from corian material or natural stone
- A high polished grid strainer provided
- Wall Mounted Console is ADA compliant if Installed properly

Sloan Electronic Faucets features:

- Sloan Sensor Technology for reliable performance
- Hardwire or Battery powered
- Infrared or Capacitance
- Troubleshooting LED Indicator Lights
- Filtered Solenoid with serviceable Strainer Filter

Faucet features may vary. See faucet specification sheets for details

► **Variations**

- FM - Frame
- ESD - Electronic Soap Dispenser
- DS - Designer Stone (Quartz)
- AB - Angle Brackets
- ENC - Enclosure

► **Colors**

* Natural Stone and other Corian Colors available upon request.

- For a complete list of Corian colors see:
<http://www.dupont.com/products-and-services/construction-materials/surface-design-materials/brands/corian-solid-surfaces/products/corian-all-colors.html>
- For a complete list of Zodiac quartz colors:
<http://www.dupont.com/products-and-services/construction-materials/surface-design-materials/brands/zodiaq-quartz-surfaces/products/zodiaq-all-colors.html>
- For a complete list of Silestone quartz colors
<http://www.silestoneusa.com/colors/>

► **NOTE**

DSWD dimensions can be customized per designer request. See your Sloan representative for details.

► **Compliance & Certifications**



Sloan Faucet Electronics are:

Stainless steel recyclable



► **The Weir Deck Single Station Lavatory System**

The Weir Deck design is an ergonomic hand washing basin, bringing higher efficiencies to the entire hand washing process in a more natural way. The Weir Deck may be configured to designers specifications. Waste assembly is not provided. Choose from one of the many Sloan faucets for the perfect match.

This space for Architect/Engineer Approval

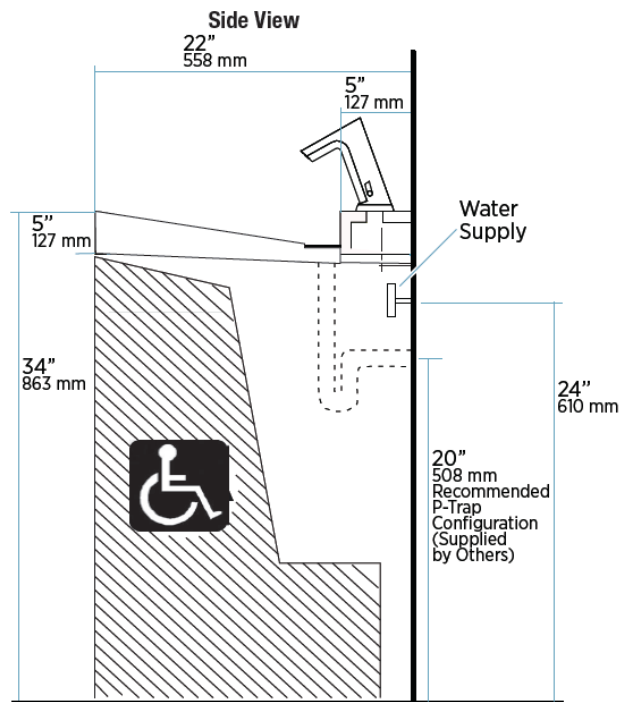
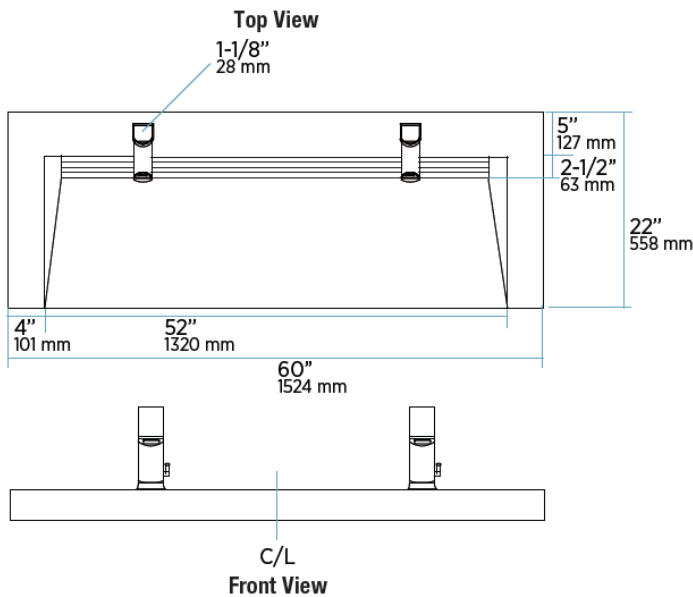
► Faucet Options



Not All Faucet Models Shown



► ROUGH-IN



For additional technical information, contact the Sloan Technical Support at 1-888-SLOAN-14 (1-888-756-2614) or techsupport@sloanvalve.com

► Code Number
15121572