



INSTALLATION INSTRUCTIONS FOR DOUBLE AND TRIPLE STATION SENSOR ACTIVATED SOLID SURFACE LAVATORY SYSTEMS

EW-62000
EW-62050
Double Station
Sensor Activated
Solid Surface Lavatory System



EW-62000-XX-X-MSD Model Shown

EW-63000
EW-63050
Triple Station
Sensor Activated
Solid Surface Lavatory System



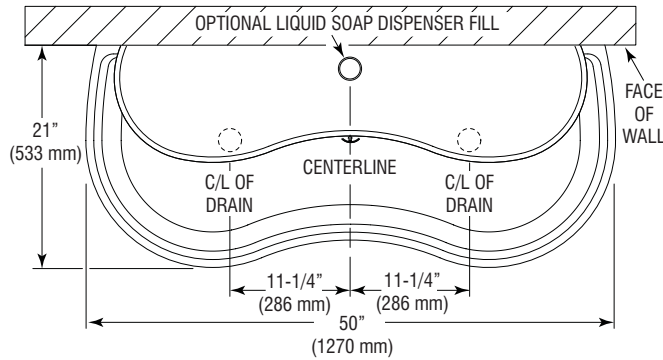
EW-63000-XX-X-MSD Model Shown

LIMITED WARRANTY

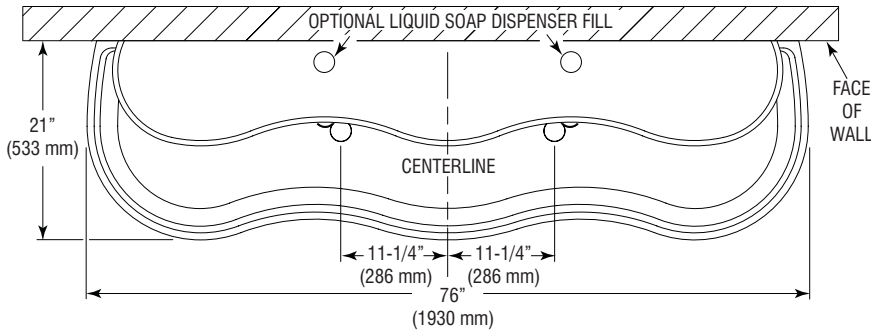
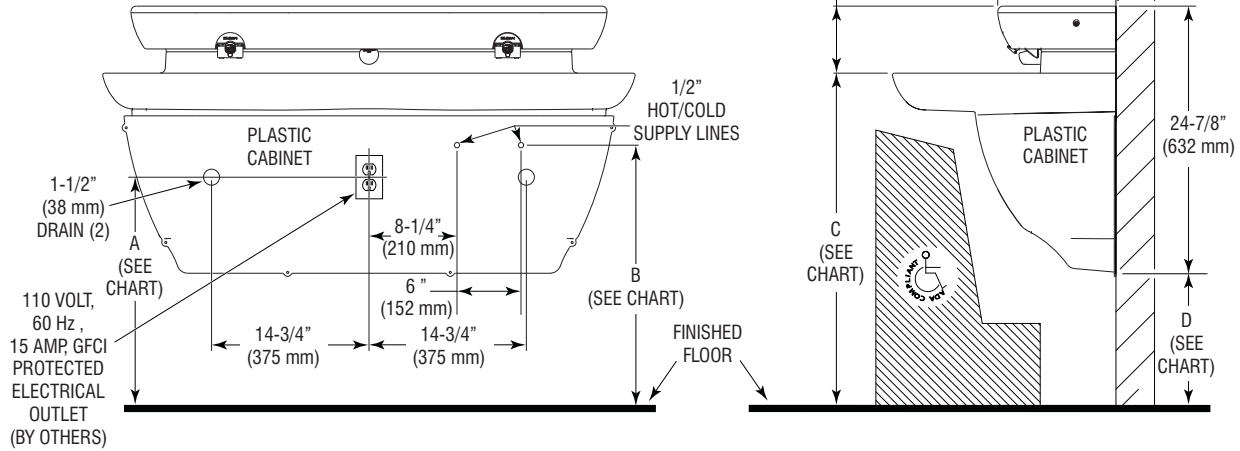
Sloan Valve Company warrants its EW-60000 Series Lavatory Systems to be made of first class materials, free from defects of material or workmanship under normal use and to perform the service for which they are intended in a thoroughly reliable and efficient manner when properly installed and serviced, for a period of three years (1 year for special finishes) from date of purchase. During this period, Sloan Valve Company will, at its option, repair or replace any part or parts which prove to be thus defective if returned to Sloan Valve Company, at customer's cost, and this shall be the sole remedy available under this warranty. No claims will be allowed for labor, transportation or other incidental costs. This warranty extends only to persons or organizations who purchase Sloan Valve Company's products directly from Sloan Valve Company for purpose of resale. This warranty does not cover the life of the batteries (battery powered models).

THERE ARE NO WARRANTIES WHICH EXTEND BEYOND THE DESCRIPTION ON THE FACE HEREOF. IN NO EVENT IS SLOAN VALVE COMPANY RESPONSIBLE FOR ANY CONSEQUENTIAL DAMAGES OF ANY MEASURE WHATSOEVER.

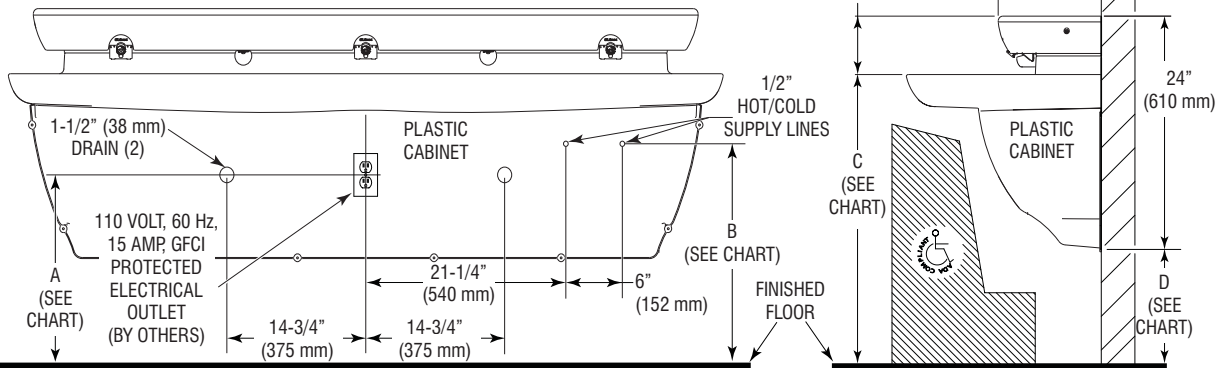
LAVATORY SYSTEM ROUGH-IN



MODEL EW-62000
MODEL EW-62050
Double Station Lavatory System
 Flow Rate: 0.5 gpm/1.9 Lpm Max. Spray
 Lavatory System Weight (Packaged):
 Approximately 82 Lbs/37 Kg



MODEL EW-63000
MODEL EW-63050
Triple Station Lavatory System
 Flow Rate: 0.5 gpm/1.9 Lpm Max. Spray
 Lavatory System Weight (Packaged):
 Approximately 124 Lbs/56 Kg



VARIABLE MOUNTING HEIGHT CHART (2 AND 3 STATION)

DIMENSION DESCRIPTION	T.A.S. † AGES 4-10	T.A.S. † AGES 11-15	A.D.A. STANDARD
A ROUGH-IN, DRAIN	20" (508 mm)	22" (559 mm)	24" (610 mm)
B ROUGH-IN, SUPPLY	23" (584 mm)	25" (635 mm)	27" (686 mm)
C RECOMMENDED RIM HEIGHT	29-3/4" (756 mm)	31-3/4" (806 mm)	33-3/4" (857 mm)
D FLOOR CLEARANCE, 2 STATION	11-1/8" (283 mm)	13-1/8" (333 mm)	15-1/8" (384 mm)
D FLOOR CLEARANCE, 3 STATION	12-1/16" (306 mm)	14-1/16" (357 mm)	16-1/16" (408 mm)
E BRACKETS, HEIGHT ‡	25-3/4" (654 mm)	27-3/4" (705 mm)	29-3/4" (756 mm)
F BRACKETS, TOP HOLE ‡	25" (635 mm)	27" (686 mm)	29" (737 mm)

† When no mirror is required above the basin.
 ‡ Refer to Step 2.

PRIOR TO INSTALLATION

Prior to installing the Sloan EW-60000 Series Lavatory System, install the items listed below. Also, refer to the appropriate rough-in diagram on Page 2 and brackets diagram on Page 4.

- Install electrical receptacle(s) for plug-in transformer(s) — 120 VAC, 2 amp service for each SFP-36 (6 VDC, 2300 mA) plug-in transformer used (EW-62000/EW-63000 only).
- Hot and cold water supply lines or tempered water supply line (If there is no tempered water supply, install mechanical mixing valve between hot and cold water supply)
- Drain lines

Important:

- **ADEQUATE STRUCTURAL SUPPORT IN OR BEHIND THE WALL IS REQUIRED. REFER TO THE APPROPRIATE ROUGH-IN DIAGRAM ON PAGE 2 FOR DRY WEIGHT OF SINK. **STRUCTURAL SUPPORT MUST HAVE A MINIMUM PULLOUT RATING OF 1000 POUNDS (450 Kg) FOR EACH FASTENER.****
- **INSTALL ALL ELECTRICAL WIRING IN ACCORDANCE WITH NATIONAL/LOCAL CODES AND REGULATIONS.**
- **INSTALL ALL PLUMBING IN ACCORDANCE WITH APPLICABLE CODES AND REGULATIONS.**
- **USE APPROPRIATE PRECAUTIONS WHILE CONNECTING TRANSFORMER TO 120 VAC POWER SOURCE.**
- **DO NOT PLUG TRANSFORMER INTO POWER SOURCE (RECEPTACLE) UNTIL ALL WIRING IS COMPLETED.**
- **BEFORE CONNECTING FLEX HOSES TO SUPPLY STOPS, FLUSH ALL WATER LINES UNTIL WATER IS CLEAR.**

TOOLS REQUIRED FOR INSTALLATION

- Electric drill for drilling anchor holes.
- Standard sockets and open-end wrench set for installing anchoring fasteners and connecting water lines.
- Pipe wrench for installing drain lines.
- Phillips and straight blade screwdrivers.
- Tubing Cutter
- Level
- Carpenter's square
- Caulk gun

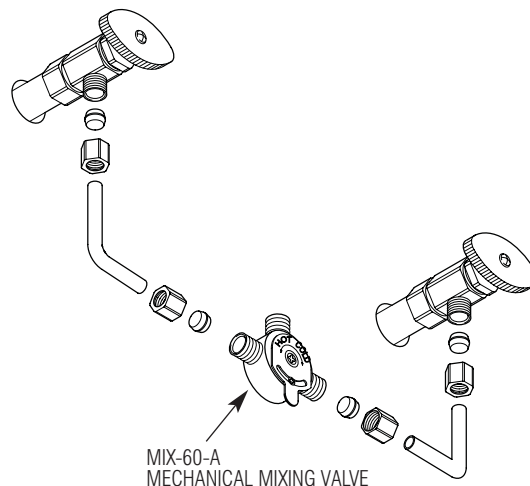
SINK LOCATION

Determine the appropriate wall location for the Lavatory System. Consider that hot and cold water supply lines, drain lines, and an electrical source (receptacle) will be required. Compare the physical dimensions of the Lavatory System to the space available for the installation. If wall is not load-bearing, a carrier may be required behind the wall. Refer to the appropriate Rough-in diagram on Page 2 for Lavatory System dimensions.

Prior to Lavatory System installation, electric wiring, water supply and drain must be installed.

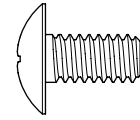
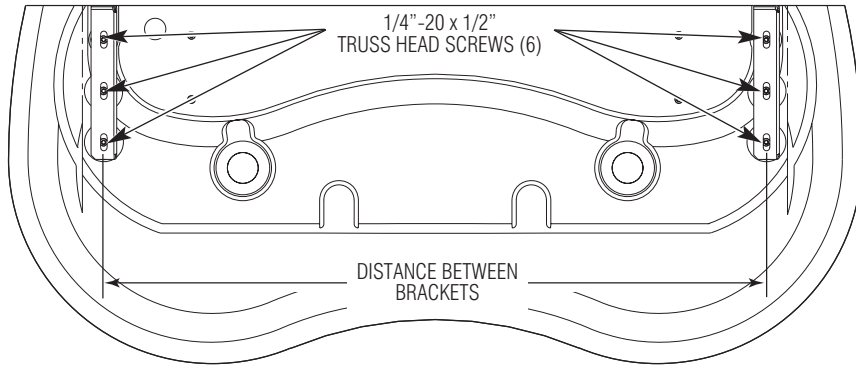
1 Install Mechanical Mixing Valve

- A** If there is no tempered water supply, install Mechanical Mixing Valve between hot and cold water supply.



2 Mount Brackets and Basin to Wall

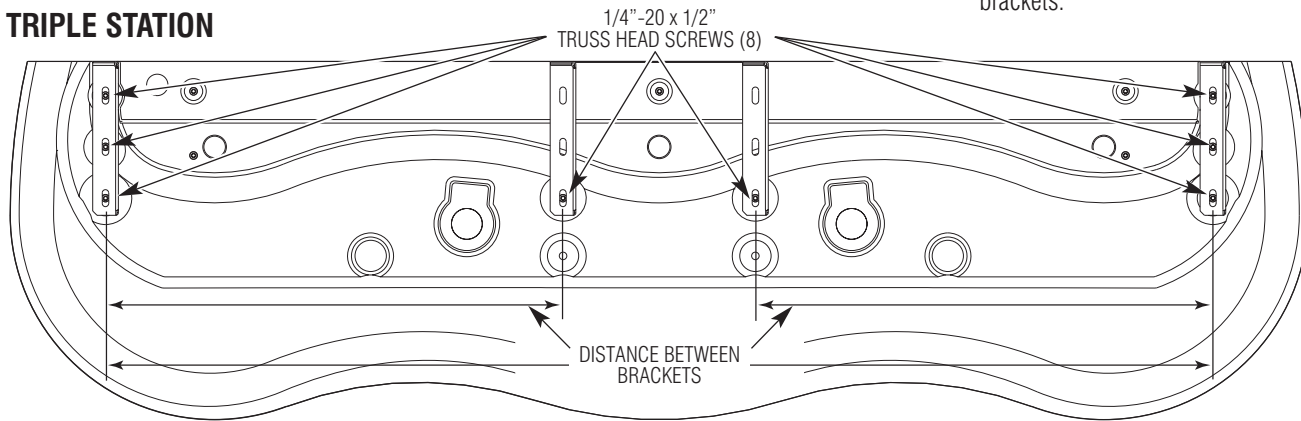
DOUBLE STATION



1/4"-20 x 1/2" Truss Head Screw
(Actual Size)

- A** Attach Brackets to Basin using 1/4"-20 x 1/2" Truss Head Screws. Double Station uses six (6) Fasteners. Triple Station uses eight (8) Fasteners.
- B** Measure distance between brackets. Make sure the carrier (when needed) can accommodate the proper location for the brackets.

TRIPLE STATION

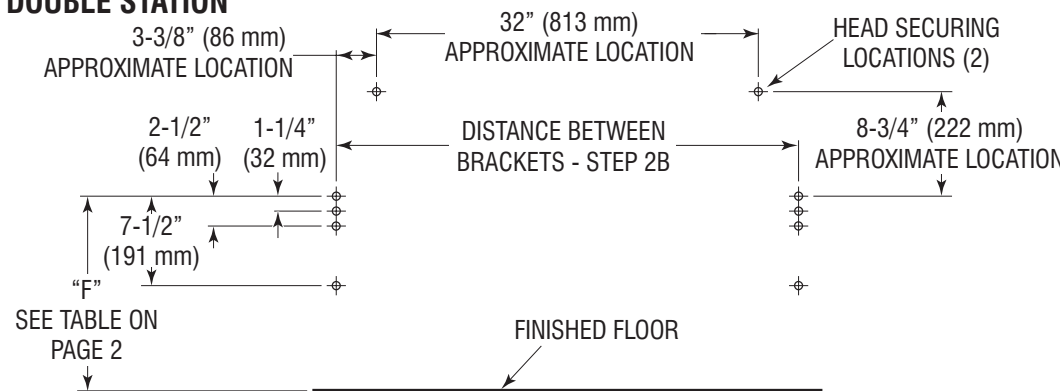


C Determine the appropriate location for the holes to secure the brackets to the wall. Use the following dimensions as a reference.

D Mount Basin and Brackets to wall using fasteners with washers that hold over 1000 lbf (pounds-force) withdrawal load each.

Note: If desired, detach Brackets from Basin and mount Brackets to wall first. Then mount Basin to Brackets using 1/4"-20 x 1/2" Truss Head Screws. Grid Strainer may be installed prior to attaching Basin to Brackets. Refer to Step 3.

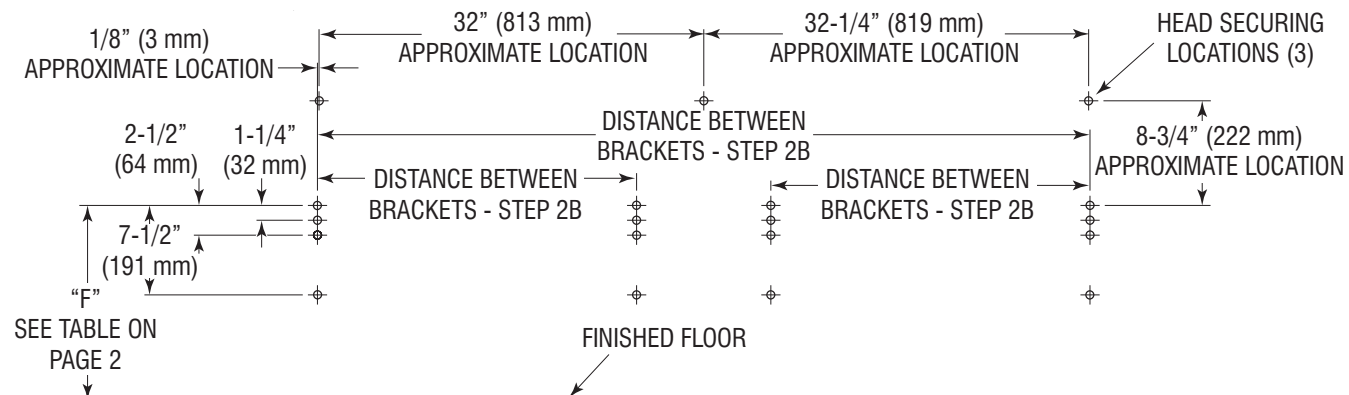
DOUBLE STATION



E Level Brackets in all directions before tightening fasteners securely. If desired, apply caulk between Basin and Wall.

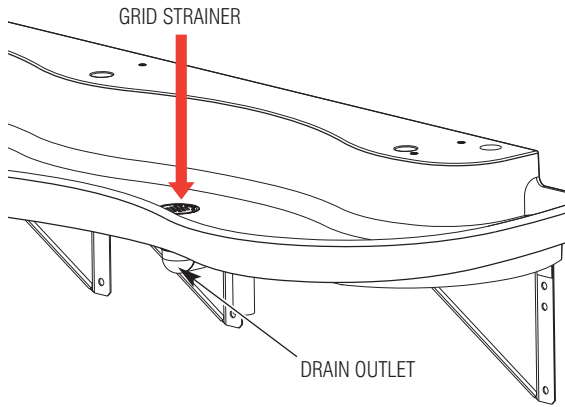
Note: If installation is on soft wall place 1/16" thick stainless or galvanized steel sheets between the Wall and the Brackets. These sheets must be larger in area than the mounting surfaces of the Brackets, and must have thru-holes that align with the Bracket's mounting holes.

TRIPLE STATION



3 Install Grid Strainers and Connect Drain Line

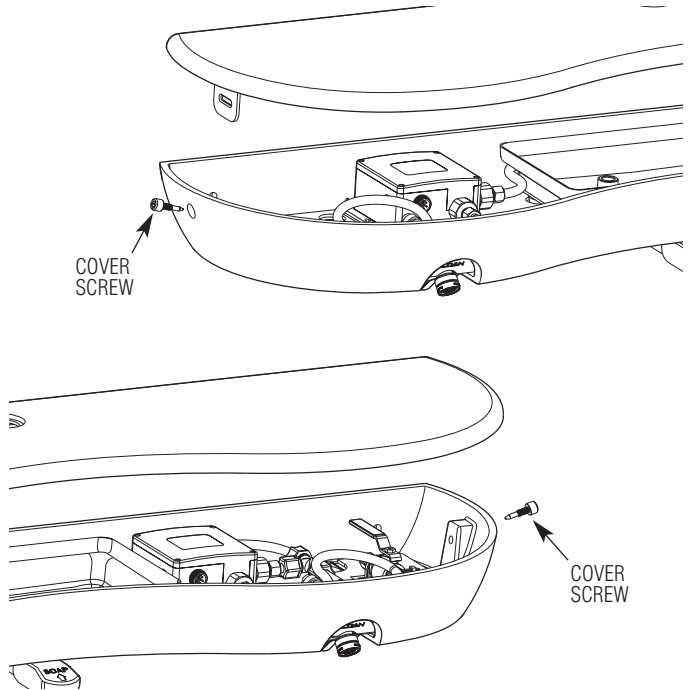
A Install Grid Strainers.



B Plumb Drain Outlets to wall.

4 Remove Cover from Head

A Insert T-Handled Wrench into access holes on left and right sides of the Head. Remove the Cover Screws. Remove Cover.

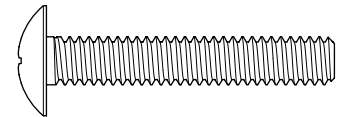
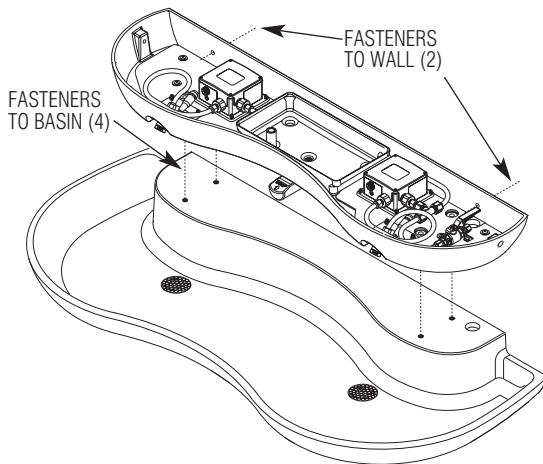


5 Mount Head to Basin

A If desired, apply caulk between Basin and Head.

B Mount Head to Basin using 1/4"-20 x 1-1/2" Truss Head Screws.

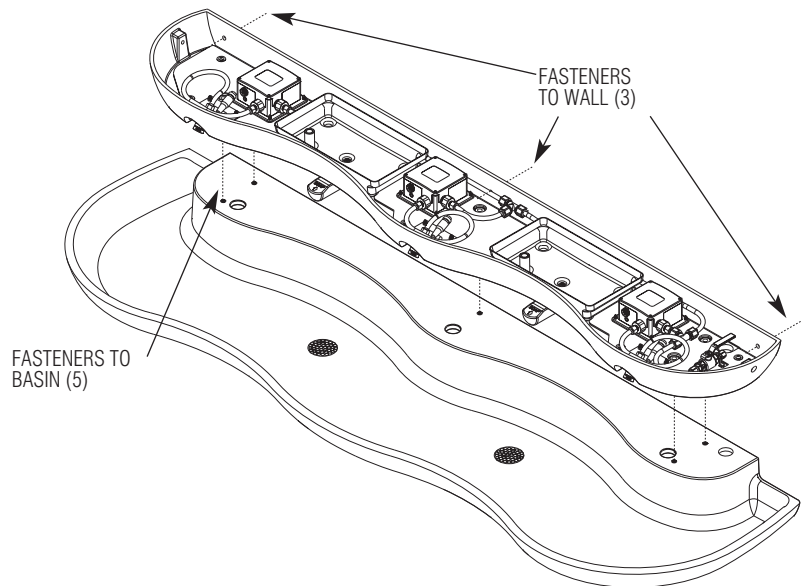
Double Station



1/4"-20 x 1-1/2" Truss Head Screw
(Actual Size)

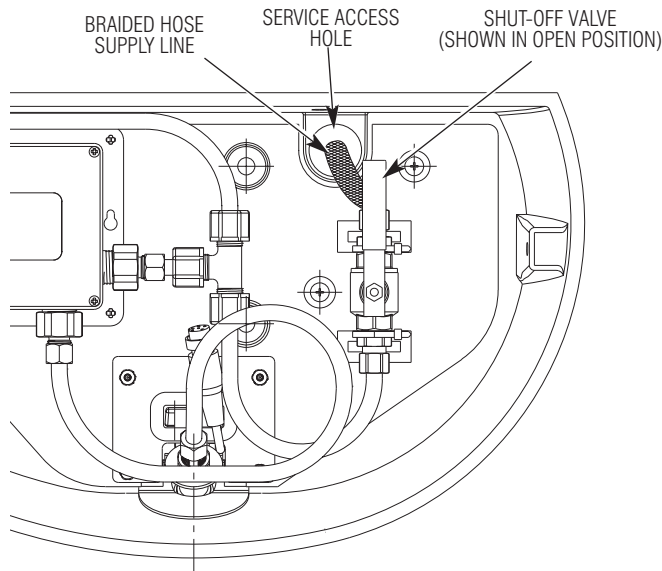
C Secure Head to Wall. Refer to illustration on page 4 for approximate location.

Triple Station



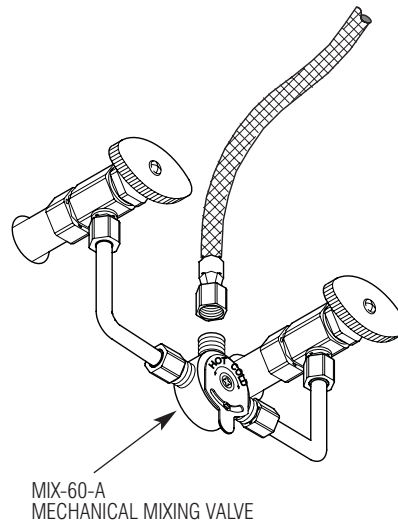
6 Feed Braided Hose Supply Line through Service Access Hole

- A** Feed the Braided Hose Supply Line through the service access hole. One end of the Braided Hose Supply Line is already connected to the Shut-Off Valve in Head.



7 Connect Braided Hose Supply Line to Mixing Valve

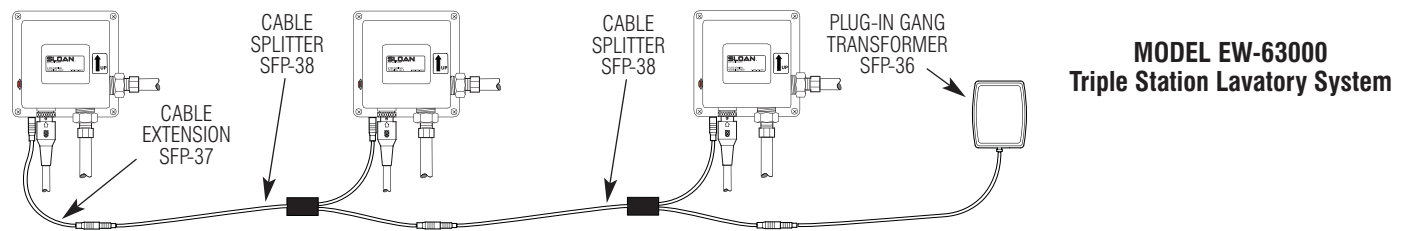
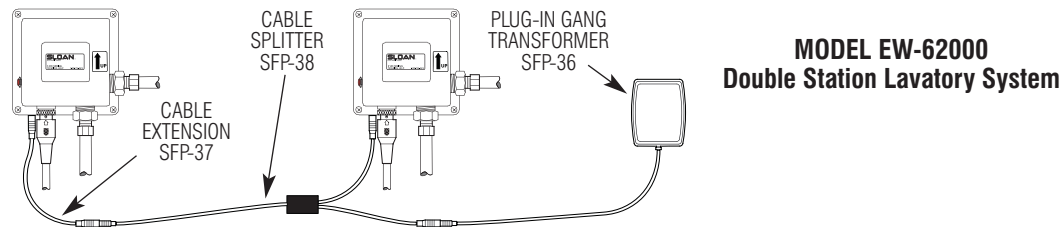
- A** Connect Braided Hose Supply Line to MIX-60-A Mechanical Mixing Valve.



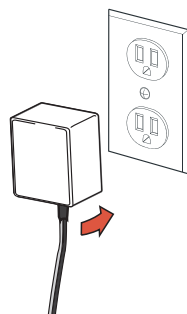
8A Connect Transformer (Models EW-62000/EW-63000 Only) and Turn on Water Supply

IMPORTANT: DO NOT PLUG IN THE TRANSFORMER UNTIL ALL CONNECTIONS ARE MADE.

- A** Install the Cable Extension SFP-37 and Cable Splitter(s) SFP-38 as illustrated below.

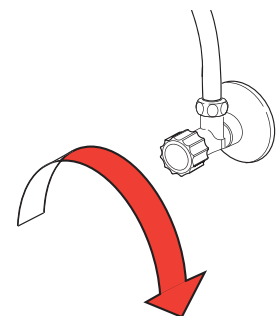


- B** Plug Transformer into Receptacle.



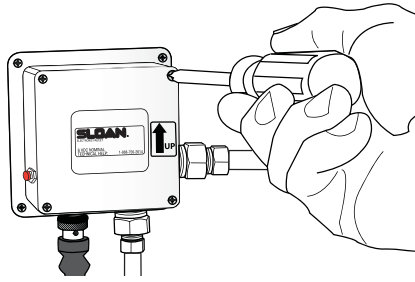
- C** Open Shut-off Valve in Head and Turn on Water Supply.

- D** Check all plumbing for water leaks.



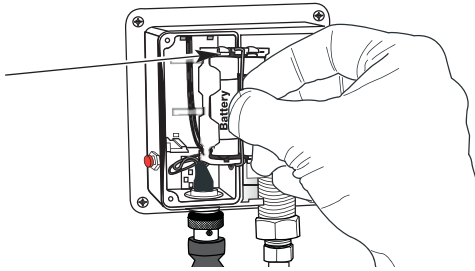
8B Install Batteries (Models EW-62050 / EW-63050 Only)

- A** Loosen Cover Screws and remove Cover from Control Module.



- B** Remove Battery Compartment and install four (4) AA-size batteries (supplied) as indicated by the (+) and (-) symbols inside the Battery Compartment.

ELECTRICAL CONTACTS MUST BE FACING UP

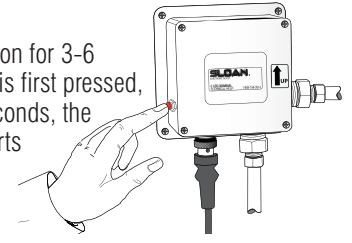


- C** Reinstall Battery Compartment into the Control Module. Make sure that the electrical contacts are facing up.
- D** Reinstall Control Module Cover using all four (4) Screws.
- E** Turn on Water as instructed in D and E of Step 8A.

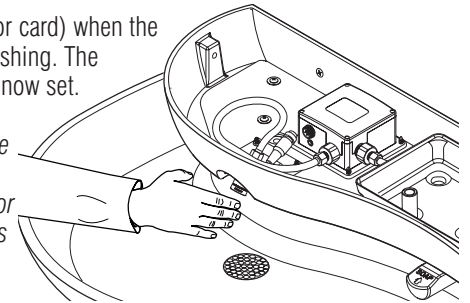
9 Set Range Adjustment

Note: Sensor Range can be adjusted after power is supplied to the Faucet (battery or hardwire).

- A** Press and hold the red button for 3-6 seconds. When the button is first pressed, the water turns on. At 3 seconds, the sensor (beneath spout) starts flashing and the water stops flowing.
- B** Release the red button when the sensor starts flashing.
- C** Place your hand (or card) in front of the sensor at the distance you desire the faucet to activate. Keep hand (or card) at the sensing distance while the sensor range is setting and the sensor is flashing.
- D** Remove hand (or card) when the sensor stops flashing. The sensor range is now set.



Note: The Sensor range is dependent on the distance of your hand or card while the sensor is in range setting mode.

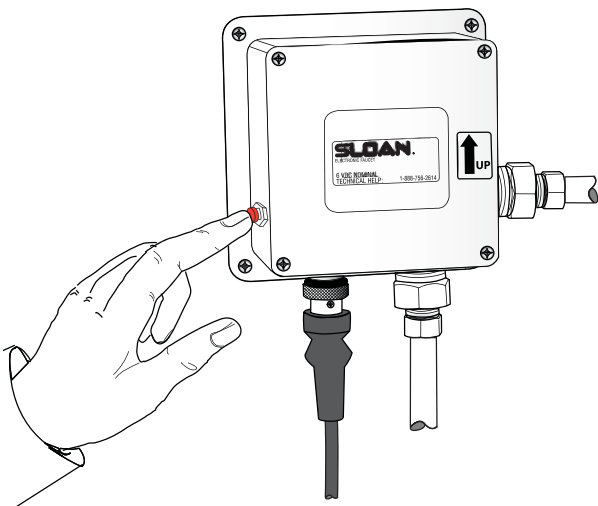


Note: If no target is placed in front of the sensor, the sensor range will set to its longest distance.

10 Set Water Flow Time-Out

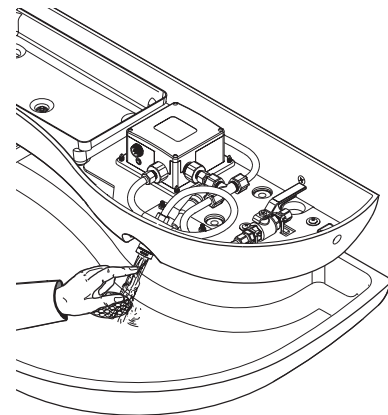
Note: There are two available time-out settings: 7 seconds and 70 seconds.

- A** Hold the red button in for more than six (6) seconds. The water flow time-out settings will change from 7 seconds to 70 seconds or from 70 seconds to 7 seconds.



11 Test Faucet Operation

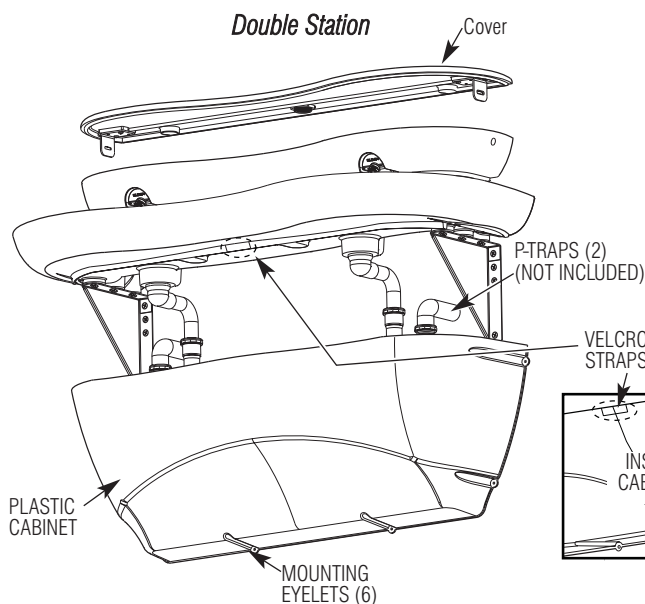
- A** Place hands under spout. Solenoid valve should “click”, LED in sensor window should blink once and water should flow from the spout.
- B** When hands are removed, the water flow should stop.



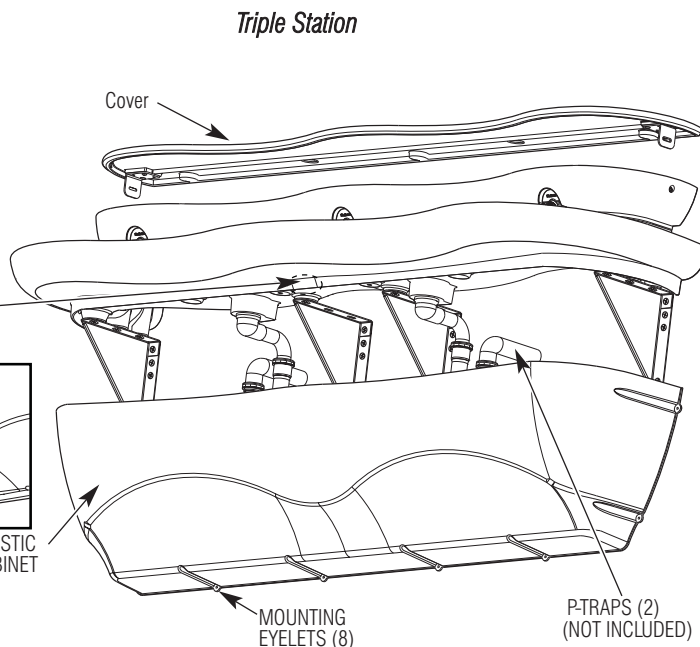
12 Install Cover and Plastic Cabinet

Note: Ensure that there are no gaps between the Basin and Cabinet, and the Cabinet and wall.

- A** Replace Cover and Screws and tighten firmly in place with T-Handled Wrench.



- B** Install Plastic Cabinet by fastening it to the wall via screws through Cabinet's mounting eyelets. Double Station (6) fasteners and Triple Station (8) fasteners. Prior to fastening the Triple Station Cabinet to the wall, bring the Cabinet to the Basin and press the front of the Cabinet to the Basin ensuring that the Velcro® straps, pre-applied to the Basin and Cabinet, meet and attach firmly. Allow the Cabinet to hang from the Basin, while Fastening the Cabinet to the wall.



Troubleshooting Guide

1. Faucet delivers water in an uncontrolled manner.

- A. Faucet is defective. Contact Sloan Valve Company Installation Engineering Department (see below).

2. Faucet does not deliver any water when Sensor is activated.

INDICATOR: Solenoid valve produces an audible "CLICK."

- A. Water supply stop(s) closed. Open water supply stop(s).
B. Water strainer in control module is clogged. Close supply stops and remove water inlet line at control module. Remove, clean and reinstall strainer and water inlet line. Replace strainer if required.

INDICATOR: Solenoid valve DOES NOT produce an audible "CLICK."

- A. Batteries low (battery powered models). Replace batteries.
B. Power failure (transformer powered models). Check power supply.

3. Faucet delivers only a slow flow or dribble when Sensor is activated.

- A. Water supply stop(s) are partially closed. Completely open water supply stop(s).
B. Water strainer in control module is clogged. Close supply stops and remove water inlet line at control module. Remove, clean and reinstall strainer and water inlet line. Replace strainer if required.
C. Aerator is clogged. Remove, clean, and reinstall aerator. Replace aerator if required.
D. Valve is defective. Contact Sloan Valve Company Installation Engineering Department (see below).

4. Faucet does not stop delivering water or continues to drip after user is no longer detected.

- A. Valve is defective. Contact Sloan Valve Company Installation Engineering Department (see below).

5. The water temperature is too hot or too cold when connected to hot and cold supply lines.

- A. Mixing Valve is not adjusted properly. Adjust Mixing Valve.

6. Solenoid Valve does not produce an audible "CLICK" after plugging transformer into live receptacle (transformer powered models).

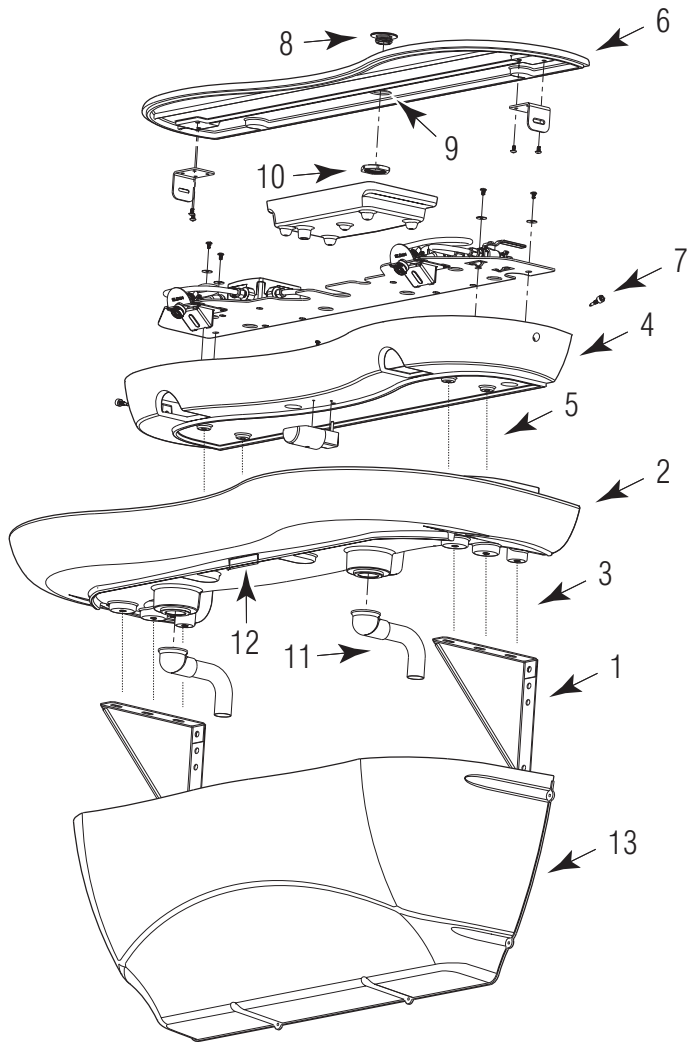
- A. Unplug Transformer from receptacle. Wait one minute. Check that all connections to Control Modules are properly made. Plug Transformer back into live receptacle.

When assistance is required, please contact Sloan Valve Company Installation Engineering Department at:

1-888-SLOAN-14 (1-888-756-2614) OR 1-847-233-2016

Parts List

EW-62000 Double Station Top-Level Assembly

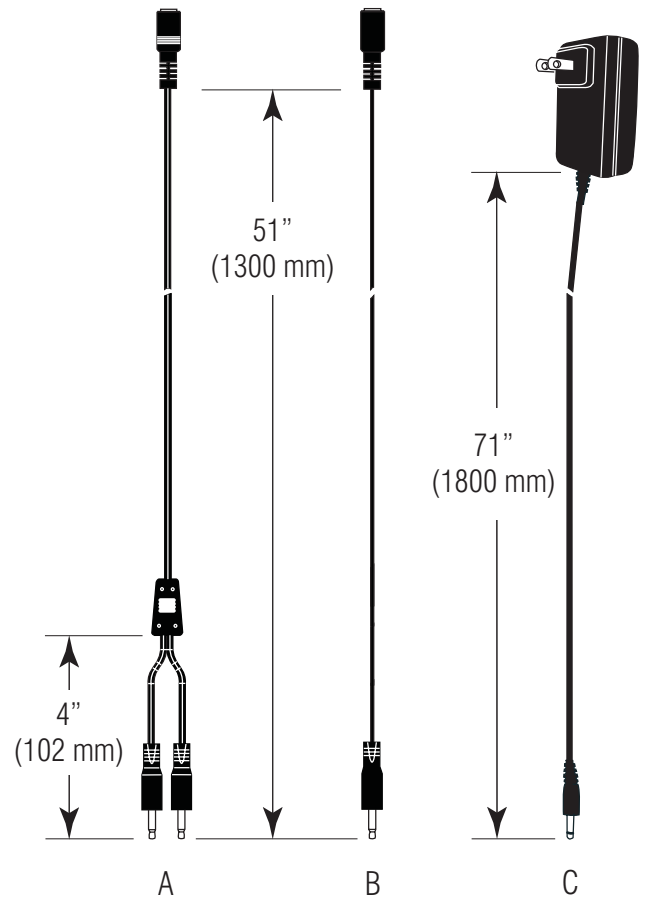


Item No.	Part No.	Description	
1	EW-122	Mounting Bracket (2)	
2	EW-129	Basin	
3	ELC-41	Screw, Machine Truss Head 1/4-20 (6)	
4	EW-135-A	Head	
†	EW-142-A	Head with Manual Soap Dispenser	
5	EW-37	Screw, Truss Head 1/4-20 x 1-1/2" Long (4)	
6	EW-130-A	Cover	
‡	EW-138-A	Cover with Fill Cap	
7	EW-115	Cover Attachment Screw	
8	ESD-241	Fill Cap for Soap Reservoir	
9	ESD-242	Sleeve for Fill Cap	
10	ESD-243	Jam Nut for Fill Cap Sleeve	
11	ETF-725-A	Grid Strainer Assembly (2)	
12	EW-127	Velcro® Strip (Hook)	
13	EW-105	Plastic Cabinet	
—	MIX-19	Supply Hose (Not Shown)	
—	EW-96	T-Handled Wrench (Not Shown)	
—	EW-128	Velcro® Strip (Loop) (Not Shown)	
—	‡	ESD-249	Fill Cap Spanner (Not Shown)
—	EW-98	Light Duty Buffing Pad (Not Shown)	
—	EW-108	General Purpose Buffing Pad (Not Shown)	
†	EW-141	Spacers (Not Shown)	

† Included on models with Soap Dispenser

‡ Included on models with Fill Cap

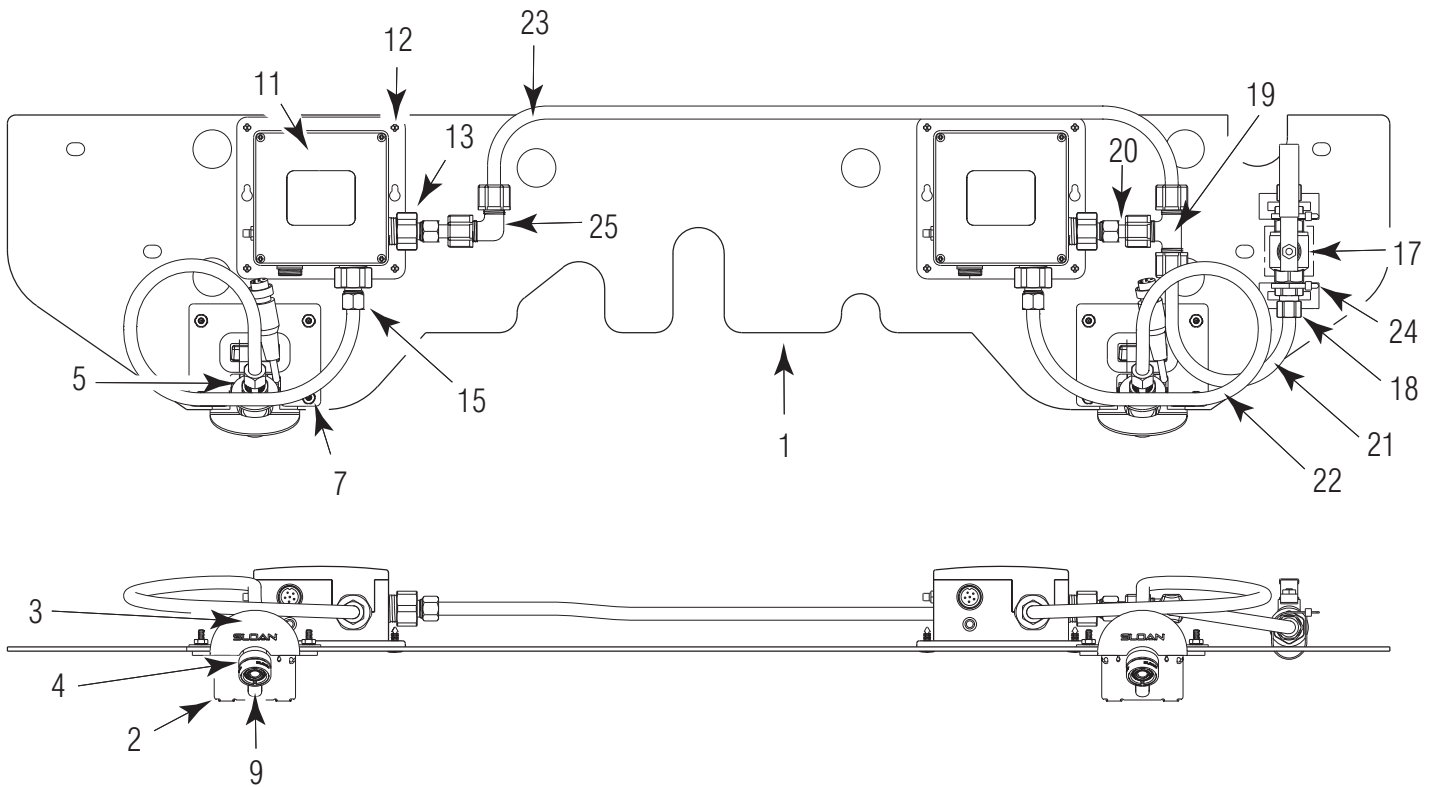
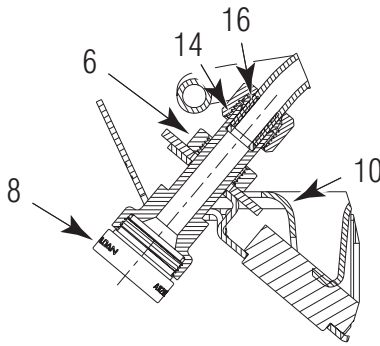
EW-62000 Double Station Cables



Item No.	Part No.	Description
A	SFP-38	Cable Splitter
B	SFP-37	Cable Extension
C	SFP-36	Transformer

Parts List

EW-62000 Double Station Electronic Components

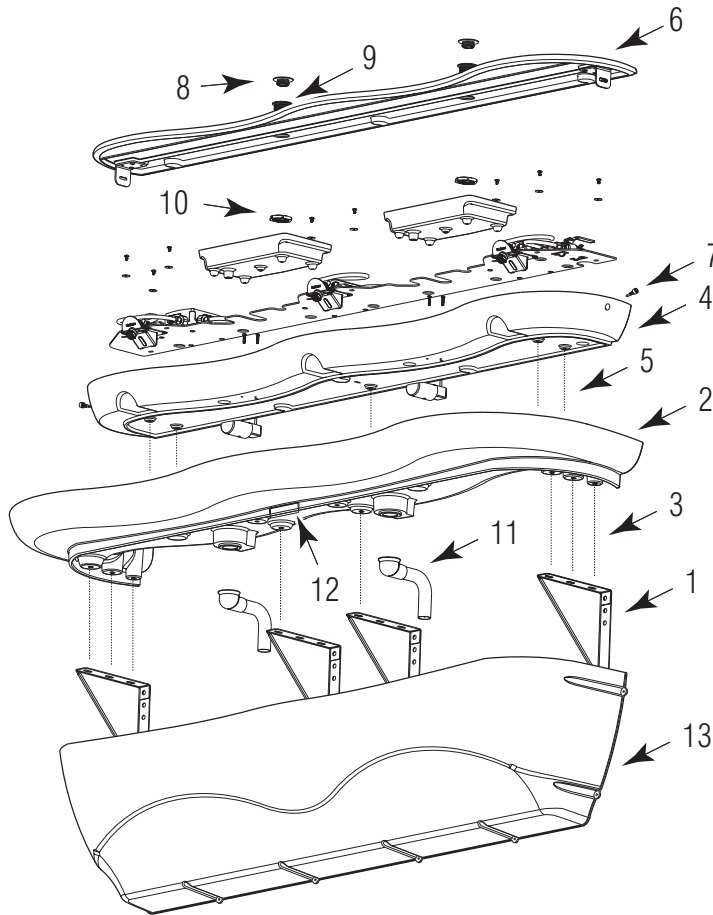


Item No.	Part No.	Description
1	EW-113	Component Mounting Plate, 2 Station
2	EW-119	Sensor Housing
3	EW-100-A	Sensor Base Plate Assembly
4	EW-112	Spout Adapter
5	EW-140	Washer, 9/16"
6	MIX-69	Hex Nut
7	EW-14	Nut #8-32 (KEPS)
8	ETF-723	Spray Head 0.5 gpm (1.9 Lpm) Vandal Proof
9	SFP-41-A	Sensor with Range Adjustment Kit
10	EW-120	Sensor Backing Piece
11	SFP-40	Control Box with Button
12	EW-116	Push-In Clip
13	SFP-45-A	Inlet Adapter Kit

Item No.	Part No.	Description
14	EW-26	Tube Support 3/8"
15	ETF-209	Compression Nut
16	ETF-208	Ferrule
17	EW-118	Shut-Off Valve
18	ETF-61	Male Connector
19	EW-19	Compression Tee Fitting 3/8" Tube
20	EW-89-1	Tube, 3/8" 1.56" (40 mm) Long
21	EW-89-6	Tube, 3/8" 8.19" (208 mm) Long
22	EW-89-7	Tube, 3/8" 17.50" (445 mm) Long
23	EW-89-10	Tube, 3/8" 24.75" (629 mm) Long
24	ETF-198	Tie Wrap
25	EW-18	Compression Elbow Fitting 3/8" Tube
—	ELC-17	Bond Tape (Not Shown)

Parts List

EW-63000 Triple Station Top-Level Assembly

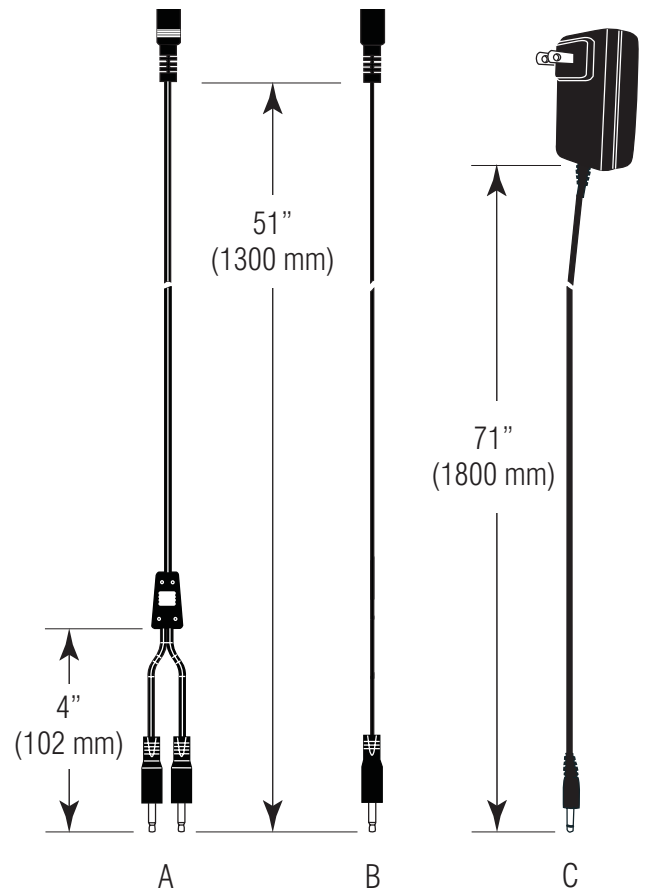


Item No.	Part No.	Description
1	EW-122	Mounting Bracket (4)
2	EW-134	Basin
3	ELC-41	Screw, Machine Truss Head 1/4-20 (8)
4	EW-136-A	Head
†	EW-143-A	Head with Manual Soap Dispenser
5	EW-37	Screw, Truss Head 1/4-20 x 1-1/2" Long (5)
6	EW-137-A	Cover
‡	EW-139-A	Cover with Fill Cap
7	EW-115	Cover Attachment Screw (2)
8 ‡	ESD-241	Fill Cap for Soap Reservoir
9 ‡	ESD-242	Sleeve for Fill Cap
10 ‡	ESD-243	Jam Nut for Fill Cap Sleeve
11	ETF-725-A	Grid Strainer Assembly (2)
12	EW-127	Velcro® Strip (Hook)
13	EW-123	Plastic Cabinet
—	MIX-19	Supply Hose (Not Shown)
—	EW-96	T-Handled Wrench (Not Shown)
—	EW-128	Velcro® Strip (Loop) (Not Shown)
— ‡	ESD-249	Fill Cap Spanner (Not Shown)
—	EW-98	Light Duty Buffing Pad (Not Shown)
—	EW-108	General Purpose Buffing Pad (Not Shown)
†	EW-141	Spacers (Not Shown)

† Included on models with Soap Dispenser

‡ Included on models with Fill Cap

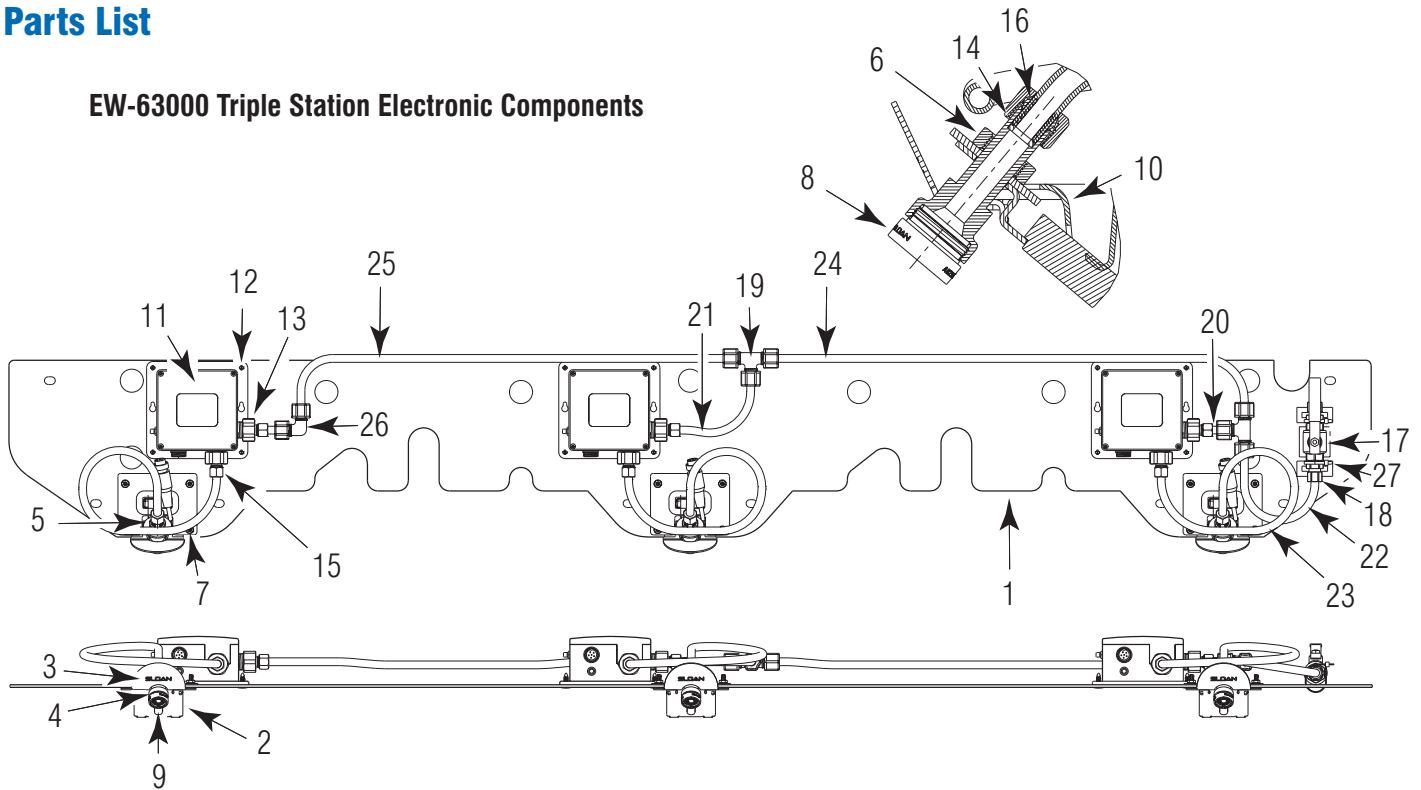
EW-63000 Triple Station Cables



Item No.	Part No.	Description
A	SFP-38	Cable Splitter
B	SFP-37	Cable Extension
C	SFP-36	Transformer

Parts List

EW-63000 Triple Station Electronic Components

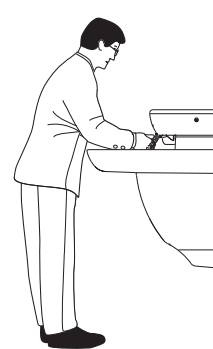


Item No.	Part No.	Description
1	EW-117	Component Mounting Plate, 3 Station
2	EW-119	Sensor Housing
3	EW-100-A	Sensor Base Plate Assembly
4	EW-112	Spout Adapter
5	EW-140	Washer, 9/16"
6	MIX-69	Hex Nut
7	EW-14	Nut #8-32 (KEPS)
8	ETF-723	Spray Head 0.5 gpm (1.9 Lpm) Vandal Proof
9	SFP-41-A	Sensor with Range Adjustment Kit
10	EW-120	Sensor Backing Piece
11	SFP-40	Control Box with Button
12	EW-116	Push-In Clip
13	SFP-45-A	Inlet Adapter Kit
14	EW-26	Tube Support 3/8"

Item No.	Part No.	Description
15	ETF-209	Compression Nut
16	ETF-208	Ferrule
17	EW-118	Shut-Off Valve
18	ETF-61	Male Connector
19	EW-19	Compression Tee Fitting 3/8" Tube
20	EW-89-1	Tube, 3/8" 1.56" (40 mm) Long
21	EW-89-5	Tube, 3/8" 6.75" (172 mm) Long
22	EW-89-6	Tube, 3/8" 8.19" (208 mm) Long
23	EW-89-7	Tube, 3/8" 17.50" (445 mm) Long
24	EW-89-9	Tube, 3/8" 25.75" (654 mm) Long
25	EW-89-10	Tube, 3/8" 24.75" (629 mm) Long
26	EW-18	Compression Elbow Fitting 3/8" Tube
27	ETF-198	Tie Wrap
—	ELC-17	Bond Tape (Not Shown)

Operation

As the user's hands pass under the spray head and enter the beam's effective range, the beam is reflected back into the sensor receiver and activates the solenoid valve allowing water to flow from the Spray Head. Water will flow until the user's hands are removed from under the Spray Head or until the automatic time out limit setting is reached.



When assistance is required, please contact Sloan Valve Company Installation Engineering Department at:

1-888-SLOAN-14 (1-888-756-2614) OR 1-847-233-2016

The information contained in this document is subject to change without notice.