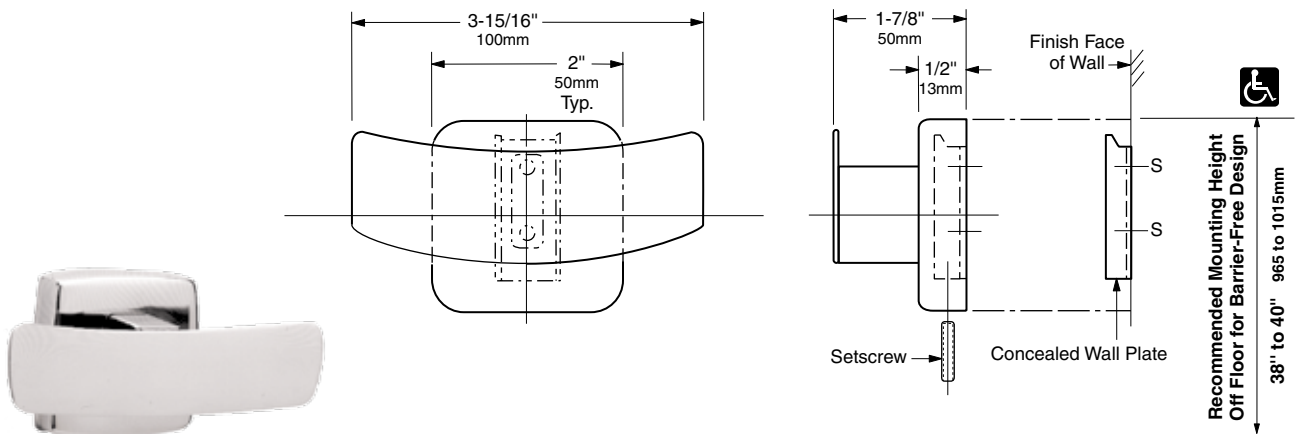


**Specify Model Required:**  Model 7672 Bright polished stainless steel  
 Model 76727 Satin-finish stainless steel



**MATERIALS:**

**Flange & Support Arm** — 18-8 S, type-304, 22-gauge (0.8mm) stainless steel. Concealed, 18-gauge (1.2mm) stainless steel mounting bracket. All-welded construction. Secured to wall plate with a stainless steel setscrew.

**Concealed Wall Plate** — 18-8 S, type-304, 19-gauge (1.0mm) stainless steel.

**Cap** — 18-8 S, type-304, 14-gauge (2.0mm) stainless steel. Welded to the support arm.

**INSTALLATION:**

To remove concealed wall plate from back of flange and mounting bracket, loosen setscrew. Mount wall plate so prongs are at top; secure with two sheet-metal screws, furnished by manufacturer, at points indicated by an S. Engage mounting bracket onto prongs of wall plate, then secure unit into position by tightening setscrew at bottom of flange.

For plaster or dry wall construction, provide concealed backing to comply with local building codes, then secure unit with sheet-metal screws furnished. For other wall surfaces, provide fiber plugs or expansion shields for use with screws furnished, or provide 1/8" (3mm) toggle bolts or expansion bolts.

For partitions with particle-board or other solid core, secure with sheet-metal screws furnished, or provide through-bolts, nuts, and washers. For hollow-core metal partitions, provide solid backing into which the furnished sheet-metal screws can be secured.

**SPECIFICATION:**

Surface-mounted double robe hook shall be type-304 stainless steel with \_\_\_\_\_ (insert one: bright polished or satin) finish. Flange and support arm shall be 22 gauge (0.8mm) and equipped with a concealed, 18-gauge (1.2mm) mounting bracket that is secured to a concealed, 19-gauge (1.0mm) wall plate with a stainless steel setscrew. Cap shall be 14 gauge (2.0mm), welded to the support arm.

**Surface-Mounted Double Robe Hook shall be Model \_\_\_\_\_ (insert model number) of Gamco Commercial Restroom Accessories, A Division of Bobrick, Durant, OK**