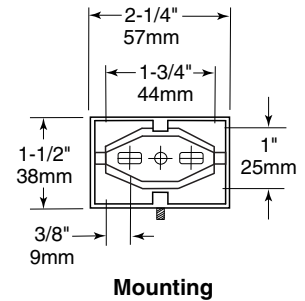
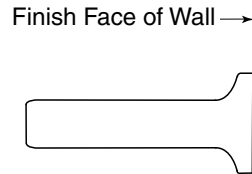
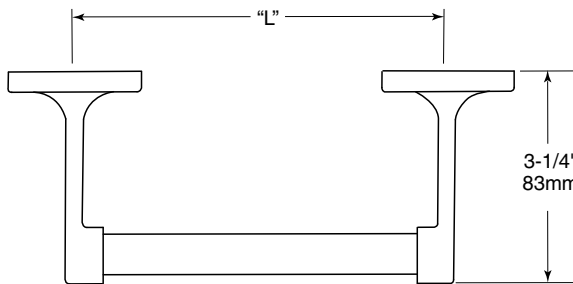
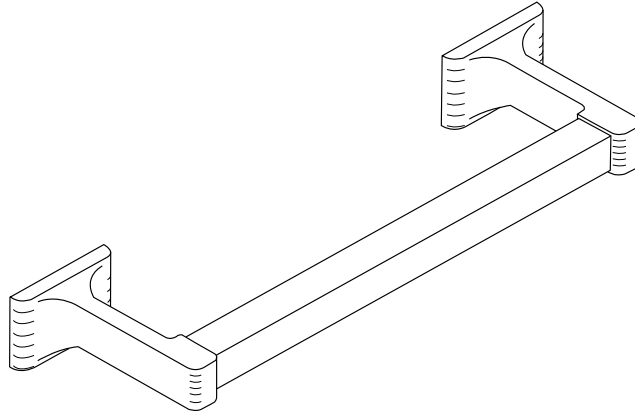


Date:

Project Name:

751 x 18 for 18" (457mm) Bright-Polished Finish
751 x 24 for 24" (610mm) Bright-Polished Finish



CONSTRUCTION:

Posts are die cast from highest quality virgin zinc alloy (Zamak) to meet ASTM standard B-86. Castings are highly polished with chrome, polished brass, or antique brass. Wall plate is 20-gauge (0.9mm) zinc plated steel.

INSTALLATION:

Mount wall plate on wall surface in horizontal position with 2- #8 x 1-1/4" (32mm) round head zinc plated steel screws provided. Slip robe hook over wall plate and tighten setscrew until secure. Wood blocking is preferable behind all wall surfaces.

NOTE:

If wood blocking is not available, the following fasteners are suggested:

- Tile/Masonry - Plastic or lead anchors
- Plaster/Drywall - Toggle bolts

Towel Bar shall be Model _____ (insert model number) of Gamco Commercial Restroom Accessories, A Division of Bobrick, Durant, OK