

# ELECTRONIC-DC FAUCETS



## EFS-110

### Electronic Faucets

#### Product Type

Wall Mounted Single Hole Electronic Hand Washing Station with Dual Beam Infrared Sensor

#### Features & Specifications

- Single Hole
- 1.5 GPM (5.7 L/min)
- Single Supply Inlet for Tempered Water Service
- 1250 Milliliters of Soap Included
- Four "D" Cell Batteries Included
- Stainless Steel Supply Hose Included
- Designed to be Used with Temperature Control Mixer
- Override Button allows for non potable, water-only dispensing.
- Lighted icons indicate the current hand wash cycle.
- A low battery light and low soap light provide warning to replace batteries or soap bottle.
- Touch-free operation: EFS activates hand washing sequence when faucet senses presence of hands.
- Lower Dispenser Enclosure Assembly Houses Batteries and Soap Reservoir
- Single and Dual Soap Dispense Feature
- Sensor Range Adjustment Feature

#### Performance Specification

- Rated Operating Pressure: 30-120 PSI
- Rated Operating Temperature: 40-140°F

#### Warranty

- Lifetime Limited Faucet Warranty
- 1-Year Limited Finish Warranty
- 5-Year Limited Mechanical Warranty
- 3-Year Limited Electronics and Solenoid Warranty

#### Codes & Standards

- ASME A112.18.1/CSA B125.1
- ADA ANSI/ICC A117.1
- CALGreen

Job Name \_\_\_\_\_

Item Number \_\_\_\_\_

Section/Tag \_\_\_\_\_

Model Specified \_\_\_\_\_

Architect \_\_\_\_\_

Engineer \_\_\_\_\_

Contractor \_\_\_\_\_

Submitted as Shown       Submitted with Variations

Date \_\_\_\_\_



2100 South Clearwater Drive  
 Des Plaines, IL  
 P: 847/803-5000  
 F: 847/803-5454  
 Technical: 800/TEC-TRUE  
 www.chicagofaucets.com

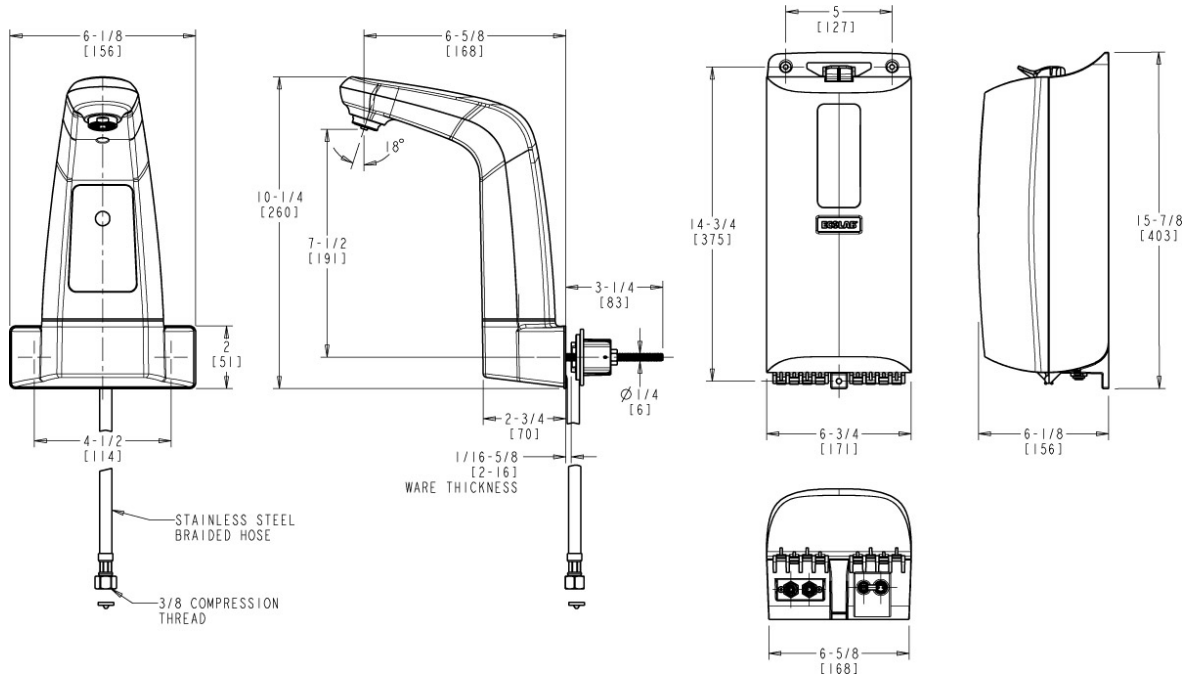
# EFS-110

## Electronic Faucets



### Architect/Engineer Specification

Chicago Faucets No. EFS-110, Electronic Hand Wash Station with dual-beam infrared sensor, wall-mounted with 4" fixed centers, chrome plated. Touch-free operation: EFS activates hand-washing sequence when faucet senses presence of hands. 1.5 GPM (5.7 L/min) aerator. Single-supply inlet for tempered water, designed to be used with temperature control mixer. Includes 1250 ml of soap, four "D" cell batteries, and flexible, stainless steel supply hose. Override button dispenses non-potable water without soap. Lighted icons indicate the current hand wash cycle. Low battery and low soap indicators provide warning to replace batteries or soap bottle. Soap dispenser enclosure houses batteries and soap reservoir. Single and dual soap dispensing options. Adjustable sensor range. CALGreen Compliant.



### Operation and Maintenance

Installation should be in accordance with local plumbing codes. Flush all pipes thoroughly before installation. After installation, remove spout outlet or flow control and flush faucet thoroughly to clear any debris. Care should be taken when cleaning the product. Do not use abrasive cleaners, chemicals or solvents as they can result in surface damage. Use mild soap and warm water for cleaning and protecting the life of Chicago Faucet products. For specific operation and maintenance refer to the installation instructions and repair parts documents that are located at [www.chicagofaucets.com](http://www.chicagofaucets.com).

Chicago Faucets, member of the Geberit Group, is the leading brand of commercial faucets and fittings in the United States, offering a complete range of products for schools, laboratories, hospitals, office buildings, food service, airports and sport facilities. Call 1.800.TECTRUE or 1.847.803.5000 Option 1 for installation or other technical assistance.



2100 South Clearwater Drive  
Des Plaines, IL  
P: 847/803-5000  
F: 847/803-5454  
Technical: 800/TEC-TRUE  
[www.chicagofaucets.com](http://www.chicagofaucets.com)