

- ADA and TAS Compliant
- Suitable for Heavy Duty Hand Washing
- Reliable Infrared, Air Metering or TouchTime® Control
- Vandal Resistant – Easy to Clean
- Three Different Heights (Including Juvenile and Intermediate Heights)

### Specifications

#### Size and Capacity

Accommodates up to five users at a time, using less water, energy and space than lavs equipped with conventional faucets. The non-sectional sprayhead module is controlled by an infrared sensor, TouchTime electronic push button, or push button air metering valve. The operating water pressure range is 20–80 psi. Flow at 1.25 GPM when properly adjusted.

### Construction

#### Bowl Materials

Constructed of Terreon®, a densified solid surface material composed of polyester resin, or Terreon®RE, a densified solid surface material composed of a bio-based resin and preconsumer recycled granules. Terreon and TerreonRE are resistant to chemicals, stains, burns and impact. Surface damage can be easily repaired with everyday cleansers or fine grit abrasives. Terreon and TerreonRE are NAHB certified to meet ANSI Z124.3, Z124.6 and ANSI/ICPA SS-1-2001. Terreon and TerreonRE are GREENGUARD® certified as low-emitting materials.

#### Trap Enclosure/Pedestal

The elliptical, tapered pedestal is fabricated from reinforced, gel-coated fiberglass with a stainless steel trim piece or kick plate to prevent damage. A large access panel is provided for ease of installation and maintenance.

#### Vandal Resistance

The infrared sensors and lenses or push buttons are secured to the unit from inside a heavy gauge stainless steel module to prevent tampering. If a vandal attempts to trigger constant operation by covering the sensor or placing a stationary object in the sensor's detection area, the adaptive infrared sensor will automatically shut off the water flow after 30 seconds. All valves, water supplies and waste connections are concealed inside the pedestal/trap enclosure. The Terreon and TerreonRE bowls are resistant to stains, burns and impact; surface damage is easily repaired and repair work is virtually undetectable.

### Standard Equipment

#### Valves and Fittings

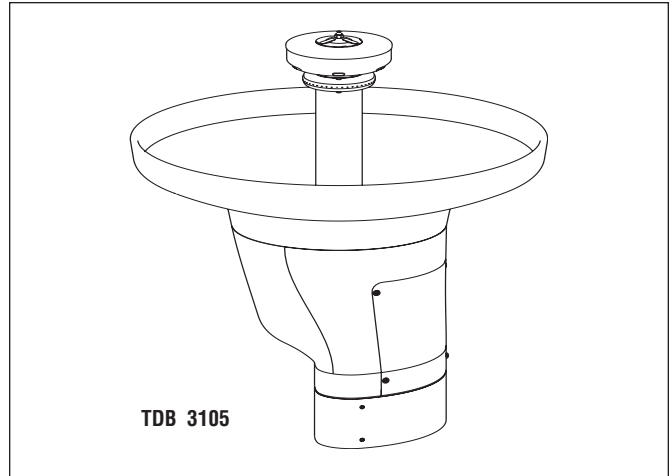
In addition to the bowl and pedestal, the following valves and fittings are standard: sprayhead with stainless steel support tube and bowl gasket; drain and tailpiece with strainer; sprayhead supply tubing; Navigator® thermostatic mixing valve; flexible stainless steel supply hoses; stops, and volume control valve.

### Activation Controls

#### Infrared Control

Each of the stream formers is controlled by a separate solenoid valve. Hands placed within the bowl are detected by an infrared sensor module which activates a flow of tempered water from one station. Shut-off is automatic after hands are removed from the detection area. The infrared sensor uses a conical-shaped transmitting beam, having a detection area adapted to, but not exceeding, the bowl perimeter. The detection area projects forward 15° to each side and 15° below. The adaptive infrared sensor automatically adapts to the bowl after power is turned on. The infrared sensor is not affected by varying color tones or darkness. Direct sunlight or bright washroom lights will not activate the system. Infrared models also include solenoid valves and a low-voltage transformer as standard equipment:

- Solenoid – 24V, 50/60 Hz, 3/8" NPT. Few moving parts, and resistant to most chemicals, minerals, and impurities often present in municipal water supplies.
- Low-Voltage Transformer – Class II UL/CSA listed, 110/24 VAC plug-in transformer. Plugs into a standard GFCI protected electrical outlet. Location of transformer per local electrical code.



#### TouchTime Hand Control

Each low-voltage button actuates a non-hold-open, slow-closing anti-hammer solenoid valve that is timed from an electronic potted assembly. Each push button activates a flow of tempered water from the non-sectional sprayhead. TouchTime controls water flow at each station through the use of solid state, digital circuitry. Timing is electronically controlled at 15 seconds. Push button requires less than five pounds of pressure.

#### Air Valve Hand Control

Each push button pneumatically actuates a non-hold-open, air metering, single-temperature valve with field adjustable timing from 0–45 seconds. Factory preset at 10 seconds. Each push button activates one valve which, in turn, activates one station. Push button requires less than five pounds of pressure.

### Code Compliance and Certifications

#### cUPC Approval

Deep Bowl Washfountains are Uniform Plumbing Code (UPC), International Plumbing Code (IPC) and National Plumbing Code of Canada (NPC) approved through the International Association of Plumbing and Mechanical Officials (IAPMO). Manufactured in compliance with IGC 156-2009, CSA B45 Series-2002 (R08) & ASME A112.18.1-2005/CSA B125.1-2005.

#### ANSI Standards

Terreon and TerreonRE are certified by NAHB to meet ANSI Z124.3, Z124.6 and ANSI/ICPA SS-1-2001.

#### Standard Height Mounting

The TDB3105 at standard height is designed to comply with all ADA guidelines on reaches, clearances and operation.

Optional equipment may not comply with all ADA dimensional guidelines.

#### Juvenile Height Mounting

The TDB3105 is designed to mount at different heights to comply with guidelines on reaches, clearances and operation for various codes including ADA Accessibility Guidelines for Buildings and Facilities (ADAAG) and TAS (Texas Accessibility Standards). Always check your local and state codes.

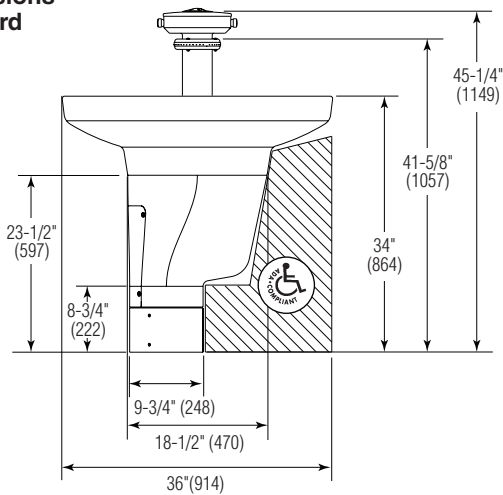


Standard product selections contained within this document are third party **CERTIFIED** to NSF/ANSI 372 meeting the Lead-Free content requirement. Any product configured with custom options will be **COMPLIANT** with NSF/ANSI 372 meeting the Lead-Free content requirement.

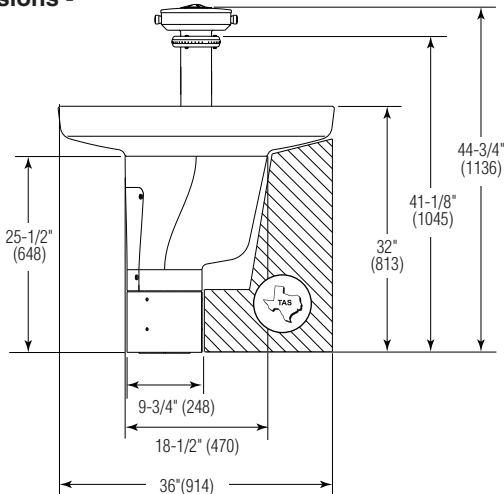


<b>Standard Selections</b> (Must select one from each category)	
<b>Trap Enclosure/Height (select one)</b>	
<input type="checkbox"/> <b>STD</b>	Pedestal – Standard Height 34" Rim
<input type="checkbox"/> <b>JUV</b>	Pedestal – Juvenile Height 30" Rim
<input type="checkbox"/> <b>TAS</b>	Pedestal – Intermediate Height 32" Rim
<b>Drain Type (select one)</b>	
<input type="checkbox"/> <b>A</b>	Off-line vent with supplies from below
<input type="checkbox"/> <b>B</b>	Centrally rising vent with supplies from above
<input type="checkbox"/> <b>H</b>	Centrally rising vent with supplies from below
<input type="checkbox"/> <b>O</b>	Off-line vent with supplies from above trap
<b>Controls (select one)</b>	
<input type="checkbox"/> <b>IR</b>	Adaptive Infrared Activation
<input type="checkbox"/> <b>TT</b>	TouchTime® Control
<input type="checkbox"/> <b>AST4</b>	Air Valve Hand Control
<b>Mixing Valve (select one)</b>	
<input type="checkbox"/> <b>TL</b>	Tempered Line
<input type="checkbox"/> <b>TMA</b>	Thermostatic Mixing Valve
<b>Soap Dispenser* (select one)</b>	
<input type="checkbox"/> <b>LSD*</b>	Liquid Soap Dispenser
<input type="checkbox"/> <b>PSD</b>	Powdered Soap Dispenser
<input type="checkbox"/> <b>NSD</b>	No Soap Dispenser
<input type="checkbox"/> <b>MLSD*</b>	Metal-Clad Liquid Soap Dispenser
<input type="checkbox"/> <b>MPSD*</b>	Metal-Clad Powdered Soap Dispenser
<b>Color of Terreon® Bowl (select one)</b>	
<i>Standard Colors</i>	
<input type="checkbox"/> <b>E-GRAY</b>	Empire Gray
<input type="checkbox"/> <b>BONE</b>	Mesa Bone
<input type="checkbox"/> <b>PEP-WHT</b>	Peppered White
<input type="checkbox"/> <b>SAND</b>	Sandtrap
<input type="checkbox"/> <b>DS-WHT</b>	Designer White
<input type="checkbox"/> <b>CHAR**</b>	Charcoal Gray
<input type="checkbox"/> <b>GRAPH**</b>	Graphite
<input type="checkbox"/> <b>LANNON</b>	Lannonstone
<input type="checkbox"/> <b>COBBLE</b>	Cobblestone
<input type="checkbox"/> <b>WHT-SAND</b>	White Sand
<input type="checkbox"/> <b>LONDON</b>	London Gray
<input type="checkbox"/> <b>O-TAUPE</b>	Organic Taupe
<i>Designer Colors*** (available at an additional charge)</i>	
<input type="checkbox"/> <b>ARC-CHIP</b>	Arctic Chip
<input type="checkbox"/> <b>COFFEE</b>	Coffee Bean
<input type="checkbox"/> <b>RIVER</b>	Riverstone
<i>TerreonRE Colors*** (available at an additional charge)</i>	
<input type="checkbox"/> <b>BIRCH-BARK</b>	Birch Bark
<input type="checkbox"/> <b>MOONDUST</b>	Moon Dust
<input type="checkbox"/> <b>DUSK</b>	Dusk
<input type="checkbox"/> <b>OAT</b>	Oat
<b>Optional Selections</b>	
<b>Stainless Steel Shroud*</b>	
<input type="checkbox"/> <b>SH</b>	Stainless Steel Shroud (Conceals overhead plumbing)
<b>1-1/2" Tie Pipe Assembly*</b>	
<input type="checkbox"/> <b>TA</b>	Reinforces Support Tube
<b>Paper Towel Dispensers*</b>	
<input type="checkbox"/> <b>CTD (3)</b>	C-Fold, Multi-Fold Dispenser
<input type="checkbox"/> <b>SFTD (3)</b>	Single-Fold Dispenser

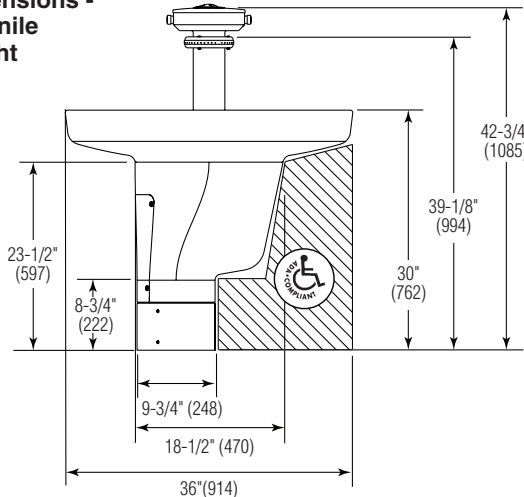
#### Dimensions - Standard Height



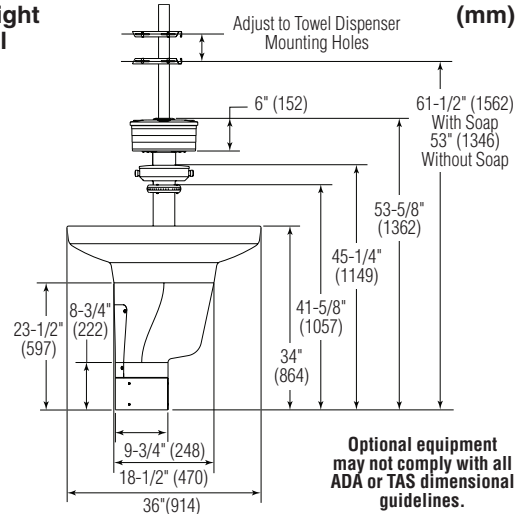
#### Dimensions - TAS Height



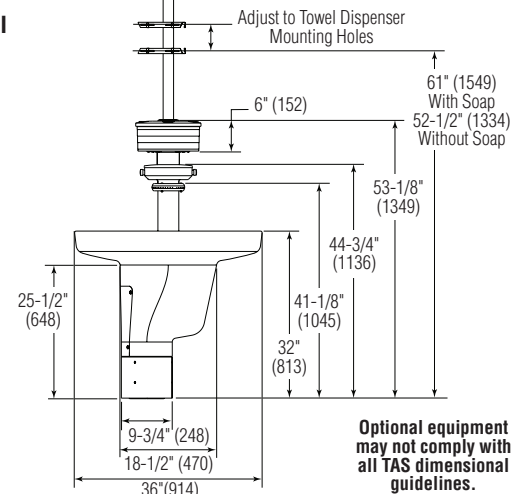
#### Dimensions - Juvenile Height



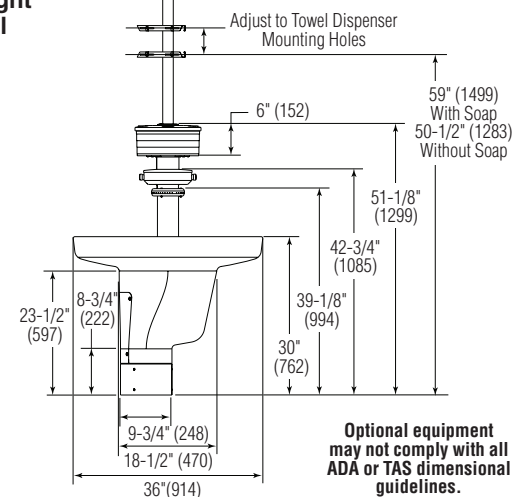
#### Standard Height with Optional Accessories



#### TAS Height with Optional Accessories



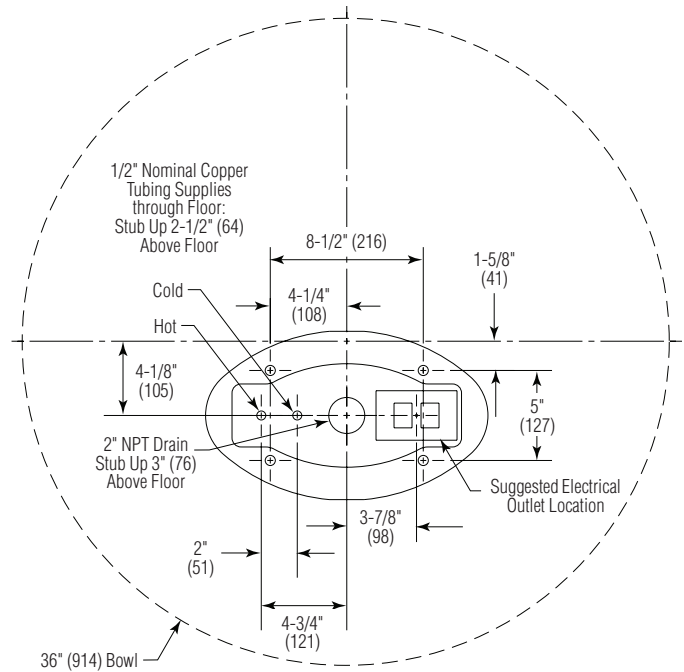
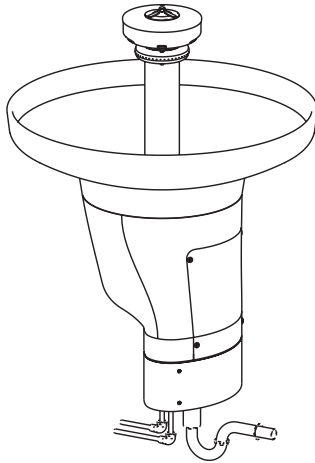
#### Juvenile Height with Optional Accessories



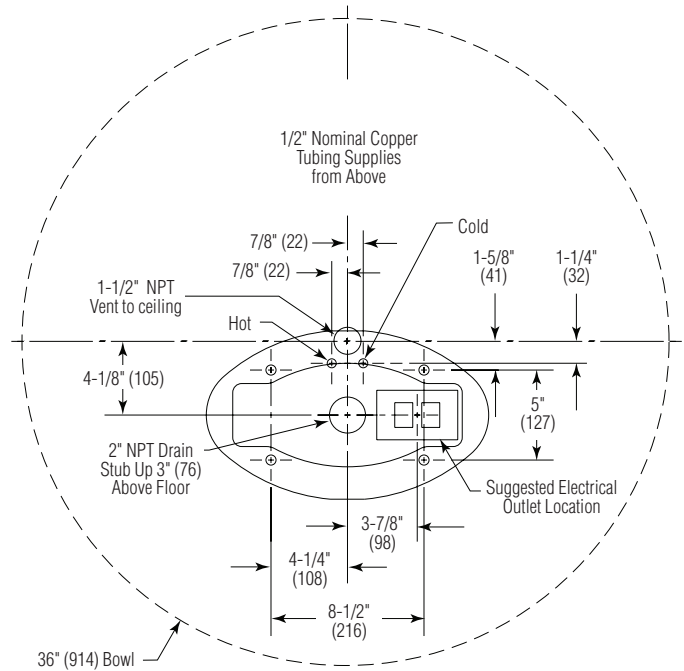
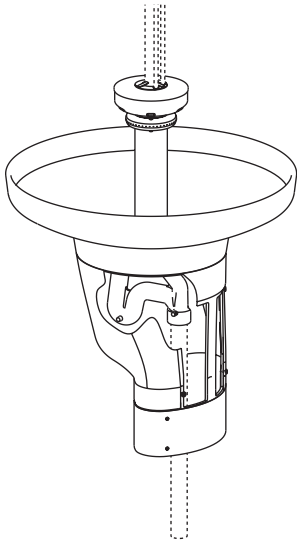
**Rough-Ins**

(mm)

**Type A -**  
 Off-line vent with supplies from below.



**Type B -**  
 Centrally rising vent with supplies from above.

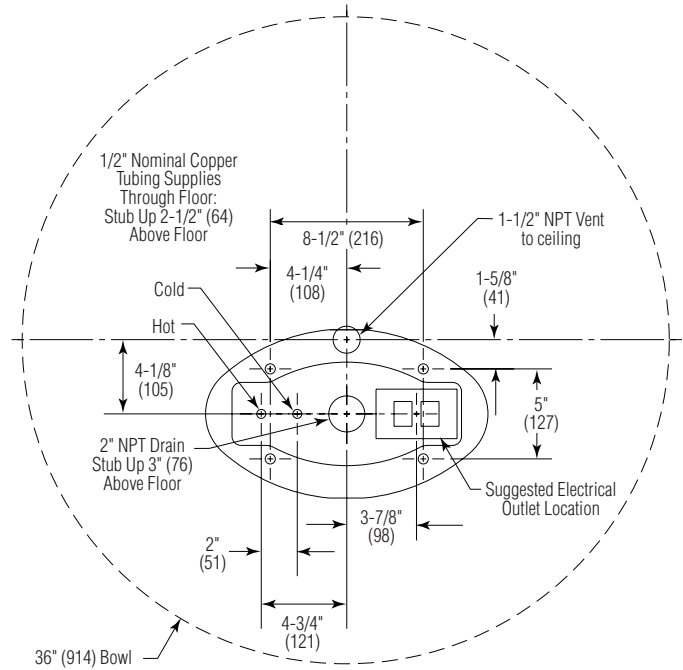
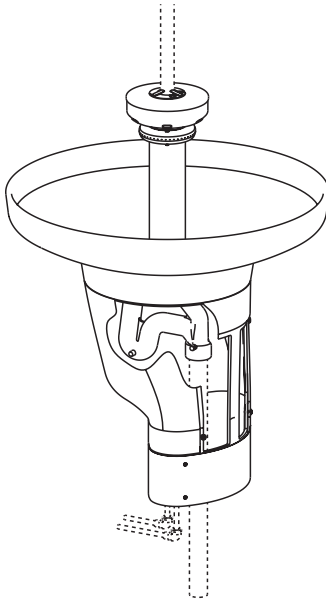


**Rough-Ins**

(mm)

**Type H -**

Centrally rising vent with supplies from below.



**Type O -**

Off-line vent with supplies from above.

