



LVSD3

Verge® Wash Basin – LVS-Series

- Sophisticated design integrates a linear open concept with personal space
- Single piece molded design eliminates caulk lines and seams
- Standard system comes complete with mounting, access panel, drain assembly and plumbing connections
- Compatible with Verge™ deck-mounted soap dispensers and faucets

Specifications

Accommodates one to three users. The units handle washroom traffic quickly and economically, while providing each user with personal space. The Verge® Wash Basin is designed with standard lavatory spacing positioned on 30" centers.

Product Compliance

Listed by IAPMO R&T to

- Uniform Plumbing Code (UPC)
- National Plumbing Code of Canada
- International Plumbing Code (IPC)
- IGC 156 and the requirements of CSA B45.5/IAPMO Z124 and ASME A112.18.1/CSA B125.1



Complies with

- ADA
- ICC/ANSI 117.1
- TAS
- NSF/ANSI 372



Listed by UL Environment to

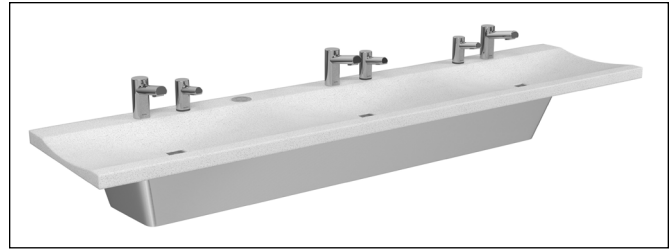
- GreenGuard Gold



- ✓ Serves the American Disabilities Act and ICC/ANSI 117.1 guidelines, citations 306, 308, 309.4, 606.4, 606.5 when installed according to these requirements. Consult local codes and standards.

Accessibility

Accessibility Code	Rim Height (maximum)	Notes
ADA	33½" (851)	At least one basin must meet dimensional requirements and have proper reach, knee, and toe clearance.
ADA/JUV Juvenile ADA	30½" (775)	At least one basin must meet dimensional requirements and have proper reach, knee, and toe clearance.
CSA Canadian Standards Association	33½" (851)	
OBC Ontario Building Code	33" (838)	



Construction

Basin

Evero® Geo Series is a natural quartz surface made from a blend of bio-based resin, natural quartz, granite, and other exotic minerals. It is made of 25% recycled content.

Evero Pearl Series is a natural quartz surface made with bio-based resin, sea shells, recycled glass, and natural quartz. It is made of 70% recycled content.



Variations in the natural stone color, pattern, size, shape, and shade are inherent. Due to these unique characteristics, please expect subtle shade variations when units are installed adjacent to each other.

Access Panel

Minimalistic panel is composed of decorative 300 series stainless steel. Water supplies, valves, waste assembly and other optional items are concealed within the panel. The panel requires only one person for installation and removal.

Support Bracket

Bracket design allows for flexible stud or wall blocking anchor locations. Eliminates the need for in-wall carriers. IAPMO certified to meet or exceed ANSI load requirements.

Faucet Options

Choose from our 0.35 gpm (1.30 Lpm) or 0.50 gpm (1.90 Lpm) Verge Faucet – Crestt, Metro, Linea, and Zen Series. 4" centerset and centershank faucet drillings are available for faucets by others. To maximize handwashing space and minimize splashing, Bradley recommends a faucet reach between 4" and 6". Dimension is measured from shank centerline to aerator centerline.

Soap Dispensers

Choose from our Verge Deck-Mounted Soap Dispensers – Crestt, Metro, Linea, or Zen Series. Dispensers can be arranged as personal soap (dispensers next to each faucet) or shared soap (dispensers in between faucets). See page 3 for drilling locations. Soap drillings available for soap by others.

Strainer and Drain Assembly System

Strainer and drain assembly system comes complete with plungable 300 series stainless steel strainers, tailpiece, and polypropylene P-trap. Optional chrome-plated P-trap available.



This plumbing fixture is designed for hand washing only. It is not intended to dispense water for human consumption through drinking or for preparation of food or beverages.



LVSD3

Verge® Wash Basin – LVS-Series

Models (Must select one)	
Model	Description
LVSD3	Verge Wash Basin – LVS-Series, Three-Station
Standard Selections (Must select one from each category)	
Faucet Type (select one)	
S53-3100	Verge Faucet – Crestt Series
S53-3300	Verge Faucet – Metro Series
S53-3500	Verge Faucet – Linea Series
S53-3700	Verge Faucet – Zen Series
4" Set	4" Centerset (1¼" Drilling Only)
SHANK	Centershank (1¼" Drilling Only)
Faucet Activation Type (select one)	
R	Touch-Free Activation ◊
NONE	No Activation ◆
Water Supply Type (select one)	
T	Thermostatic Mixing Assembly (supply hoses and shut-offs included)
L	Single Tempered Line Assembly (supply hoses and shut-offs included)
Flow Control Type △ (select one)	
3	0.35 gpm (1.30 Lpm) Silicone Tip, Multiple Individual Laminar Flow Streams
5	0.50 gpm (1.90 Lpm) Silicone Tip, Multiple Individual Laminar Flow Streams
Faucet Finish Type △ (select one)	
PC	Polished Chrome
BB	Brushed Black Stainless
BS	Brushed Stainless
BZ	Brushed Bronze
BR	Brushed Brass
BN	Brushed Nickel
<i>Grid strainer will always have a stainless steel finish.</i>	
Faucet Power Supply (select one)	
AC	AC Power △**
BA	Battery △ – 4x AA alkaline batteries included per faucet
NONE	No Power Supply ▲
Soap Dispenser Type (select one)	
6-3100	Verge Deck-Mounted Soap Dispenser – Crestt Series △
6-3300	Verge Deck-Mounted Soap Dispenser – Metro Series △
6-3500	Verge Deck-Mounted Soap Dispenser – Linea Series △
6-3700	Verge Deck-Mounted Soap Dispenser – Zen Series △
SDO	1-3/8" Soap Drilling Only
NSD	No Soap Dispenser/No Drilling
Soap Location Type (select one)	
SSD	Shared Soap Drilling – located in-between faucets (1 drilling)
PSD	Personal Soap Drilling – next to each faucet (2 drillings)
<i>NOTE: When selecting SSD, the soap dispenser is located above the elevated section of the basin. When selecting PSD, the right station soap dispenser is located to the left of the faucet. Refer to page 3 for soap drilling locations.</i>	

Soap Activation Type (select one)					
R	Touch-Free Activation ◊				
NONE	No Activation ◆				
Soap Type ◊ (select one)					
F	Foam Soap				
L	Liquid Soap				
Soap Fill System ◊ (select one)					
T	Single (top fill at spout)				
M	Multi-Feed (shared tank, includes 6-SOAP-MFT Multi-Feed Soap Tank Assembly)				
Soap Dispenser Finish Type ◊ (select one)					
PC	Polished Chrome				
BB	Brushed Black Stainless				
BS	Brushed Stainless				
BZ	Brushed Bronze				
BR	Brushed Brass				
BN	Brushed Nickel				
Soap Power Supply (select one)					
AC	AC Power ◊**				
BA	Battery ◊ – 4x D-cell batteries included per dispenser				
NONE	No Power Supply ◆				
Color of Evero® Basin (select one)					
<i>Geo Series</i>					
ANDORRA	Andorra	GLACIER	Glacier Bay	RAINIER	Rainier
ANTARCTICA	Antarctica	KALAHARI	Kalahari	SIENA	Sienna
ARUBA	Aruba	MOJAVE	Mojave	SIERRA	Sierra Madre
BLACK-SEA	Black Sea	MYKONOS	Mykonos	YUKON	Yukon
DENALI	Denali	PATAGONIA	Patagonia		
<i>Pearl Series (available at an additional charge) (Non-cancelable, non-returnable)</i>					
AKOYA	Akoya	BLACK-MOON	Black Moon		
Access Panel Type (select one)					
STAIN	Stainless Steel				
Waste Assembly Type (select one)					
IW-POLY	Polypropylene (1 P-trap per station)				
IW-CHROME	Chrome-Plated (1 P-trap per station)				

** AC power supply will include either individual AC plug-in adapter or 4-way AC splitter assembly depending on configuration.

△ Available with faucet selection only.

▲ Available with faucet drilling only.

◊ Available with soap dispenser selection only.

◆ Available with soap dispenser drilling only.

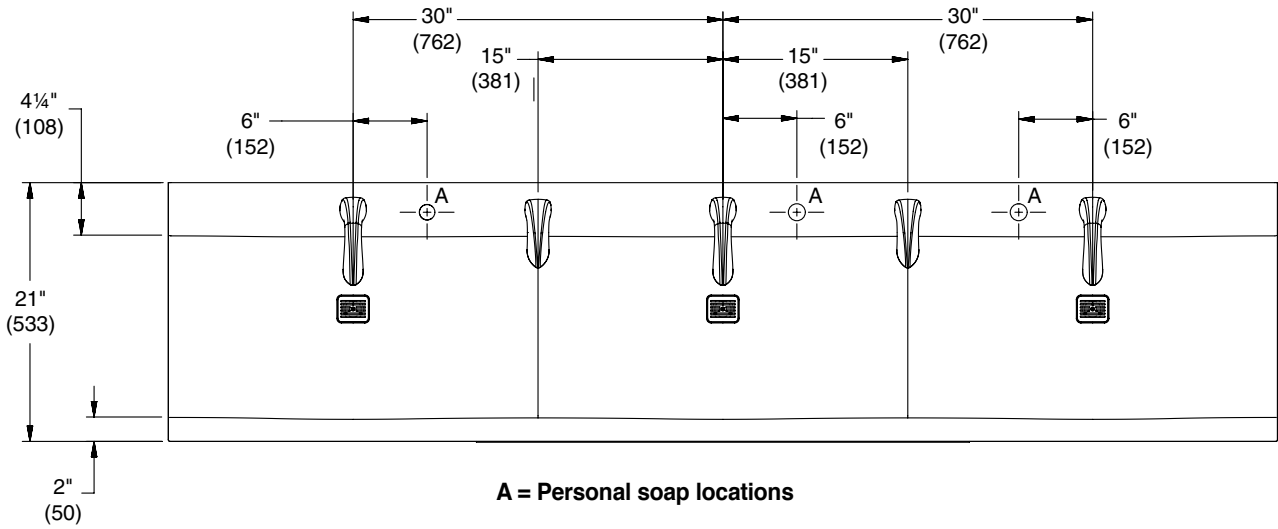


LVSD3 Verge® Wash Basin – LVS-Series

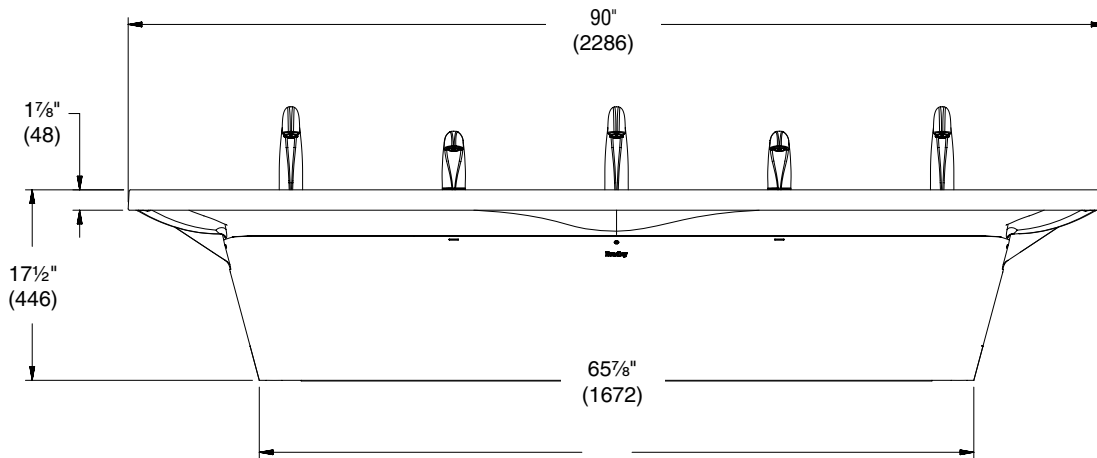
Dimensions for LVSD3 Verge Wash Basin (Shown with Crestt Series Faucet & Soap)

(mm)

Top View



Front View



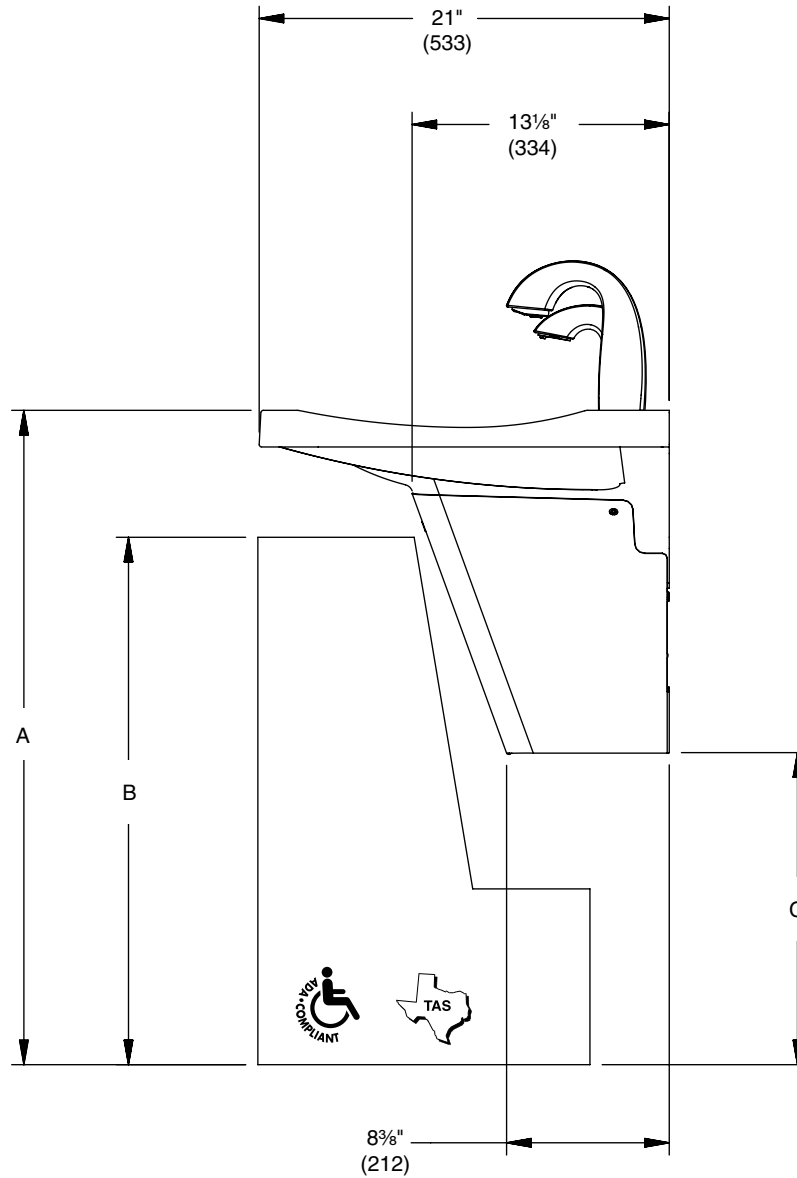


LVSD3 Verge® Wash Basin – LVS-Series

Dimensions for LVSD3 Verge Wash Basin

(mm)

Side View



	ADA/TAS Standard Height	ADA/TAS Juvenile Height (Children 6-12 years)	CSA Standard Height	OBC Standard Height
Dim A	33½" (851mm)	30½" (787mm)	33½" (851mm)	33" (838mm)
Dim B	27" (686mm)	24" (610mm)	29⅝" (752mm)	28⅞" (735mm)
Dim C	15⅞" (405)	13⅞" (341)	16⅝" (414)	15⅞" (391)



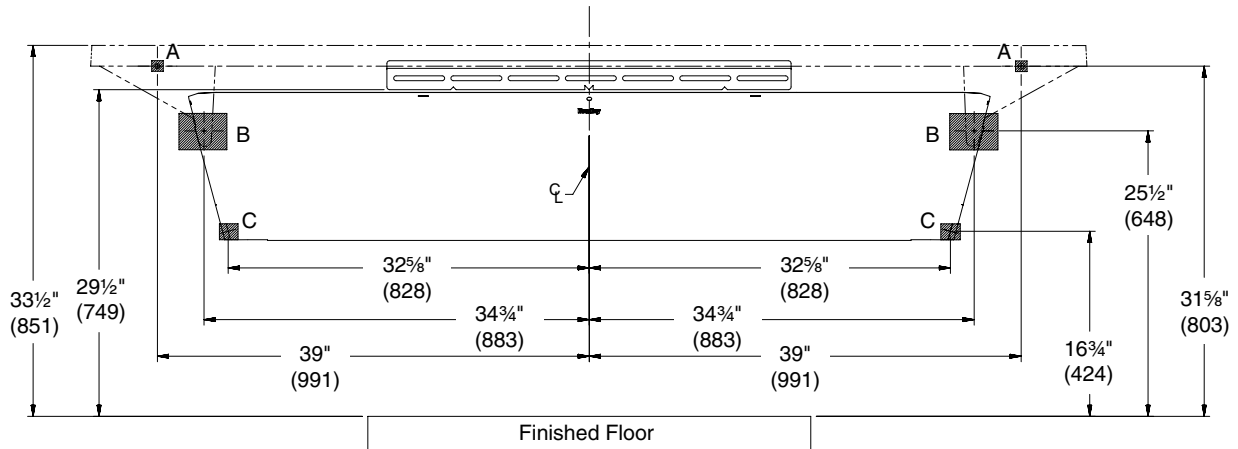
LVSD3 Verge® Wash Basin – LVS-Series

Structural Rough-Ins for LVSD3 Verge Wash Basin

(mm)

⚠ WARNING Ensure bowl is completely seated in the wall bracket and securely fastened to the wall at point A.

- Mounting for Standard, ADA, and TAS height shown.
- Points A, B, and C require sufficient backing compliant with local building codes.



CODE	DESCRIPTION	QTY.
A	Install (1) 3/8" wall anchor with a minimum pull-out force of 1,000 lb per local codes at locations shown	2
B	Provide structural backing compliant with local building codes.	2
C	Install wall anchor with a minimum pull-out force of 100 lb per local codes at locations shown	2

RIM HEIGHT	VERTICAL HEIGHT ADJUSTMENTS	FIXTURE STYLE
33 1/2"	No Adjustment	Standard Height, ADA, TAS and CSA
30 1/2"	Subtract 3"	Juvenile, ADA and TAS
33"	Subtract 1/2"	OBC



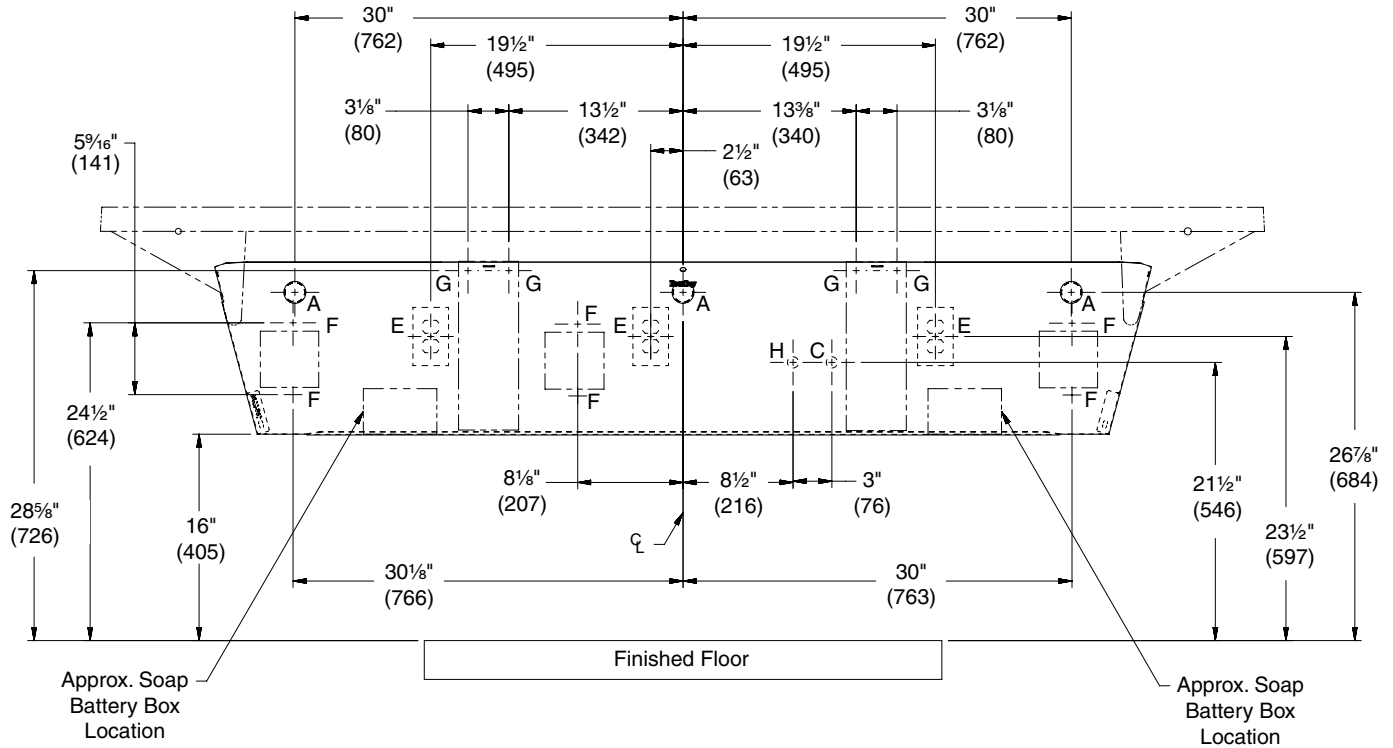
LVSD3 Verge® Wash Basin – LVS-Series

Plumbing and Electrical Rough-Ins for LVSD3 Wash Basin – Shared Soap

(mm)



Mounting for Standard, ADA, and TAS height shown.



CODE	DESCRIPTION	QTY.
A	1-1/2" NPT Drain, Stub-out 2" from wall, individual waste option	3
H,C	1/2" Nominal (5/8" O.D. Comp.) Hot/Cold supplies, Stub-out 2" from wall	1
E	110V GFI protected electrical outlet (AC faucet and soap only)	3
F	#10 Anchors for Faucet Control Box Installation	6
G	#10 Anchors for Soap Tank Installation	4



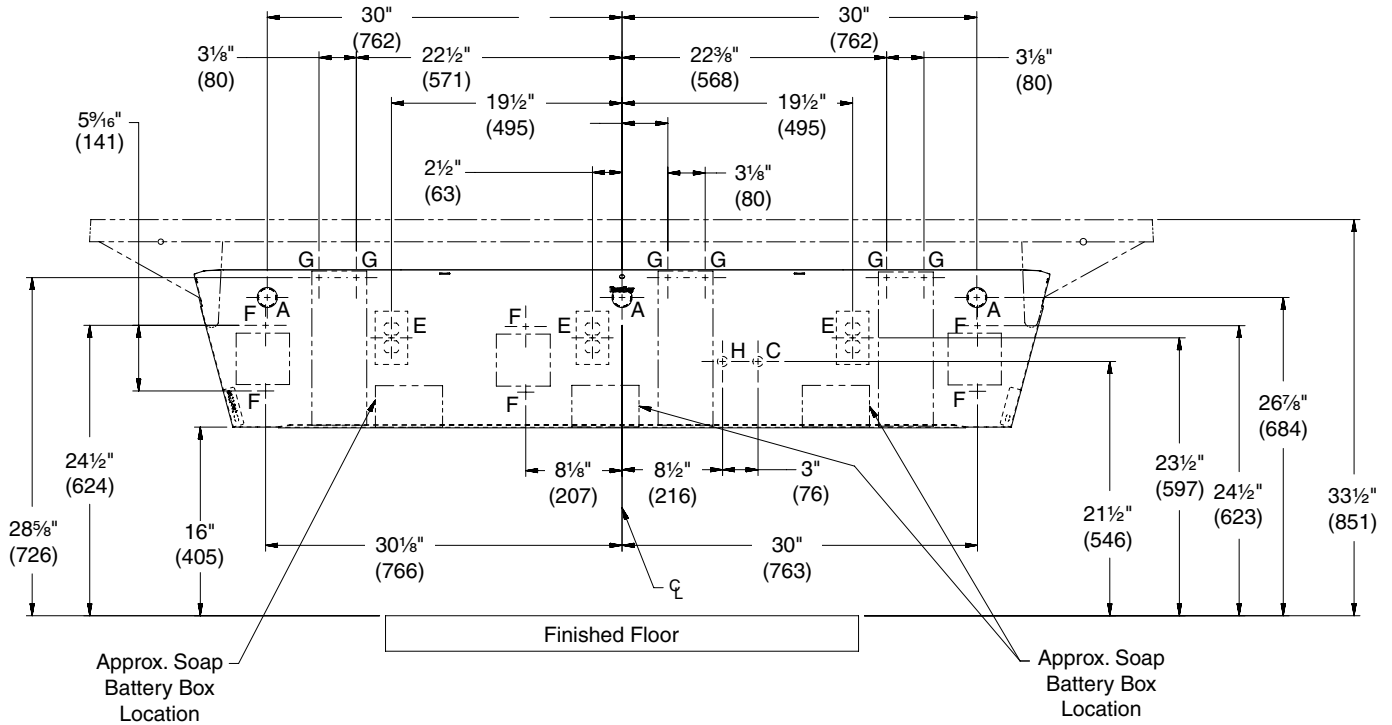
LVSD3 Verge® Wash Basin – LVS-Series

Plumbing and Electrical Rough-Ins for LVSD3 Wash Basin – Personal Soap

(mm)



Mounting for Standard, ADA, and TAS height shown.



CODE	DESCRIPTION	QTY.
A	1-1/2" NPT Drain, Stub-out 2" from wall, individual waste option	3
H,C	1/2" Nominal (5/8" O.D. Comp.) Hot/Cold supplies, Stub-out 2" from wall	1
E	110V GFI protected electrical outlet (AC faucet and soap only)	3
F	#10 Anchors for Faucet Control Box Installation	6
G	#10 Anchors for Soap Tank Installation	6



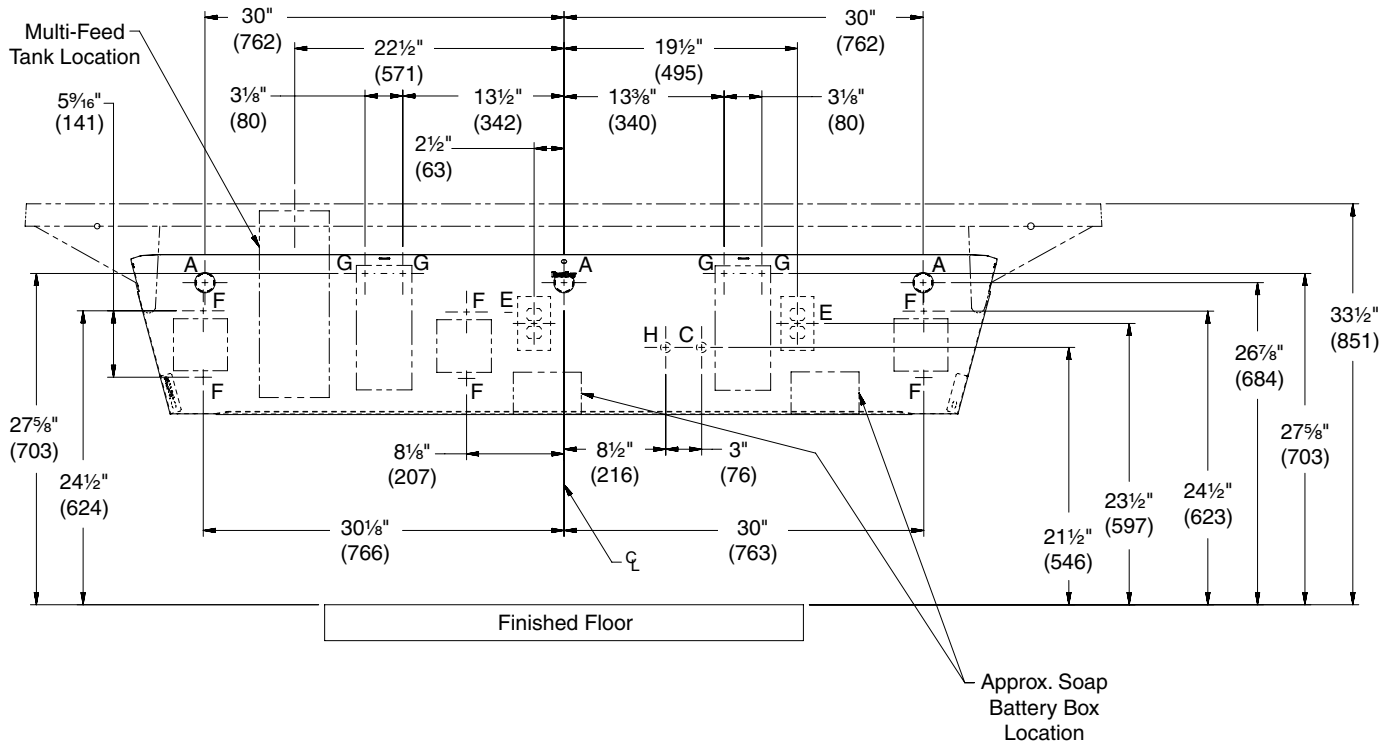
LVSD3 Verge® Wash Basin – LVS-Series

Plumbing and Electrical Rough-Ins for LVSD3 Wash Basin – Multi-Feed Shared Soap

(mm)



Mounting for Standard, ADA, and TAS height shown.



CODE	DESCRIPTION	QTY.
A	1-1/2" NPT Drain, Stub-out 2" from wall, individual waste option	3
H,C	1/2" Nominal (5/8" O.D. Comp.) Hot/Cold supplies, Stub-out 2" from wall	1
E	110V GFI protected electrical outlet (AC faucet and soap only)	3
F	#10 Anchors for Faucet Control Box Installation	6
G	#10 Anchors for Soap Tank Installation	4



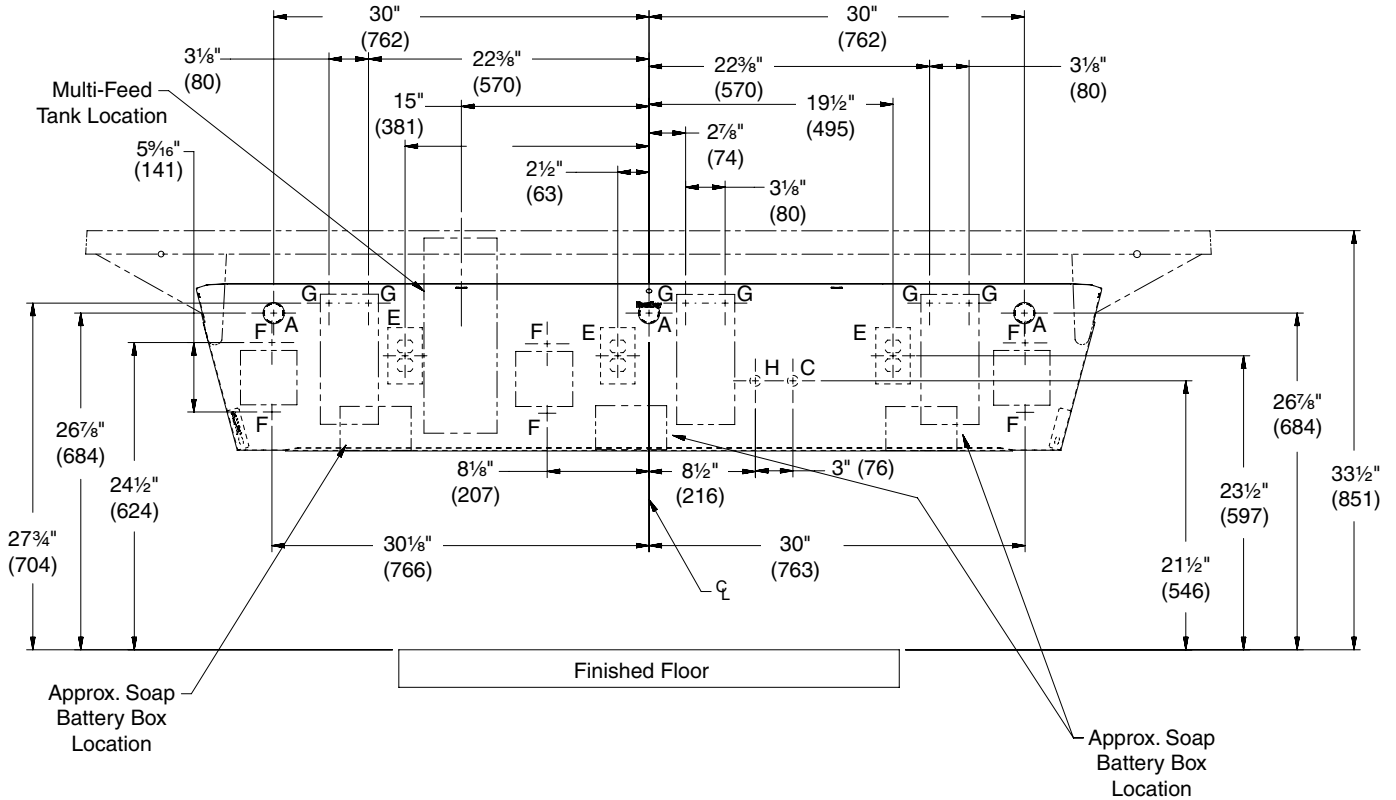
LVSD3 Verge® Wash Basin – LVS-Series

Plumbing and Electrical Rough-Ins for LVSD3 Wash Basin – Multi-Feed Personal Soap

(mm)



Mounting for Standard, ADA, and TAS height shown.



CODE	DESCRIPTION	QTY.
A	1-1/2" NPT Drain, Stub-out 2" from wall, individual waste option	3
H,C	1/2" Nominal (5/8" O.D. Comp.) Hot/Cold supplies, Stub-out 2" from wall	1
E	110V GFI protected electrical outlet (AC faucet and soap only)	3
F	#10 Anchors for Faucet Control Box Installation	6
G	#10 Anchors for Soap Tank Installation	6