



# LVSD2

## Verge® Wash Basin – LVS-Series

- Sophisticated design integrates a linear open concept with personal space
- Single piece molded design eliminates caulk lines and seams
- Standard system comes complete with mounting, access panel, drain assembly and plumbing connections
- Compatible with Verge™ deck-mounted soap dispensers and faucets

### Specifications

Accommodates one to two users. The units handle washroom traffic quickly and economically, while providing each user with personal space. The Verge® Wash Basin is designed with standard lavatory spacing positioned on 30" centers.

### Product Compliance

#### Listed by IAPMO R&T to

- Uniform Plumbing Code (UPC)
- National Plumbing Code of Canada
- International Plumbing Code (IPC)
- IGC 156 and the requirements of CSA B45.5/IAPMO Z124 and ASME A112.18.1/CSA B125.1



#### Complies with

- ADA
- ICC/ANSI 117.1
- TAS
- NSF/ANSI 372



#### Listed by UL Environment to

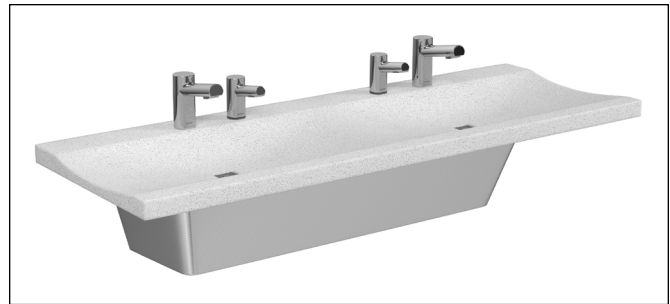
- GreenGuard Gold



- Serves the American Disabilities Act and ICC/ANSI 117.1 guidelines, citations 306, 308, 309.4, 606.4, 606.5 when installed according to these requirements. Consult local codes and standards.

### Accessibility

Accessibility Code	Rim Height (maximum)	Notes
ADA	33½" (851)	At least one basin must meet dimensional requirements and have proper reach, knee, and toe clearance.
ADA/JUV Juvenile ADA	30½" (775)	At least one basin must meet dimensional requirements and have proper reach, knee, and toe clearance.
CSA Canadian Standards Association	33½" (851)	
OBC Ontario Building Code	33" (838)	



### Construction

#### Basin

Evero® Geo Series is a natural quartz surface made from a blend of bio-based resin, natural quartz, granite and other exotic minerals. It is made of 25% recycled content.

Evero Pearl Series is a natural quartz surface made with bio-based resin, sea shells, recycled glass and natural quartz. It is made of 70% recycled content.

- Variations in the natural stone color, pattern, size, shape and shade are inherent. Due to these unique characteristics, please expect subtle shade variations when units are installed adjacent to each other.

#### Access Panel

Minimalistic panel is composed of decorative 300 series stainless steel. Water supplies, valves, waste assembly and other optional items are concealed within the panel. The panel requires only one person for installation and removal.

#### Support Bracket

Bracket design allows for flexible stud or wall blocking anchor locations. Eliminates the need for in-wall carriers. IAPMO certified to meet or exceed ANSI load requirements.

#### Faucet Options

Choose from our 0.35 gpm (1.30 Lpm) or 0.50 gpm (1.90 Lpm) Verge Faucet – Crestt, Metro, Linea, and Zen Series. 4" centerset and centershank faucet drillings are available for faucets by others. To maximize handwashing space and minimize splashing, Bradley recommends a faucet reach between 4" and 6". Dimension is measured from shank centerline to aerator centerline.

#### Soap Dispensers

Choose from our Verge Deck-Mounted Soap Dispensers – Crestt, Metro, Linea, or Zen Series. Dispensers can be arranged as personal soap (dispensers next to each faucet) or shared soap (dispensers in between faucets). See page 3 for drilling locations. Soap drillings available for soap by others.

#### Strainer and Drain Assembly System

Strainer and drain assembly system comes complete with plungable 300 series stainless steel strainers, tailpiece and polypropylene P-trap. Optional chrome-plated P-trap available.

- This plumbing fixture is designed for hand washing only. It is not Intended to dispense water for human consumption through drinking or for preparation of food or beverages.



# LVSD2

## Verge® Wash Basin – LVS-Series

<b>Models (Must select one)</b>	
<b>Model</b>	<b>Description</b>
LVSD2	Verge Wash Basin – LVS-Series, Two-Station
<b>Standard Selections (Must select one from each category)</b>	
<b>Faucet Type (select one)</b>	
<a href="#">S53-3100</a>	Verge Faucet – Crestt Series
<a href="#">S53-3300</a>	Verge Faucet – Metro Series
<a href="#">S53-3500</a>	Verge Faucet – Linea Series
<a href="#">S53-3700</a>	Verge Faucet – Zen Series
<b>4" Set</b>	4" Centerset (1¼" Drilling Only)
<b>SHANK</b>	Centershank (1¼" Drilling Only)
<b>Faucet Activation Type (select one)</b>	
<b>R</b>	Touch-Free Activation ◊
<b>NONE</b>	No Activation ▲
<b>Water Supply Type (select one)</b>	
<b>T</b>	Thermostatic Mixing Assembly (supply hoses and shut-offs included)
<b>L</b>	Single Tempered Line Assembly (supply hoses and shut-offs included)
<b>Flow Control Type △ (select one)</b>	
<b>3</b>	0.35 gpm (1.30 Lpm) Silicone Tip, Multiple Individual Laminar Flow Streams
<b>5</b>	0.50 gpm (1.90 Lpm) Silicone Tip, Multiple Individual Laminar Flow Streams
<b>Faucet Finish Type △ (select one)</b>	
<b>PC</b>	<input type="checkbox"/> Polished Chrome
<b>BB</b>	<input type="checkbox"/> Brushed Black Stainless
<b>BS</b>	<input type="checkbox"/> Brushed Stainless
<b>BZ</b>	<input type="checkbox"/> Brushed Bronze
<b>BR</b>	<input type="checkbox"/> Brushed Brass
<b>BN</b>	<input type="checkbox"/> Brushed Nickel
<i>Grid strainer will always have a stainless steel finish.</i>	
<b>Faucet Power Supply (select one)</b>	
<b>AC</b>	AC Power △ **
<b>BA</b>	Battery △ – 4x AA alkaline batteries included per faucet
<b>NONE</b>	No Power Supply ▲
<b>Soap Dispenser Type (select one)</b>	
<a href="#">6-3100</a>	Verge Deck-Mounted Soap Dispenser – Crestt Series △
<a href="#">6-3300</a>	Verge Deck-Mounted Soap Dispenser – Metro Series △
<a href="#">6-3500</a>	Verge Deck-Mounted Soap Dispenser – Linea Series △
<a href="#">6-3700</a>	Verge Deck-Mounted Soap Dispenser – Zen Series △
<b>SDO</b>	1-3/8" Soap Drilling Only
<b>NSD</b>	No Soap Dispenser/No Drilling
<b>Soap Location Type (select one)</b>	
<b>SSD</b>	Shared Soap Drilling – located in-between faucets (1 drilling)
<b>PSD</b>	Personal Soap Drilling – next to each faucet (2 drillings)
<i>NOTE: When selecting SSD, the soap dispenser is located above the elevated section of the basin. When selecting PSD, the right station soap dispenser is located to the left of the faucet. Refer to page 3 for soap drilling locations.</i>	

<b>Soap Activation Type (select one)</b>					
<b>R</b>	Touch-Free Activation ◊				
<b>NONE</b>	No Activation ◆				
<b>Soap Type ◊ (select one)</b>					
<b>F</b>	Foam Soap				
<b>L</b>	Liquid Soap				
<b>Soap Fill System ◊ (select one)</b>					
<b>T</b>	Single (top fill at spout)				
<b>Soap Dispenser Finish Type ◊ (select one)</b>					
<b>PC</b>	<input type="checkbox"/> Polished Chrome				
<b>BB</b>	<input type="checkbox"/> Brushed Black Stainless				
<b>BS</b>	<input type="checkbox"/> Brushed Stainless				
<b>BZ</b>	<input type="checkbox"/> Brushed Bronze				
<b>BR</b>	<input type="checkbox"/> Brushed Brass				
<b>BN</b>	<input type="checkbox"/> Brushed Nickel				
<b>Soap Power Supply (select one)</b>					
<b>AC</b>	AC Power ◊ **				
<b>BA</b>	Battery ◊ – 4x D-cell batteries included per dispenser				
<b>NONE</b>	No Power Supply ◆				
<b>Color of Evero® Basin (select one)</b>					
<i>Geo Series</i>					
<b>ANDORRA</b>	Andorra	<b>GLACIER</b>	Glacier Bay	<b>RAINIER</b>	Rainier
<b>ANTARCTICA</b>	Antarctica	<b>KALAHARI</b>	Kalahari	<b>SIENA</b>	Sienna
<b>ARUBA</b>	Aruba	<b>MOJAVE</b>	Mojave	<b>SIERRA</b>	Sierra Madre
<b>BLACK-SEA</b>	Black Sea	<b>MYKONOS</b>	Mykonos	<b>YUKON</b>	Yukon
<b>DENALI</b>	Denali	<b>PATAGONIA</b>	Patagonia		
<i>Pearl Series (available at an additional charge) (Non-cancelable, non-returnable)</i>					
<b>AKOYA</b>	Akoya	<b>BLACK-MOON</b>	Black Moon		
<b>Access Panel Type (select one)</b>					
<b>STAIN</b>	Stainless Steel				
<b>Waste Assembly Type (select one)</b>					
<b>IW-POLY</b>	Polypropylene (1 P-trap per station)				
<b>IW-CHROME</b>	Chrome-Plated (1 P-trap per station)				

\*\* AC power supply will include either individual AC plug-in adapter or 4-way AC splitter assembly depending on configuration.

△ Available with faucet selection only.

▲ Available with faucet drilling only.

◊ Available with soap dispenser selection only.

◆ Available with soap dispenser drilling only.

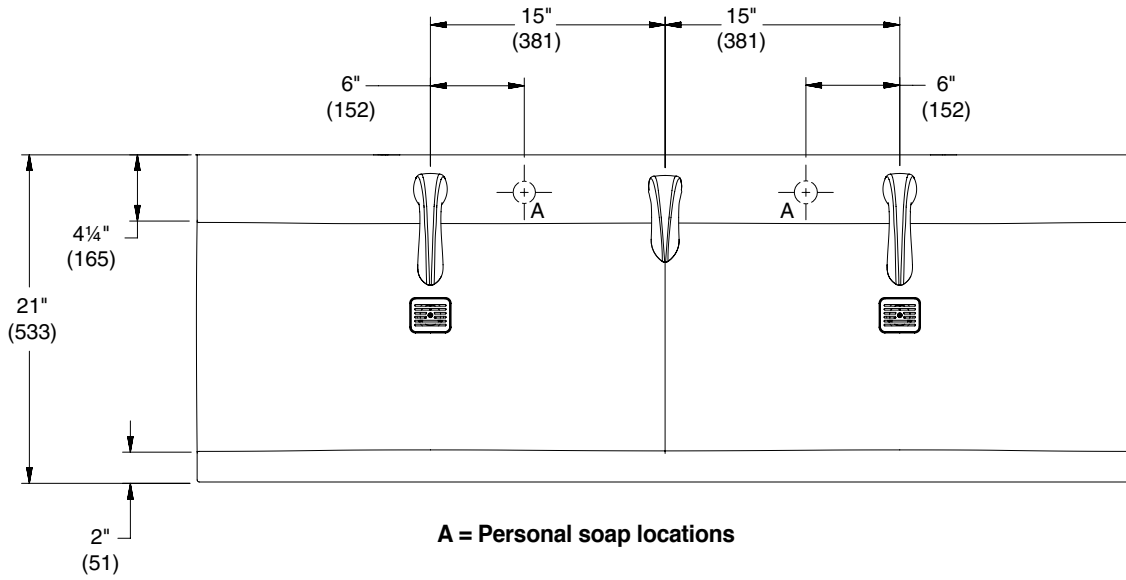


# LVSD2 Verge® Wash Basin – LVS-Series

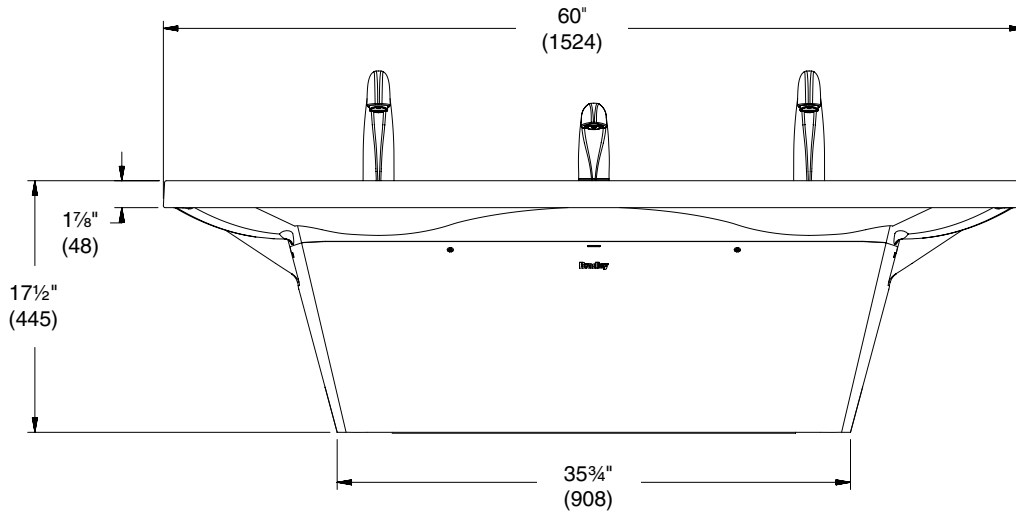
Dimensions for LVSD2 Verge Wash Basin (Shown with Crestt Series Faucet & Soap)

(mm)

## Top View



## Front View



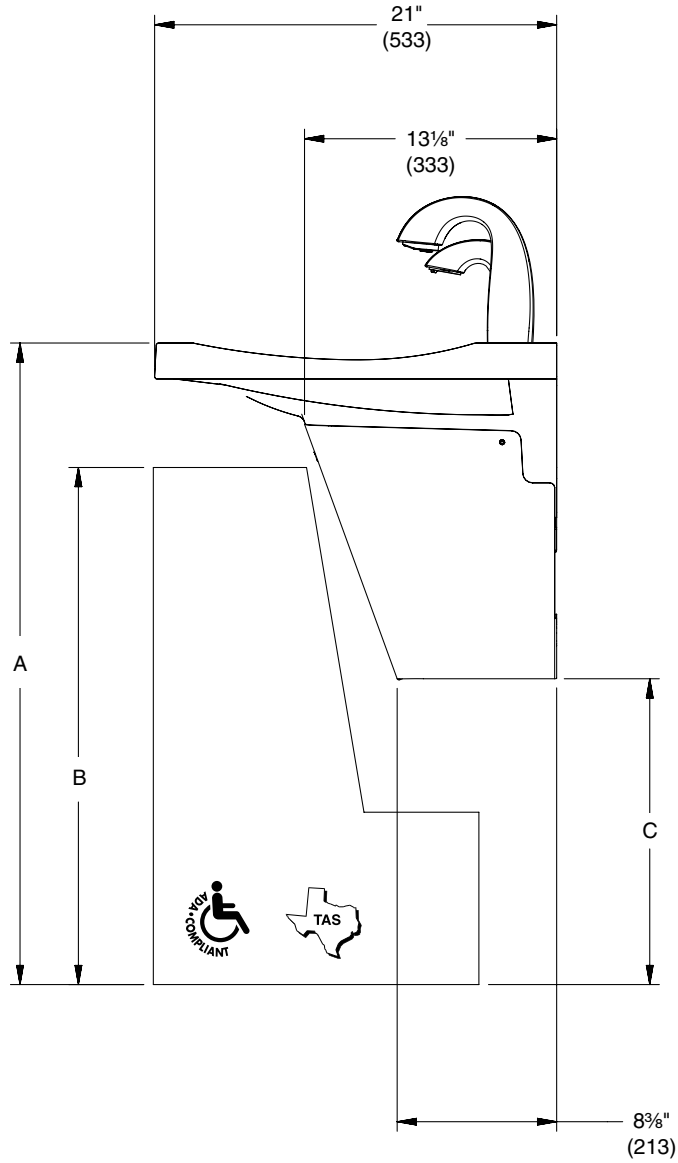


# LVSD2 Verge® Wash Basin – LVS-Series

Dimensions for LVSD2 Verge Wash Basin

(mm)

Side View



	ADA/TAS Standard Height	ADA/TAS Juvenile Height (Children 6-12 years)	CSA Standard Height	OBC Standard Height
Dim A	33½" (851)	30½" (787)	33½" (851)	33" (838)
Dim B	27" (686)	24" (610)	29⅞" (752)	28¹⁵⁄₁₆" (735)
Dim C	15¹⁵⁄₁₆" (405)	13⁷⁄₁₆" (341)	16⁵⁄₁₆" (414)	15⁷⁄₁₆" (391)



# LVSD2 Verge® Wash Basin – LVS-Series

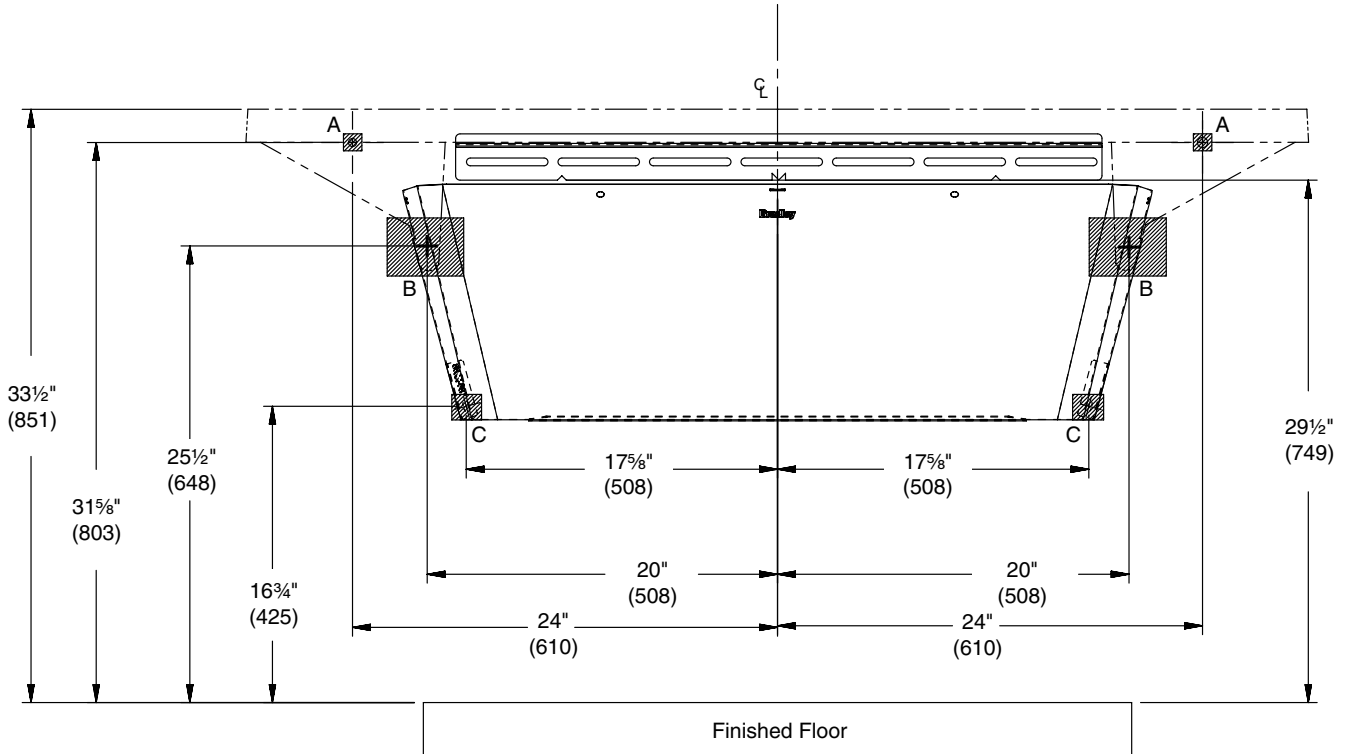
## Structural Rough-Ins for LVSD2 Verge Wash Basin

(mm)

**⚠ WARNING** Ensure bowl is completely seated in the wall bracket and securely fastened to the wall at point A.

Mounting for Standard, ADA and TAS height shown.

Points A, B and C require sufficient backing compliant with local building codes.



CODE	DESCRIPTION	QTY.
A	Install (1) 3/8" wall anchor with a minimum pull-out force of 1,000 lb per local codes at locations shown	2
B	Provide structural backing compliant with local building codes	2
C	Install wall anchor with a minimum pull-out force of 100 lb per local codes at locations shown	2

RIM HEIGHT	VERTICAL HEIGHT ADJUSTMENTS	FIXTURE STYLE
33 1/2"	No Adjustment	Standard Height, ADA, TAS and CSA
30 1/2"	Subtract 3"	Juvenile, ADA and TAS
33"	Subtract 1/2"	OBC



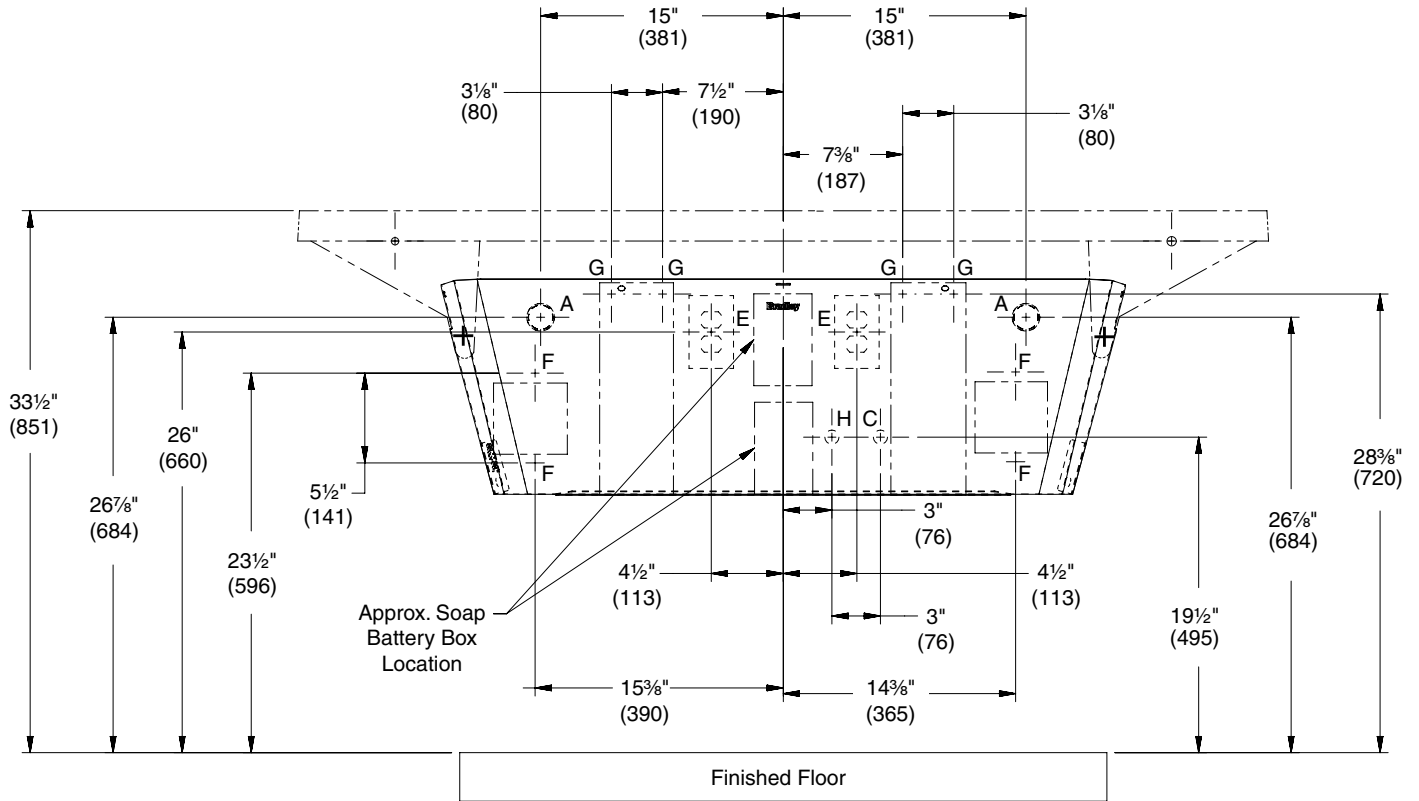
# LVSD2 Verge® Wash Basin – LVS-Series

Plumbing and Electrical Rough-Ins for LVSD2 Wash Basin - Personal Soap

(mm)



Mounting for Standard, ADA, and TAS height shown.



CODE	DESCRIPTION	QTY.
A	1-1/2" NPT Drain, Stub-out 2" from wall, <b>individual waste option</b>	2
H,C	1/2" Nominal (5/8" O.D. Comp.) Hot/Cold supplies, Stub-out 2" from wall	1
E	110V GFI protected electrical outlet (AC faucet and soap only)	2
F	#10 Anchors for Faucet Control Box Installation	4
G	#10 Anchors for Soap Tank Installation	2



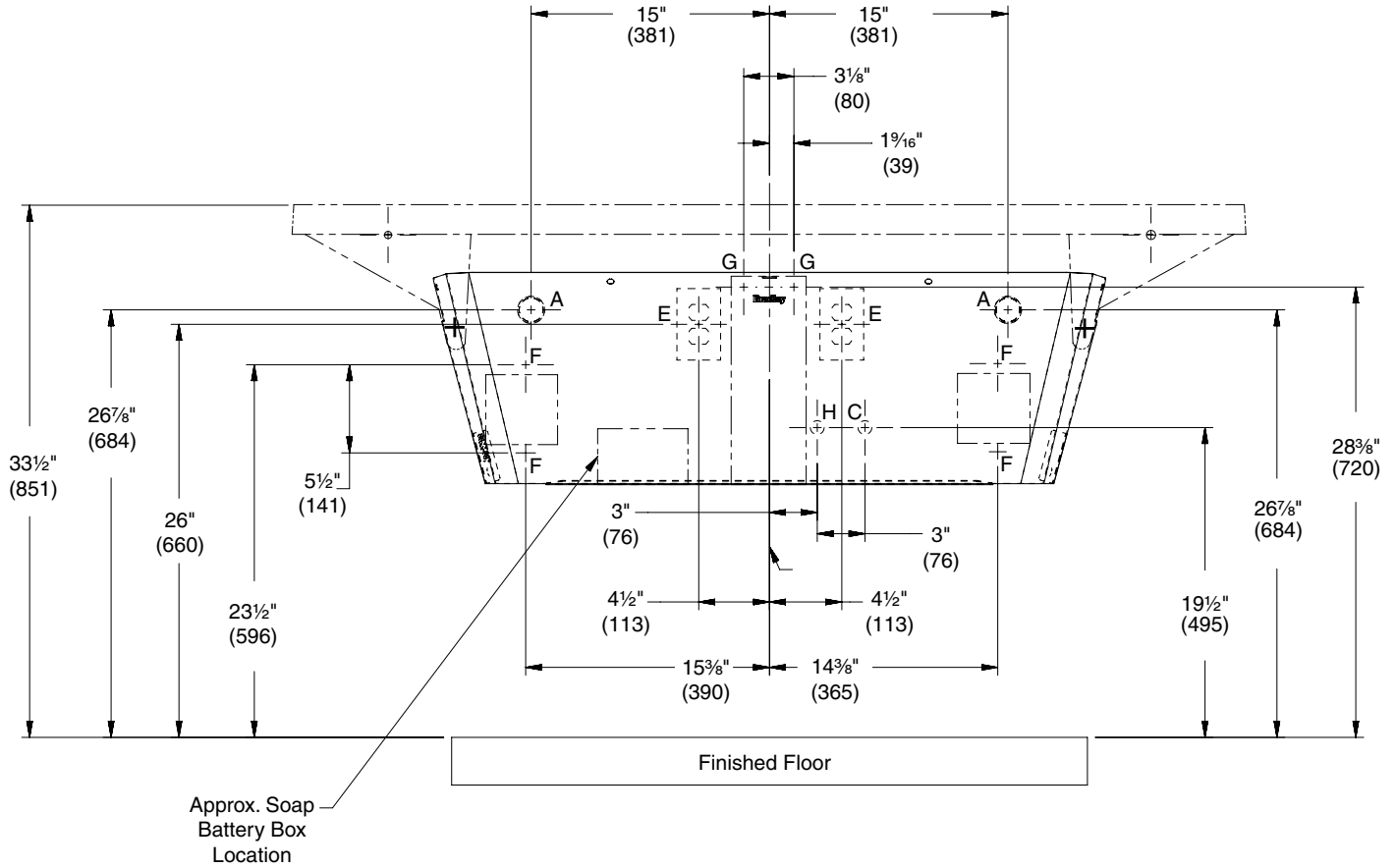
# LVSD2 Verge® Wash Basin – LVS-Series

Plumbing and Electrical Rough-Ins for LVSD2 Wash Basin - Shared Soap

(mm)



Mounting for Standard, ADA, and TAS height shown.



CODE	DESCRIPTION	QTY.
A	1-1/2" NPT Drain, Stub-out 2" from wall, <b>individual waste option</b>	2
H,C	1/2" Nominal (5/8" O.D. Comp.) Hot/Cold supplies, Stub-out 2" from wall	1
E	110V GFI protected electrical outlet (AC faucet and soap only)	2
F	#10 Anchors for Faucet Control Box Installation	4
G	#10 Anchors for Soap Tank Installation	4