



LVRD1 Verge® Wash Basin – LVR-Series

- ADA and TAS Compliant
- Serves One User at a Time
- Elongated Basin is Constructed of Evero® Natural Quartz Surface
- Select a Bradley Faucet or Faucet by Others
- Available in a variety of colors

Specifications

Accommodates one user. The units handle washroom traffic quickly and economically, while providing each user with personal space.

Construction

Basin

Evero Geo Series is a natural quartz surface made from a blend of bio-based resin, natural quartz, granite and other exotic minerals. It is made of 25% recycled content.

Evero Pearl Series is a natural quartz surface made with bio-based resin, sea shells, recycled glass and natural quartz. It is made of 70% recycled content.

- Variations in the natural stone color, pattern, size, shape and shade are inherent. Due to these unique characteristics, please expect subtle shade variations when units are installed adjacent to each other.

Access Panel

Panel is composed of decorative 300 series stainless steel.

Support Frame

Basin assembly and access panel are secured to a heavy gauge stainless steel support frame mounted to wall.

Vandal Resistance

Water supplies, valves, waste assembly and other optional items are concealed within the panel/frame.

Faucet Options

There are several hands-free faucet options available with the Verge Wash Basin. Choose from CAP-DCA, IR-DCD or IR-DCG. For more information on these standard faucet options and plug-in adapters, please enter the model number in the search box at www.bradleycorp.com. 4" Centerset and Centershank faucet hole drillings are available for faucets by others.

Code Compliance and Certifications

ANSI Standards

Evero Natural Quartz Surface meets the requirements of CSA B45.5/IAPMO Z124.

cUPC Approval

Verge Wash Basin is Uniform Plumbing Code (UPC), International Plumbing Code (IPC) and National Plumbing Code of Canada (NPC) approved through the International Association of Plumbing and Mechanical Officials (IAPMO). Manufactured in compliance with IGC 156, CSA B45 Series (R08) & ASME A112.18.1/CSA B125.1.

- This plumbing fixture is designed for hand washing only. It is not Intended to dispense water for human consumption through drinking or for preparation of food or beverages.

- Standard product selections contained within this document are third party **CERTIFIED** to NSF/ANSI 372 meeting the Lead-Free content requirement. Any product configured with custom options will be **COMPLIANT** with NSF/ANSI 372 meeting the Lead-Free content requirement.

Protected by one or more of the following U.S. Patents: D629,877 S; D640,778 S; and D649,232 S.

Page 1 of 4 4/20/2018
This information is subject to change without notice.
Bradley_Sink_Verge_LVRD1



Models (Must select one)

- | Model | Description |
|--------------------------------|---|
| <input type="checkbox"/> LVRD1 | Verge Wash Basin – LVRD-Series, One-Station |

Standard Selections (Must select one from each category)

Faucet Type (select one)

- | | | | |
|----------------------------------|---------------------------|---------------------------------|---|
| <input type="checkbox"/> IR-DCG | Infrared Faucet Battery | <input type="checkbox"/> 4" SET | 4" Centerset Drilling (1-1/4" Drillings Only) |
| <input type="checkbox"/> IR-DCD | Infrared Faucet Battery | <input type="checkbox"/> SHANK | Centershank Drilling (1-1/4" Drillings Only) |
| <input type="checkbox"/> CAP-DCA | Capacitive Faucet Battery | | |

Soap Dispenser Type (select one)

- | | |
|--------------------------------------|---|
| <input type="checkbox"/> 6324-68 | 32-oz. Plastic Globe, 4" Spout |
| <input type="checkbox"/> 6315-KT0000 | Battery IR Metering Soap Dispenser Kit (with batteries and 1,000-shot soap) |
| <input type="checkbox"/> 6334 | 16 oz. Plastic Globe, 3-1/2" Spout |
| <input type="checkbox"/> SDO | 1-1/4" Soap Drilling Only |
| <input type="checkbox"/> NSD | No Soap Dispenser/No Drilling |

Water Supply Type (select one)

- | | |
|-------------------------------|--|
| <input type="checkbox"/> TMA | Navigator® Thermostatic Mixing Assembly (Hot and Cold Supplies) w/Stops and Supply Hoses |
| <input type="checkbox"/> NONE | No Valve Option Selected (includes stops and supply hoses) |

Color of Evero® Basin (select one)

Geo Series

- | | | | | | |
|-------------------------------------|------------|-----------------------------------|-------------|------------------------------------|--------------|
| <input type="checkbox"/> ANDORRA | Andorra | <input type="checkbox"/> EVEREST | Everest | <input type="checkbox"/> MYKONOS | Mykonos |
| <input type="checkbox"/> ANTARCTICA | Antarctica | <input type="checkbox"/> GLACIER | Glacier Bay | <input type="checkbox"/> PATAGONIA | Patagonia |
| <input type="checkbox"/> BLACK-SEA | Black Sea | <input type="checkbox"/> KALAHARI | Kalahari | <input type="checkbox"/> SIERRA | Sierra Madre |
| <input type="checkbox"/> DENALI | Denali | <input type="checkbox"/> MOJAVE | Mojave | <input type="checkbox"/> YUKON | Yukon |

Pearl Series (available at an additional charge) (Non-cancelable, non-returnable)

- | | | | |
|--------------------------------|-------|-------------------------------------|------------|
| <input type="checkbox"/> AKOYA | Akoya | <input type="checkbox"/> BLACK-MOON | Black Moon |
|--------------------------------|-------|-------------------------------------|------------|

Access Panel Type (select one)

- | | |
|--------------------------------|-----------------|
| <input type="checkbox"/> STAIN | Stainless Steel |
|--------------------------------|-----------------|

Waste Assembly Type:

- | | |
|-----------------------------------|-------------------------------------|
| <input type="checkbox"/> S-POLY | Single Plastic Polypropylene P-Trap |
| <input type="checkbox"/> S-CHROME | Single Chrome-Plated P-Trap |

Optional Selections

Faucet Adapter Type:

- | | |
|-----------------------------|---|
| <input type="checkbox"/> PT | Plug-in adapter to convert battery operated CAP-DCA, IR-DCD or IR-DCG |
|-----------------------------|---|

Soap Adapter Type:

- | | |
|-----------------------------------|--|
| <input type="checkbox"/> P19-231F | Plug-in adapter - 6315 soap dispenser (must order as a separate line item) |
|-----------------------------------|--|

For more information on Evero Natural Quartz Surface, faucets, valves, transformers, and the soap dispensers, please visit bradleycorp.com.



© 2018 Bradley
P.O. Box 309, Menomonee Falls, WI 53052-0309
800 BRADLEY (800 272 3539) +1 262 251 6000
bradleycorp.com

Distributor/Wholesaler:

Date: 2/19/21

Project & Location:

Model Number:

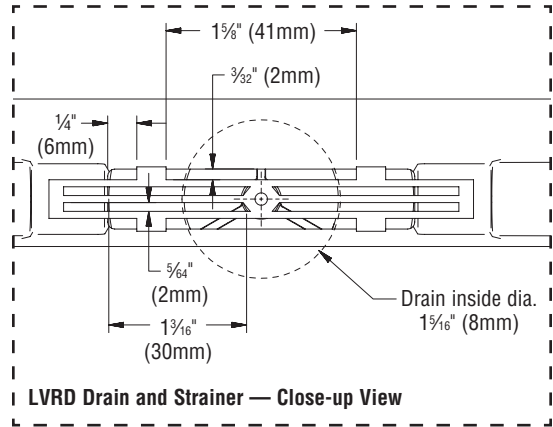
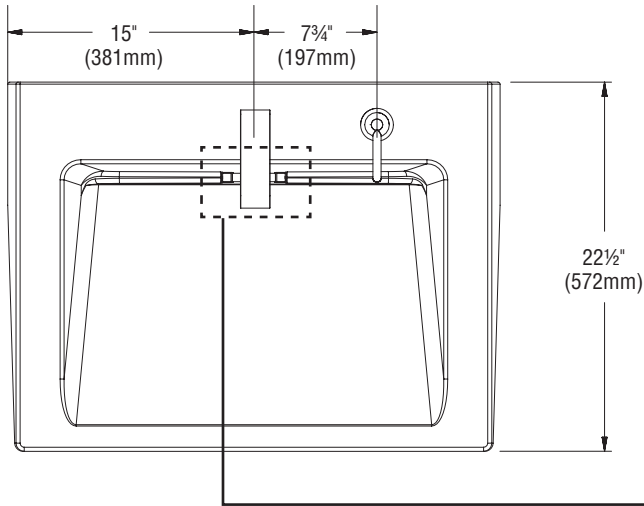
Qty:



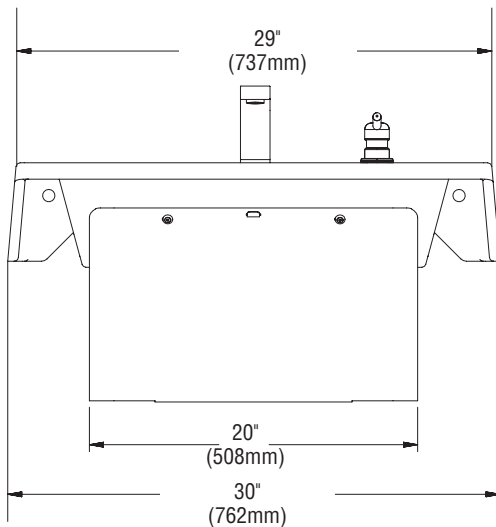
LVRD1 Verge® Wash Basin – LVR-Series

Dimensions for LVRD1 Verge Wash Basin

Top View



Front View

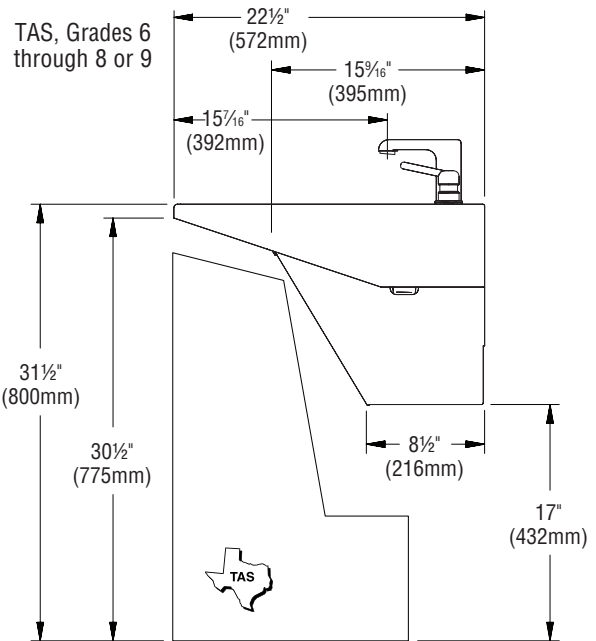
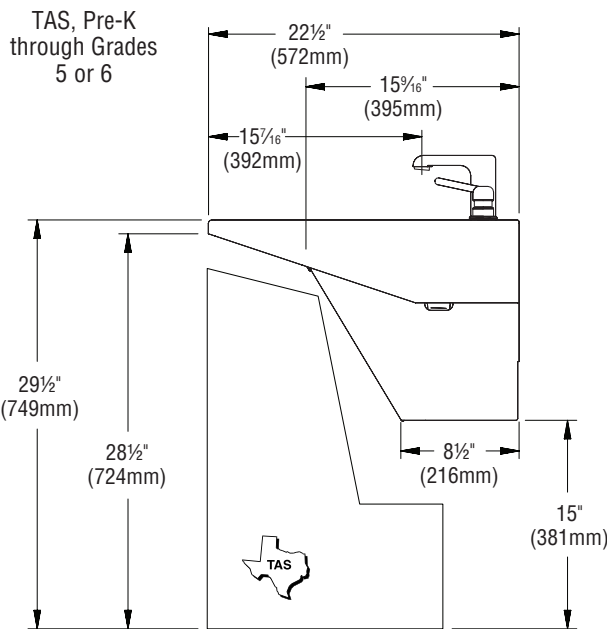
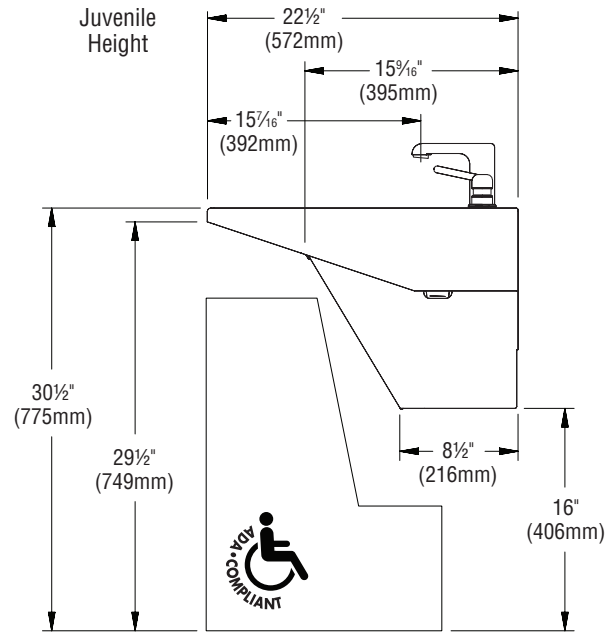
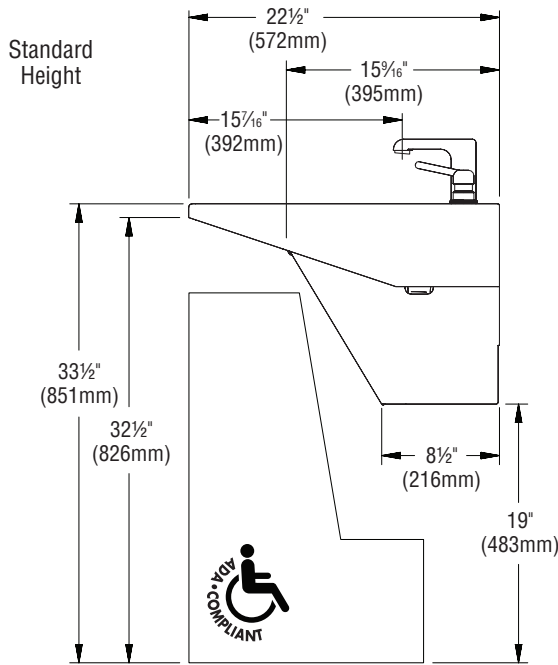


Distributor/Wholesaler:	Date: 2/19/21
Project & Location:	
Model Number:	Qty:



LVRD1 Verge® Wash Basin – LVR-Series

Dimensions for LVRD1 Verge Wash Basin



Distributor/Wholesaler:

Date: 2/19/21

Project & Location:

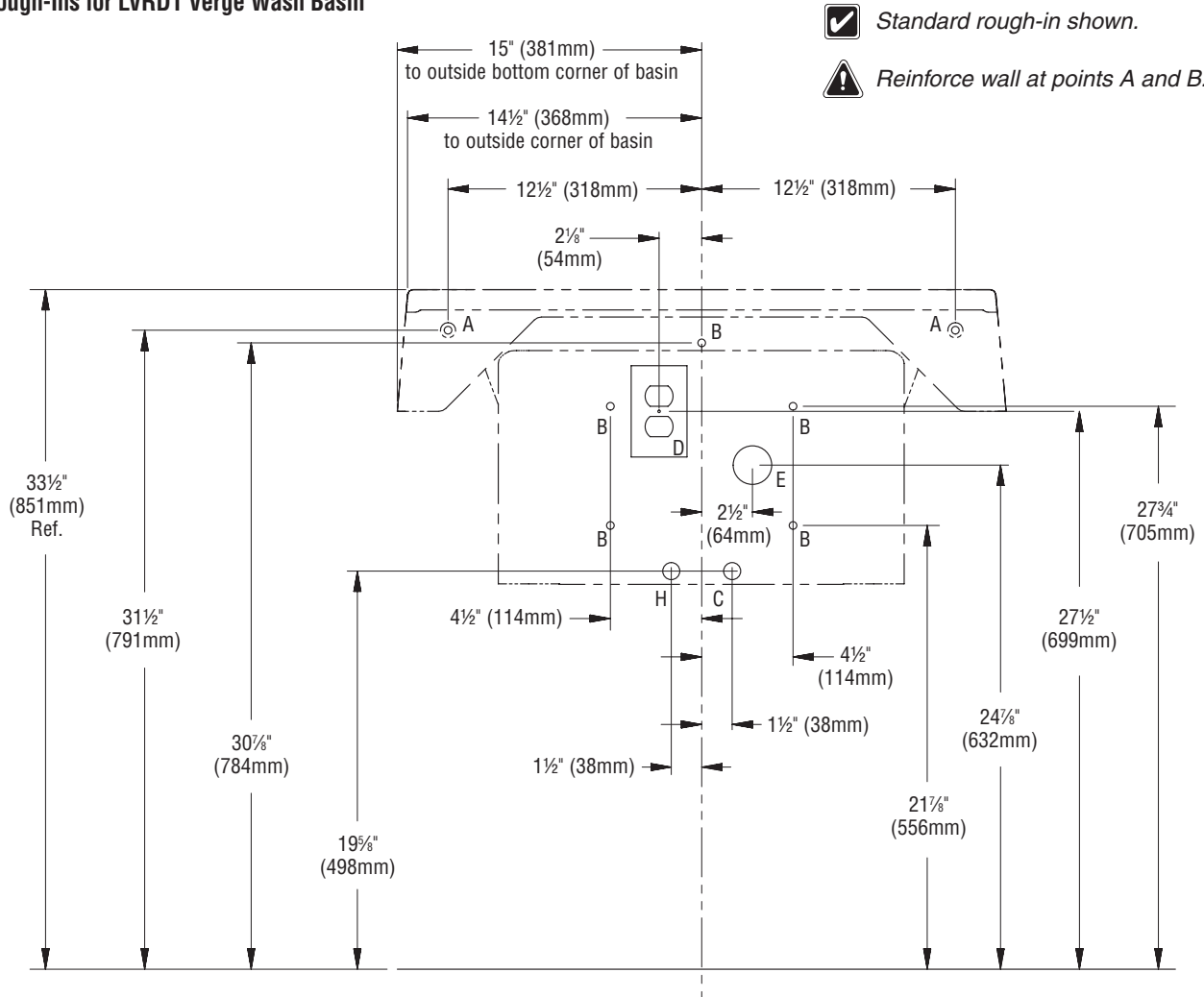
Model Number:

Qty:



LVRD1 Verge® Wash Basin – LVR-Series

Rough-Ins for LVRD1 Verge Wash Basin



Standard rough-in shown.

Reinforce wall at points A and B.

CODE	DESCRIPTION	QTY.
A	$\frac{3}{8}$ " Lav Deck Bowl Anchors with a Minimum Pull-Out Force of 1,000 lbs. (reinforce walls at anchor points)	2
B	$\frac{3}{8}$ " Lav Deck Frame Anchors with a Minimum Pull-Out Force of 1,000 lbs. (reinforce walls at anchor points)	5
H, C	$\frac{1}{2}$ " Hot/Cold Supplies, Stub-Out 2" From Wall	1
D	110v GFI Protected Electrical Outlet (AC faucet and soap only)	1
E	1 $\frac{1}{2}$ " NPT Drain, Stub-Out 2" from Wall	1
RIM HEIGHT	VERTICAL HEIGHT ADJUSTMENTS FOR CODES A-E and H	FIXTURE STYLE
33 $\frac{1}{2}$ "	None	Standard Height
31 $\frac{1}{2}$ "	Subtract 2"	TAS, Grades 6 through 8 or 9
29 $\frac{1}{2}$ "	Subtract 4"	TAS, Pre-K through Grades 5 or 6
30 $\frac{1}{2}$ "	Subtract 3"	Juvenile Height

Distributor/Wholesaler:	Date: 2/19/21
Project & Location:	
Model Number:	Qty:



LVGD1 Verge® Wash Basin – LVG-Series

- ADA and TAS Compliant
- Serves One User at a Time
- Elongated Basin is Constructed of Evero® Natural Quartz Surface
- Select a Bradley Faucet or Faucet by Others
- Available in a variety of colors

Specifications

Accommodates one user. The units handle washroom traffic quickly and economically, while providing each user with personal space.

Construction

Basin

Evero Geo Series is a natural quartz surface made from a blend of bio-based resin, natural quartz, granite and other exotic minerals. It is made of 25% recycled content.

Evero Pearl Series is a natural quartz surface made with bio-based resin, sea shells, recycled glass and natural quartz. It is made of 70% recycled content.



Variations in the natural stone color, pattern, size, shape and shade are inherent. Due to these unique characteristics, please expect subtle shade variations when units are installed adjacent to each other.

Access Panel

Panel is composed of decorative 300 series stainless steel.

Support Frame

Basin assembly and access panel are secured to a heavy gauge stainless steel support frame mounted to wall.

Vandal Resistance

Water supplies, valves, waste assembly and other optional items are concealed within the access panel/frame.

Faucet Options

There are several hands-free faucet options available with the Verge Wash Basin. Choose from CAP-DCA, IR-DCD or IR-DCG. For more information on these standard faucet options and plug-in adapters, please enter the model number in the search box at www.bradleycorp.com. 4" Centerset and Centershank faucet hole drillings are available for faucets by others.

Code Compliance and Certifications

ANSI Standards

Evero Natural Quartz Surface meets the requirements of CSA B45.5/IAPMO Z124.

cUPC Approval

Verge Wash Basin is Uniform Plumbing Code (UPC), International Plumbing Code (IPC) and National Plumbing Code of Canada (NPC) approved through the International Association of Plumbing and Mechanical Officials (IAPMO). Manufactured in compliance with IGC 156, CSA B45 Series (R08) & ASME A112.18.1/CSA B125.1.



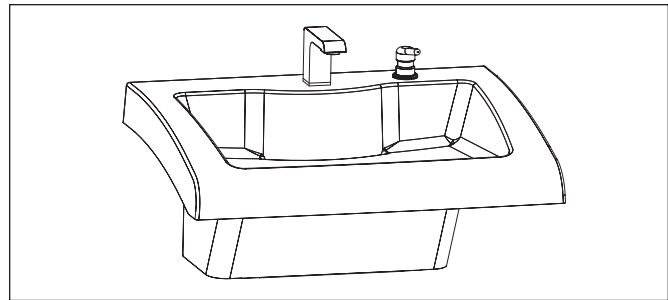
This plumbing fixture is designed for hand washing only. It is not intended to dispense water for human consumption through drinking or for preparation of food or beverages.



Standard product selections contained within this document are third party **CERTIFIED** to NSF/ANSI 372 meeting the Lead-Free content requirement. Any product configured with custom options will be **COMPLIANT** with NSF/ANSI 372 meeting the Lead-Free content requirement.

Protected by one or more of the following U.S. Patents:
D625,792 S; D633,992 S; and D642,664 S.

Page 1 of 4
4/19/2018
This information is subject to change without notice.
Bradley_Sink_Verge_LVGD1



Models (Must select one)

Model	Description
<input type="checkbox"/> LVGD1	Verge Wash Basin – LVGD-Series, One-Station

Standard Selections (Must select one from each category)

Faucet Type (select one)

<input type="checkbox"/> IR-DCG	Infrared Faucet Battery	<input type="checkbox"/> 4" SET	4" Centerset Drilling (1-1/4" Drillings Only)
<input type="checkbox"/> IR-DCD	Infrared Faucet Battery	<input type="checkbox"/> SHANK	Centershank Drilling (1-1/4" Drillings Only)
<input type="checkbox"/> CAP-DCA	Capacitive Faucet Battery		

Soap Dispenser Type (select one)

<input type="checkbox"/> 6324-68	32-oz. Plastic Globe, 4" Spout
<input type="checkbox"/> 6315-KT0000	Battery IR Metering Soap Dispenser Kit (with batteries and 1,000-shot soap)
<input type="checkbox"/> 6334	16 oz. Plastic Globe, 3-1/2" Spout
<input type="checkbox"/> SD0	1-1/4" Soap Drilling Only
<input type="checkbox"/> NSD	No Soap Dispenser, No Drilling

Water Supply Type (select one)

<input type="checkbox"/> TMA	Navigator® Thermostatic Mixing Assembly (Hot and Cold Supplies) w/Stops and Supply Hoses
<input type="checkbox"/> NONE	No Valve Option Selected (includes stops and supply hoses)

Color of Evero® Basin (select one)

Geo Series

<input type="checkbox"/> ANDORRA	Andorra	<input type="checkbox"/> EVEREST	Everest	<input type="checkbox"/> MYKONOS	Mykonos
<input type="checkbox"/> ANTARCTICA	Antarctica	<input type="checkbox"/> GLACIER	Glacier Bay	<input type="checkbox"/> PATAGONIA	Patagonia
<input type="checkbox"/> BLACK-SEA	Black Sea	<input type="checkbox"/> KALAHARI	Kalahari	<input type="checkbox"/> SIERRA	Sierra Madre
<input type="checkbox"/> DENALI	Denali	<input type="checkbox"/> MOJAVE	Mojave	<input type="checkbox"/> YUKON	Yukon

Pearl Series (available at an additional charge) (non-cancelable, non-returnable)

<input type="checkbox"/> AKOYA	Akoya	<input type="checkbox"/> BLACK-MOON	Black Moon
--------------------------------	-------	-------------------------------------	------------

Access Panel Type (select one)

<input type="checkbox"/> STAIN	Stainless Steel
--------------------------------	-----------------

Waste Assembly Type:

<input type="checkbox"/> S-POLY	Single Plastic Polypropylene P-Trap
<input type="checkbox"/> S-CHROME	Single Chrome-Plated P-Trap

Optional Selections

Faucet Adapter Type:

<input type="checkbox"/> PT	Plug-in adapter to convert battery operated CAP-DCA, IR-DCD or IR-DCG
-----------------------------	---

Soap Adapter Type:

<input type="checkbox"/> P19-231F	Plug-in adapter - 6315 soap dispenser (must order as a separate line item)
-----------------------------------	--

For more information on Evero Natural Quartz Surface, faucets, valves, transformers, and the soap dispensers, please visit bradleycorp.com.



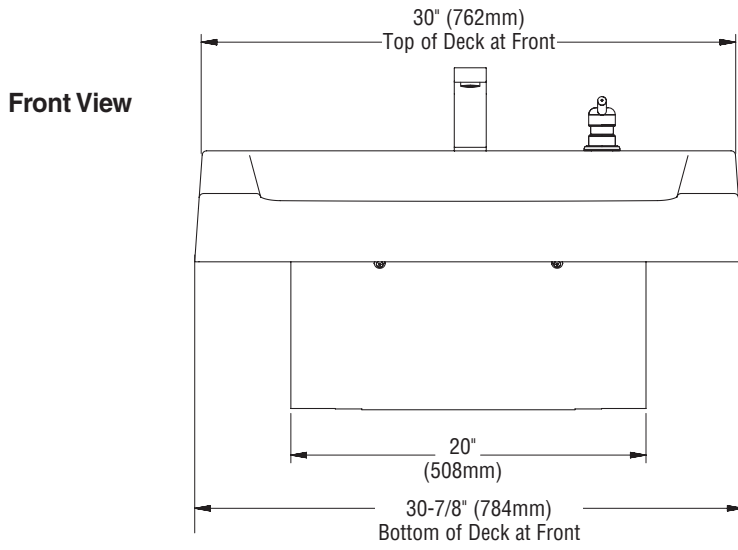
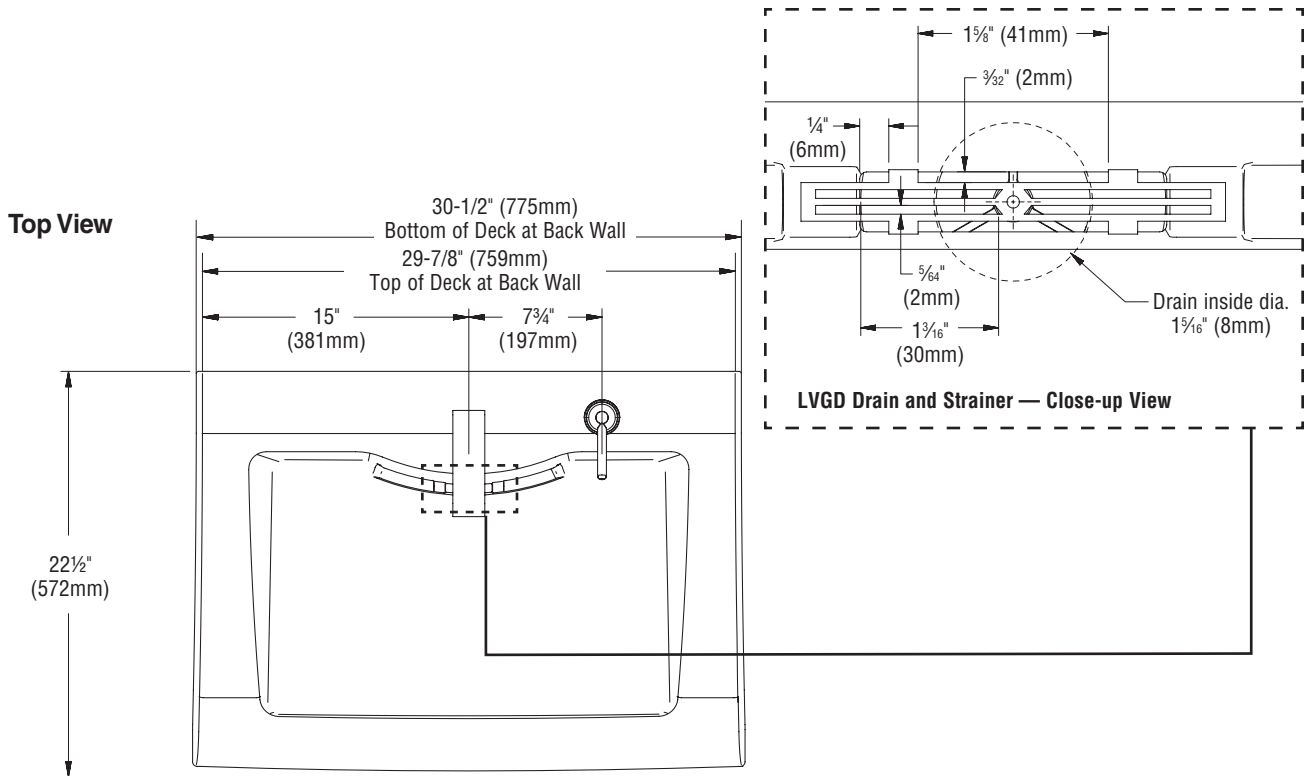
© 2018 Bradley
P.O. Box 309, Menomonee Falls, WI 53052-0309
800 BRADLEY (800 272 3539) +1 262 251 6000
bradleycorp.com

Distributor/Wholesaler:	Date: 2/19/21
Project & Location:	
Model Number:	Qty:



LVGD1 Verge® Wash Basin – LVG-Series

Dimensions for LVGD1 Verge Wash Basin

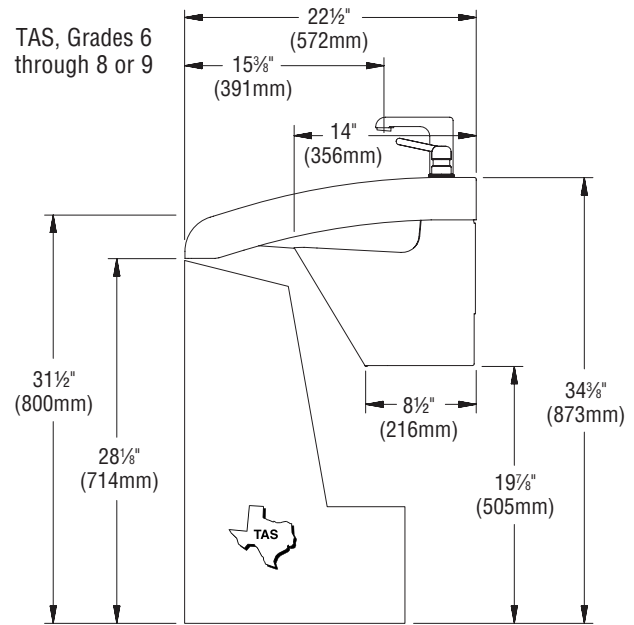
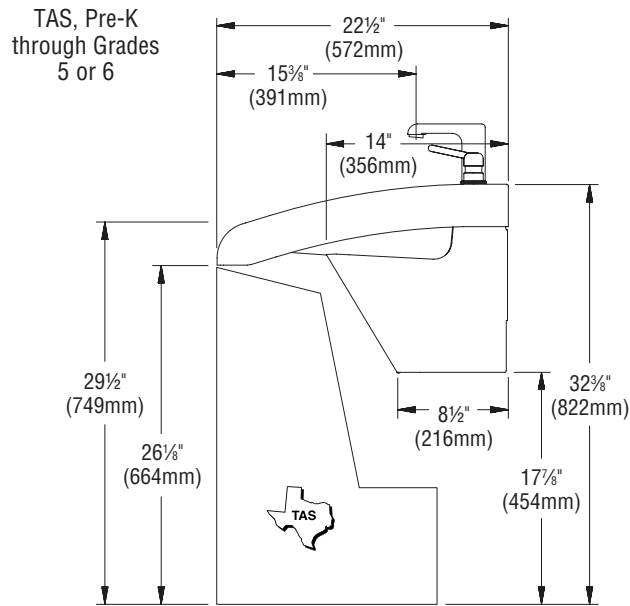
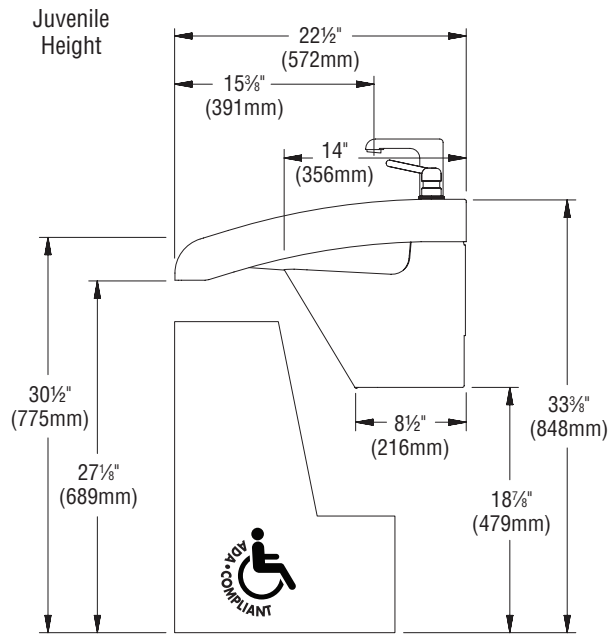
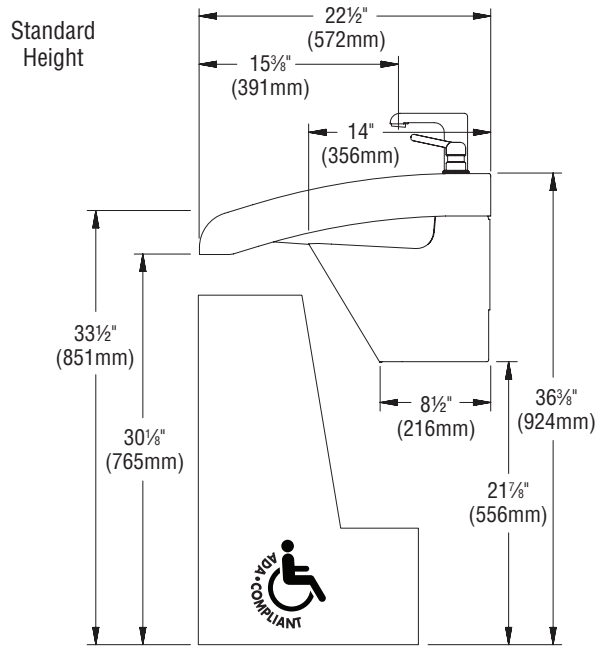


Distributor/Wholesaler:	Date: 2/19/21
Project & Location:	
Model Number:	Qty:



LVGD1 Verge® Wash Basin – LVG-Series

Dimensions for LVGD1 Verge Wash Basin



Distributor/Wholesaler:

Date: 2/19/21

Project & Location:

Model Number:

Qty:

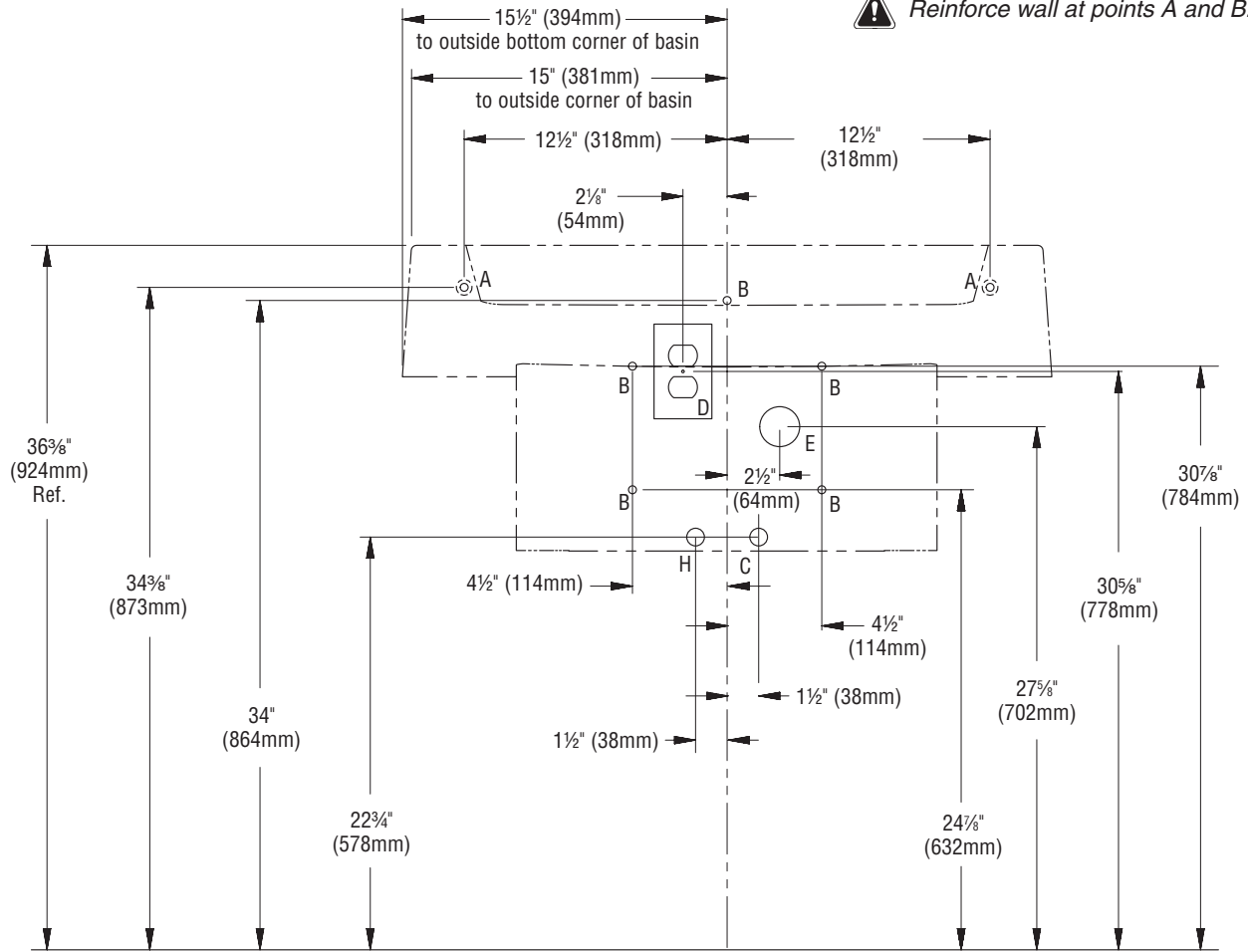


LVGD1 Verge® Wash Basin – LVG-Series

Rough-Ins for LVGD1 Verge Wash Basin

Standard rough-in shown.

Reinforce wall at points A and B.



CODE	DESCRIPTION	QTY.
A	3/8" Lav Deck Bowl Anchors with a Minimum Pull-Out Force of 1,000 lbs. (reinforce walls at anchor points)	2
B	3/8" Lav Deck Frame Anchors with a Minimum Pull-Out Force of 1,000 lbs. (reinforce walls at anchor points)	5
H, C	1/2" Hot/Cold Supplies, Stub-Out 2" From Wall	1
D	110v GFI Protected Electrical Outlet (AC faucet and soap only)	1
E	1 1/2" NPT Drain, Stub-Out 2" from Wall	1
RIM HEIGHT	VERTICAL HEIGHT ADJUSTMENTS FOR CODES A-E and H	FIXTURE STYLE
33 1/2"	None	Standard Height
31 1/2"	Subtract 2"	TAS, Grades 6 through 8 or 9
29 1/2"	Subtract 4"	TAS, Pre-K through Grades 5 or 6
30 1/2"	Subtract 3"	Juvenile Height

Distributor/Wholesaler:	Date: 2/19/21
Project & Location:	
Model Number:	Qty:



LVGD1 Verge® Wash Basin – LVG-Series

- ADA and TAS Compliant
- Serves One User at a Time
- Elongated Basin is Constructed of Evero® Natural Quartz Surface
- Select a Bradley Faucet or Faucet by Others
- Available in a variety of colors

Specifications

Accommodates one user. The units handle washroom traffic quickly and economically, while providing each user with personal space.

Construction

Basin

Evero Geo Series is a natural quartz surface made from a blend of bio-based resin, natural quartz, granite and other exotic minerals. It is made of 25% recycled content.

Evero Pearl Series is a natural quartz surface made with bio-based resin, sea shells, recycled glass and natural quartz. It is made of 70% recycled content.

- Variations in the natural stone color, pattern, size, shape and shade are inherent. Due to these unique characteristics, please expect subtle shade variations when units are installed adjacent to each other.

Access Panel

Panel is composed of decorative 300 series stainless steel.

Support Frame

Basin assembly and access panel are secured to a heavy gauge stainless steel support frame mounted to wall.

Vandal Resistance

Water supplies, valves, waste assembly and other optional items are concealed within the access panel/frame.

Faucet Options

There are several hands-free faucet options available with the Verge Wash Basin. Choose from CAP-DCA, IR-DCD or IR-DCG. For more information on these standard faucet options and plug-in adapters, please enter the model number in the search box at www.bradleycorp.com. 4" Centerset and Centershank faucet hole drillings are available for faucets by others.

Code Compliance and Certifications

ANSI Standards

Evero Natural Quartz Surface meets the requirements of CSA B45.5/IAPMO Z124.

cUPC Approval

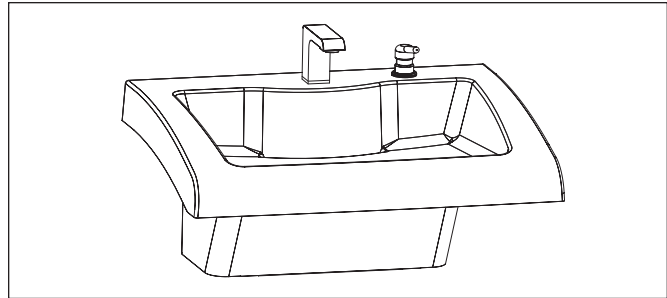
Verge Wash Basin is Uniform Plumbing Code (UPC), International Plumbing Code (IPC) and National Plumbing Code of Canada (NPC) approved through the International Association of Plumbing and Mechanical Officials (IAPMO). Manufactured in compliance with IGC 156, CSA B45 Series (R08) & ASME A112.18.1/CSA B125.1.

- This plumbing fixture is designed for hand washing only. It is not intended to dispense water for human consumption through drinking or for preparation of food or beverages.

- Standard product selections contained within this document are third party **CERTIFIED** to NSF/ANSI 372 meeting the Lead-Free content requirement. Any product configured with custom options will be **COMPLIANT** with NSF/ANSI 372 meeting the Lead-Free content requirement.

Protected by one or more of the following U.S. Patents:
D625,792 S; D633,992 S; and D642,664 S.

Page 1 of 4
4/19/2018
This information is subject to change without notice.
Bradley_Sink_Verge_LVGD1



Models (Must select one)

- | Model | Description |
|--------------------------------|---|
| <input type="checkbox"/> LVGD1 | Verge Wash Basin – LVGD-Series, One-Station |

Standard Selections (Must select one from each category)

Faucet Type (select one)

- | | | | |
|----------------------------------|---------------------------|---------------------------------|---|
| <input type="checkbox"/> IR-DCG | Infrared Faucet Battery | <input type="checkbox"/> 4" SET | 4" Centerset Drilling (1-1/4" Drillings Only) |
| <input type="checkbox"/> IR-DCD | Infrared Faucet Battery | <input type="checkbox"/> SHANK | Centershank Drilling (1-1/4" Drillings Only) |
| <input type="checkbox"/> CAP-DCA | Capacitive Faucet Battery | | |

Soap Dispenser Type (select one)

- | | |
|--------------------------------------|---|
| <input type="checkbox"/> 6324-68 | 32-oz. Plastic Globe, 4" Spout |
| <input type="checkbox"/> 6315-KT0000 | Battery IR Metering Soap Dispenser Kit (with batteries and 1,000-shot soap) |
| <input type="checkbox"/> 6334 | 16 oz. Plastic Globe, 3-1/2" Spout |
| <input type="checkbox"/> SD0 | 1-1/4" Soap Drilling Only |
| <input type="checkbox"/> NSD | No Soap Dispenser, No Drilling |

Water Supply Type (select one)

- | | |
|-------------------------------|--|
| <input type="checkbox"/> TMA | Navigator® Thermostatic Mixing Assembly (Hot and Cold Supplies) w/Stops and Supply Hoses |
| <input type="checkbox"/> NONE | No Valve Option Selected (includes stops and supply hoses) |

Color of Evero® Basin (select one)

Geo Series

- | | | | | | |
|-------------------------------------|------------|-----------------------------------|-------------|------------------------------------|--------------|
| <input type="checkbox"/> ANDORRA | Andorra | <input type="checkbox"/> EVEREST | Everest | <input type="checkbox"/> MYKONOS | Mykonos |
| <input type="checkbox"/> ANTARCTICA | Antarctica | <input type="checkbox"/> GLACIER | Glacier Bay | <input type="checkbox"/> PATAGONIA | Patagonia |
| <input type="checkbox"/> BLACK-SEA | Black Sea | <input type="checkbox"/> KALAHARI | Kalahari | <input type="checkbox"/> SIERRA | Sierra Madre |
| <input type="checkbox"/> DENALI | Denali | <input type="checkbox"/> MOJAVE | Mojave | <input type="checkbox"/> YUKON | Yukon |

Pearl Series (available at an additional charge) (non-cancelable, non-returnable)

- | | | | |
|--------------------------------|-------|-------------------------------------|------------|
| <input type="checkbox"/> AKOYA | Akoya | <input type="checkbox"/> BLACK-MOON | Black Moon |
|--------------------------------|-------|-------------------------------------|------------|

Access Panel Type (select one)

- | | |
|--------------------------------|-----------------|
| <input type="checkbox"/> STAIN | Stainless Steel |
|--------------------------------|-----------------|

Waste Assembly Type:

- | | |
|-----------------------------------|-------------------------------------|
| <input type="checkbox"/> S-POLY | Single Plastic Polypropylene P-Trap |
| <input type="checkbox"/> S-CHROME | Single Chrome-Plated P-Trap |

Optional Selections

Faucet Adapter Type:

- | | |
|-----------------------------|---|
| <input type="checkbox"/> PT | Plug-in adapter to convert battery operated CAP-DCA, IR-DCD or IR-DCG |
|-----------------------------|---|

Soap Adapter Type:

- | | |
|-----------------------------------|--|
| <input type="checkbox"/> P19-231F | Plug-in adapter - 6315 soap dispenser (must order as a separate line item) |
|-----------------------------------|--|

For more information on Evero Natural Quartz Surface, faucets, valves, transformers, and the soap dispensers, please visit bradleycorp.com.



© 2018 Bradley
P.O. Box 309, Menomonee Falls, WI 53052-0309
800 BRADLEY (800 272 3539) +1 262 251 6000
bradleycorp.com

Distributor/Wholesaler:

Date: 2/19/21

Project & Location:

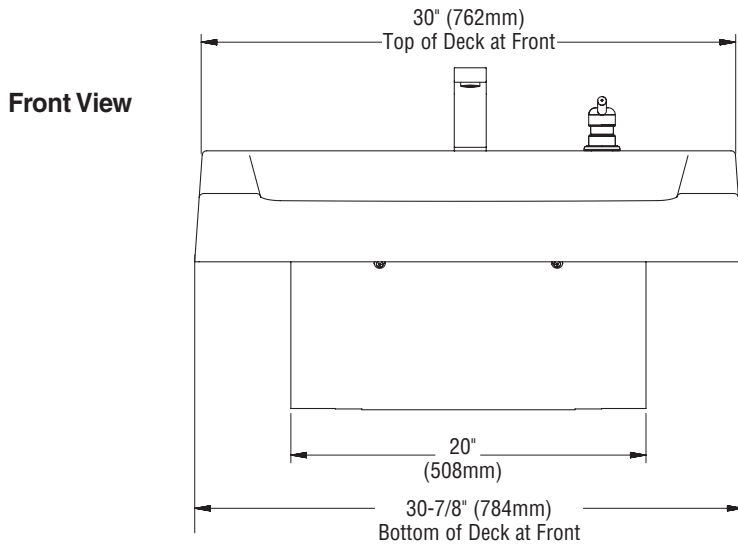
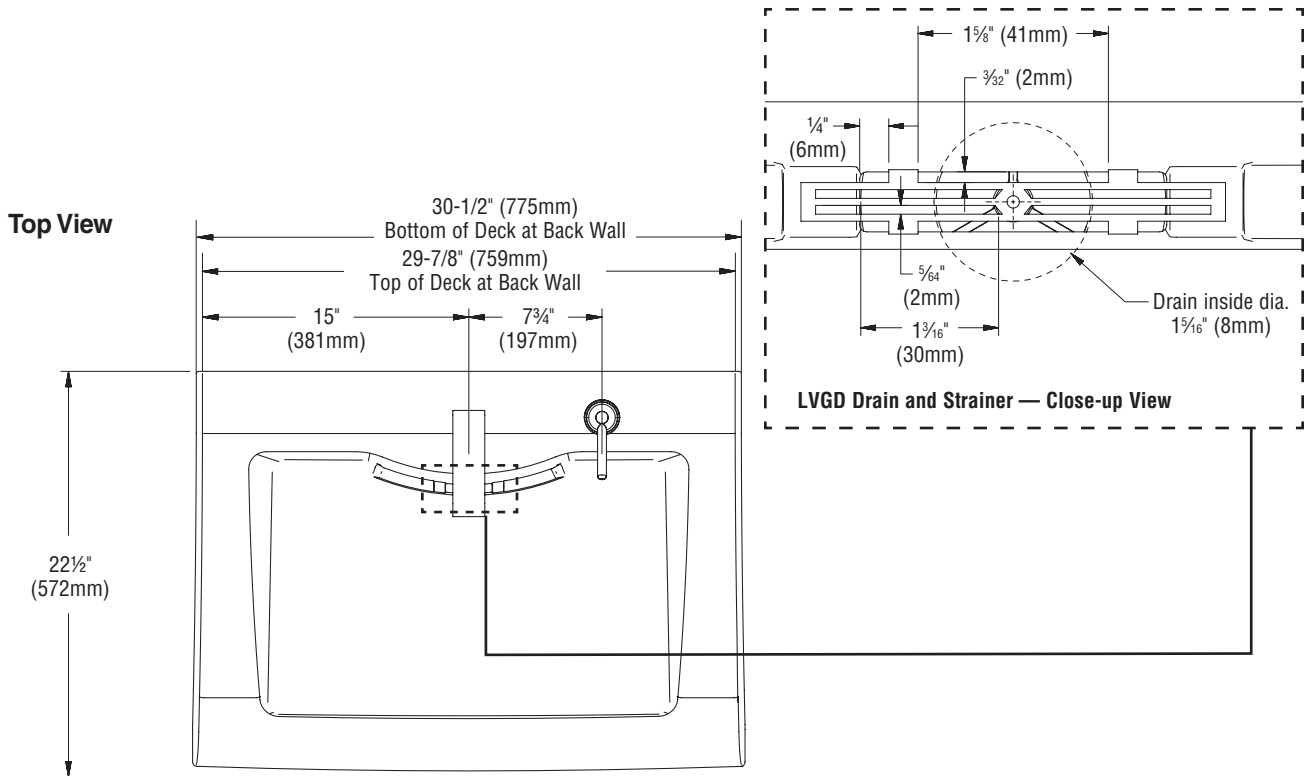
Model Number:

Qty:



LVGD1 Verge® Wash Basin – LVG-Series

Dimensions for LVGD1 Verge Wash Basin

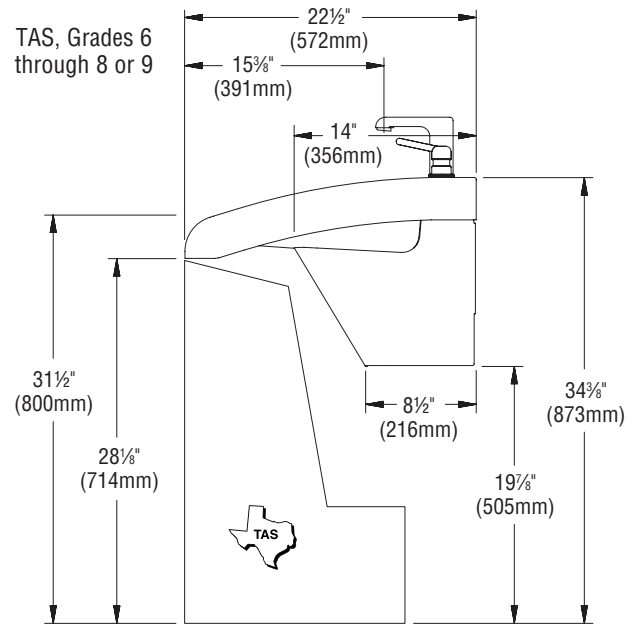
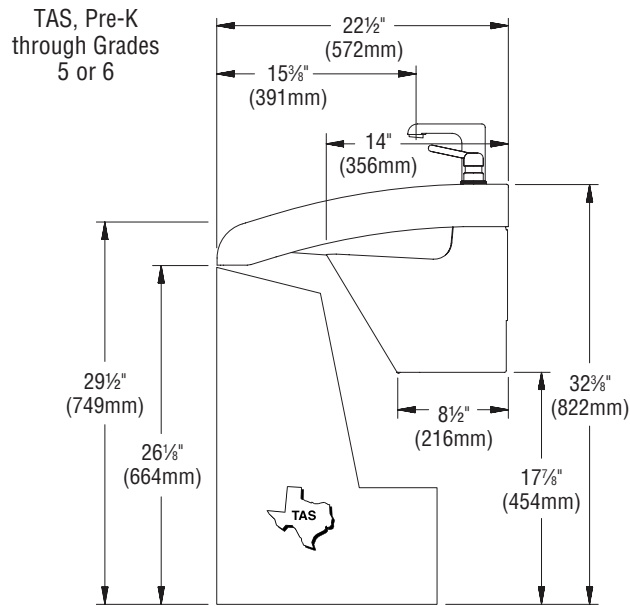
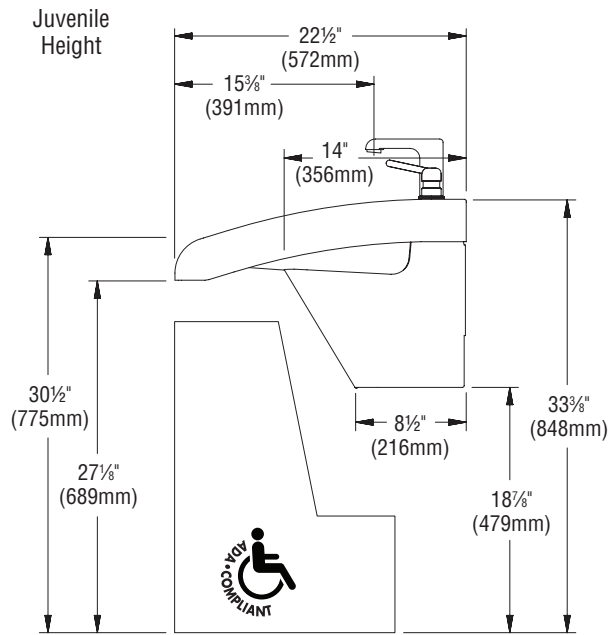
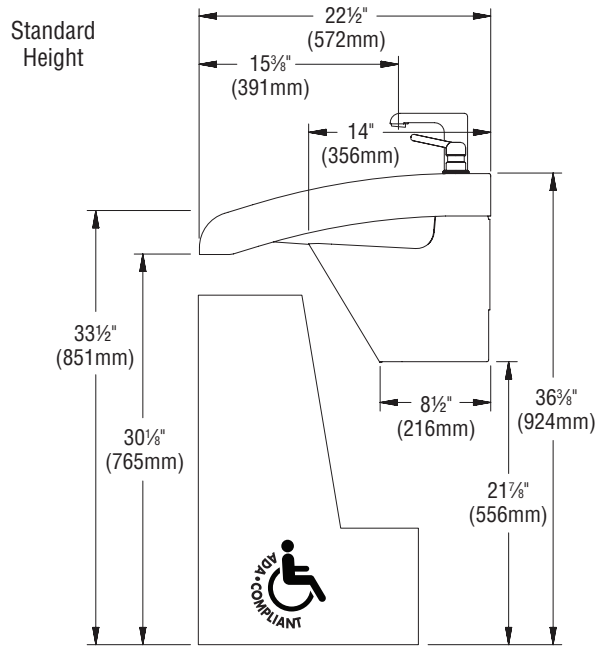


Distributor/Wholesaler:	Date: 2/19/21
Project & Location:	
Model Number:	Qty:



LVGD1 Verge® Wash Basin – LVG-Series

Dimensions for LVGD1 Verge Wash Basin



Distributor/Wholesaler:

Date: 2/19/21

Project & Location:

Model Number:

Qty:

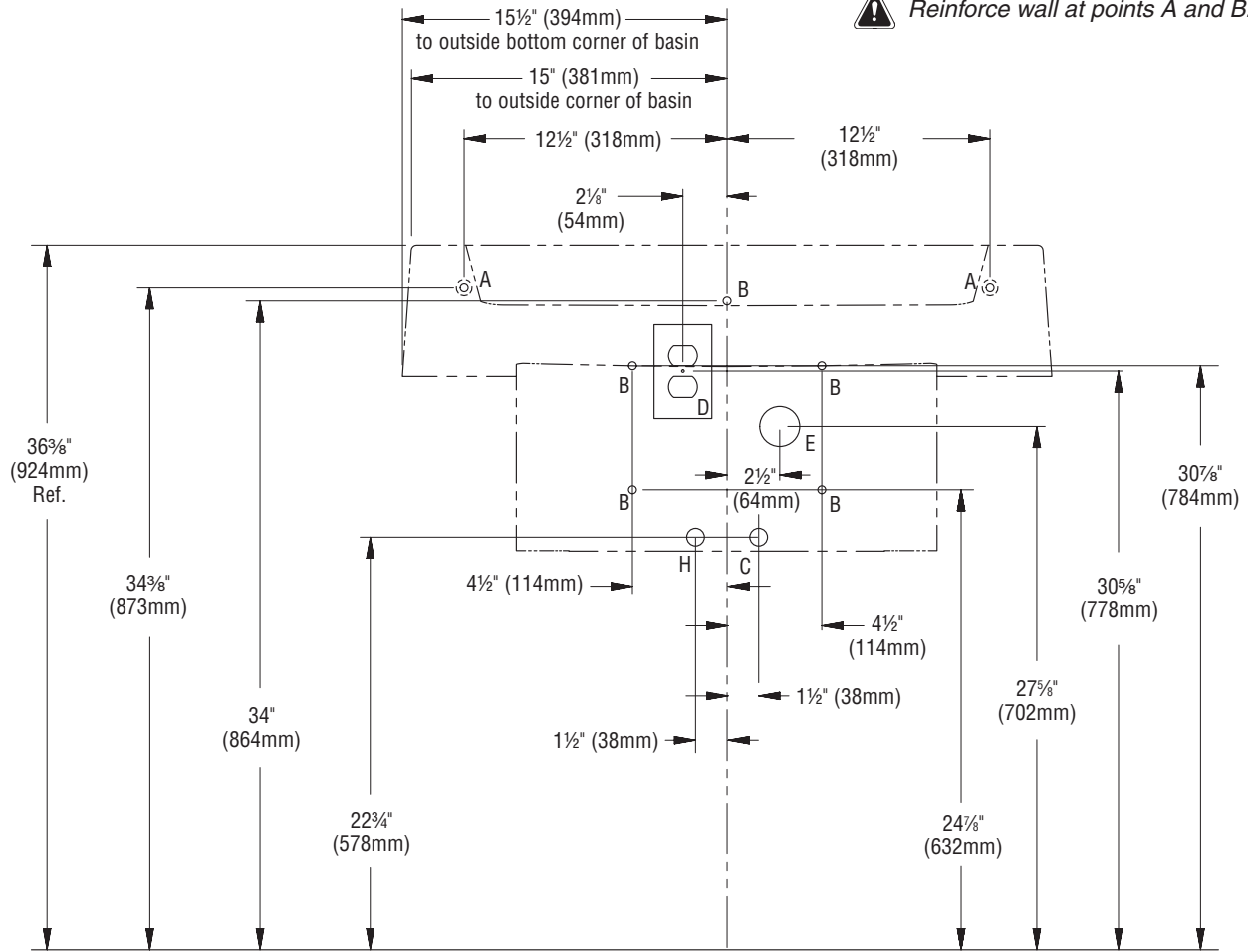


LVGD1 Verge® Wash Basin – LVG-Series

Rough-Ins for LVGD1 Verge Wash Basin

Standard rough-in shown.

Reinforce wall at points A and B.



CODE	DESCRIPTION	QTY.
A	3/8" Lav Deck Bowl Anchors with a Minimum Pull-Out Force of 1,000 lbs. (reinforce walls at anchor points)	2
B	3/8" Lav Deck Frame Anchors with a Minimum Pull-Out Force of 1,000 lbs. (reinforce walls at anchor points)	5
H, C	1/2" Hot/Cold Supplies, Stub-Out 2" From Wall	1
D	110v GFI Protected Electrical Outlet (AC faucet and soap only)	1
E	1 1/2" NPT Drain, Stub-Out 2" from Wall	1
RIM HEIGHT	VERTICAL HEIGHT ADJUSTMENTS FOR CODES A-E and H	FIXTURE STYLE
33 1/2"	None	Standard Height
31 1/2"	Subtract 2"	TAS, Grades 6 through 8 or 9
29 1/2"	Subtract 4"	TAS, Pre-K through Grades 5 or 6
30 1/2"	Subtract 3"	Juvenile Height

Distributor/Wholesaler:	Date: 2/19/21
Project & Location:	
Model Number:	Qty:



LVLD3

Verge® Wash Basin – LVL-Series

- Sleek, rimless design minimizes standing water
- Faucet pad allows space for user's personal items
- Single piece molded design eliminates caulk lines and seams
- Strainer design accommodates standard 4" plunger
- Unique overflow cover allows access for overflow cleaning

Specifications

Accommodates one to three users. The units handle washroom traffic quickly and economically, while providing each user with personal space. The Verge® Wash Basin is designed with standard lavatory spacing positioned on 30" centers.

Construction

Basin

Evero® Geo Series is a natural quartz surface made from a blend of bio-based resin, natural quartz, granite and other exotic minerals. It is made of 25% recycled content.

Evero Pearl Series is a natural quartz surface made with bio-based resin, sea shells, recycled glass and natural quartz. It is made of 70% recycled content.

- Variations in the natural stone color, pattern, size, shape and shade are inherent. Due to these unique characteristics, please expect subtle shade variations when units are installed adjacent to each other.

Access Panel

Minimalistic panel is composed of decorative 300 series stainless steel. Water supplies, valves, waste assembly and other optional items are concealed within the panel/frame.

Support Frame

Basin assembly and access panel are secured to a heavy gauge stainless steel support frame mounted to wall.

Faucet Options

Choose from 0.35 GPM CAP-DCA, IR-DCD or IR-DCG, which have been tested for fit and performance. For more information on these standard faucet options and plug-in adapter, please enter the model number in the search box at bradleycorp.com. 4" centerset and centershank faucet drillings are available for faucets by others. To maximize handwashing space and minimize splashing, faucets by others require length from faucet base centerline to aerator centerline to be 4" to 5.5" and height from faucet base bottom to aerator bottom to be 3" to 6". Spray pattern aerators require a 0.38 GPM flow or less. 0.5 GPM aerators can be laminar or aerated flow.

Code Compliance and Certifications

Enhanced Reach Compliant

Per 2009 International Building Code (IBC) under 1109.2.3, if there are 6 or more lavatories, at least one lavatory shall meet the 11" maximum reach depth per ICC A117.1 606.5. The L-Series is compliant when used with CAP-DCA, IR-DCD or IR-DCG faucets and 6315 soap. Faucets and soap require a 4" minimum length from faucet base centerline to aerator centerline for compliance.

ANSI Standards

Evero Natural Quartz Surface meets the requirements of CSA B45.5/IAPMO Z124.

cUPC Approval

Verge Wash Basin is Uniform Plumbing Code (UPC), International Plumbing Code (IPC) and National Plumbing Code of Canada (NPC) approved through the International Association of Plumbing and Mechanical Officials (IAPMO). Manufactured in compliance with IGC 156, CSA B45 Series (R08) & ASME A112.18.1/CSA B125.1.

- This plumbing fixture is designed for hand washing only. It is not Intended to dispense water for human consumption through drinking or for preparation of food or beverages.

Page 1 of 4
4/19/2018
This information is subject to change without notice.
Bradley_Sink_Verge_LVLD3



Patents Pending

Models (Must select one)

- | Model | Description |
|--------------------------------|--|
| <input type="checkbox"/> LVLD3 | Verge Wash Basin – L-Series, Three-Station |

Standard Selections (Must select one from each category)

Faucet Type (select one)

- | | | | |
|----------------------------------|---------------------------|---------------------------------|---|
| <input type="checkbox"/> IR-DCG | Infrared Faucet Battery | <input type="checkbox"/> 4" SET | 4" Centerset Drilling (1-1/4" Drillings Only) |
| <input type="checkbox"/> IR-DCD | Infrared Faucet Battery | <input type="checkbox"/> SHANK | Centershank Drilling (1-1/4" Drillings Only) |
| <input type="checkbox"/> CAP-DCA | Capacitive Faucet Battery | | |

Soap Dispenser Type (select one)

- | | |
|--------------------------------------|---|
| <input type="checkbox"/> 6324-68 | 32-oz. Plastic Globe, 4" Spout |
| <input type="checkbox"/> 6315-KT0000 | Battery IR Metering Soap Dispenser Kit (with batteries and 1,000-shot soap) |
| <input type="checkbox"/> 6334 | 16 oz. Plastic Globe, 3-1/2" |
| <input type="checkbox"/> SDO | 1-1/4" Soap Drilling Only |
| <input type="checkbox"/> NSD | No Soap Dispenser/No Drilling |

Water Supply Type (select one)

- | | |
|-------------------------------|--|
| <input type="checkbox"/> TMA | Navigator® Thermostatic Mixing Assembly (Hot and Cold Supplies) w/Stops and Supply Hoses |
| <input type="checkbox"/> NONE | No Valve Option Selected (includes stops and supply hoses) |

Color of Evero® Basin (select one)

Geo Series

- | | | | | | |
|-------------------------------------|------------|-----------------------------------|-------------|------------------------------------|--------------|
| <input type="checkbox"/> ANDORRA | Andorra | <input type="checkbox"/> EVEREST | Everest | <input type="checkbox"/> MYKONOS | Mykonos |
| <input type="checkbox"/> ANTARCTICA | Antarctica | <input type="checkbox"/> GLACIER | Glacier Bay | <input type="checkbox"/> PATAGONIA | Patagonia |
| <input type="checkbox"/> BLACK-SEA | Black Sea | <input type="checkbox"/> KALAHARI | Kalahari | <input type="checkbox"/> SIERRA | Sierra Madre |
| <input type="checkbox"/> DENALI | Denali | <input type="checkbox"/> MOJAVE | Mojave | <input type="checkbox"/> YUKON | Yukon |

Pearl Series (available at an additional charge) (Non-cancelable, non-returnable)

- | | | | |
|--------------------------------|-------|-------------------------------------|------------|
| <input type="checkbox"/> AKOYA | Akoya | <input type="checkbox"/> BLACK-MOON | Black Moon |
|--------------------------------|-------|-------------------------------------|------------|

Access Panel Type (select one)

- | | |
|--------------------------------|-----------------|
| <input type="checkbox"/> STAIN | Stainless Steel |
|--------------------------------|-----------------|

Waste Assembly Type:

- | | |
|-----------------------------------|-------------------------------------|
| <input type="checkbox"/> S-POLY | Single Plastic Polypropylene P-Trap |
| <input type="checkbox"/> S-CHROME | Single Chrome-Plated P-Trap |

Optional Selections

Faucet Adapter Type:

- | | |
|-----------------------------|---|
| <input type="checkbox"/> PT | Plug-in adapter to convert battery operated CAP-DCA, IR-DCD or IR-DCG |
|-----------------------------|---|

Soap Adapter Type:

- | | |
|-----------------------------------|--|
| <input type="checkbox"/> P19-231F | Plug-in adapter - 6315 soap dispenser (must order as a separate line item) |
|-----------------------------------|--|

For more information on Evero Natural Quartz Surface, faucets, valves, transformers, and the soap dispensers, please visit bradleycorp.com.

- Standard product selections contained within this document are third party **CERTIFIED** to NSF/ANSI 372 meeting the Lead-Free content requirement. Any product configured with custom options will be **COMPLIANT** with NSF/ANSI 372 meeting the Lead-Free content requirement.



© 2018 Bradley

P.O. Box 309, Menomonee Falls, WI 53052-0309
800 BRADLEY (800 272 3539) +1 262 251 6000
bradleycorp.com

Distributor/Wholesaler:

Date: 2/19/21

Project & Location:

Model Number:

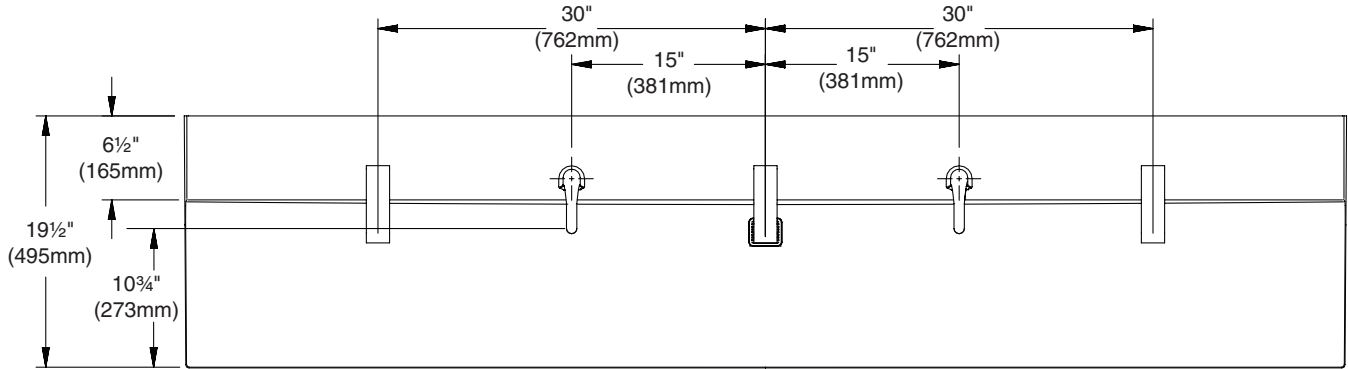
Qty:



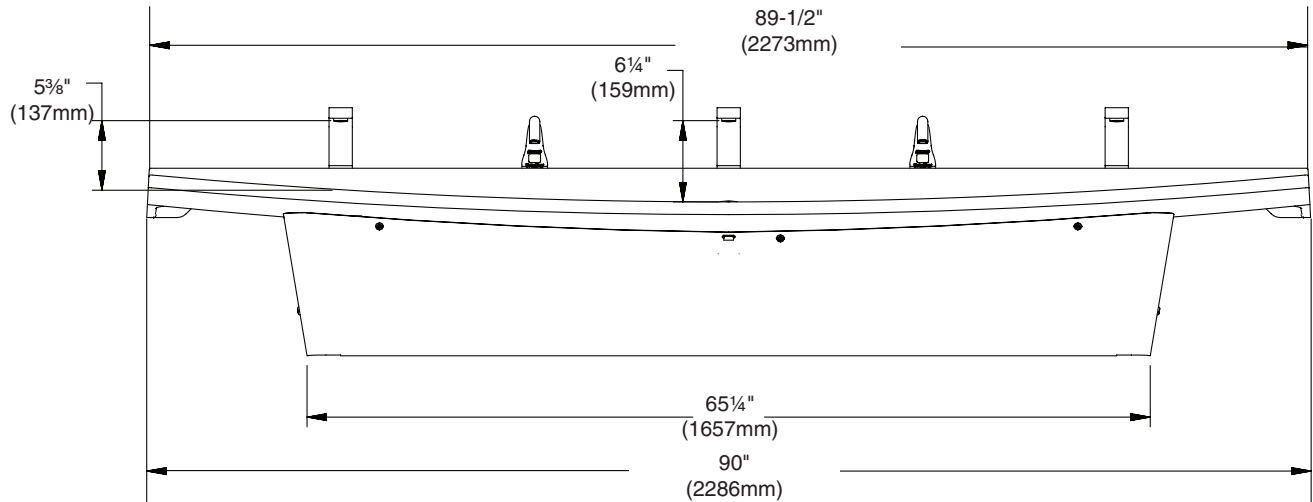
LVLD3 Verge® Wash Basin – LVL-Series

Dimensions for LVLD3 Verge Wash Basin (Shown with CAP-DCA Faucet and 6315 Soap)

Top View



Front View



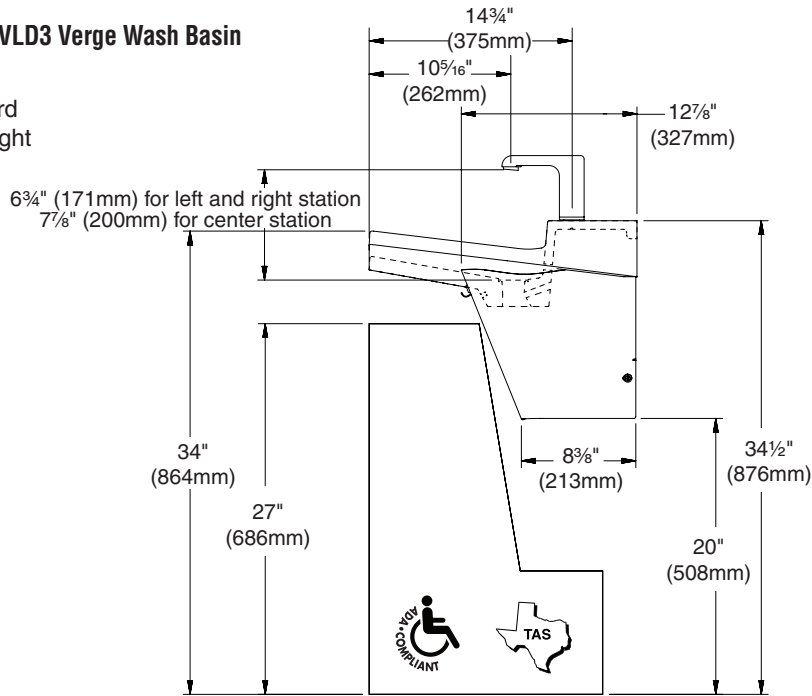
Distributor/Wholesaler:	Date: 2/19/21
Project & Location:	
Model Number:	Qty:



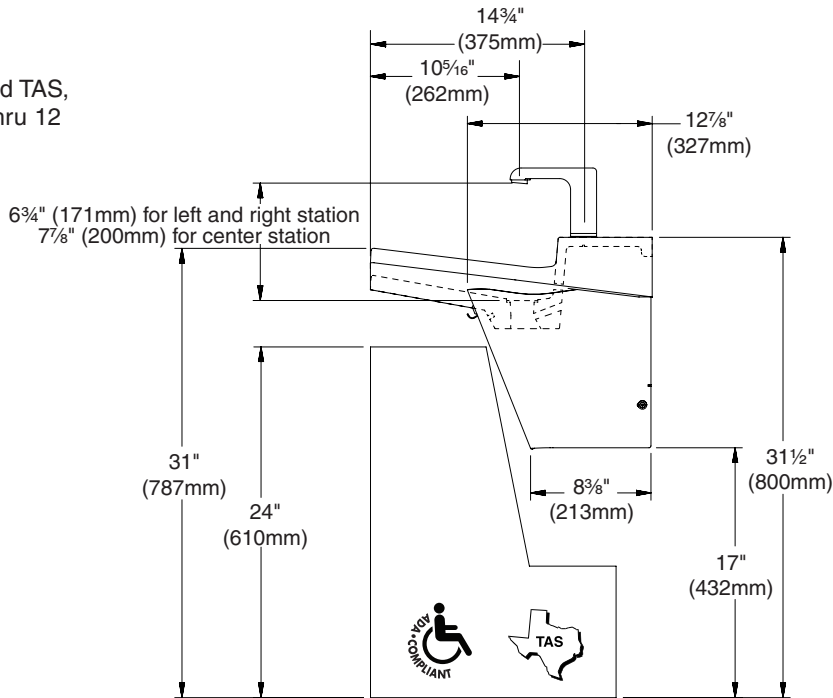
LVLD3 Verge® Wash Basin – LVL-Series

Dimensions for LVLD3 Verge Wash Basin

ADA Standard
and TAS Height



Juvenile and TAS,
Grades 6 thru 12



Distributor/Wholesaler:	Date: 2/19/21
Project & Location:	
Model Number:	Qty:

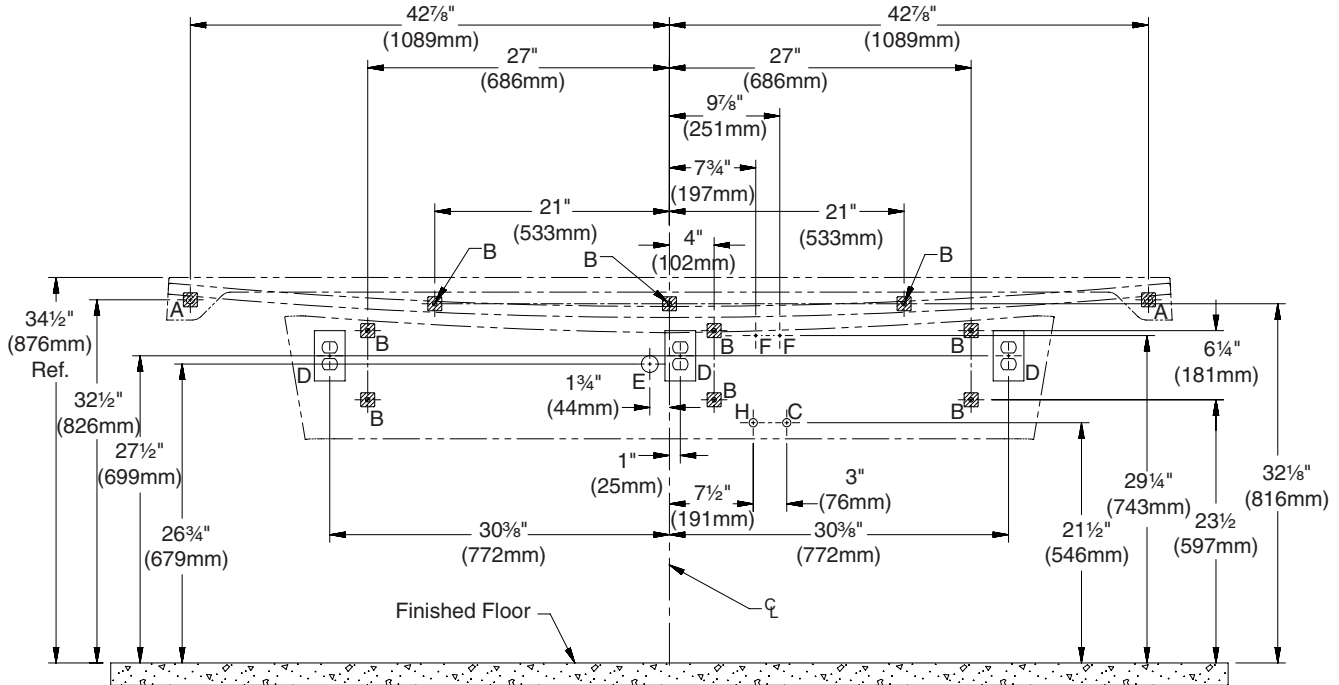


LVLD3 Verge® Wash Basin – LVL-Series

Rough-Ins for LVLD3 Verge Wash Basin

Standard rough-in shown.

Reinforce wall at points A and B.



CODE	DESCRIPTION	QTY.
A	3/8" Bowl Anchors with a Minimum Pull-Out Force of 1,000 lbs. (reinforce walls at anchor points)	2
B	3/8" Frame Anchors with a Minimum Pull-Out Force of 1,000 lbs. (reinforce walls at anchor points)	9
H, C	1/2" Hot/Cold Supplies, Stub-Out 2" From Wall	1
D	110v GFI Protected Electrical Outlet (AC faucet and soap only)	3
E	1 1/2" NPT Drain, Stub-Out 2" from Wall	1
F	#10 Anchors for Valve Bracket Installation	2

RIM HEIGHT	VERTICAL HEIGHT ADJUSTMENTS FOR CODES A–E and H	FIXTURE STYLE
34"	None	Standard Height, ADA and TAS
31"	Subtract 3"	ADA Juvenile and TAS, Grades 6 thru 12

Distributor/Wholesaler:	Date: 2/19/21
Project & Location:	
Model Number:	Qty:



LVGD3

Verge® Wash Basin – LVG-Series

- ADA and TAS Compliant
- Serves One to Three Users at a Time
- Standard Lavatory Spacing on 30" Centers
- Elongated Basin is Constructed of Evero® Natural Quartz Surface
- Select a Bradley Faucet or faucet by others
- Available in a variety of colors

Specifications

Accommodates one to three users. The units handle washroom traffic quickly and economically, while providing each user with personal space. The Verge® Wash Basin is designed with standard lavatory spacing positioned on 30" centers.

Construction

Basin

Evero Geo Series is a natural quartz surface made from a blend of bio-based resin, natural quartz, granite and other exotic minerals. It is made of 25% recycled content.

Evero Pearl Series is a natural quartz surface made with bio-based resin, sea shells, recycled glass and natural quartz. It is made of 70% recycled content.

- Variations in the natural stone color, pattern, size, shape and shade are inherent. Due to these unique characteristics, please expect subtle shade variations when units are installed adjacent to each other.

Access Panel

Panel is composed of decorative 300 series stainless steel.

Support Frame

Basin assembly and access panel are secured to a heavy gauge stainless steel support frame mounted to wall.

Vandal Resistance

Water supplies, valves, waste assembly and other optional items are concealed within the access panel/frame.

Faucet Options

There are several hands-free faucet options available with the Verge Wash Basin. Choose from CAP-DCA, IR-DCD or IR-DCG. For more information on these standard faucet options and plug-in adapters, please enter the model number in the search box at www.bradleycorp.com. 4" Centerset and Centershank faucet hole drillings are available for faucets by others.

Code Compliance and Certifications

ANSI Standards

Evero Natural Quartz Surface meets the requirements of CSA B45.5/IAPMO Z124.

cUPC Approval

Verge Wash Basin is Uniform Plumbing Code (UPC), International Plumbing Code (IPC) and National Plumbing Code of Canada (NPC) approved through the International Association of Plumbing and Mechanical Officials (IAPMO). Manufactured in compliance with IGC 156, CSA B45 Series (R08) & ASME A112.18.1/CSA B125.1.

- This plumbing fixture is designed for hand washing only. It is not Intended to dispense water for human consumption through drinking or for preparation of food or beverages.

- Standard product selections contained within this document are third party **CERTIFIED** to NSF/ANSI 372 meeting the Lead-Free content requirement. Any product configured with custom options will be **COMPLIANT** with NSF/ANSI 372 meeting the Lead-Free content requirement.

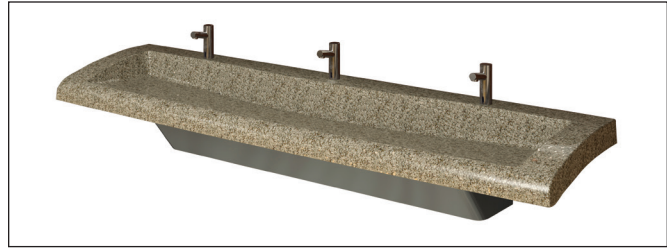
Protected by one or more of the following U.S. Patents: D625,792 S; D633,992 S; and D642,664 S.

Page 1 of 4

4/19/2018

This information is subject to change without notice.

Bradley_Sink_Verge_LVGD3



Models (Must select one)

- | Model | Description |
|--------------------------------|---|
| <input type="checkbox"/> LVGD3 | Verge Wash Basin – LVGD-Series, Three-Station |

Standard Selections (Must select one from each category)

Faucet Type (select one)

- | | | | |
|----------------------------------|---------------------------|---------------------------------|---|
| <input type="checkbox"/> IR-DCG | Infrared Faucet Battery | <input type="checkbox"/> 4" SET | 4" Centerset Drilling (1-1/4" Drillings Only) |
| <input type="checkbox"/> IR-DCD | Infrared Faucet Battery | <input type="checkbox"/> SHANK | Centershank Drilling (1-1/4" Drillings Only) |
| <input type="checkbox"/> CAP-DCA | Capacitive Faucet Battery | | |

Soap Dispenser Type (select one)

- | | |
|--------------------------------------|---|
| <input type="checkbox"/> 6324-68 | 32-oz. Plastic Globe, 4" Spout |
| <input type="checkbox"/> 6315-KT0000 | Battery IR Metering Soap Dispenser Kit (with batteries and 1,000-shot soap) |
| <input type="checkbox"/> 6334 | 16 oz. Plastic Globe, 3-1/2" Spout |
| <input type="checkbox"/> SDO | 1-1/4" Soap Drilling Only |
| <input type="checkbox"/> NSD | No Soap Drilling |

Water Supply Type (select one)

- | | |
|-------------------------------|--|
| <input type="checkbox"/> TMA | Navigator® Thermostatic Mixing Assembly (Hot and Cold Supplies) w/Stops and Supply Hoses |
| <input type="checkbox"/> NONE | No Valve Option Selected (includes stops and supply hoses) |

Color of Evero® Basin (select one)

Geo Series

- | | | | | | |
|-------------------------------------|------------|-----------------------------------|-------------|------------------------------------|--------------|
| <input type="checkbox"/> ANDORRA | Andorra | <input type="checkbox"/> EVEREST | Everest | <input type="checkbox"/> MYKONOS | Mykonos |
| <input type="checkbox"/> ANTARCTICA | Antarctica | <input type="checkbox"/> GLACIER | Glacier Bay | <input type="checkbox"/> PATAGONIA | Patagonia |
| <input type="checkbox"/> BLACK-SEA | Black Sea | <input type="checkbox"/> KALAHARI | Kalahari | <input type="checkbox"/> SIERRA | Sierra Madre |
| <input type="checkbox"/> DENALI | Denali | <input type="checkbox"/> MOJAVE | Mojave | <input type="checkbox"/> YUKON | Yukon |

Pearl Series (available at an additional charge) (Non-cancelable, non-returnable)

- | | | | |
|--------------------------------|-------|-------------------------------------|------------|
| <input type="checkbox"/> AKOYA | Akoya | <input type="checkbox"/> BLACK-MOON | Black Moon |
|--------------------------------|-------|-------------------------------------|------------|

Access Panel Type (select one)

- | | |
|--------------------------------|-----------------|
| <input type="checkbox"/> STAIN | Stainless Steel |
|--------------------------------|-----------------|

Waste Assembly Type:

- | | |
|-----------------------------------|-------------------------------------|
| <input type="checkbox"/> S-POLY | Single Plastic Polypropylene P-Trap |
| <input type="checkbox"/> S-CHROME | Single Chrome-Plated P-Trap |

Optional Selections

Faucet Adapter Type:

- | | |
|-----------------------------|---|
| <input type="checkbox"/> PT | Plug-in adapter to convert battery operated CAP-DCA, IR-DCD or IR-DCG |
|-----------------------------|---|

Soap Adapter Type:

- | | |
|-----------------------------------|--|
| <input type="checkbox"/> P19-231F | Plug-in adapter - 6315 soap dispenser (must order as a separate line item) |
|-----------------------------------|--|

For more information on Evero Natural Quartz Surface, faucets, valves, transformers, and the sensor-operated soap dispenser, please visit bradleycorp.com.



© 2018 Bradley

P.O. Box 309, Menomonee Falls, WI 53052-0309

800 BRADLEY (800 272 3539) +1 262 251 6000

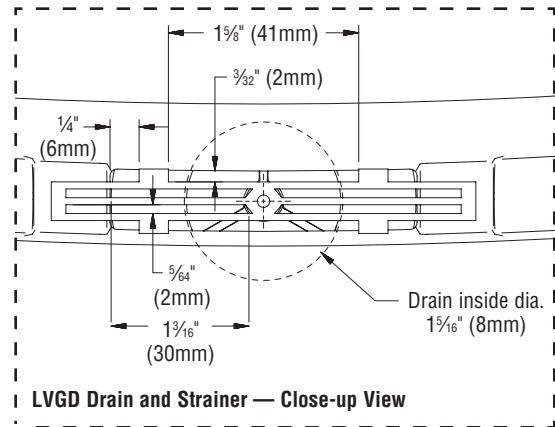
bradleycorp.com

Distributor/Wholesaler:	Date: 2/19/21
Project & Location:	
Model Number:	Qty:

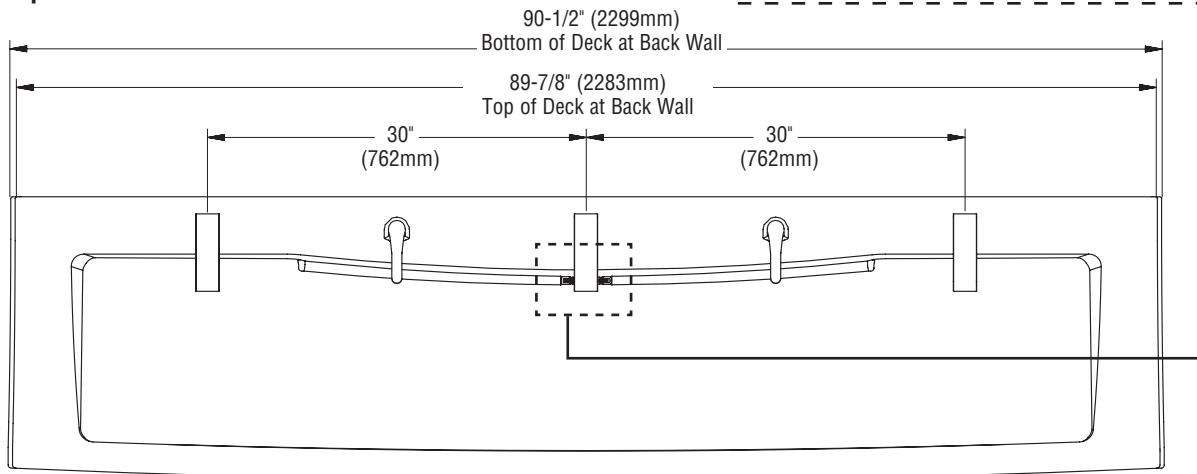


LVGD3 Verge® Wash Basin – LVG-Series

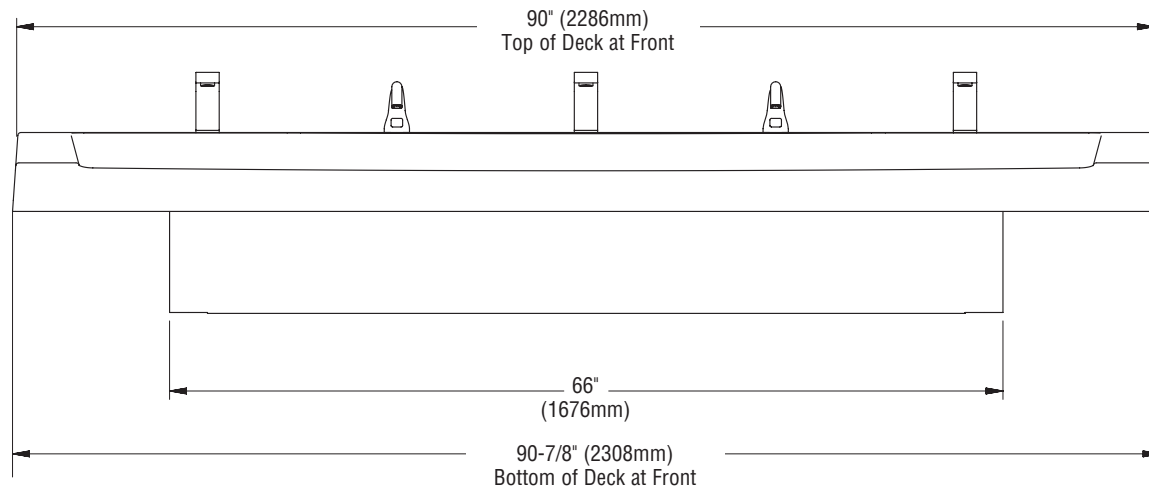
Dimensions for LVGD3 Verge Wash Basin



Top View



Front View

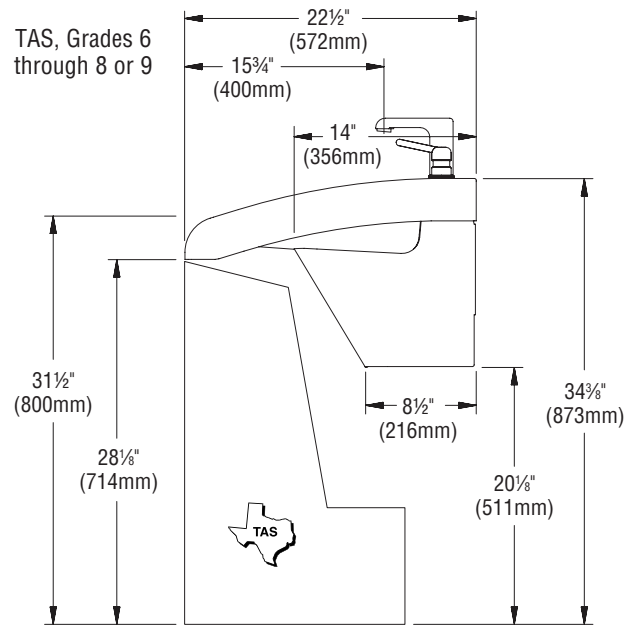
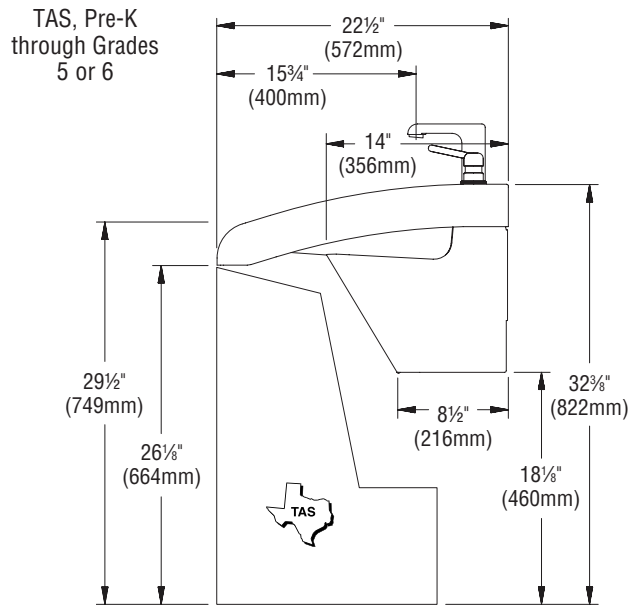
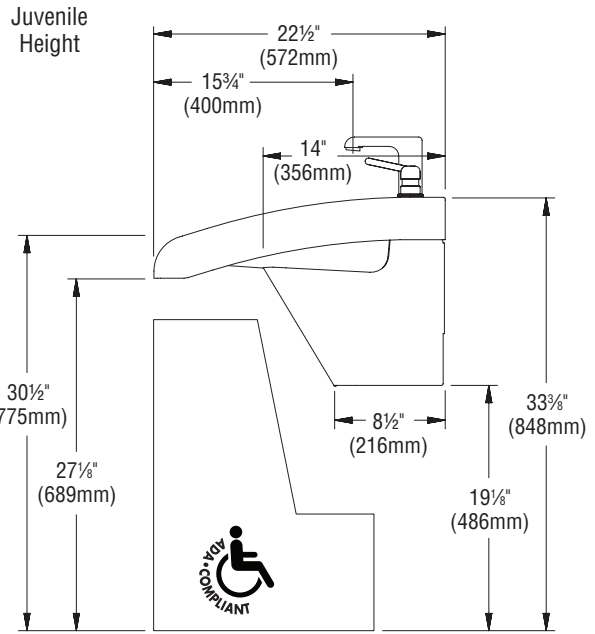
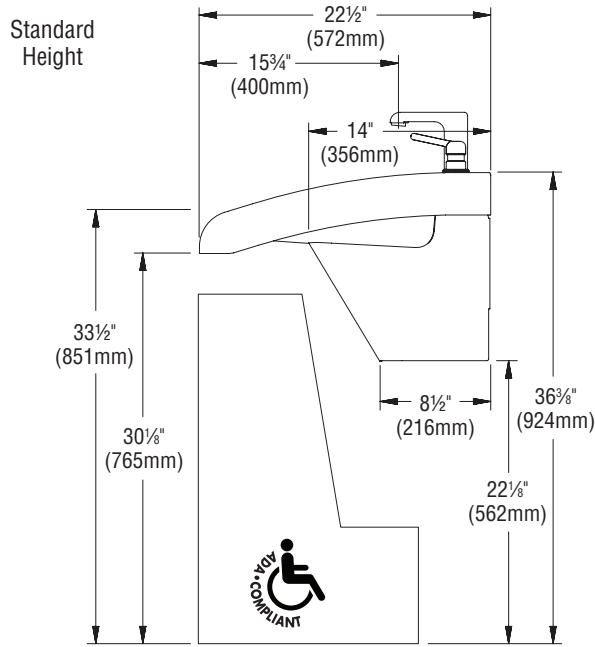


Distributor/Wholesaler:	Date: 2/19/21
Project & Location:	
Model Number:	Qty:



LVGD3 Verge® Wash Basin – LVG-Series

Dimensions for LVGD3 Verge Wash Basin



Distributor/Wholesaler:

Date: 2/19/21

Project & Location:

Model Number:

Qty:

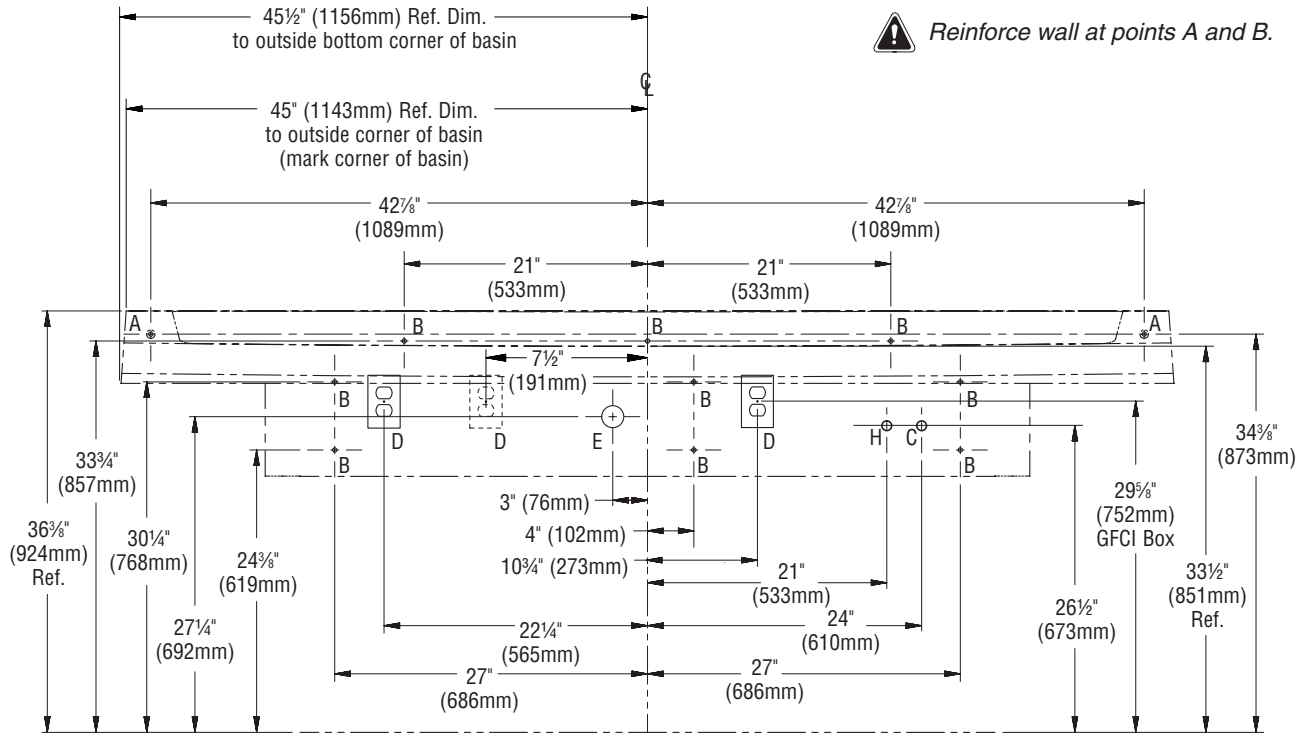


LVGD3 Verge® Wash Basin – LVG-Series

Rough-Ins for LVGD3 Verge Wash Basin

Standard rough-in shown.

Reinforce wall at points A and B.



CODE	DESCRIPTION	QTY.
A	3/8" Lav Deck Bowl Anchors with a Minimum Pull-Out Force of 1,000 lbs. (reinforce walls at anchor points)	2
B	3/8" Lav Deck Frame Anchors with a Minimum Pull-Out Force of 1,000 lbs. (reinforce walls at anchor points)	9
H, C	1/2" Hot/Cold Supplies, Stub-Out 2" From Wall	1
D	110v GFI Protected Electrical Outlet (AC faucet and soap only) <i>Three single outlets are required for CAP-DCA faucets due to the size of the transformers.</i>	3
E	1 1/2" NPT Drain, Stub-Out 2" from Wall	1

RIM HEIGHT	VERTICAL HEIGHT ADJUSTMENTS FOR CODES A-E and H	FIXTURE STYLE
33 1/2"	None	Standard Height
31 1/2"	Subtract 2"	TAS, Grades 6 through 8 or 9
29 1/2"	Subtract 4"	TAS, Pre-K through Grades 5 or 6
30 1/2"	Subtract 3"	Juvenile Height

Distributor/Wholesaler:	Date: 2/19/21
Project & Location:	
Model Number:	Qty:



LVGD2

Verge® Wash Basin – LVG-Series

- ADA and TAS Compliant
- Serves One or Two Users at a Time
- Standard Lavatory Spacing on 30" Centers
- Elongated Basin is Constructed of Evero® Natural Quartz Surface
- Select a Bradley Faucet or faucet by others
- Available in a variety of colors

Specifications

Accommodates one or two users. The units handle washroom traffic quickly and economically, while providing each user with personal space. The Verge® Wash Basin is designed with standard lavatory spacing positioned on 30" centers.

Construction

Basin

Evero Geo Series is a natural quartz surface made from a blend of bio-based resin, natural quartz, granite and other exotic minerals. It is made of 25% recycled content.

Evero Pearl Series is a natural quartz surface made with bio-based resin, sea shells, recycled glass and natural quartz. It is made of 70% recycled content.

- Variations in the natural stone color, pattern, size, shape and shade are inherent. Due to these unique characteristics, please expect subtle shade variations when units are installed adjacent to each other.

Access Panel

Panel is composed of decorative 300 series stainless steel.

Support Frame

Basin assembly and access panel are secured to a heavy gauge stainless steel support frame mounted to wall.

Vandal Resistance

Water supplies, valves, waste assembly and other optional items are concealed within the access panel/frame.

Faucet Options

There are several hands-free faucet options available with the Verge Wash Basin. Choose from CAP-DCA, IR-DCD or IR-DCG. For more information on these standard faucet options and plug-in adapters, please enter the model number in the search box at www.bradleycorp.com. 4" Centerset and Centershank faucet hole drillings are available for faucets by others.

Code Compliance and Certifications

ANSI Standards

Evero Natural Quartz Surface meets the requirements of CSA B45.5/IAPMO Z124.

cUPC Approval

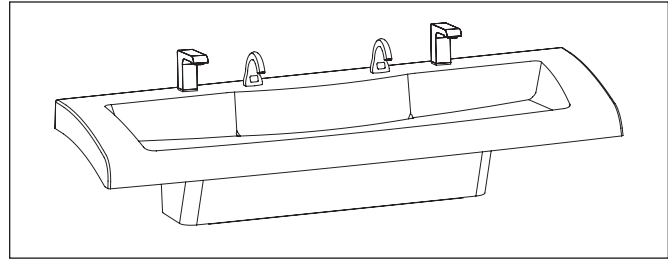
Verge Wash Basin is Uniform Plumbing Code (UPC), International Plumbing Code (IPC) and National Plumbing Code of Canada (NPC) approved through the International Association of Plumbing and Mechanical Officials (IAPMO). Manufactured in compliance with IGC 156, CSA B45 Series (R08) & ASME A112.18.1/CSA B125.1.

- This plumbing fixture is designed for hand washing only. It is not Intended to dispense water for human consumption through drinking or for preparation of food or beverages.

- Standard product selections contained within this document are third party **CERTIFIED** to NSF/ANSI 372 meeting the Lead-Free content requirement. Any product configured with custom options will be **COMPLIANT** with NSF/ANSI 372 meeting the Lead-Free content requirement.

Protected by one or more of the following U.S. Patents: D625,792 S; D633,992 S; and D642,664 S.

Page 1 of 4
4/19/2018
This information is subject to change without notice.
Bradley_Sink_Verge_LVGD2



Models (Must select one)

Model	Description
<input type="checkbox"/> LVGD2	Verge Wash Basin – LVGD-Series, Two-Station

Standard Selections (Must select one from each category)

Faucet Type (select one)

- IR-DCG Infrared Faucet Battery
- IR-DCD Infrared Faucet Battery
- CAP-DCA Capacitive Faucet Battery
- 4" SET 4" Centerset Drilling (1-1/4" Drillings Only)
- SHANK Centershank Drilling (1-1/4" Drillings Only)

Soap Dispenser Type (select one)

- 6324-68 32-oz. Plastic Globe, 4" Spout
- 6315-KT0000 Battery IR Metering Soap Dispenser Kit (with batteries and 1,000-shot soap)
- 6334 16 oz. Plastic Globe, 3-1/2" Spout
- SDO 1-1/4" Soap Drilling Only
- NSD No Soap Dispenser/No Drilling

Water Supply Type (select one)

- TMA Navigator® Thermostatic Mixing Assembly (Hot and Cold Supplies) w/Stops and Supply Hoses
- NONE No Valve Option Selected (includes stops and supply hoses)

Color of Evero® Basin (select one)

Geo Series

- | | | |
|--|--|--|
| <input type="checkbox"/> ANDORRA Andorra | <input type="checkbox"/> EVEREST Everest | <input type="checkbox"/> MYKONOS Mykonos |
| <input type="checkbox"/> ANTARCTICA Antarctica | <input type="checkbox"/> GLACIER Glacier Bay | <input type="checkbox"/> PATAGONIA Patagonia |
| <input type="checkbox"/> BLACK-SEA Black Sea | <input type="checkbox"/> KALAHARI Kalahari | <input type="checkbox"/> SIERRA Sierra Madre |
| <input type="checkbox"/> DENALI Denali | <input type="checkbox"/> MOJAVE Mojave | <input type="checkbox"/> YUKON Yukon |

Pearl Series (available at an additional charge) (Non-cancelable, non-returnable)

- AKOYA Akoya
- BLACK-MOON Black Moon

Access Panel Type (select one)

- STAIN Stainless Steel

Waste Assembly Type:

- S-POLY Single Plastic Polypropylene P-Trap
- S-CHROME Single Chrome-Plated P-Trap

Optional Selections

Faucet Adapter Type:

- PT Plug-in adapter to convert battery operated CAP-DCA, IR-DCD or IR-DCG

Soap Adapter Type:

- P19-231F Plug-in adapter - 6315 soap dispenser (must order as a separate line item)

For more information on Evero Natural Quartz Surface, faucets, valves, transformers, and the sensor-operated soap dispenser, please visit bradleycorp.com.



© 2018 Bradley
P.O. Box 309, Menomonee Falls, WI 53052-0309
800 BRADLEY (800 272 3539) +1 262 251 6000
bradleycorp.com

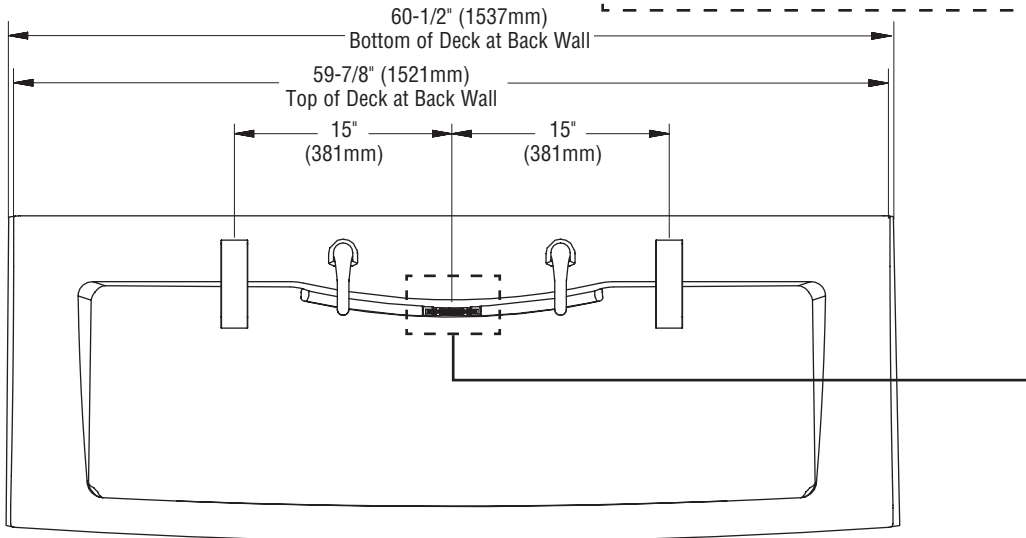
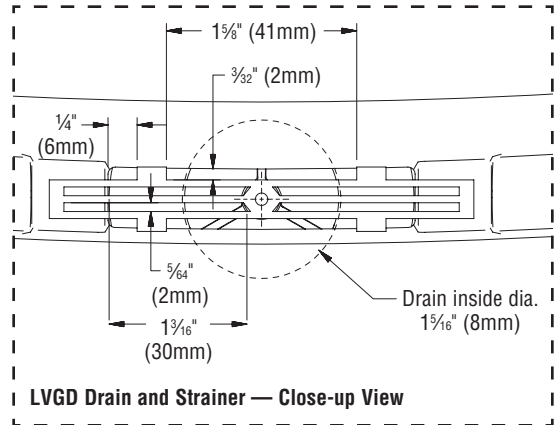
Distributor/Wholesaler:	Date: 2/19/21
Project & Location:	
Model Number:	Qty:



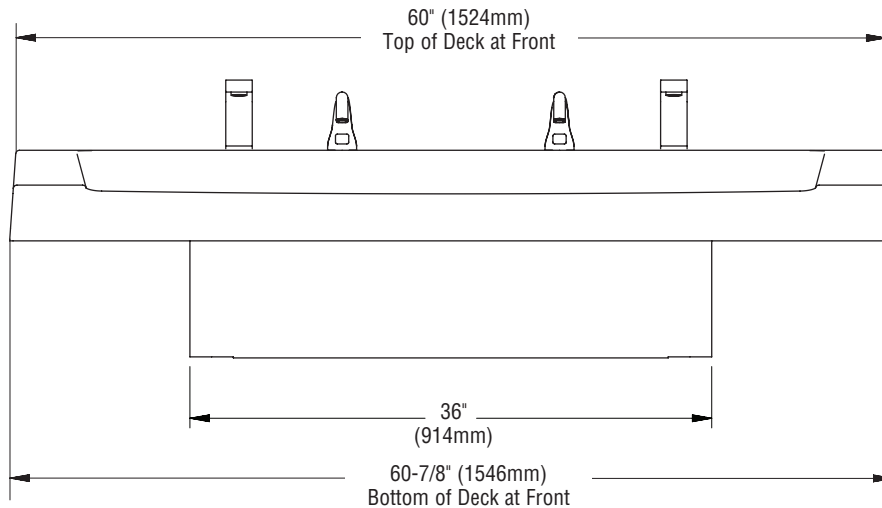
LVGD2 Verge® Wash Basin – LVG-Series

Dimensions for LVGD2 Verge Wash Basin

Top View



Front View

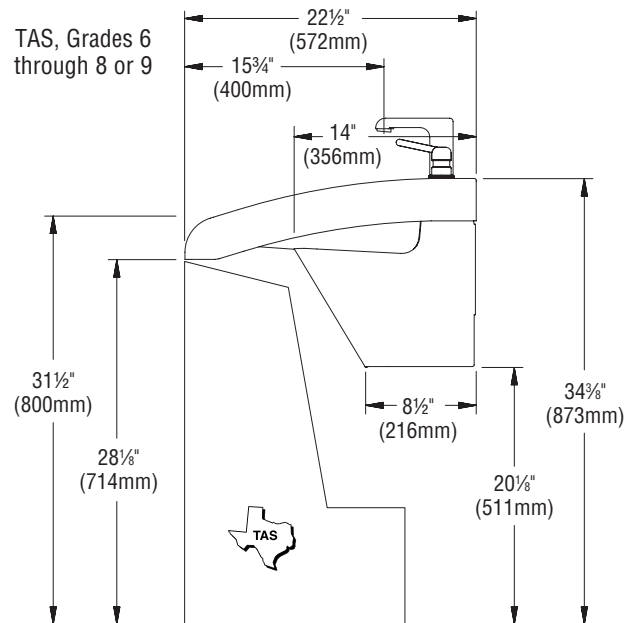
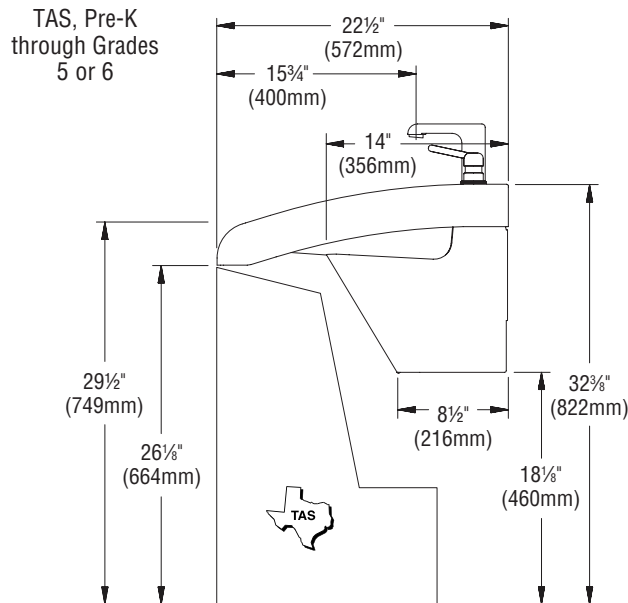
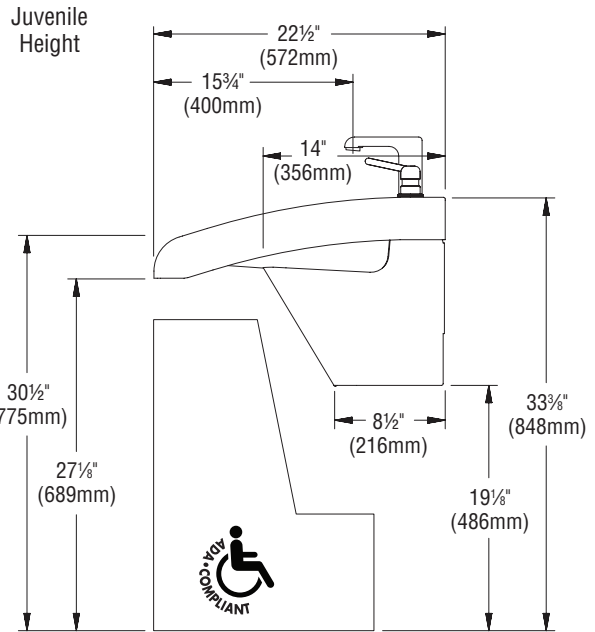
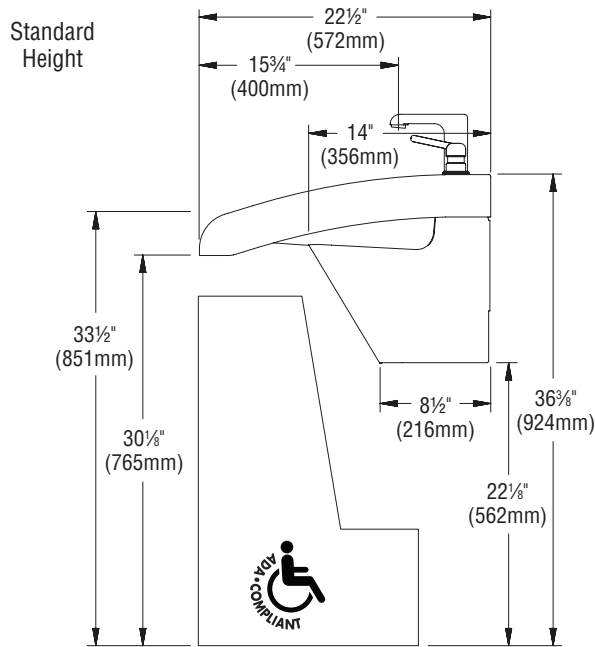


Distributor/Wholesaler:	Date: 2/19/21
Project & Location:	
Model Number:	Qty:



LVGD2 Verge® Wash Basin – LVG-Series

Dimensions for LVGD2 Verge Wash Basin



Distributor/Wholesaler:

Date: 2/19/21

Project & Location:

Model Number:

Qty:

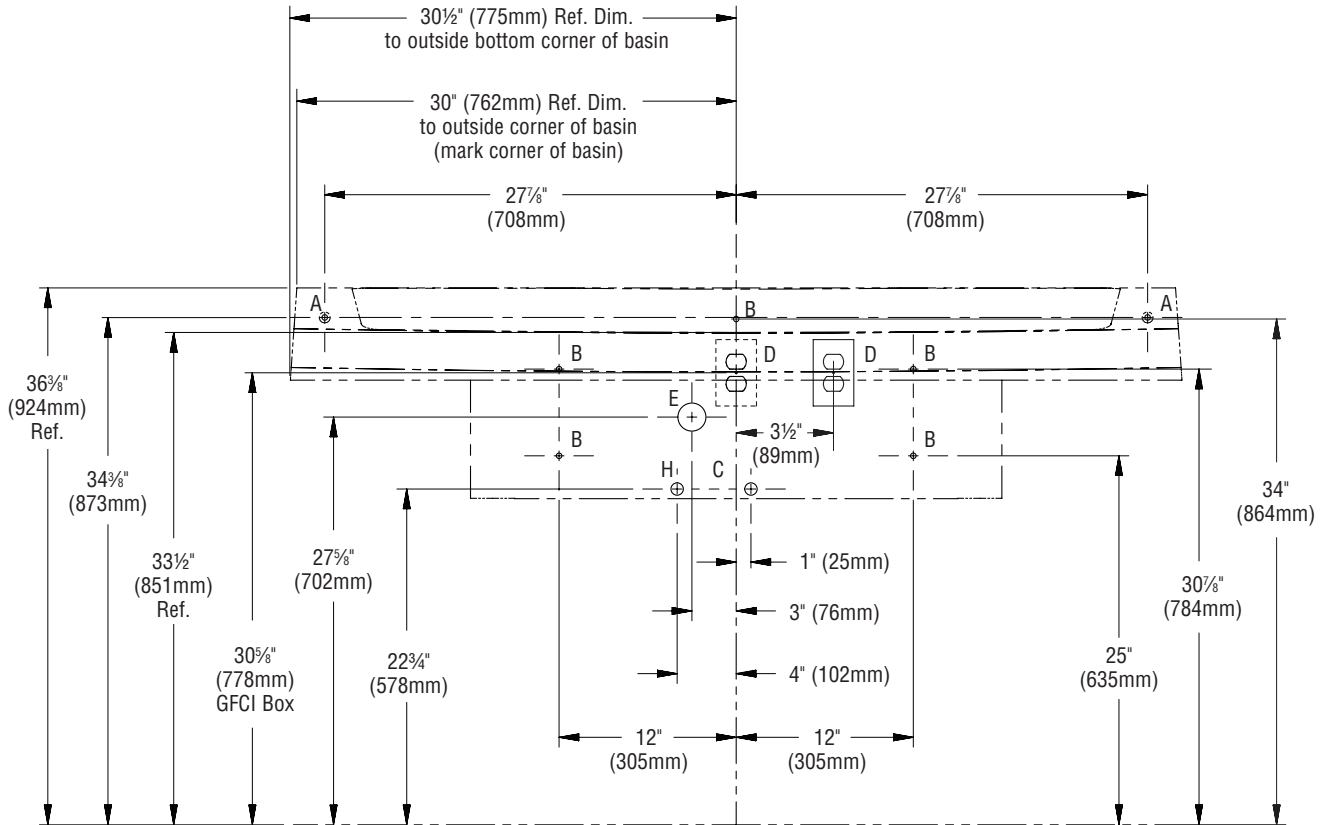


LVGD2 Verge® Wash Basin – LVG-Series

Rough-Ins for LVGD2 Verge Wash Basin

Standard rough-in shown.

Reinforce wall at points A and B.



CODE	DESCRIPTION	QTY.
A	3/8" Lav Deck Bowl Anchors with a Minimum Pull-Out Force of 1,000 lbs. (reinforce walls at anchor points)	2
B	3/8" Lav Deck Frame Anchors with a Minimum Pull-Out Force of 1,000 lbs. (reinforce walls at anchor points)	5
H, C	1/2" Hot/Cold Supplies, Stub-Out 2" From Wall	1
D	110v GFI Protected Electrical Outlet (AC faucet and soap only) <i>Two single outlets are required for CAP-DCA faucets due to the size of the transformers.</i>	2
E	1 1/2" NPT Drain, Stub-Out 2" from Wall	1

RIM HEIGHT	VERTICAL HEIGHT ADJUSTMENTS FOR CODES A-E and H	FIXTURE STYLE
33 1/2"	None	Standard Height
31 1/2"	Subtract 2"	TAS, Grades 6 through 8 or 9
29 1/2"	Subtract 4"	TAS, Pre-K through Grades 5 or 6
30 1/2"	Subtract 3"	Juvenile Height

Distributor/Wholesaler:	Date: 2/19/21
Project & Location:	
Model Number:	Qty:



LVRD3 Verge® Wash Basin – LVR-Series

- ADA and TAS Compliant
- Serves One to Three Users at a Time
- Standard Lavatory Spacing on 30" Centers
- Elongated Basin is Constructed of Evero® Natural Quartz Surface
- Select a Bradley Faucet or Faucet by Others
- Available in a variety of colors

Specifications

Accommodates one to three users. The units handle washroom traffic quickly and economically, while providing each user with personal space. The Verge® Wash Basin is designed with standard lavatory spacing positioned on 30" centers.

Construction

Basin

Evero Geo Series is a natural quartz surface made from a blend of bio-based resin, natural quartz, granite and other exotic minerals. It is made of 25% recycled content.

Evero Pearl Series is a natural quartz surface made with bio-based resin, sea shells, recycled glass and natural quartz. It is made of 70% recycled content.

Variations in the natural stone color, pattern, size, shape and shade are inherent. Due to these unique characteristics, please expect subtle shade variations when units are installed adjacent to each other.

Access Panel

Panel is composed of decorative 300 series stainless steel.

Support Frame

Basin assembly and access panel are secured to a heavy gauge stainless steel support frame mounted to wall.

Vandal Resistance

Water supplies, valves, waste assembly and other optional items are concealed within the access panel/frame.

Faucet Options

There are several hands-free faucet options available with the Verge Wash Basin. Choose from CAP-DCA, IR-DCD, or IR-DCG. For more information on these standard faucet options and plug-in adapters, please enter the model number in the search box at www.bradleycorp.com. 4" Centerset and Centershank faucet hole drillings are available for faucets by others.

Code Compliance and Certifications

ANSI Standards

Evero Natural Quartz Surface meets the requirements of CSA B45.5/IAPMO Z124.

cUPC Approval

Verge Wash Basin is Uniform Plumbing Code (UPC), International Plumbing Code (IPC) and National Plumbing Code of Canada (NPC) approved through the International Association of Plumbing and Mechanical Officials (IAPMO). Manufactured in compliance with IGC 156, CSA B45 Series (R08) & ASME A112.18.1/CSA B125.1.

This plumbing fixture is designed for hand washing only. It is not Intended to dispense water for human consumption through drinking or for preparation of food or beverages.

Standard product selections contained within this document are third party **CERTIFIED** to NSF/ANSI 372 meeting the Lead-Free content requirement. Any product configured with custom options will be **COMPLIANT** with NSF/ANSI 372 meeting the Lead-Free content requirement.

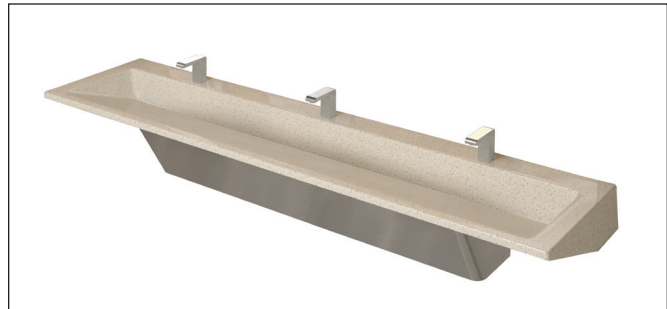
Protected by one or more of the following U.S. Patents: D629-877 S; D640,778 S; and D649,232 S.

Page 1 of 4

4/20/2018

This information is subject to change without notice.

Bradley_Sink_Verge_LVRD3



Models (Must select one)

Model	Description
<input type="checkbox"/> LVRD3	Verge Wash Basin – LVRD-Series, Three-Station

Standard Selections (Must select one from each category)

Faucet Type (select one)

<input type="checkbox"/> IR-DCG	Infrared Faucet Battery	<input type="checkbox"/> 4" SET	4" Centerset Drilling (1-1/4" Drillings Only)
<input type="checkbox"/> IR-DCD	Infrared Faucet Battery	<input type="checkbox"/> SHANK	Centershank Drilling (1-1/4" Drillings Only)
<input type="checkbox"/> CAP-DCA	Capacitive Faucet Battery		

Soap Dispenser Type (select one)

<input type="checkbox"/> 6324-68	32-oz. Plastic Globe, 4" Spout
<input type="checkbox"/> 6315-KT0000	Battery IR Metering Soap Dispenser Kit (with batteries and 1,000-shot soap)
<input type="checkbox"/> 6334	16 oz. Plastic Globe, 3-1/2" Spout
<input type="checkbox"/> SD0	1-1/4" Soap Drilling Only
<input type="checkbox"/> NSD	No Soap Dispenser/No Drilling

Water Supply Type (select one)

<input type="checkbox"/> TMA	Navigator® Thermostatic Mixing Assembly (Hot and Cold Supplies) w/Stops and Supply Hoses
<input type="checkbox"/> NONE	No Valve Option Selected (includes stops and supply hoses)

Color of Evero® Basin (select one)

Geo Series

<input type="checkbox"/> ANDORRA	Andorra	<input type="checkbox"/> EVEREST	Everest	<input type="checkbox"/> MYKONOS	Mykonos
<input type="checkbox"/> ANTARCTICA	Antarctica	<input type="checkbox"/> GLACIER	Glacier Bay	<input type="checkbox"/> PATAGONIA	Patagonia
<input type="checkbox"/> BLACK-SEA	Black Sea	<input type="checkbox"/> KALAHARI	Kalahari	<input type="checkbox"/> SIERRA	Sierra Madre
<input type="checkbox"/> DENALI	Denali	<input type="checkbox"/> MOJAVE	Mojave	<input type="checkbox"/> YUKON	Yukon

Pearl Series (available at an additional charge) (Non-cancelable, non-returnable)

<input type="checkbox"/> AKOYA	Akoya	<input type="checkbox"/> BLACK-MOON	Black Moon
--------------------------------	-------	-------------------------------------	------------

Access Panel Type (select one)

<input type="checkbox"/> STAIN	Stainless Steel
--------------------------------	-----------------

Waste Assembly Type:

<input type="checkbox"/> S-POLY	Single Plastic Polypropylene P-Trap
<input type="checkbox"/> S-CHROME	Single Chrome-Plated P-Trap

Optional Selections

Faucet Adapter Type:

<input type="checkbox"/> PT	Plug-in adapter to convert battery operated CAP-DCA, IR-DCD or IR-DCG
-----------------------------	---

Soap Adapter Type:

<input type="checkbox"/> P19-231F	Plug-in adapter - 6315 soap dispenser (must order as a separate line item)
-----------------------------------	--

For more information on Evero Natural Quartz Surface, faucets, valves, transformers, and the sensor-operated soap dispenser, please visit bradleycorp.com.



© 2018 Bradley

P.O. Box 309, Menomonee Falls, WI 53052-0309

800 BRADLEY (800 272 3539) +1 262 251 6000

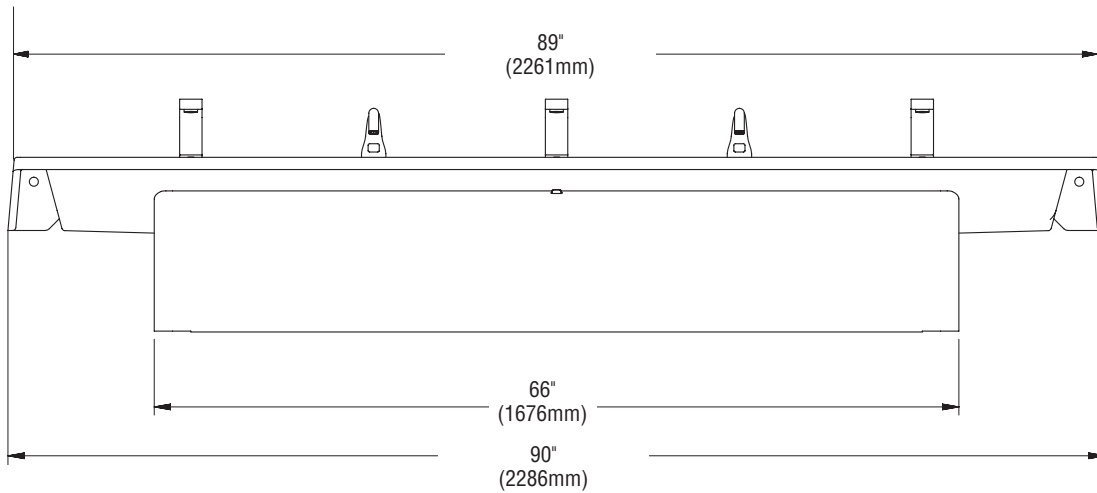
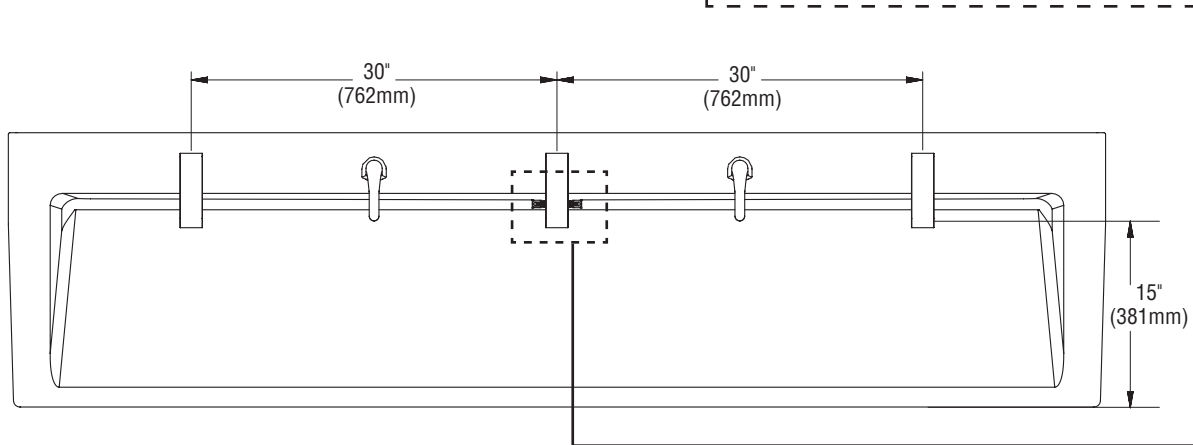
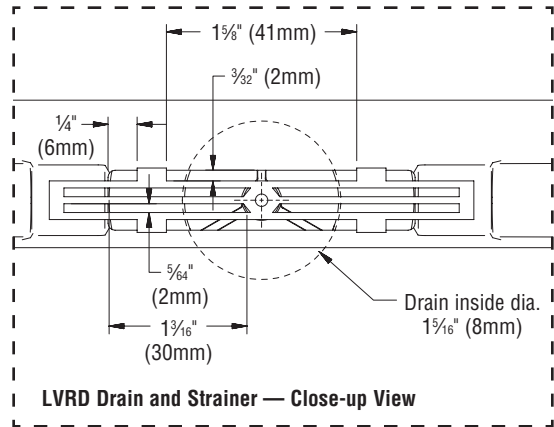
bradleycorp.com

Distributor/Wholesaler:	Date: 2/19/21
Project & Location:	
Model Number:	Qty:



LVRD3 Verge® Wash Basin – LVR-Series

Dimensions for LVRD3 Verge Wash Basin

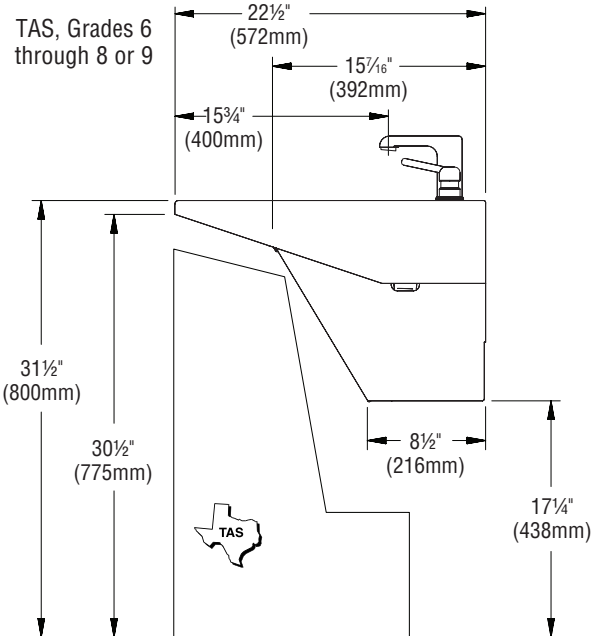
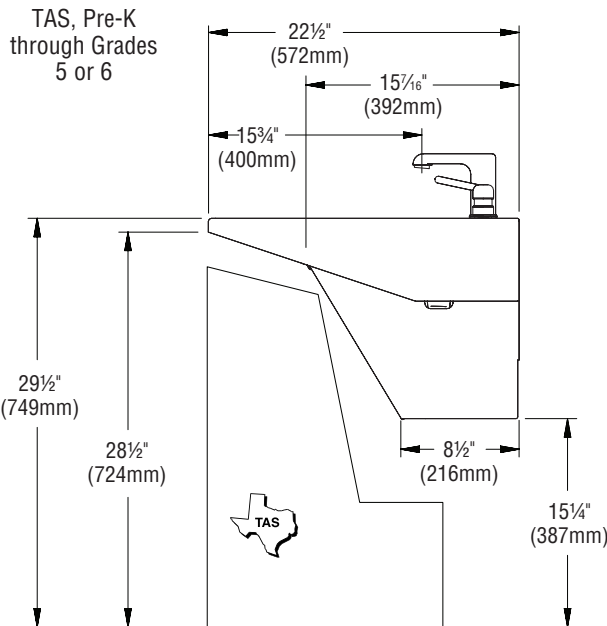
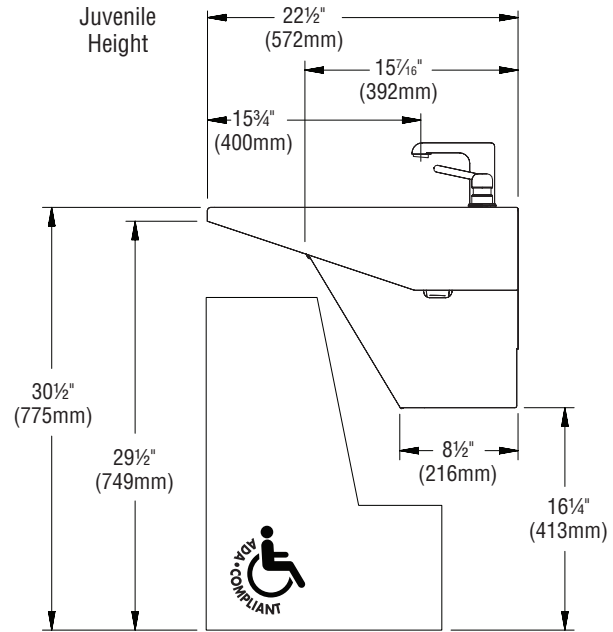
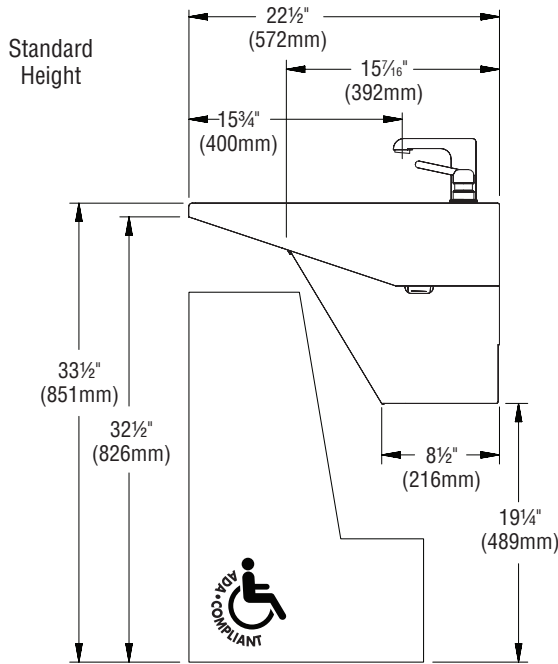


Distributor/Wholesaler:	Date: 2/19/21
Project & Location:	
Model Number:	Qty:



LVRD3 Verge® Wash Basin – LVR-Series

Dimensions for LVRD3 Verge Wash Basin



Distributor/Wholesaler:

Date: 2/19/21

Project & Location:

Model Number:

Qty:

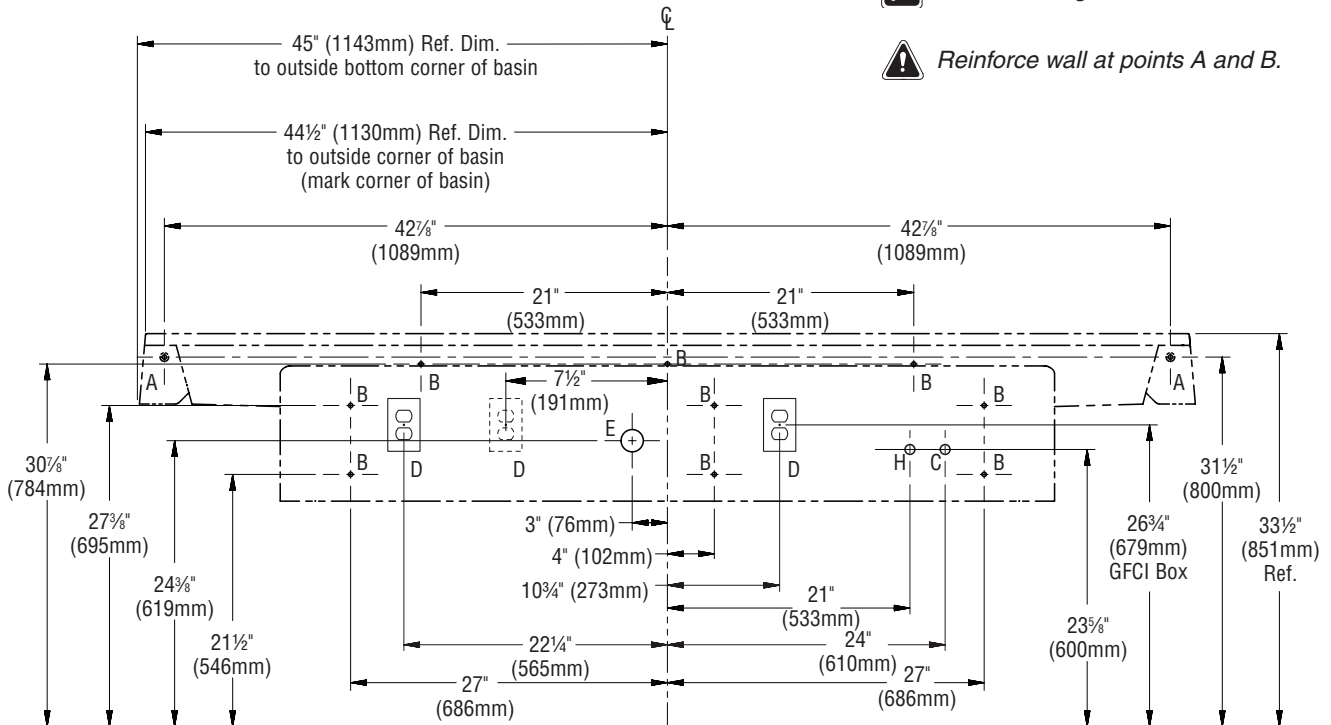


LVRD3 Verge® Wash Basin – LVR-Series

Rough-Ins for LVRD3 Verge Wash Basin

Standard rough-in shown.

Reinforce wall at points A and B.



CODE	DESCRIPTION	QTY.
A	3/8" Lav Deck Bowl Anchors with a Minimum Pull-Out Force of 1,000 lbs. (reinforce walls at anchor points)	2
B	3/8" Lav Deck Frame Anchors with a Minimum Pull-Out Force of 1,000 lbs. (reinforce walls at anchor points)	9
H, C	1/2" Hot/Cold Supplies, Stub-Out 2" From Wall	1
D	110v GFI Protected Electrical Outlet (AC faucet and soap only) <i>Three single outlets are required for CAP-DCA faucets due to the size of the transformers.</i>	3
E	1 1/2" NPT Drain, Stub-Out 2" from Wall	1
RIM HEIGHT	VERTICAL HEIGHT ADJUSTMENTS FOR CODES A-E and H	FIXTURE STYLE
33 1/2"	None	Standard Height
31 1/2"	Subtract 2"	TAS, Grades 6 through 8 or 9
29 1/2"	Subtract 4"	TAS, Pre-K through Grades 5 or 6
30 1/2"	Subtract 3"	Juvenile Height

Distributor/Wholesaler:	Date: 2/19/21
Project & Location:	
Model Number:	Qty:



LVRD2 Verge® Wash Basin – LVR-Series

- ADA and TAS Compliant
- Serves One or Two Users at a Time
- Standard Lavatory Spacing on 30" Centers
- Elongated Basin is Constructed of Evero® Natural Quartz Surface
- Select a Bradley Faucet or Faucet by Others
- Available in a variety of colors

Specifications

Accommodates one or two users. The units handle washroom traffic quickly and economically, while providing each user with personal space. The Verge® Wash Basin is designed with standard lavatory spacing positioned on 30" centers.

Construction

Basin

Evero Geo Series is a natural quartz surface made from a blend of bio-based resin, natural quartz, granite and other exotic minerals. It is made of 25% recycled content.

Evero Pearl Series is a natural quartz surface made with bio-based resin, sea shells, recycled glass and natural quartz. It is made of 70% recycled content.

Variations in the natural stone color, pattern, size, shape and shade are inherent. Due to these unique characteristics, please expect subtle shade variations when units are installed adjacent to each other.

Access Panel

Panel is composed of decorative 300 series stainless steel.

Support Frame

Basin assembly and access panel are secured to a heavy gauge stainless steel support frame mounted to wall.

Vandal Resistance

Water supplies, valves, waste assembly and other optional items are concealed within the panel/frame.

Faucet Options

There are several hands-free faucet options available with the Verge Wash Basin. Choose from CAP-DCA, IR-DCD, or IR-DCG. For more information on these standard faucet options and plug-in adapters, please enter the model number in the search box at www.bradleycorp.com. 4" Centerset and Centershank faucet hole drillings are available for faucets by others.

Code Compliance and Certifications

ANSI Standards

Evero Natural Quartz Surface meets the requirements of CSA B45.5/IAPMO Z124.

cUPC Approval

Verge Wash Basin is Uniform Plumbing Code (UPC), International Plumbing Code (IPC) and National Plumbing Code of Canada (NPC) approved through the International Association of Plumbing and Mechanical Officials (IAPMO). Manufactured in compliance with IGC 156, CSA B45 Series (R08) & ASME A112.18.1/CSA B125.1.

This plumbing fixture is designed for hand washing only. It is not Intended to dispense water for human consumption through drinking or for preparation of food or beverages.

Standard product selections contained within this document are third party **CERTIFIED** to NSF/ANSI 372 meeting the Lead-Free content requirement. Any product configured with custom options will be **COMPLIANT** with NSF/ANSI 372 meeting the Lead-Free content requirement.

Protected by one or more of the following U.S. Patents: D629,877 S; D640,778 S; and D649232 S.

Page 1 of 4

4/20/2018

This information is subject to change without notice.

Bradley_Sink_Verge_LVRD2



Models (Must select one)

Model Description

- LVRD2** Verge Wash Basin – LVRD-Series, Two-Station

Standard Selections (Must select one from each category)

Faucet Type (select one)

- IR-DCG** Infrared Faucet Battery **4" SET** 4" Centerset Drilling (1-1/4" Drillings Only)
 IR-DCD Infrared Faucet Battery **SHANK** Centershank Drilling (1-1/4" Drillings Only)
 CAP-DCA Capacitive Faucet Battery

Soap Dispenser Type (select one)

- 6324-68** 32-oz. Plastic Globe, 4" Spout
 6315-KT0000 Battery IR Metering Soap Dispenser Kit (with batteries and 1,000-shot soap)
 6334 16 oz. Plastic Globe, 3-1/2" Spout
 SDO 1-1/4" Soap Drilling Only
 NSD No Soap Dispenser/No Drilling

Water Supply Type (select one)

- TMA** Navigator® Thermostatic Mixing Assembly (Hot and Cold Supplies) w/Stops and Supply Hoses
 NONE No Valve Option Selected (includes stops and supply hoses)

Color of Evero® Basin (select one)

Geo Series

- | | | |
|---|---|---|
| <input type="checkbox"/> ANDORRA Andorra | <input type="checkbox"/> EVEREST Everest | <input type="checkbox"/> MYKONOS Mykonos |
| <input type="checkbox"/> ANTARCTICA Antarctica | <input type="checkbox"/> GLACIER Glacier Bay | <input type="checkbox"/> PATAGONIA Patagonia |
| <input type="checkbox"/> BLACK-SEA Black Sea | <input type="checkbox"/> KALAHARI Kalahari | <input type="checkbox"/> SIERRA Sierra Madre |
| <input type="checkbox"/> DENALI Denali | <input type="checkbox"/> MOJAVE Mojave | <input type="checkbox"/> YUKON Yukon |

Pearl Series (available at an additional charge) (Non-cancelable, non-returnable)

- AKOYA** Akoya **BLACK-MOON** Black Moon

Access Panel Type (select one)

- STAIN** Stainless Steel

Waste Assembly Type:

- S-POLY** Single Plastic Polypropylene P-Trap
 S-CHROME Single Chrome-Plated P-Trap

Optional Selections

Faucet Adapter Type:

- PT** Plug-in adapter to convert battery operated CAP-DCA, IR-DCD or IR-DCG

Soap Adapter Type:

- P19-231F** Plug-in adapter - 6315 soap dispenser (must order as a separate line item)

For more information on Evero Natural Quartz Surface, faucets, valves, transformers, and the sensor-operated soap dispenser, please visit bradleycorp.com.



© 2018 Bradley

P.O. Box 309, Menomonee Falls, WI 53052-0309

800 BRADLEY (800 272 3539)

+1 262 251 6000

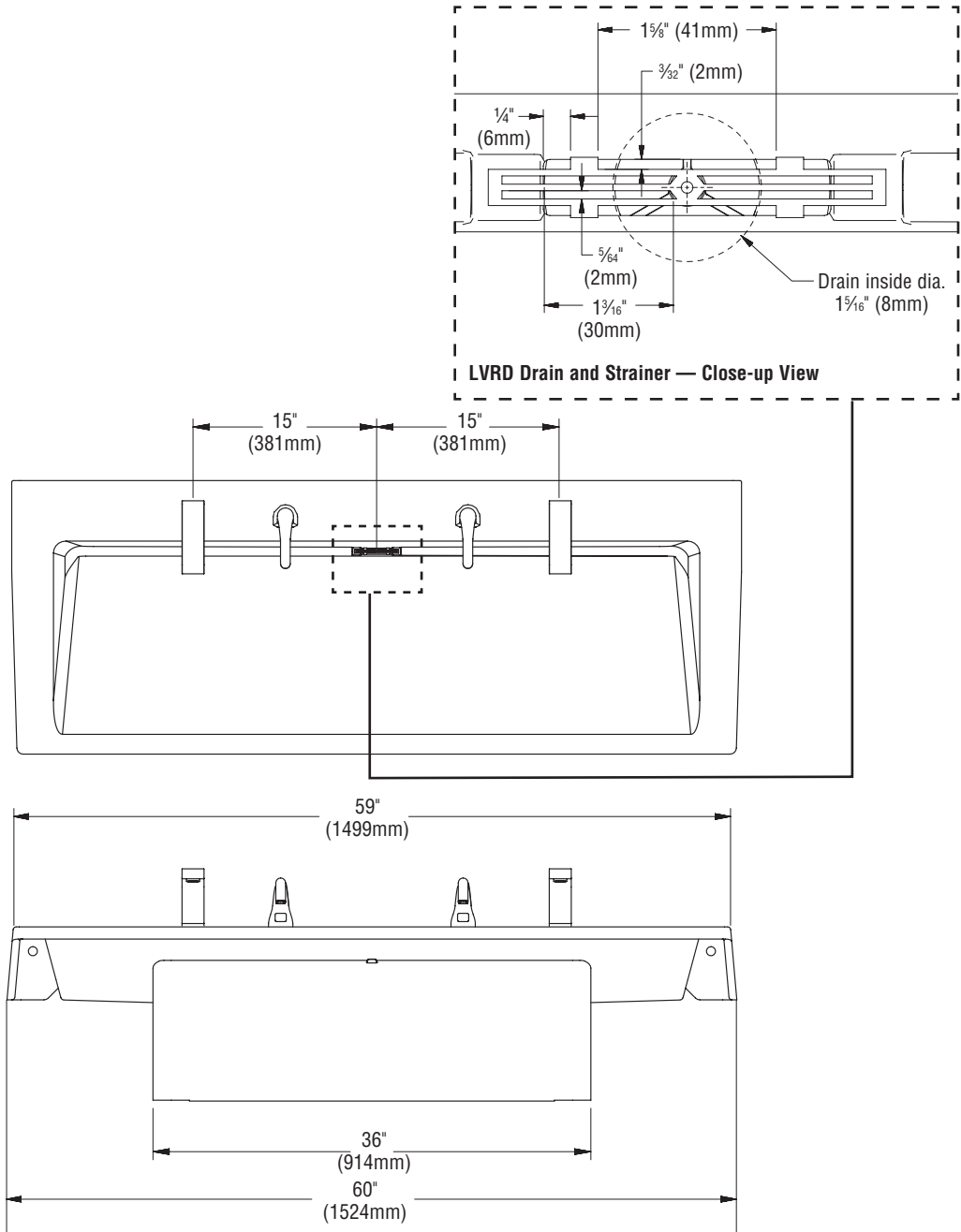
bradleycorp.com

Distributor/Wholesaler:	Date: 2/19/21
Project & Location:	
Model Number:	Qty:



LVRD2 Verge® Wash Basin – LVR-Series

Dimensions for LVRD2 Verge Wash Basin

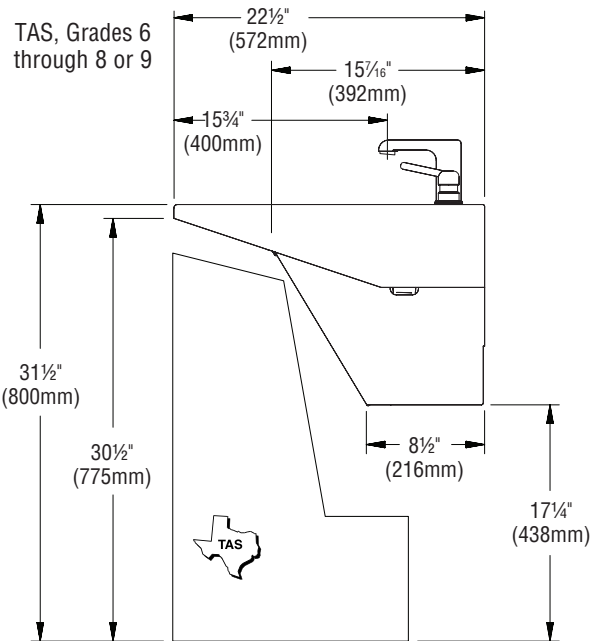
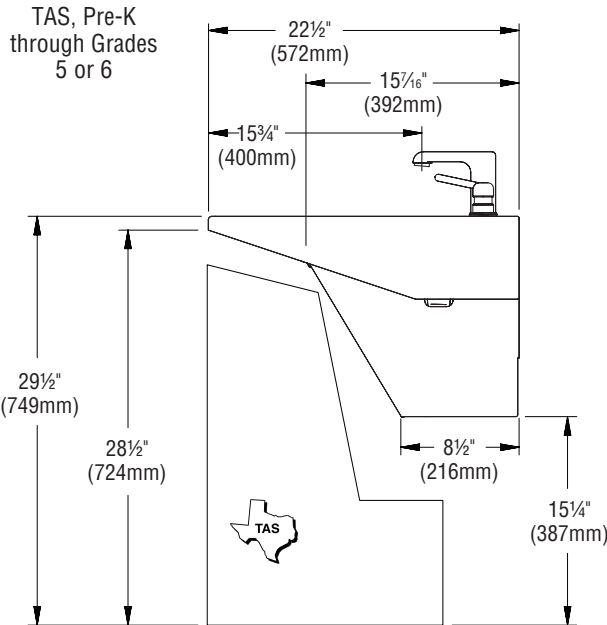
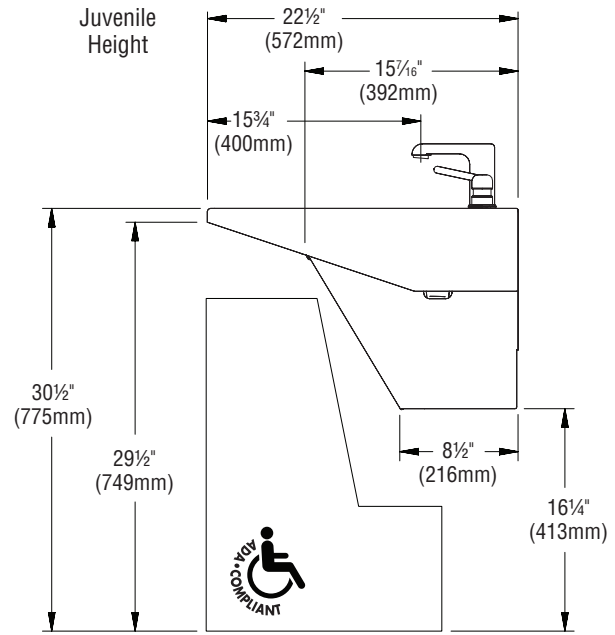
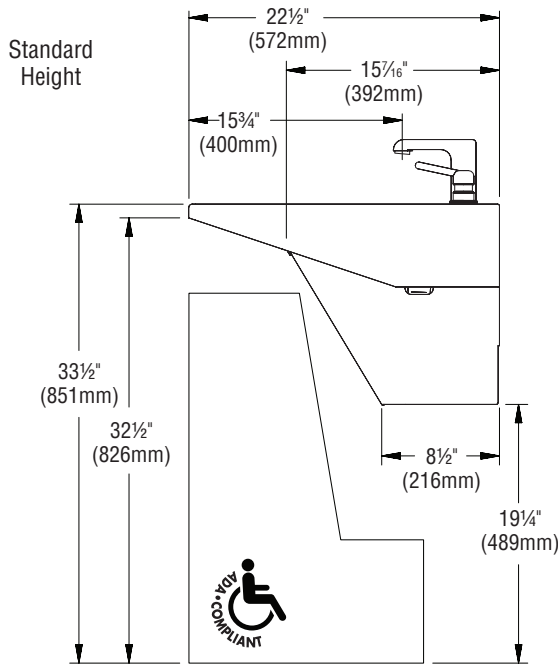


Distributor/Wholesaler:	Date: 2/19/21
Project & Location:	
Model Number:	Qty:



LVRD2 Verge® Wash Basin – LVR-Series

Dimensions for LVRD2 Verge Wash Basin



Distributor/Wholesaler:

Date: 2/19/21

Project & Location:

Model Number:

Qty:

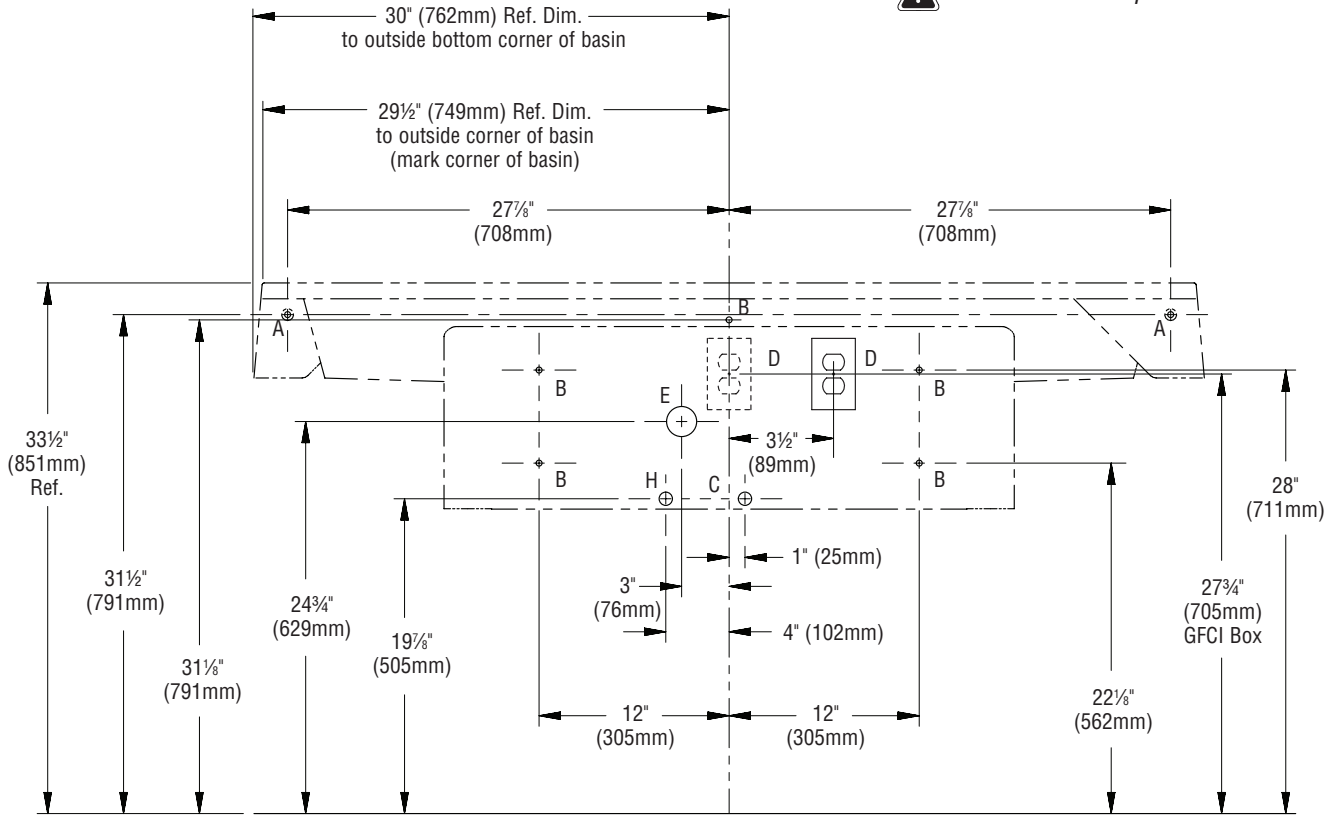


LVRD2 Verge® Wash Basin – LVR-Series

Rough-Ins for LVRD2 Verge Wash Basin

Standard rough-in shown.

Reinforce wall at points A and B.



CODE	DESCRIPTION	QTY.
A	3/8" Lav Deck Bowl Anchors with a Minimum Pull-Out Force of 1,000 lbs. (reinforce walls at anchor points)	2
B	3/8" Lav Deck Frame Anchors with a Minimum Pull-Out Force of 1,000 lbs. (reinforce walls at anchor points)	5
H, C	1/2" Hot/Cold Supplies, Stub-Out 2" From Wall	1
D	110v GFI Protected Electrical Outlet (AC faucet and soap only) <i>Two single outlets are required for CAP-DCA faucets due to the size of the transformers.</i>	2
E	1 1/2" NPT Drain, Stub-Out 2" from Wall	1

RIM HEIGHT	VERTICAL HEIGHT ADJUSTMENTS FOR CODES A-E and H	FIXTURE STYLE
33 1/2"	None	Standard Height
31 1/2"	Subtract 2"	TAS, Grades 6 through 8 or 9
29 1/2"	Subtract 4"	TAS, Pre-K through Grades 5 or 6
30 1/2"	Subtract 3"	Juvenile Height

Distributor/Wholesaler:	Date: 2/19/21
Project & Location:	
Model Number:	Qty:



- One piece plated stainless steel WashBar™ includes touch-free soap, water and hand dryer
- WashBar technology intuitively guides user and eliminates simultaneous activations
- Basin and drain engineered to evacuate water and dissipate air flow
- Single piece molded basin eliminates caulk lines and seams
- WashBar and basin system comes complete with mounting, access panel, drain assembly and plumbing connections

Specifications

The Verge LVQD1 Wash Basin is 30" in length and is designed to accommodate one user at a time with standard lavatory spacing positioned on 30" centers. The single piece All in One WashBar allows users to access soap, water and a hand dryer without leaving the hand washing station. The unit handles washroom traffic quickly and economically, while providing each user with personal space.

Construction

Basin

The basin has been designed to direct water to a trench drain and features a 300 series stainless steel drain cap. The basin and drain cap work together to evacuate water and dissipate airflow to prevent splashing on the user or floor. The basin is constructed of Evero Geo Series, a natural quartz surface made from a blend of bio-based resin, natural quartz, granite and other exotic minerals. It is made of 25% recycled content. Evero Pearl Series is a natural quartz surface made with bio-based resin, sea shells, recycled glass and natural quartz. It is made of 70% recycled content. Basin is available in all Evero colors.

Variations in the natural stone color, pattern, size, shape and shade are inherent. Due to these unique characteristics, please expect subtle shade variations when units are installed adjacent to each other.

WashBar™

All in One chrome-plated stainless steel WashBar includes touch-free soap, water and hand dryer. Load tested to 500 pounds, the WashBar is secured to the basin with two anti-rotational shanks. Blue LED lights help guide the user to the WashBar, indicating the three functions. The LED light will change from blue to green to signify that the function is in use. Each function is easily identified by the corresponding icon on the WashBar's top surface.

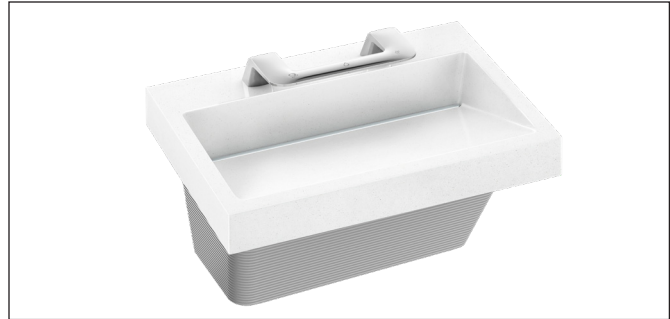
Sensors are programmed to eliminate simultaneous activations of nearby functions. Each sensor includes a turn-off delay of 1-2 seconds to aid in a smooth, controlled hand-washing and drying operation. WashBar sensors are not affected by varying skin tones or darkness. Smart technology allows the facilities manager or maintenance staff to clean and configure with ease.

Cleaning Mode

WashBar has an activation feature to put the unit into cleaning mode to allow for easy cleaning of the WashBar and basin without activating the functions.

Configuration Mode

The WashBar also has a configuration mode to identify how many cycles are on the soap, faucet and dryer. Mode also allows for dryer speed adjustment at low, medium and high levels.



Soap Dispenser

The soap dispenser is located on the left side of the WashBar. This eliminates any soap from dripping on counters or onto the floor, minimizing slip hazards and allows for easy cleaning. Choose between a foam or liquid soap dispenser, which are compatible with most bulk soaps. Soap system accommodates up to a 1 gallon container to reduce the number of soap replacements. When the LED light above the soap function turns to solid red, simply check the level and replace the soap container with a full container if necessary. The soap system includes an adapter to fit many 1 gallon soap containers available on the market.

Please visit <https://www.bradleycorp.com/maintenance/soap-dispensers> for soap recommendations.

Faucet

Faucet is located in the center of the WashBar and has a spray angle of approximately 17 degrees off the vertical. Choose either a 0.5 gpm or 0.35 gpm PCA silicone tip, non-aerated spray pattern. Maximum run time is 30 seconds. The 0.5 gpm aerator option is the equivalent to 0.25 gpc and the 0.35 gpm aerator option is the equivalent to 0.18 gpc. Automatic 5 second purge within 24 hours of the last use. Recommended operating range is 20-80 psi.

Dryer

The hand dryer is located on the right side of the WashBar, allowing users to dry their hands immediately after washing. This virtually eliminates excess water on the floor. The dryer motor provides heated air at three speeds, high-medium-low, which can be field adjusted by placing the WashBar in configuration mode. The single sided dryer will dry hands in approximately 15 seconds depending on user preference. The decibel range with hands in air stream is 76 dB (high speed) to 64 dB (low speed). The dryer motor, located behind the access panel, is cCSAus listed.

Electrical

Total rated power of each WashBar station is 1200W. Each WashBar is powered by one 12V DC adapter that plugs directly into its dryer or the electrical outlet. The WashBar and dryer motor require a properly grounded dedicated 20 amp circuit, 120V outlet. One duplex outlet is required per station to power the WashBar and dryer.

Access Panel

Minimalistic panel is composed of decorative 300 series stainless steel. Plumbing components, dryer motor, and soap tank are concealed within the panel. The new swing down access panel is designed to ease the maintenance process by eliminating tools and only requires one person for installation. Top edge of the access panel has been hemmed to reduce sharpness.

Support Bracket

Bracket design allows for flexible stud or wall blocking anchor locations. Eliminates the need for in-wall carriers and frame. System is IAPMO certified to meet or exceed ANSI load requirements.

This plumbing fixture is designed for hand washing only. It is not intended to dispense water for human consumption through drinking or for preparation of food or beverages.

© 2018 Bradley

P.O. Box 309, Menomonee Falls, WI 53052-0309
800 BRADLEY (800 272 3539) +1 262 251 6000
bradleycorp.com

Distributor/Wholesaler:	Date: 2/19/21
Project & Location:	
Model Number:	Qty:



Verge® with WashBar™ Technology – LVQ-Series

LVQD1

Models (Must select one)		
Model	Description	
<input type="checkbox"/> LVQD1	Verge with WashBar Technology – LVQ-Series, One-Station	
Standard Selections (Must select one from each category)		
WashBar Type (select one)		
<input type="checkbox"/> WB1	Chrome-Plated WashBar with Infrared Control	
Aerator Type (select one)		
<input type="checkbox"/> A35	0.35 gpm PCA Silicone Tip, Non-Aerated	
<input type="checkbox"/> A50	0.50 gpm PCA Silicone Tip, Non-Aerated	
Soap Type (select one)		
<input type="checkbox"/> FSD	Foam Soap Dispenser - 1 gallon soap container by others	
<input type="checkbox"/> LSD	Liquid Soap Dispenser - 1 gallon soap container by others	
Hand Dryer Type (select one)		
<input type="checkbox"/> HD1	DC Motor 120v/60hz, 20 Amp	
Trench Drain Cap Type (select one)		
<input type="checkbox"/> DR1	Stainless Steel Trench Drain Cap	
Water Supply Type (select one)		
<input type="checkbox"/> TMA	Navigator® Thermostatic Mixing Assembly w/Stops and Hot and Cold Supply Hoses	
<input type="checkbox"/> NONE	Single Tempered Line Assembly (Supply Hoses and Shut-Offs included)	
Color of Evero® Basin (select one)		
<i>Geo Series</i>		
<input type="checkbox"/> ANDORRA Andorra	<input type="checkbox"/> EVEREST Everest	<input type="checkbox"/> MYKONOS Mykonos
<input type="checkbox"/> ANTARCTICA Antarctica	<input type="checkbox"/> GLACIER Glacier Bay	<input type="checkbox"/> PATAGONIA Patagonia
<input type="checkbox"/> BLACK-SEA Black Sea	<input type="checkbox"/> KALAHARI Kalahari	<input type="checkbox"/> SIERRA Sierra Madre
<input type="checkbox"/> DENALI Denali	<input type="checkbox"/> MOJAVE Mojave	<input type="checkbox"/> YUKON Yukon
<i>Pearl Series (available at an additional charge) (Non-cancelable, non-returnable)</i>		
<input type="checkbox"/> AKOYA Akoya	<input type="checkbox"/> BLACK-MOON Black Moon	
Access Panel Type (select one)		
<input type="checkbox"/> STAIN	Swing Down Stainless Steel	
Access Panel Fastener Type (select one)		
<input type="checkbox"/> TS	Thumb Screw	
<input type="checkbox"/> VS	Vandal Resistant Screw	
<input type="checkbox"/> CL	Cam Lock	
Waste Assembly Type (select one)		
<input type="checkbox"/> S-POLY	Single Polypropylene P-Trap	
<input type="checkbox"/> S-CHROME	Single Chrome Plated P-Trap	

Strainer and Drain Assembly System

Strainer and drain assembly system comes complete with 300 series stainless steel trench drain cap, tailpiece and polypropylene p-trap. Optional chrome plated p-trap available. The multi-station system is configured with one drain and one set of supplies to reduce the cost associated with individual drains and supplies.

Mounting Heights

Standard Height Mounting

The standard height hand washing stations are to be mounted with a 33-1/2" rim height to comply with ADA/TAS reaches and clearances.

Juvenile Height Mounting

The juvenile height hand washing stations are designed to be mounted at 30-1/2" rim height to comply with ADA/TAS reaches and clearances.

Code Compliance and Certifications

ANSI Standards

Evero Natural Quartz Surface meets the requirements of CSA B45.5/IAPMO Z124.

cUPC Approval

Verge Lavatory is Uniform Plumbing Code (UPC), International Plumbing Code (IPC) and National Plumbing Code of Canada (NPC) approved through the International Association of Plumbing and Mechanical Officials (IAPMO). Manufactured in compliance with IGC 127-2014 Combined Hand Washing Systems, IGC 156, CSA B45 Series (R08) & ASME A112.18.1/CSA B125.1.



Standard product selections contained within this document are third party **CERTIFIED** to NSF/ANSI 372 meeting the Lead-Free content requirement. Any product configured with custom options will be **COMPLIANT** with NSF/ANSI 372 meeting the Lead-Free content requirement.



Distributor/Wholesaler:

Date: 2/19/21

Project & Location:

Model Number:

Qty:

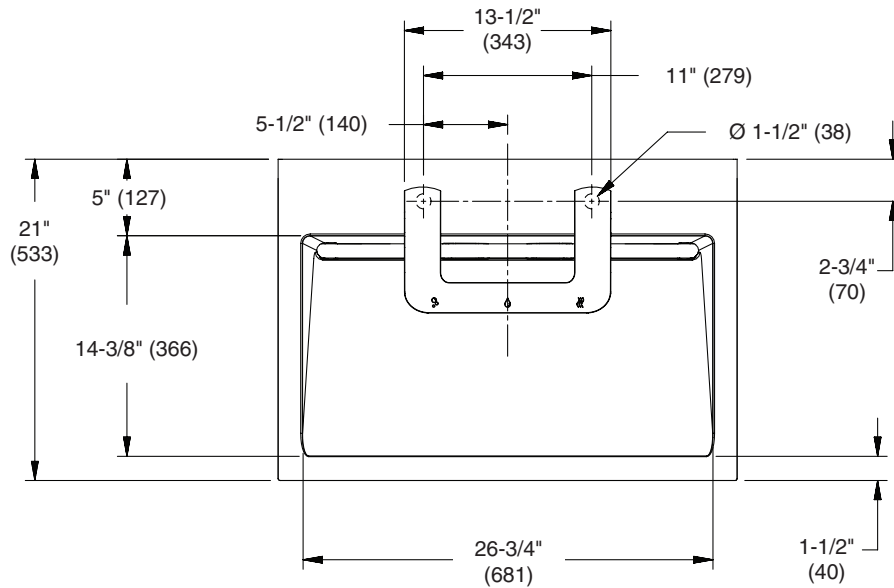


LVQD1 Verge® with WashBar™ Technology – LVQ-Series

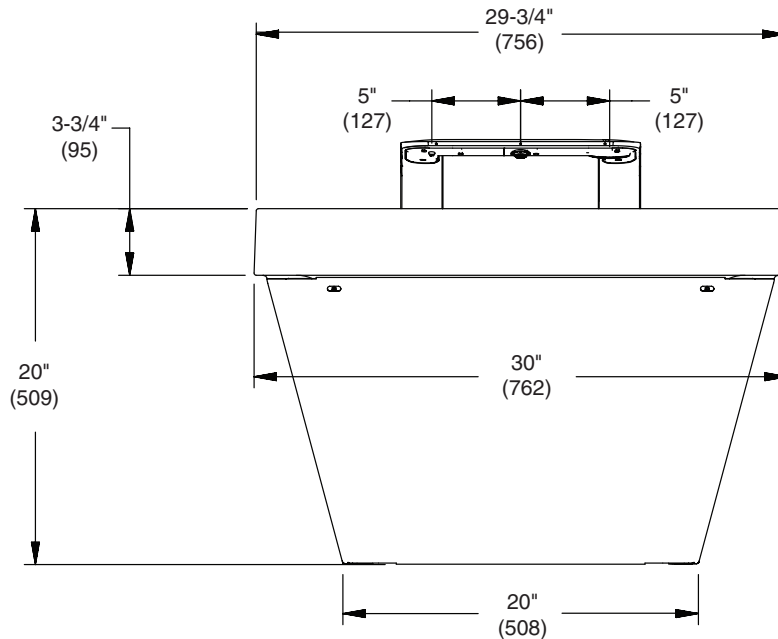
Dimensions for LVQD1 Wash Basin

(mm)

Top View



Front View



Distributor/Wholesaler:	Date: 2/19/21
Project & Location:	
Model Number:	Qty:



LVQD1

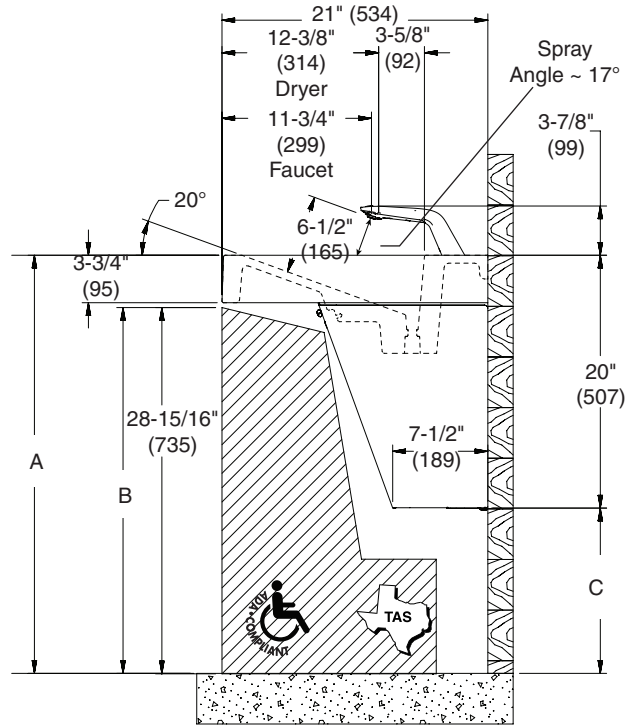
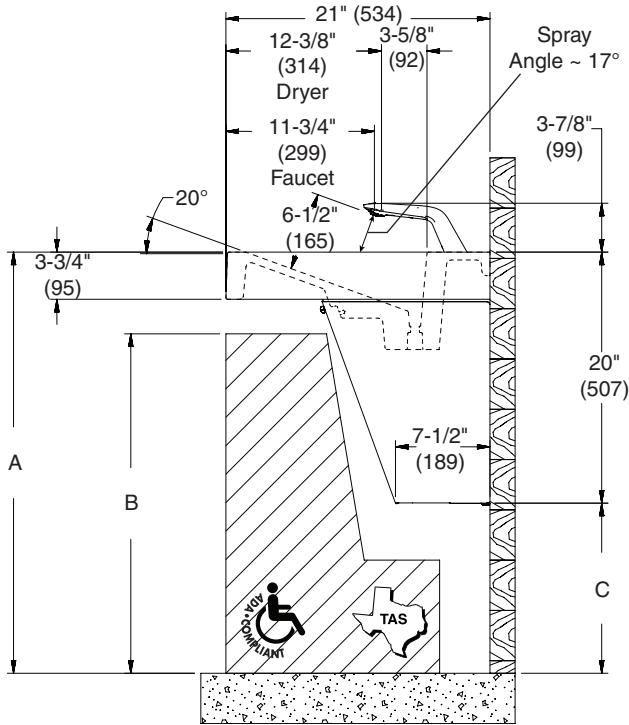
Verge® with WashBar™ Technology – LVQ-Series

Dimensions for LVQD1 Wash Basin

(mm)

Side View

Side View - Canadian Standards



	ADA/TAS Standard Height	ADA/TAS Juvenile Height (Children 6-12 years)
Dim A	33-1/2" (851mm)	30-1/2" (775mm)
Dim B	27" (686mm)	24" (610mm)
Dim C	13-1/2" (343mm)	10-1/2" (267mm)

	CSA Standard Height
Dim A	33-1/2" (851mm)
Dim B	29-29/32" (760mm)
Dim C	13-1/2" (536mm)

Distributor/Wholesaler:	Date: 2/19/21
Project & Location:	
Model Number:	Qty:



LVQD1

Verge® with WashBar™ Technology – LVQ-Series

Structural Rough-Ins for LVQD1 Wash Basin



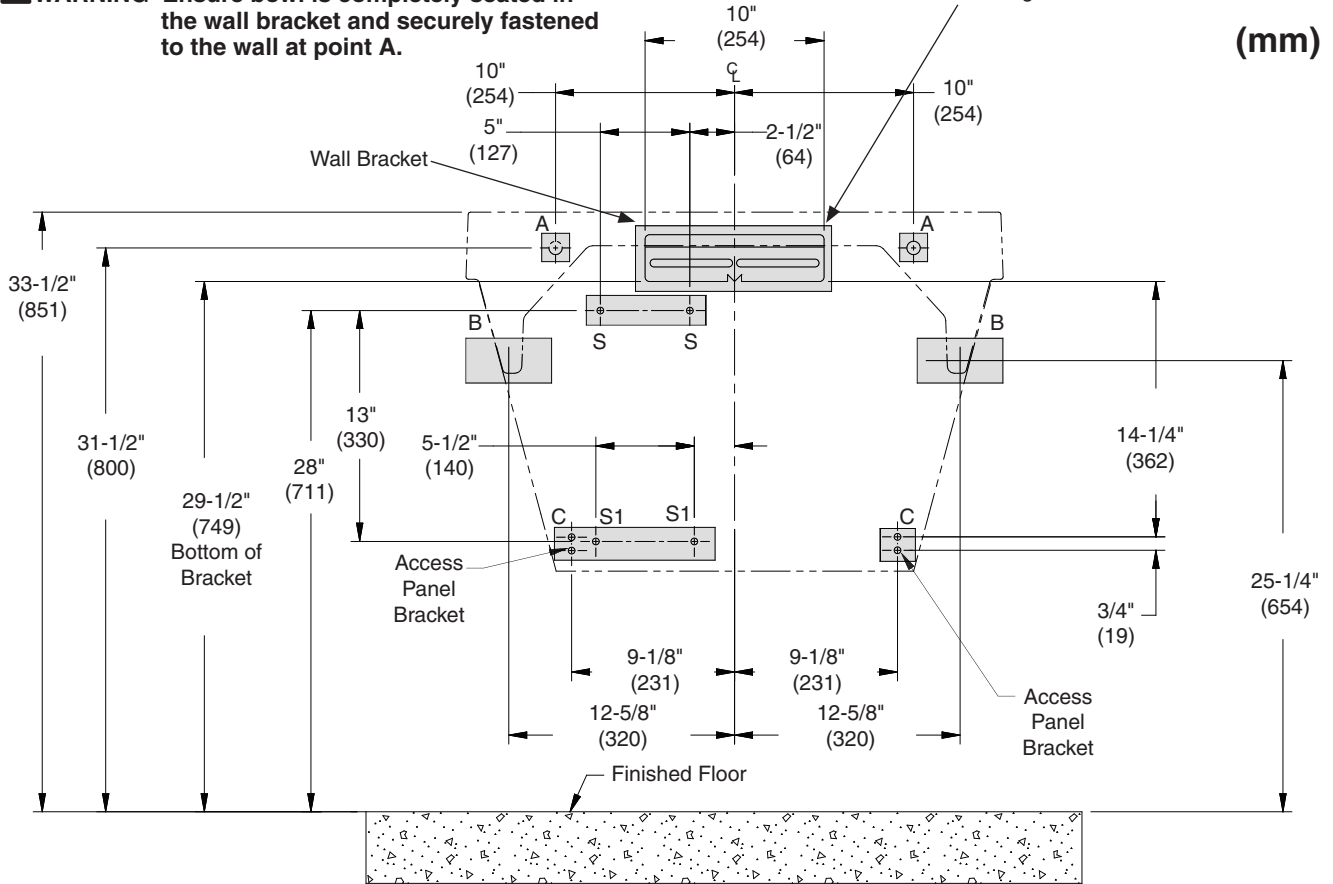
Mounting for Standard, ADA and TAS height shown.



Points A, B and C require sufficient backing compliant with local building codes.

⚠ WARNING Ensure bowl is completely seated in the wall bracket and securely fastened to the wall at point A.

Secure bracket to wall using min. 3/8" anchor bolt to the left of C/L and min. 3/8" anchor bolt to the right of C/L. The anchor bolt to the right of C/L must be min. 5" apart from the anchor bolt to the left of C/L. When mounting is complete, check to ensure the bracket is level. See Step 1: Bracket Mounting for more information.



CODE	DESCRIPTION	QTY.
A	Install (1) 3/8" wall anchor with a minimum pull-out force of 1,000 lbs. per local codes at locations shown	2
B	Provide structural backing compliant with local building codes.	2
C	Install wall anchor with a minimum pull-out force of 100 lbs. per local codes at locations shown	4
S	#10 Wall Anchors for Soap Control Box Bracket	2
S1	#10 Wall Anchors for Soap Tank Bracket (100 lb pull out)	2

RIM HEIGHT	VERTICAL HEIGHT ADJUSTMENTS	FIXTURE STYLE
33½"	No Adjustment	Standard Height, ADA, TAS and CSA
30½"	Subtract 3"	Juvenile, ADA and TAS

Distributor/Wholesaler:	Date: 2/19/21
Project & Location:	
Model Number:	Qty:



LVQD1

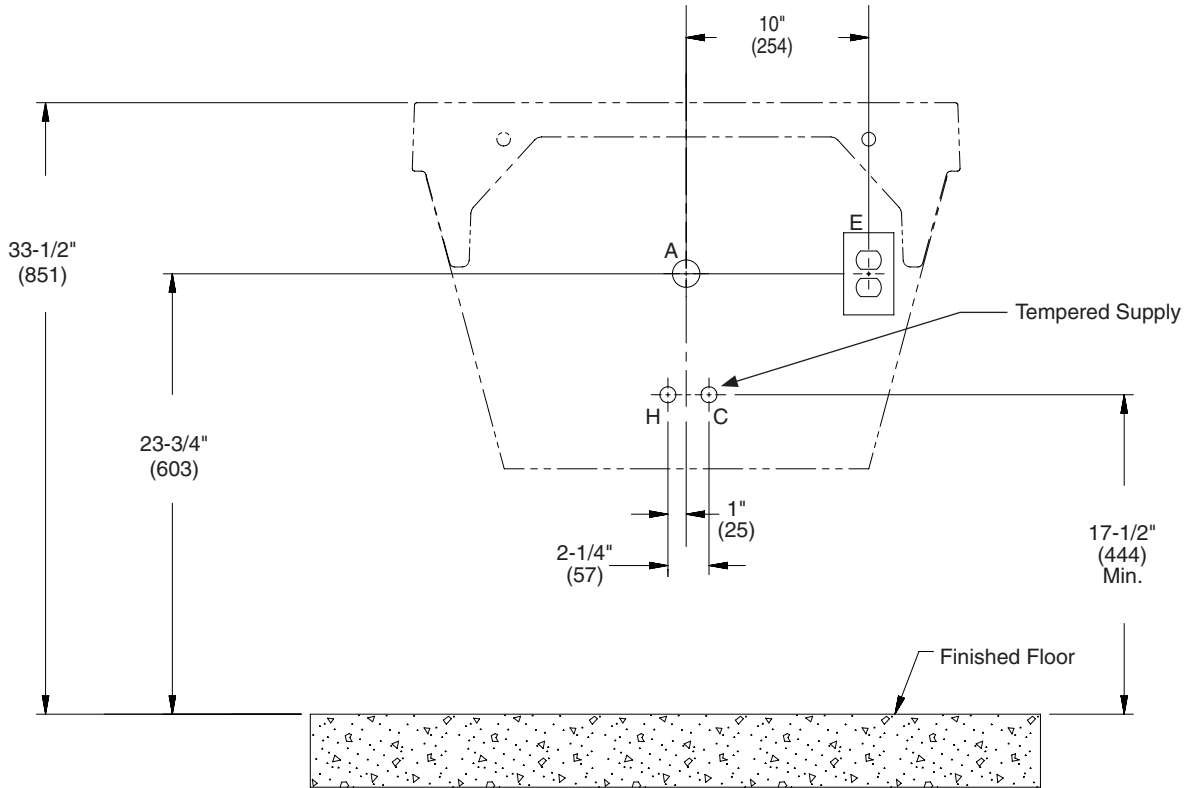
Verge® with WashBar™ Technology – LVQ-Series

Plumbing and Electrical Rough-Ins for LVQD1 Wash Basin

(mm)



Mounting for Standard, ADA and TAS height shown.



CODE	DESCRIPTION	QTY.
A	1½" NPT Drain, Stub-out 2" from wall	1
H,C	½" Nominal (5/8" O.D. Comp.) Hot/Cold supplies, Stub-out 2" from wall	1
E	110V GFI protected electrical outlet (20 amp circuit)	1

Distributor/Wholesaler:	Date: 2/19/21
Project & Location:	
Model Number:	Qty:



LVLD3

Verge® Wash Basin – LVL-Series

- Sleek, rimless design minimizes standing water
- Faucet pad allows space for user's personal items
- Single piece molded design eliminates caulk lines and seams
- Strainer design accommodates standard 4" plunger
- Unique overflow cover allows access for overflow cleaning

Specifications

Accommodates one to three users. The units handle washroom traffic quickly and economically, while providing each user with personal space. The Verge® Wash Basin is designed with standard lavatory spacing positioned on 30" centers.

Construction

Basin

Evero® Geo Series is a natural quartz surface made from a blend of bio-based resin, natural quartz, granite and other exotic minerals. It is made of 25% recycled content.

Evero Pearl Series is a natural quartz surface made with bio-based resin, sea shells, recycled glass and natural quartz. It is made of 70% recycled content.

Variations in the natural stone color, pattern, size, shape and shade are inherent. Due to these unique characteristics, please expect subtle shade variations when units are installed adjacent to each other.

Access Panel

Minimalistic panel is composed of decorative 300 series stainless steel. Water supplies, valves, waste assembly and other optional items are concealed within the panel/frame.

Support Frame

Basin assembly and access panel are secured to a heavy gauge stainless steel support frame mounted to wall.

Faucet Options

Choose from 0.35 GPM CAP-DCA, IR-DCD or IR-DCG, which have been tested for fit and performance. For more information on these standard faucet options and plug-in adapter, please enter the model number in the search box at bradleycorp.com. 4" centerset and centershank faucet drillings are available for faucets by others. To maximize handwashing space and minimize splashing, faucets by others require length from faucet base centerline to aerator centerline to be 4" to 5.5" and height from faucet base bottom to aerator bottom to be 3" to 6". Spray pattern aerators require a 0.38 GPM flow or less. 0.5 GPM aerators can be laminar or aerated flow.

Code Compliance and Certifications

Enhanced Reach Compliant

Per 2009 International Building Code (IBC) under 1109.2.3, if there are 6 or more lavatories, at least one lavatory shall meet the 11" maximum reach depth per ICC A117.1 606.5. The L-Series is compliant when used with CAP-DCA, IR-DCD or IR-DCG faucets and 6315 soap. Faucets and soap require a 4" minimum length from faucet base centerline to aerator centerline for compliance.

ANSI Standards

Evero Natural Quartz Surface meets the requirements of CSA B45.5/IAPMO Z124.

cUPC Approval

Verge Wash Basin is Uniform Plumbing Code (UPC), International Plumbing Code (IPC) and National Plumbing Code of Canada (NPC) approved through the International Association of Plumbing and Mechanical Officials (IAPMO). Manufactured in compliance with IGC 156, CSA B45 Series (R08) & ASME A112.18.1/CSA B125.1.

This plumbing fixture is designed for hand washing only. It is not Intended to dispense water for human consumption through drinking or for preparation of food or beverages.

Page 1 of 4 4/19/2018
This information is subject to change without notice.
Bradley_Sink_Verge_LVLD3



Patents Pending

Models (Must select one)

- | Model | Description |
|--------------------------------|--|
| <input type="checkbox"/> LVLD3 | Verge Wash Basin – L-Series, Three-Station |

Standard Selections (Must select one from each category)

Faucet Type (select one)

- | | | | |
|----------------------------------|---------------------------|---------------------------------|---|
| <input type="checkbox"/> IR-DCG | Infrared Faucet Battery | <input type="checkbox"/> 4" SET | 4" Centerset Drilling (1-1/4" Drillings Only) |
| <input type="checkbox"/> IR-DCD | Infrared Faucet Battery | <input type="checkbox"/> SHANK | Centershank Drilling (1-1/4" Drillings Only) |
| <input type="checkbox"/> CAP-DCA | Capacitive Faucet Battery | | |

Soap Dispenser Type (select one)

- | | |
|--------------------------------------|---|
| <input type="checkbox"/> 6324-68 | 32-oz. Plastic Globe, 4" Spout |
| <input type="checkbox"/> 6315-KT0000 | Battery IR Metering Soap Dispenser Kit (with batteries and 1,000-shot soap) |
| <input type="checkbox"/> 6334 | 16 oz. Plastic Globe, 3-1/2" |
| <input type="checkbox"/> SDO | 1-1/4" Soap Drilling Only |
| <input type="checkbox"/> NSD | No Soap Dispenser/No Drilling |

Water Supply Type (select one)

- | | |
|-------------------------------|--|
| <input type="checkbox"/> TMA | Navigator® Thermostatic Mixing Assembly (Hot and Cold Supplies) w/Stops and Supply Hoses |
| <input type="checkbox"/> NONE | No Valve Option Selected (includes stops and supply hoses) |

Color of Evero® Basin (select one)

Geo Series

- | | | | | | |
|-------------------------------------|------------|-----------------------------------|-------------|------------------------------------|--------------|
| <input type="checkbox"/> ANDORRA | Andorra | <input type="checkbox"/> EVEREST | Everest | <input type="checkbox"/> MYKONOS | Mykonos |
| <input type="checkbox"/> ANTARCTICA | Antarctica | <input type="checkbox"/> GLACIER | Glacier Bay | <input type="checkbox"/> PATAGONIA | Patagonia |
| <input type="checkbox"/> BLACK-SEA | Black Sea | <input type="checkbox"/> KALAHARI | Kalahari | <input type="checkbox"/> SIERRA | Sierra Madre |
| <input type="checkbox"/> DENALI | Denali | <input type="checkbox"/> MOJAVE | Mojave | <input type="checkbox"/> YUKON | Yukon |

Pearl Series (available at an additional charge) (Non-cancelable, non-returnable)

- | | | | |
|--------------------------------|-------|-------------------------------------|------------|
| <input type="checkbox"/> AKOYA | Akoya | <input type="checkbox"/> BLACK-MOON | Black Moon |
|--------------------------------|-------|-------------------------------------|------------|

Access Panel Type (select one)

- | | |
|--------------------------------|-----------------|
| <input type="checkbox"/> STAIN | Stainless Steel |
|--------------------------------|-----------------|

Waste Assembly Type:

- | | |
|-----------------------------------|-------------------------------------|
| <input type="checkbox"/> S-POLY | Single Plastic Polypropylene P-Trap |
| <input type="checkbox"/> S-CHROME | Single Chrome-Plated P-Trap |

Optional Selections

Faucet Adapter Type:

- | | |
|-----------------------------|---|
| <input type="checkbox"/> PT | Plug-in adapter to convert battery operated CAP-DCA, IR-DCD or IR-DCG |
|-----------------------------|---|

Soap Adapter Type:

- | | |
|-----------------------------------|--|
| <input type="checkbox"/> P19-231F | Plug-in adapter - 6315 soap dispenser (must order as a separate line item) |
|-----------------------------------|--|

For more information on Evero Natural Quartz Surface, faucets, valves, transformers, and the soap dispensers, please visit bradleycorp.com.

Standard product selections contained within this document are third party **CERTIFIED** to NSF/ANSI 372 meeting the Lead-Free content requirement. Any product configured with custom options will be **COMPLIANT** with NSF/ANSI 372 meeting the Lead-Free content requirement.



© 2018 Bradley

P.O. Box 309, Menomonee Falls, WI 53052-0309
800 BRADLEY (800 272 3539) +1 262 251 6000
bradleycorp.com

Distributor/Wholesaler:

Date: 2/19/21

Project & Location:

Model Number:

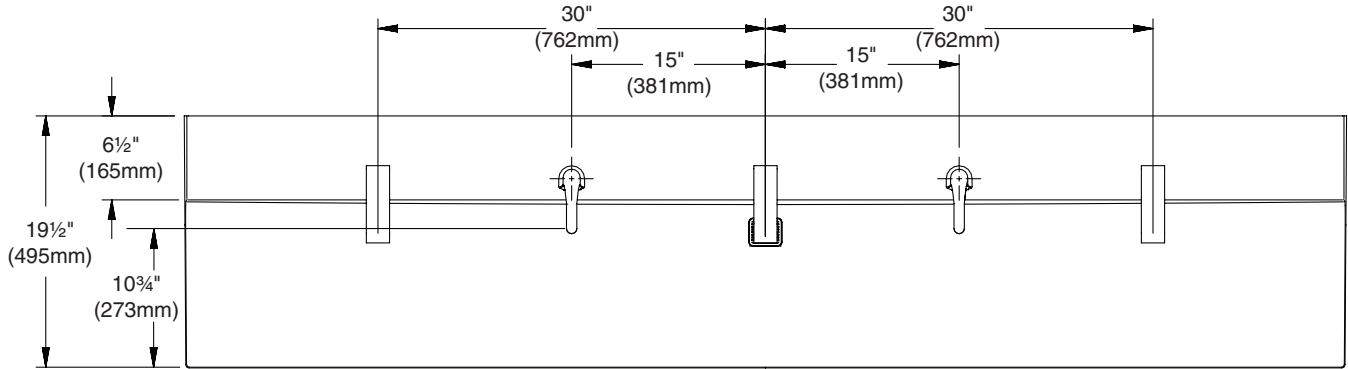
Qty:



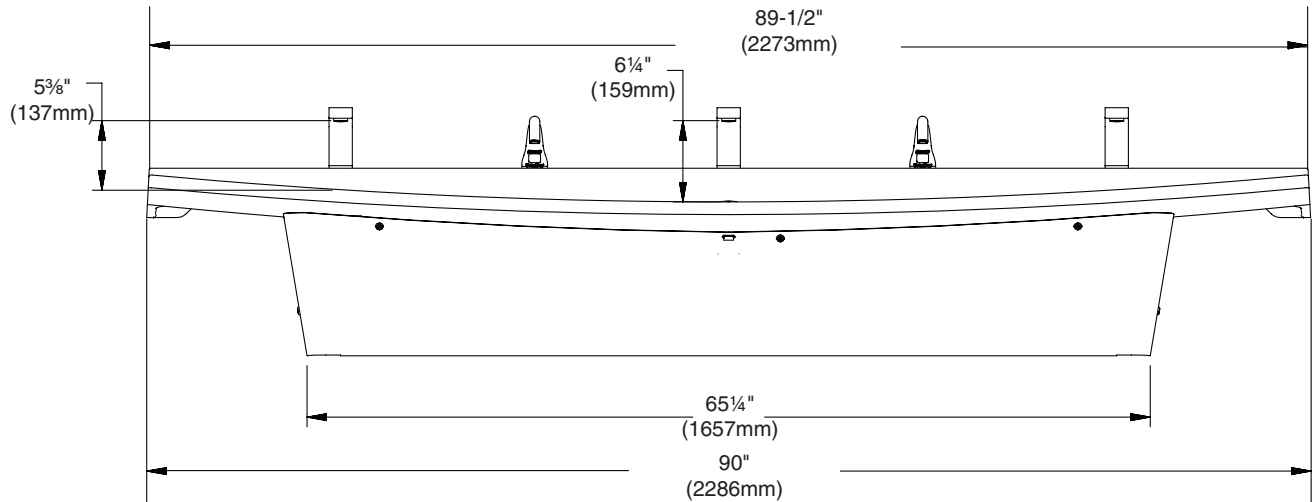
LVLD3 Verge® Wash Basin – LVL-Series

Dimensions for LVLD3 Verge Wash Basin (Shown with CAP-DCA Faucet and 6315 Soap)

Top View



Front View



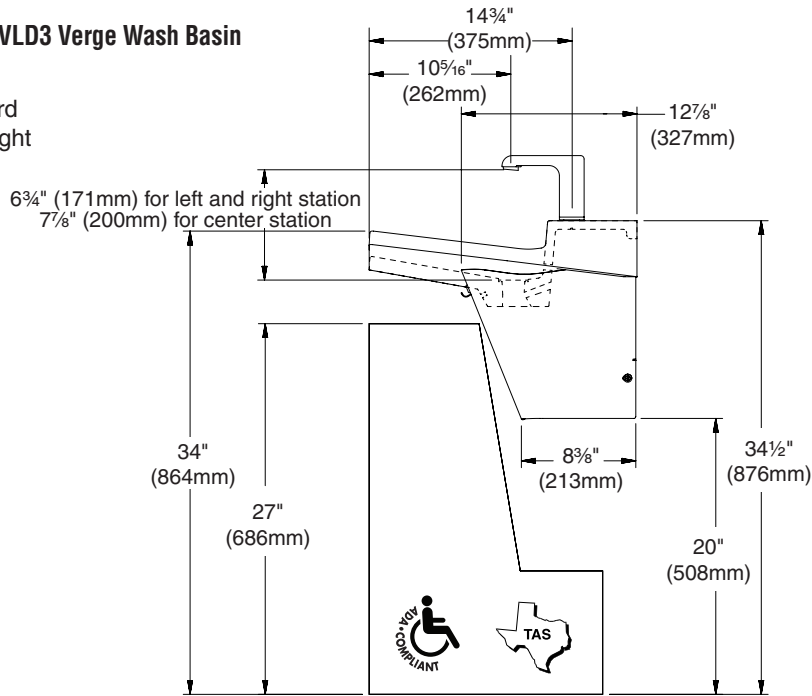
Distributor/Wholesaler:	Date: 2/19/21
Project & Location:	
Model Number:	Qty:



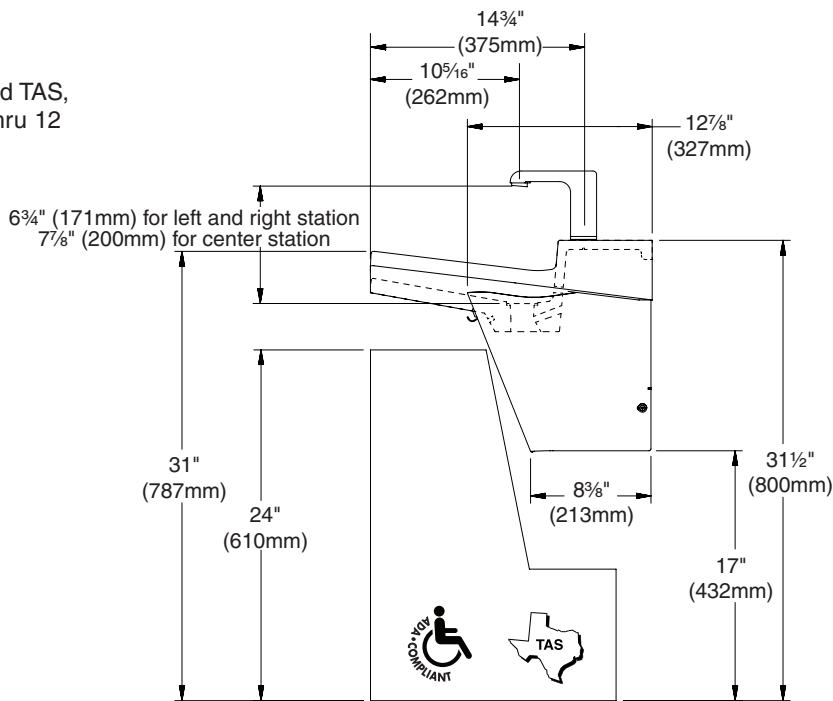
LVLD3 Verge® Wash Basin – LVL-Series

Dimensions for LVLD3 Verge Wash Basin

ADA Standard
and TAS Height



Juvenile and TAS,
Grades 6 thru 12



Distributor/Wholesaler:

Date: 2/19/21

Project & Location:

Model Number:

Qty:

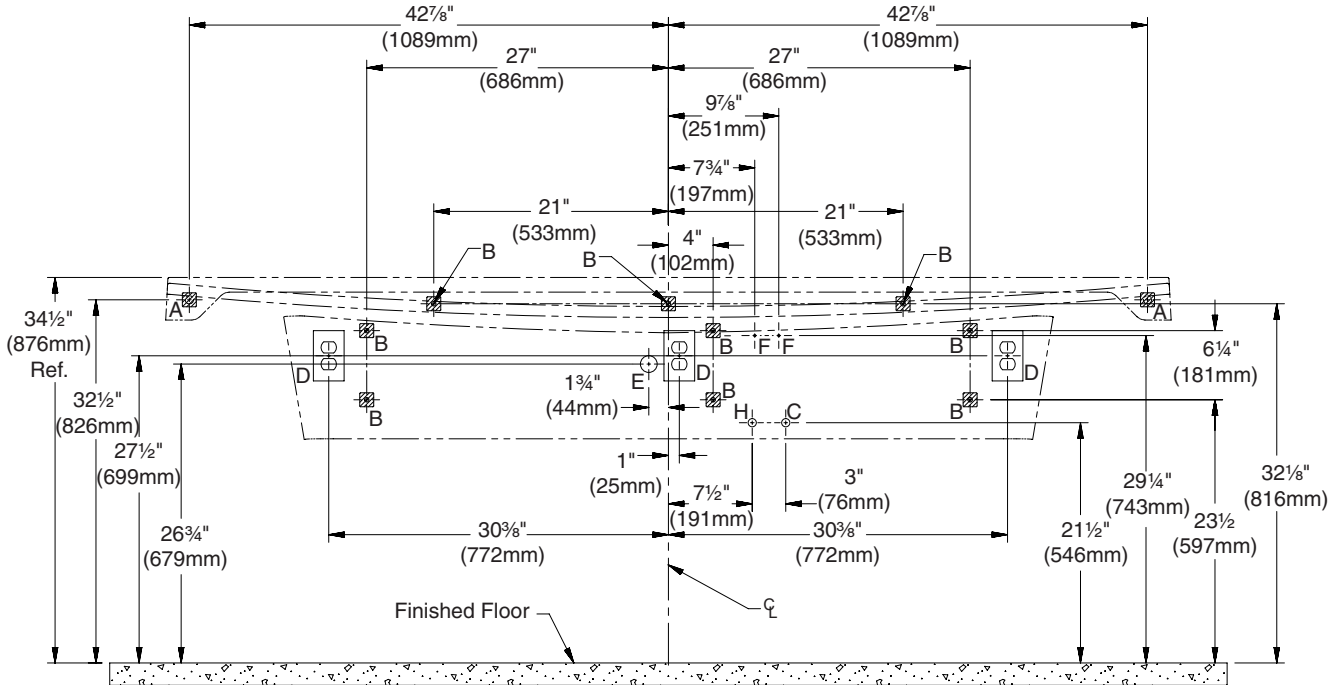


LVLD3 Verge® Wash Basin – LVL-Series

Rough-Ins for LVLD3 Verge Wash Basin

Standard rough-in shown.

Reinforce wall at points A and B.



CODE	DESCRIPTION	QTY.
A	3/8" Bowl Anchors with a Minimum Pull-Out Force of 1,000 lbs. (reinforce walls at anchor points)	2
B	3/8" Frame Anchors with a Minimum Pull-Out Force of 1,000 lbs. (reinforce walls at anchor points)	9
H, C	1/2" Hot/Cold Supplies, Stub-Out 2" From Wall	1
D	110v GFI Protected Electrical Outlet (AC faucet and soap only)	3
E	1 1/2" NPT Drain, Stub-Out 2" from Wall	1
F	#10 Anchors for Valve Bracket Installation	2

RIM HEIGHT	VERTICAL HEIGHT ADJUSTMENTS FOR CODES A–E and H	FIXTURE STYLE
34"	None	Standard Height, ADA and TAS
31"	Subtract 3"	ADA Juvenile and TAS, Grades 6 thru 12

Distributor/Wholesaler:	Date: 2/19/21
Project & Location:	
Model Number:	Qty:



- One piece plated stainless steel WashBar™ includes touch-free soap, water and hand dryer
- WashBar technology intuitively guides user and eliminates simultaneous activations
- Basin and drain engineered to evacuate water and dissipate air flow
- Single piece molded basin eliminates caulk lines and seams
- WashBar and basin system comes complete with mounting, access panel, drain assembly and plumbing connections

Specifications

The Verge LVQD3 Wash Basin is 90" in length and is designed to accommodate one to three users at a time with standard lavatory spacing positioned on 30" centers. The single piece All in One WashBar allows users to access soap, water and a hand dryer without leaving the hand washing station. The unit handles washroom traffic quickly and economically, while providing each user with personal space.

Construction

Basin

The basin has been designed to direct water to a trench drain and features a 300 series stainless steel drain cap. The basin and drain cap work together to evacuate water and dissipate airflow to prevent splashing on the user or floor. The basin is constructed of Evero Geo Series, a natural quartz surface made from a blend of bio-based resin, natural quartz, granite and other exotic minerals. It is made of 25% recycled content. Evero Pearl Series is a natural quartz surface made with bio-based resin, sea shells, recycled glass and natural quartz. It is made of 70% recycled content. Basin is available in all Evero colors.

☑ Variations in the natural stone color, pattern, size, shape and shade are inherent. Due to these unique characteristics, please expect subtle shade variations when units are installed adjacent to each other.

WashBar™

All in One chrome-plated stainless steel WashBar includes touch-free soap, water and hand dryer. Load tested at 500 pounds, the WashBar is secured to the basin with two anti-rotational shanks. Blue LED lights help guide the user to the WashBar, indicating the three functions. The LED light will change from blue to green to signify that the function is in use. Each function is easily identified by the corresponding icon on the WashBar's top surface.

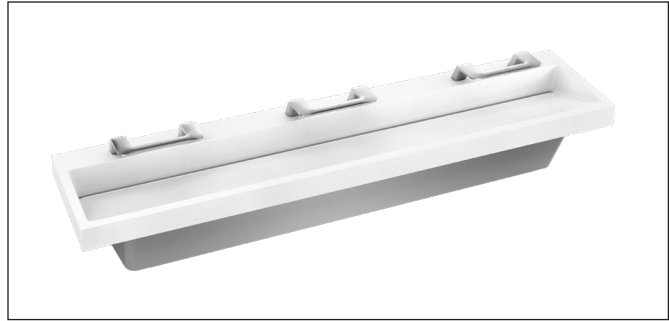
Sensors are programmed to eliminate simultaneous activations of nearby functions. Each sensor includes a turn-off delay of 1-2 seconds to aid in a smooth, controlled hand-washing and drying operation. WashBar sensors are not affected by varying skin tones or darkness. Smart technology allows the facilities manager or maintenance staff to clean and configure with ease.

Cleaning Mode

WashBar has an activation feature to put the unit into cleaning mode to allow for easy cleaning of the WashBar and basin without activating the functions.

Configuration Mode

The WashBar also has a configuration mode to identify how many cycles are on the soap, faucet and dryer. Mode also allows for dryer speed adjustment at low, medium and high levels.



Soap Dispenser

The soap dispenser is located on the left side of the WashBar. This eliminates any soap from dripping on counters or onto the floor, minimizing slip hazards and allows for easy cleaning. Choose between a foam or liquid soap dispenser, which are compatible with most bulk soaps. Soap system accommodates up to a 1 gallon container to reduce the number of soap replacements. When the LED light above the soap function turns to solid red, simply check the level and replace the soap container with a full container if necessary. The soap system includes an adapter to fit many 1 gallon soap containers available on the market.

Please visit <https://www.bradleycorp.com/maintenance/soap-dispensers> for soap recommendations.

Faucet

Faucet is located in the center of the WashBar and has a spray angle of approximately 17° off the vertical. Choose either a 0.5 gpm or 0.35 gpm PCA silicone tip, non-aerated spray pattern. Maximum run time is 30 seconds. The 0.5 gpm aerator option is the equivalent to 0.25 gpc and the 0.35 gpm aerator option is the equivalent to 0.18 gpc. Automatic 5 second purge within 24 hours of the last use. Recommended operating range is 20-80 psi.

Dryer

The hand dryer is located on the right side of the WashBar, allowing users to dry their hands immediately after washing. This virtually eliminates excess water on the floor. The dryer motor provides heated air at three speeds, high-medium-low, which can be field adjusted by placing the WashBar in configuration mode. The single sided dryer will dry hands in approximately 15 seconds depending on user preference. The decibel range with hands in air stream is 76 dB (high speed) to 64 dB (low speed). The dryer motor, located behind the access panel, is cCSAus listed.

Electrical

Total rated power of each WashBar station is 1200W. Each WashBar is powered by one 12V DC adapter that plugs directly into its dryer or the electrical outlet. The WashBar and dryer motor require a properly grounded dedicated 20 amp circuit, 120V outlet. One duplex outlet is required per station to power the WashBar and dryer.

Access Panel

Minimalistic panel is composed of decorative 300 series stainless steel. Plumbing components, dryer motor, and soap tank are concealed within the panel. The new swing down access panel is designed to ease the maintenance process by eliminating tools and only requires one person for installation. Top edge of the access panel has been hemmed to reduce sharpness.

Support Bracket

Bracket design allows for flexible stud or wall blocking anchor locations. Eliminates the need for in-wall carriers and frame. System is IAPMO certified to meet or exceed ANSI load requirements.

☑ This plumbing fixture is designed for hand washing only. It is not Intended to dispense water for human consumption through drinking or for preparation of food or beverages.

© 2018 Bradley

P.O. Box 309, Menomonee Falls, WI 53052-0309
800 BRADLEY (800 272 3539) +1 262 251 6000
bradleycorp.com

Distributor/Wholesaler:	Date: 2/19/21
Project & Location:	
Model Number:	Qty:



Models (Must select one)		
Model	Description	
<input type="checkbox"/> LVQD3	Verge with WashBar Technology – LVQ-Series, Three-Station	
Standard Selections (Must select one from each category)		
WashBar Type (select one)		
<input type="checkbox"/> WB1	Chrome-Plated WashBar with Infrared Control	
Aerator Type (select one)		
<input type="checkbox"/> A35	0.35 gpm PCA Silicone Tip, Non-Aerated	
<input type="checkbox"/> A50	0.50 gpm PCA Silicone Tip, Non-Aerated	
Soap Type (select one)		
<input type="checkbox"/> FSD	Foam Soap Dispenser - 1 gallon soap container by others	
<input type="checkbox"/> LSD	Liquid Soap Dispenser - 1 gallon soap container by others	
Hand Dryer Type (select one)		
<input type="checkbox"/> HD1	DC Motor 120v/60hz, 20 Amp	
Trench Drain Cap Type (select one)		
<input type="checkbox"/> DR1	Stainless Steel Trench Drain Cap	
Water Supply Type (select one)		
<input type="checkbox"/> TMA	Navigator® Thermostatic Mixing Assembly w/Stops and Hot and Cold Supply Hoses	
<input type="checkbox"/> NONE	Single Tempered Line Assembly (Supply Hose and Shut-Offs Included)	
Color of Evero® Basin (select one)		
<i>Geo Series</i>		
<input type="checkbox"/> ANDORRA Andorra	<input type="checkbox"/> EVEREST Everest	<input type="checkbox"/> MYKONOS Mykonos
<input type="checkbox"/> ANTARCTICA Antarctica	<input type="checkbox"/> GLACIER Glacier Bay	<input type="checkbox"/> PATAGONIA Patagonia
<input type="checkbox"/> BLACK-SEA Black Sea	<input type="checkbox"/> KALAHARI Kalahari	<input type="checkbox"/> SIERRA Sierra Madre
<input type="checkbox"/> DENALI Denali	<input type="checkbox"/> MOJAVE Mojave	<input type="checkbox"/> YUKON Yukon
<i>Pearl Series (available at an additional charge) (Non-cancelable, non-returnable)</i>		
<input type="checkbox"/> AKOYA Akoya	<input type="checkbox"/> BLACK-MOON Black Moon	
Access Panel Type (select one)		
<input type="checkbox"/> STAIN	Swing Down Stainless Steel	
Access Panel Fastener Type (select one)		
<input type="checkbox"/> TS	Thumb Screw	
<input type="checkbox"/> VS	Vandal Resistant Screw	
Waste Assembly Type (select one)		
<input type="checkbox"/> S-POLY	Single Polypropylene P-Trap	
<input type="checkbox"/> S-CHROME	Single Chrome Plated P-Trap	

Strainer and Drain Assembly System

Strainer and drain assembly system comes complete with 300 series stainless steel trench drain cap, tailpiece and polypropylene p-trap. Optional chrome plated p-trap available. The multi-station system is configured with one drain and one set of supplies to reduce the cost associated with individual drains and supplies.

Mounting Heights

Standard Height Mounting

The standard height hand washing stations are to be mounted with a 33-1/2" rim height to comply with ADA/TAS reaches and clearances.

Juvenile Height Mounting

The juvenile height hand washing stations are designed to be mounted at 30-1/2" rim height to comply with ADA/TAS reaches and clearances.

Code Compliance and Certifications

ANSI Standards

Evero Natural Quartz Surface meets the requirements of CSA B45.5/IAPMO Z124.

cUPC Approval

Verge Lavatory is Uniform Plumbing Code (UPC), International Plumbing Code (IPC) and National Plumbing Code of Canada (NPC) approved through the International Association of Plumbing and Mechanical Officials (IAPMO). Manufactured in compliance with IGC 127-2014 Combined Hand Washing Systems, IGC 156, CSA B45 Series (R08) & ASME A112.18.1/CSA B125.1.



Standard product selections contained within this document are third party **CERTIFIED** to NSF/ANSI 372 meeting the Lead-Free content requirement. Any product configured with custom options will be **COMPLIANT** with NSF/ANSI 372 meeting the Lead-Free content requirement.



Distributor/Wholesaler:	Date: 2/19/21
Project & Location:	
Model Number:	Qty:

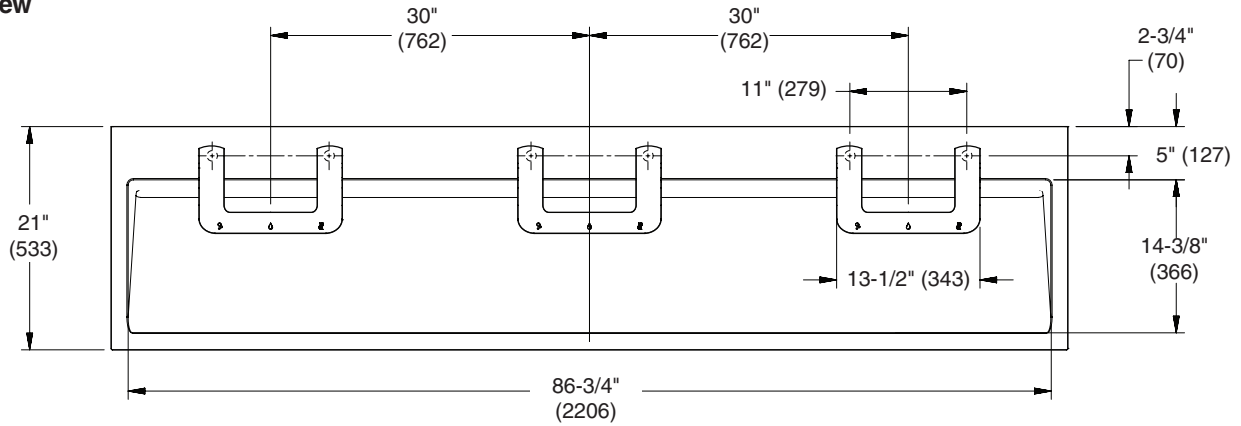


LVQD3 Verge® with WashBar™ Technology – LVQ-Series

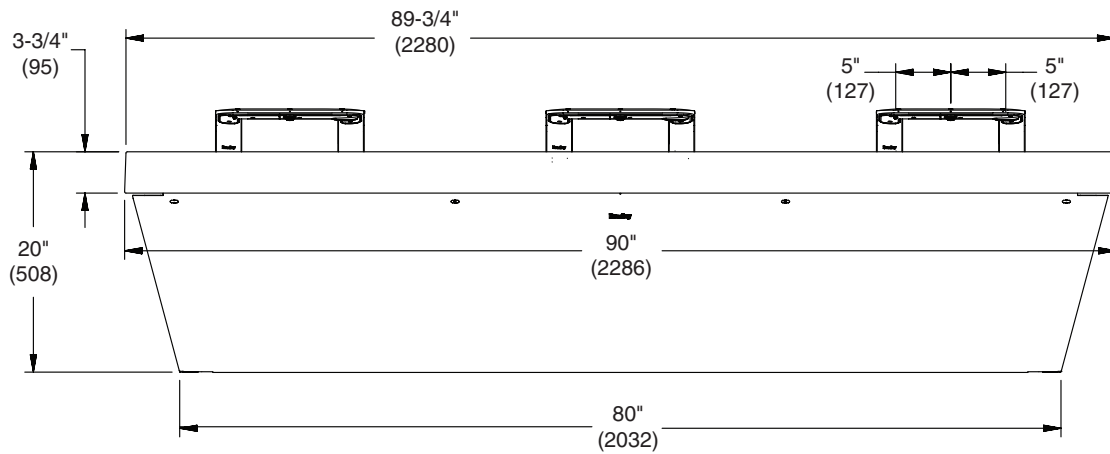
Dimensions for LVQD3 Wash Basin

(mm)

Top View



Front View



Distributor/Wholesaler:	Date: 2/19/21
Project & Location:	
Model Number:	Qty:



LVQD3

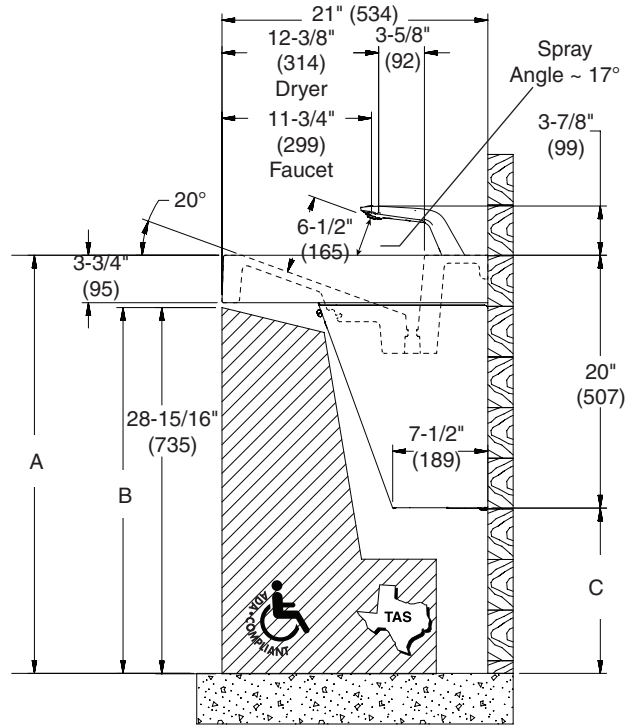
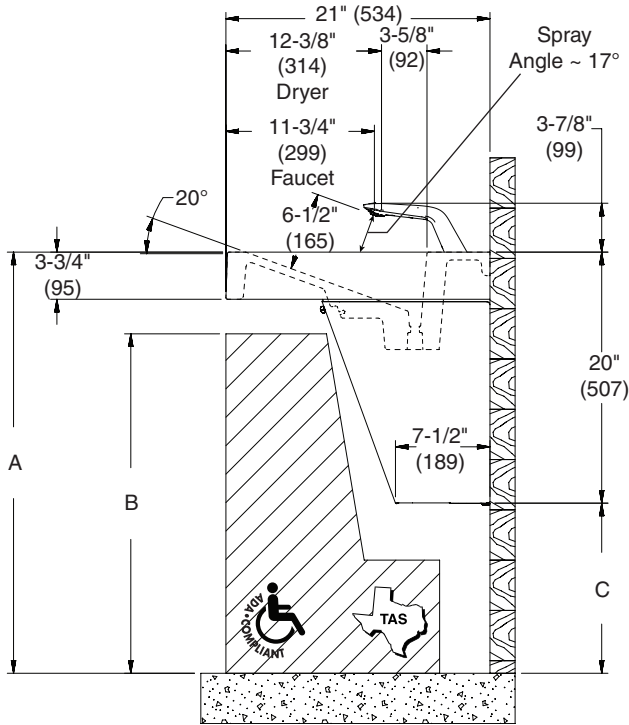
Verge® with WashBar™ Technology – LVQ-Series

Dimensions for LVQD3 Wash Basin

(mm)

Side View

Side View - Canadian Standards



	ADA/TAS Standard Height	ADA/TAS Juvenile Height (Children 6-12 years)
Dim A	33-1/2" (851mm)	30-1/2" (775mm)
Dim B	27" (686mm)	24" (610mm)
Dim C	13-1/2" (343mm)	10-1/2" (267mm)

	CSA Standard Height
Dim A	33-1/2" (851mm)
Dim B	29-29/32" (760mm)
Dim C	13-1/2" (536mm)

Distributor/Wholesaler:	Date: 2/19/21
Project & Location:	
Model Number:	Qty:



Structural Rough-Ins for LVQD3 Wash Basin



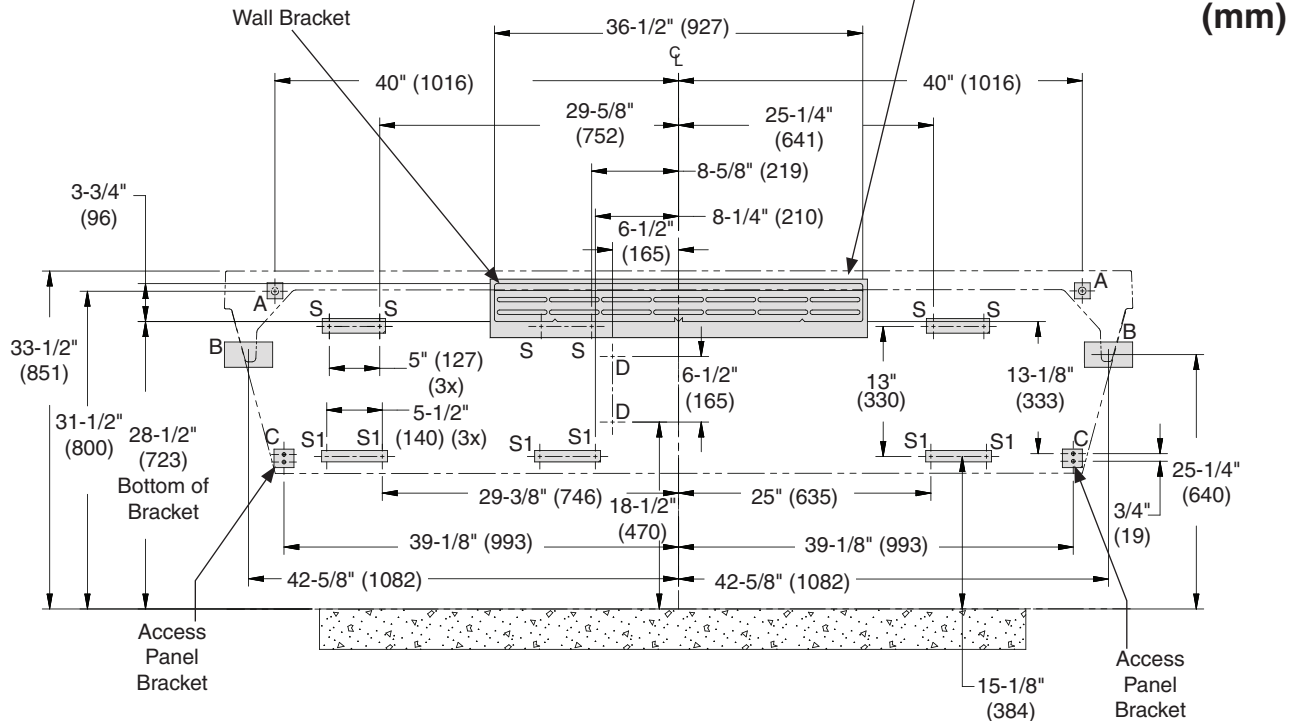
Mounting for Standard, ADA and TAS height shown.



Points A, B and C require sufficient backing compliant with local building codes.

⚠ WARNING Ensure bowl is completely seated in the wall bracket and securely fastened to the wall at point A.

Secure bracket to wall using min. (2) 3/8" anchor bolts to the left of C/L and min. (2) 3/8" anchor bolts to the right of C/L. The (2) anchor bolts to the right of C/L must be min. 16" apart from the anchor bolts to the left of C/L. When mounting is complete, check to ensure the bracket is level. See Step 1: Bracket Mounting for more information.



CODE	DESCRIPTION	QTY.
A	Install (1) 3/8" wall anchor with a minimum pull-out force of 1,000 lbs. per local codes at locations shown	2
B	Provide structural backing compliant with local building codes.	2
C	Install wall anchor with a minimum pull-out force of 100 lbs. per local codes at locations shown	2
S	#10 Wall Anchors for Soap Control Box Bracket	2
S1	#10 Wall Anchors for Soap Tank Bracket (100 lb pull out)	2

RIM HEIGHT	VERTICAL HEIGHT ADJUSTMENTS	FIXTURE STYLE
33½"	No Adjustment	Standard Height, ADA, TAS and CSA
30½"	Subtract 3"	Juvenile, ADA and TAS

Distributor/Wholesaler:	Date: 2/19/21
Project & Location:	
Model Number:	Qty:



LVQD3

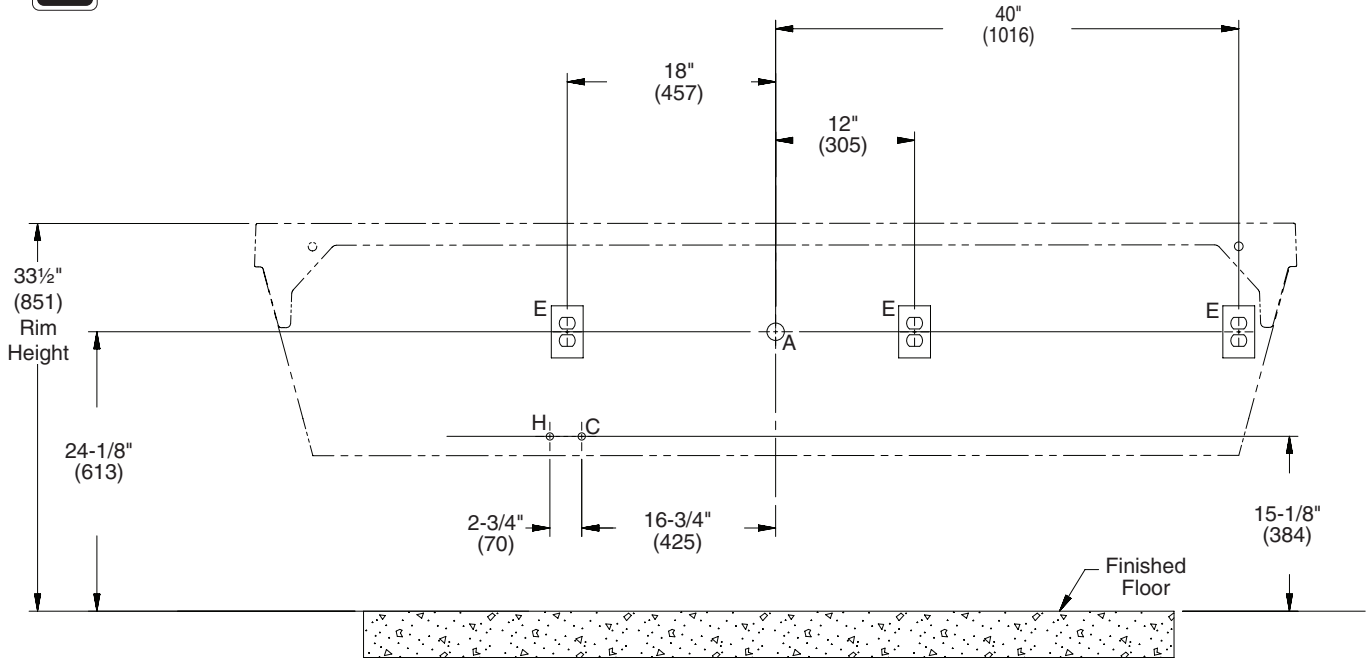
Verge® with WashBar™ Technology – LVQ-Series

Plumbing and Electrical Rough-Ins for LVQD3 Wash Basin

(mm)



Mounting for Standard, ADA and TAS height shown.



CODE	DESCRIPTION	QTY.
A	1 1/2" NPT Drain, Stub-out 2" from wall	1
H,C	1/2" Nominal (5/8" O.D. Comp.) Hot/Cold supplies, Stub-out 2" from wall	1
E	110V GFI protected electrical outlet (20 amp circuit)	3

Distributor/Wholesaler:	Date: 2/19/21
Project & Location:	
Model Number:	Qty:



LVGD3

Verge® Wash Basin – LVG-Series

- ADA and TAS Compliant
- Serves One to Three Users at a Time
- Standard Lavatory Spacing on 30" Centers
- Elongated Basin is Constructed of Evero® Natural Quartz Surface
- Select a Bradley Faucet or faucet by others
- Available in a variety of colors

Specifications

Accommodates one to three users. The units handle washroom traffic quickly and economically, while providing each user with personal space. The Verge® Wash Basin is designed with standard lavatory spacing positioned on 30" centers.

Construction

Basin

Evero Geo Series is a natural quartz surface made from a blend of bio-based resin, natural quartz, granite and other exotic minerals. It is made of 25% recycled content.

Evero Pearl Series is a natural quartz surface made with bio-based resin, sea shells, recycled glass and natural quartz. It is made of 70% recycled content.

- Variations in the natural stone color, pattern, size, shape and shade are inherent. Due to these unique characteristics, please expect subtle shade variations when units are installed adjacent to each other.

Access Panel

Panel is composed of decorative 300 series stainless steel.

Support Frame

Basin assembly and access panel are secured to a heavy gauge stainless steel support frame mounted to wall.

Vandal Resistance

Water supplies, valves, waste assembly and other optional items are concealed within the access panel/frame.

Faucet Options

There are several hands-free faucet options available with the Verge Wash Basin. Choose from CAP-DCA, IR-DCD or IR-DCG. For more information on these standard faucet options and plug-in adapters, please enter the model number in the search box at www.bradleycorp.com. 4" Centerset and Centershank faucet hole drillings are available for faucets by others.

Code Compliance and Certifications

ANSI Standards

Evero Natural Quartz Surface meets the requirements of CSA B45.5/IAPMO Z124.

cUPC Approval

Verge Wash Basin is Uniform Plumbing Code (UPC), International Plumbing Code (IPC) and National Plumbing Code of Canada (NPC) approved through the International Association of Plumbing and Mechanical Officials (IAPMO). Manufactured in compliance with IGC 156, CSA B45 Series (R08) & ASME A112.18.1/CSA B125.1.

- This plumbing fixture is designed for hand washing only. It is not Intended to dispense water for human consumption through drinking or for preparation of food or beverages.

- Standard product selections contained within this document are third party **CERTIFIED** to NSF/ANSI 372 meeting the Lead-Free content requirement. Any product configured with custom options will be **COMPLIANT** with NSF/ANSI 372 meeting the Lead-Free content requirement.

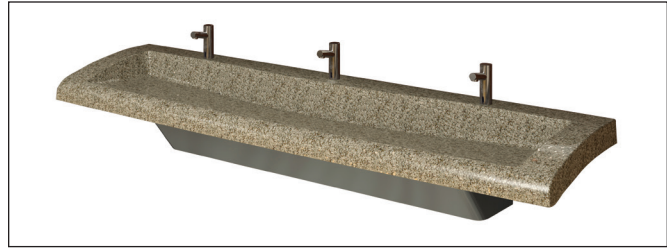
Protected by one or more of the following U.S. Patents: D625,792 S; D633,992 S; and D642,664 S.

Page 1 of 4

4/19/2018

This information is subject to change without notice.

Bradley_Sink_Verge_LVGD3



Models (Must select one)

- | Model | Description |
|--------------------------------|---|
| <input type="checkbox"/> LVGD3 | Verge Wash Basin – LVGD-Series, Three-Station |

Standard Selections (Must select one from each category)

Faucet Type (select one)

- | | | | |
|----------------------------------|---------------------------|---------------------------------|---|
| <input type="checkbox"/> IR-DCG | Infrared Faucet Battery | <input type="checkbox"/> 4" SET | 4" Centerset Drilling (1-1/4" Drillings Only) |
| <input type="checkbox"/> IR-DCD | Infrared Faucet Battery | <input type="checkbox"/> SHANK | Centershank Drilling (1-1/4" Drillings Only) |
| <input type="checkbox"/> CAP-DCA | Capacitive Faucet Battery | | |

Soap Dispenser Type (select one)

- | | |
|--------------------------------------|---|
| <input type="checkbox"/> 6324-68 | 32-oz. Plastic Globe, 4" Spout |
| <input type="checkbox"/> 6315-KT0000 | Battery IR Metering Soap Dispenser Kit (with batteries and 1,000-shot soap) |
| <input type="checkbox"/> 6334 | 16 oz. Plastic Globe, 3-1/2" Spout |
| <input type="checkbox"/> SDO | 1-1/4" Soap Drilling Only |
| <input type="checkbox"/> NSD | No Soap Drilling |

Water Supply Type (select one)

- | | |
|-------------------------------|--|
| <input type="checkbox"/> TMA | Navigator® Thermostatic Mixing Assembly (Hot and Cold Supplies) w/Stops and Supply Hoses |
| <input type="checkbox"/> NONE | No Valve Option Selected (includes stops and supply hoses) |

Color of Evero® Basin (select one)

Geo Series

- | | | | | | |
|-------------------------------------|------------|-----------------------------------|-------------|------------------------------------|--------------|
| <input type="checkbox"/> ANDORRA | Andorra | <input type="checkbox"/> EVEREST | Everest | <input type="checkbox"/> MYKONOS | Mykonos |
| <input type="checkbox"/> ANTARCTICA | Antarctica | <input type="checkbox"/> GLACIER | Glacier Bay | <input type="checkbox"/> PATAGONIA | Patagonia |
| <input type="checkbox"/> BLACK-SEA | Black Sea | <input type="checkbox"/> KALAHARI | Kalahari | <input type="checkbox"/> SIERRA | Sierra Madre |
| <input type="checkbox"/> DENALI | Denali | <input type="checkbox"/> MOJAVE | Mojave | <input type="checkbox"/> YUKON | Yukon |

Pearl Series (available at an additional charge) (Non-cancelable, non-returnable)

- | | | | |
|--------------------------------|-------|-------------------------------------|------------|
| <input type="checkbox"/> AKOYA | Akoya | <input type="checkbox"/> BLACK-MOON | Black Moon |
|--------------------------------|-------|-------------------------------------|------------|

Access Panel Type (select one)

- | | |
|--------------------------------|-----------------|
| <input type="checkbox"/> STAIN | Stainless Steel |
|--------------------------------|-----------------|

Waste Assembly Type:

- | | |
|-----------------------------------|-------------------------------------|
| <input type="checkbox"/> S-POLY | Single Plastic Polypropylene P-Trap |
| <input type="checkbox"/> S-CHROME | Single Chrome-Plated P-Trap |

Optional Selections

Faucet Adapter Type:

- | | |
|-----------------------------|---|
| <input type="checkbox"/> PT | Plug-in adapter to convert battery operated CAP-DCA, IR-DCD or IR-DCG |
|-----------------------------|---|

Soap Adapter Type:

- | | |
|-----------------------------------|--|
| <input type="checkbox"/> P19-231F | Plug-in adapter - 6315 soap dispenser (must order as a separate line item) |
|-----------------------------------|--|

For more information on Evero Natural Quartz Surface, faucets, valves, transformers, and the sensor-operated soap dispenser, please visit bradleycorp.com.



© 2018 Bradley

P.O. Box 309, Menomonee Falls, WI 53052-0309
800 BRADLEY (800 272 3539) +1 262 251 6000

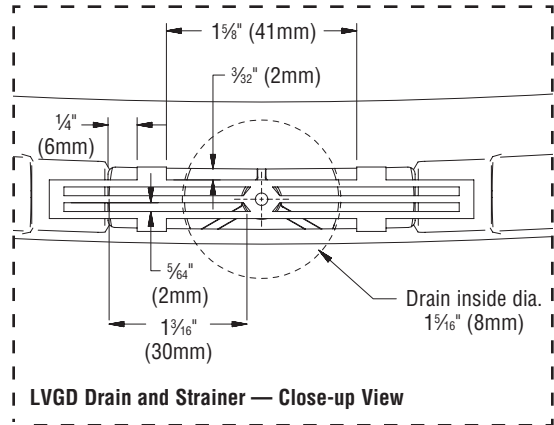
bradleycorp.com

Distributor/Wholesaler:	Date: 2/19/21
Project & Location:	
Model Number:	Qty:

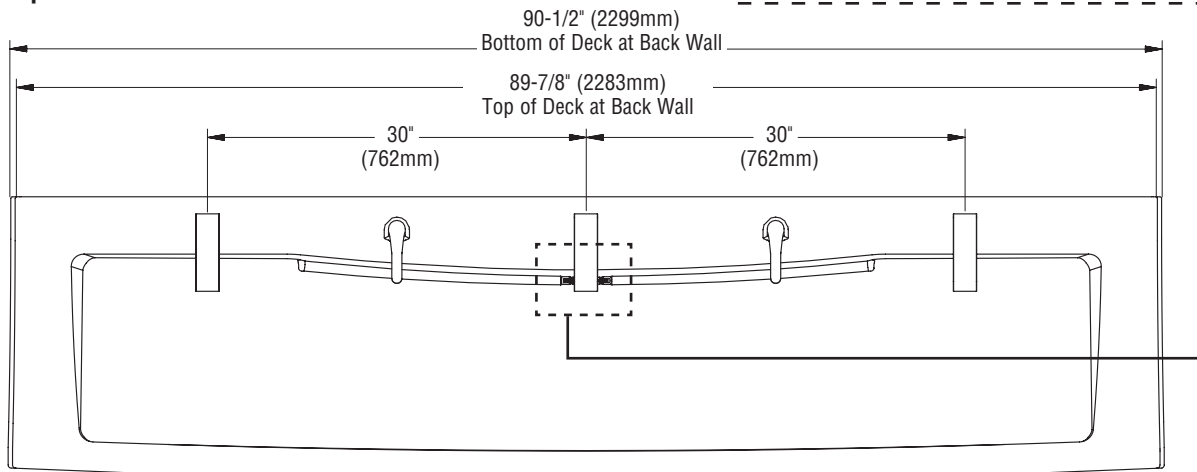


LVGD3 Verge® Wash Basin – LVG-Series

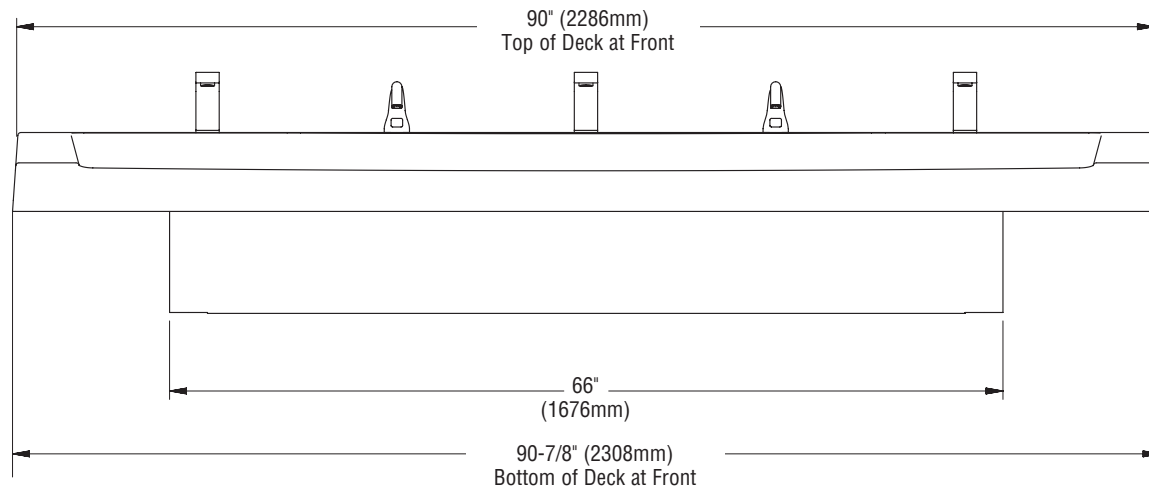
Dimensions for LVGD3 Verge Wash Basin



Top View



Front View

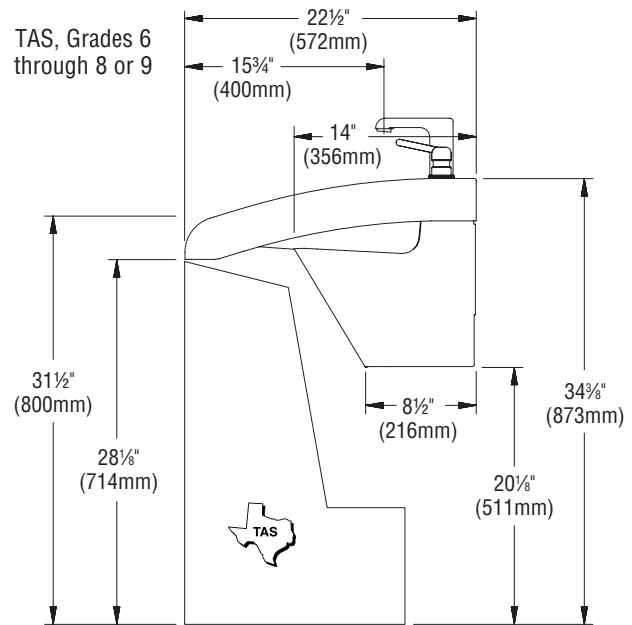
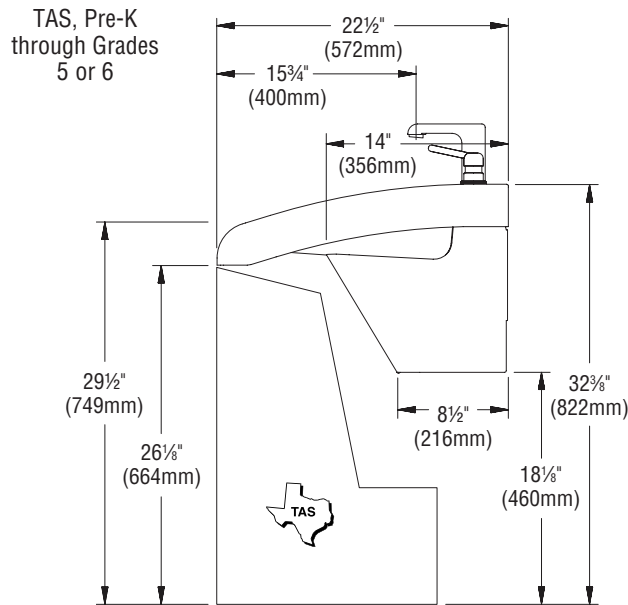
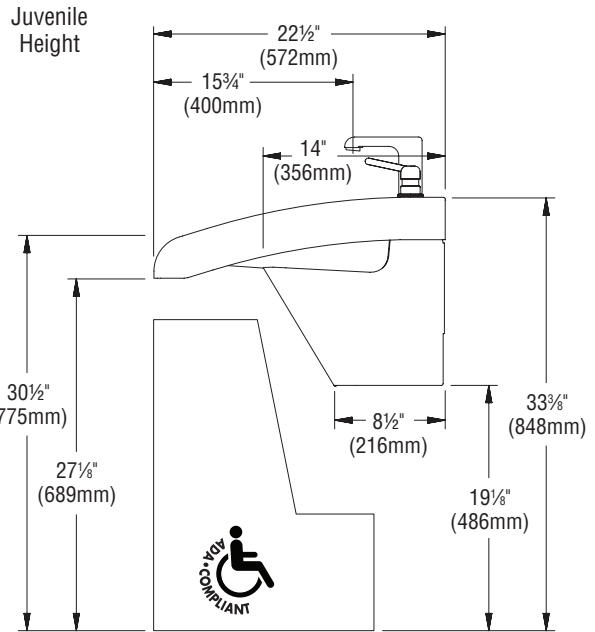
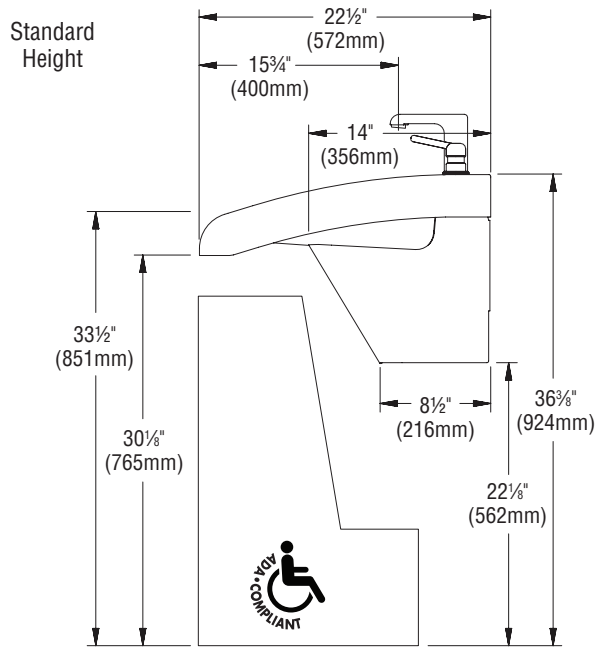


Distributor/Wholesaler:	Date: 2/19/21
Project & Location:	
Model Number:	Qty:



LVGD3 Verge® Wash Basin – LVG-Series

Dimensions for LVGD3 Verge Wash Basin



Distributor/Wholesaler:

Date: 2/19/21

Project & Location:

Model Number:

Qty:

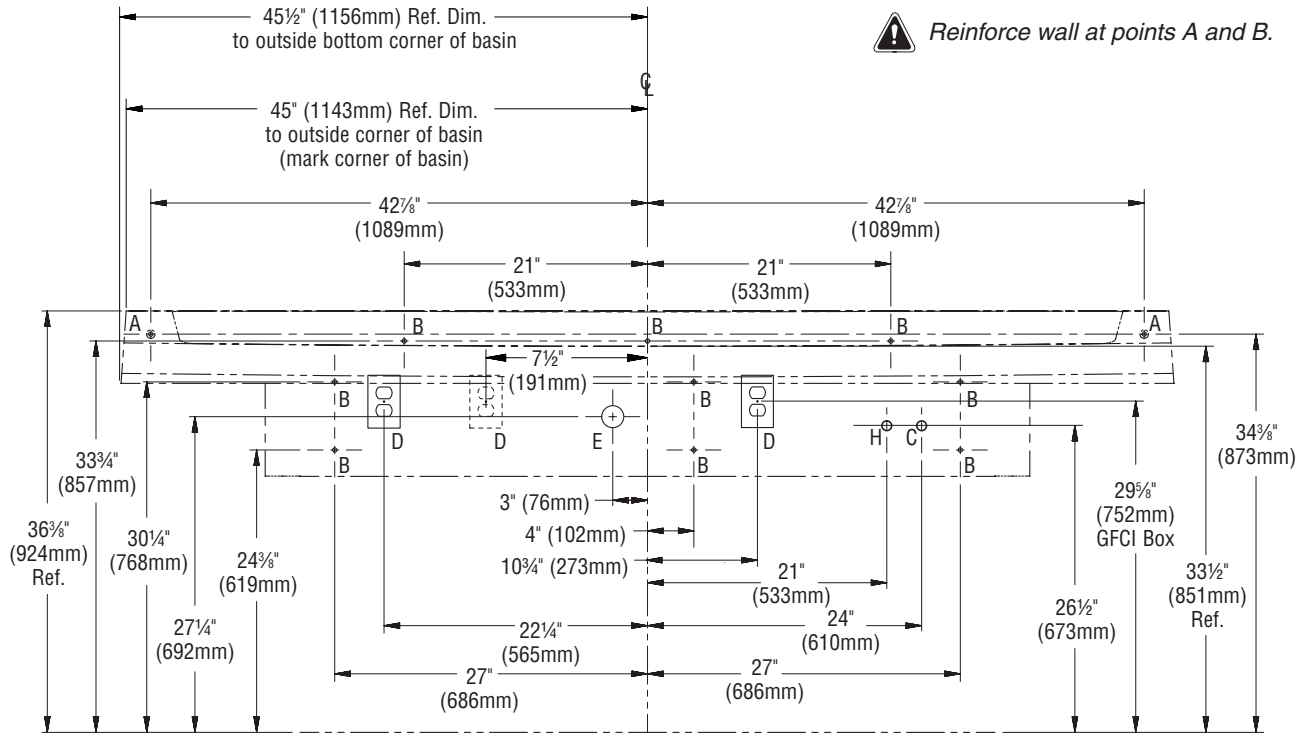


LVGD3 Verge® Wash Basin – LVG-Series

Rough-Ins for LVGD3 Verge Wash Basin

Standard rough-in shown.

Reinforce wall at points A and B.



CODE	DESCRIPTION	QTY.
A	3/8" Lav Deck Bowl Anchors with a Minimum Pull-Out Force of 1,000 lbs. (reinforce walls at anchor points)	2
B	3/8" Lav Deck Frame Anchors with a Minimum Pull-Out Force of 1,000 lbs. (reinforce walls at anchor points)	9
H, C	1/2" Hot/Cold Supplies, Stub-Out 2" From Wall	1
D	110v GFI Protected Electrical Outlet (AC faucet and soap only) <i>Three single outlets are required for CAP-DCA faucets due to the size of the transformers.</i>	3
E	1 1/2" NPT Drain, Stub-Out 2" from Wall	1

RIM HEIGHT	VERTICAL HEIGHT ADJUSTMENTS FOR CODES A-E and H	FIXTURE STYLE
33 1/2"	None	Standard Height
31 1/2"	Subtract 2"	TAS, Grades 6 through 8 or 9
29 1/2"	Subtract 4"	TAS, Pre-K through Grades 5 or 6
30 1/2"	Subtract 3"	Juvenile Height

Distributor/Wholesaler:	Date: 2/19/21
Project & Location:	
Model Number:	Qty:



LVGD2

Verge® Wash Basin – LVG-Series

- ADA and TAS Compliant
- Serves One or Two Users at a Time
- Standard Lavatory Spacing on 30" Centers
- Elongated Basin is Constructed of Evero® Natural Quartz Surface
- Select a Bradley Faucet or faucet by others
- Available in a variety of colors

Specifications

Accommodates one or two users. The units handle washroom traffic quickly and economically, while providing each user with personal space. The Verge® Wash Basin is designed with standard lavatory spacing positioned on 30" centers.

Construction

Basin

Evero Geo Series is a natural quartz surface made from a blend of bio-based resin, natural quartz, granite and other exotic minerals. It is made of 25% recycled content.

Evero Pearl Series is a natural quartz surface made with bio-based resin, sea shells, recycled glass and natural quartz. It is made of 70% recycled content.

- Variations in the natural stone color, pattern, size, shape and shade are inherent. Due to these unique characteristics, please expect subtle shade variations when units are installed adjacent to each other.

Access Panel

Panel is composed of decorative 300 series stainless steel.

Support Frame

Basin assembly and access panel are secured to a heavy gauge stainless steel support frame mounted to wall.

Vandal Resistance

Water supplies, valves, waste assembly and other optional items are concealed within the access panel/frame.

Faucet Options

There are several hands-free faucet options available with the Verge Wash Basin. Choose from CAP-DCA, IR-DCD or IR-DCG. For more information on these standard faucet options and plug-in adapters, please enter the model number in the search box at www.bradleycorp.com. 4" Centerset and Centershank faucet hole drillings are available for faucets by others.

Code Compliance and Certifications

ANSI Standards

Evero Natural Quartz Surface meets the requirements of CSA B45.5/IAPMO Z124.

cUPC Approval

Verge Wash Basin is Uniform Plumbing Code (UPC), International Plumbing Code (IPC) and National Plumbing Code of Canada (NPC) approved through the International Association of Plumbing and Mechanical Officials (IAPMO). Manufactured in compliance with IGC 156, CSA B45 Series (R08) & ASME A112.18.1/CSA B125.1.

- This plumbing fixture is designed for hand washing only. It is not Intended to dispense water for human consumption through drinking or for preparation of food or beverages.

- Standard product selections contained within this document are third party **CERTIFIED** to NSF/ANSI 372 meeting the Lead-Free content requirement. Any product configured with custom options will be **COMPLIANT** with NSF/ANSI 372 meeting the Lead-Free content requirement.

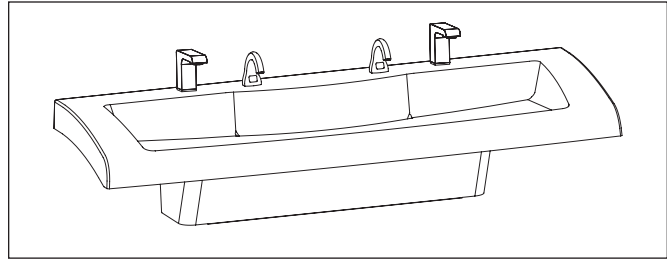
Protected by one or more of the following U.S. Patents: D625,792 S; D633,992 S; and D642,664 S.

Page 1 of 4

4/19/2018

This information is subject to change without notice.

Bradley_Sink_Verge_LVGD2



Models (Must select one)

Model	Description
<input type="checkbox"/> LVGD2	Verge Wash Basin – LVGD-Series, Two-Station

Standard Selections (Must select one from each category)

Faucet Type (select one)

<input type="checkbox"/> IR-DCG	Infrared Faucet Battery	<input type="checkbox"/> 4" SET	4" Centerset Drilling (1-1/4" Drillings Only)
<input type="checkbox"/> IR-DCD	Infrared Faucet Battery	<input type="checkbox"/> SHANK	Centershank Drilling (1-1/4" Drillings Only)
<input type="checkbox"/> CAP-DCA	Capacitive Faucet Battery		

Soap Dispenser Type (select one)

<input type="checkbox"/> 6324-68	32-oz. Plastic Globe, 4" Spout
<input type="checkbox"/> 6315-KT0000	Battery IR Metering Soap Dispenser Kit (with batteries and 1,000-shot soap)
<input type="checkbox"/> 6334	16 oz. Plastic Globe, 3-1/2" Spout
<input type="checkbox"/> SDO	1-1/4" Soap Drilling Only
<input type="checkbox"/> NSD	No Soap Dispenser/No Drilling

Water Supply Type (select one)

<input type="checkbox"/> TMA	Navigator® Thermostatic Mixing Assembly (Hot and Cold Supplies) w/Stops and Supply Hoses
<input type="checkbox"/> NONE	No Valve Option Selected (includes stops and supply hoses)

Color of Evero® Basin (select one)

Geo Series

<input type="checkbox"/> ANDORRA	Andorra	<input type="checkbox"/> EVEREST	Everest	<input type="checkbox"/> MYKONOS	Mykonos
<input type="checkbox"/> ANTARCTICA	Antarctica	<input type="checkbox"/> GLACIER	Glacier Bay	<input type="checkbox"/> PATAGONIA	Patagonia
<input type="checkbox"/> BLACK-SEA	Black Sea	<input type="checkbox"/> KALAHARI	Kalahari	<input type="checkbox"/> SIERRA	Sierra Madre
<input type="checkbox"/> DENALI	Denali	<input type="checkbox"/> MOJAVE	Mojave	<input type="checkbox"/> YUKON	Yukon

Pearl Series (available at an additional charge) (Non-cancelable, non-returnable)

<input type="checkbox"/> AKOYA	Akoya	<input type="checkbox"/> BLACK-MOON	Black Moon
--------------------------------	-------	-------------------------------------	------------

Access Panel Type (select one)

<input type="checkbox"/> STAIN	Stainless Steel
--------------------------------	-----------------

Waste Assembly Type:

<input type="checkbox"/> S-POLY	Single Plastic Polypropylene P-Trap
<input type="checkbox"/> S-CHROME	Single Chrome-Plated P-Trap

Optional Selections

Faucet Adapter Type:

<input type="checkbox"/> PT	Plug-in adapter to convert battery operated CAP-DCA, IR-DCD or IR-DCG
-----------------------------	---

Soap Adapter Type:

<input type="checkbox"/> P19-231F	Plug-in adapter - 6315 soap dispenser (must order as a separate line item)
-----------------------------------	--

For more information on Evero Natural Quartz Surface, faucets, valves, transformers, and the sensor-operated soap dispenser, please visit bradleycorp.com.



© 2018 Bradley

P.O. Box 309, Menomonee Falls, WI 53052-0309
800 BRADLEY (800 272 3539) +1 262 251 6000
bradleycorp.com

Distributor/Wholesaler:

Date: 2/19/21

Project & Location:

Model Number:

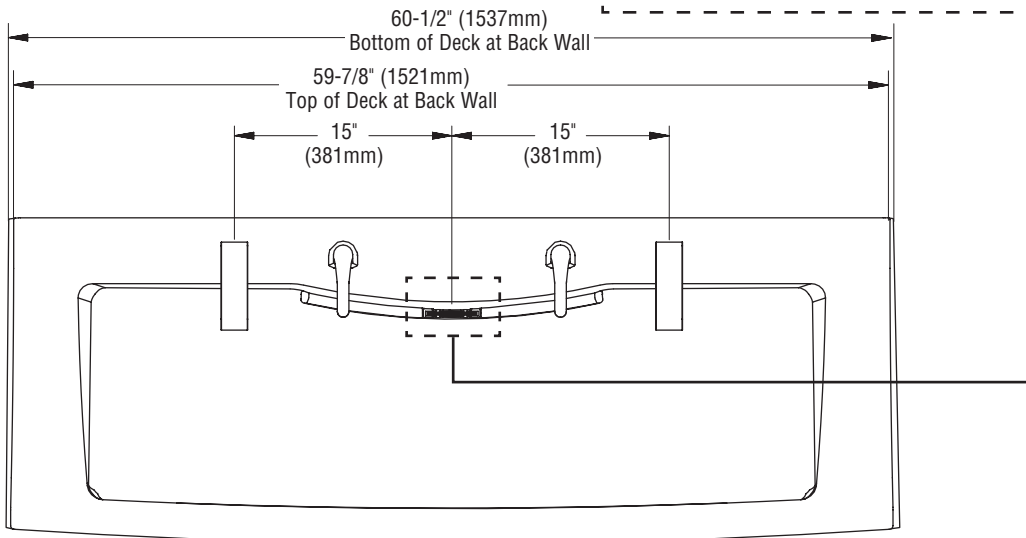
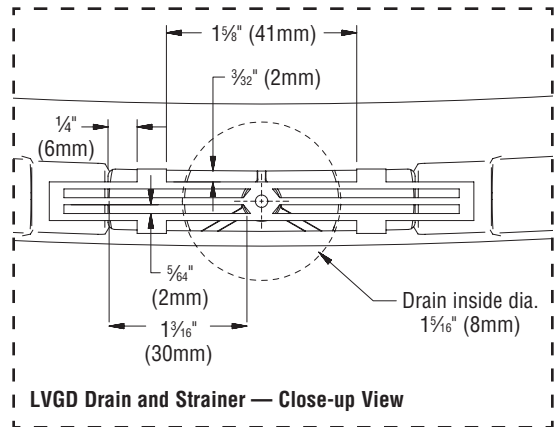
Qty:



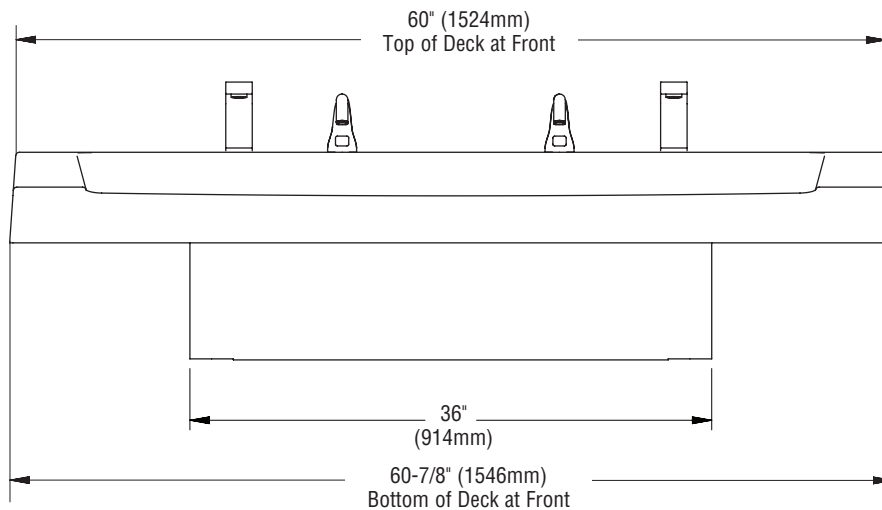
LVGD2 Verge® Wash Basin – LVG-Series

Dimensions for LVGD2 Verge Wash Basin

Top View



Front View

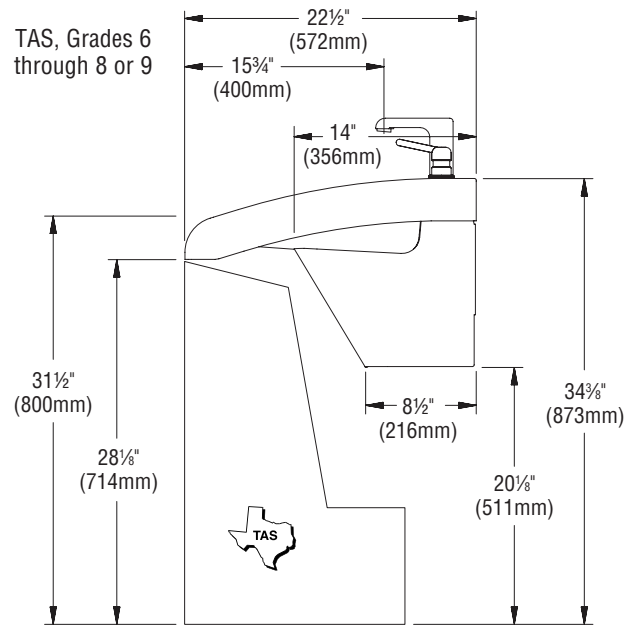
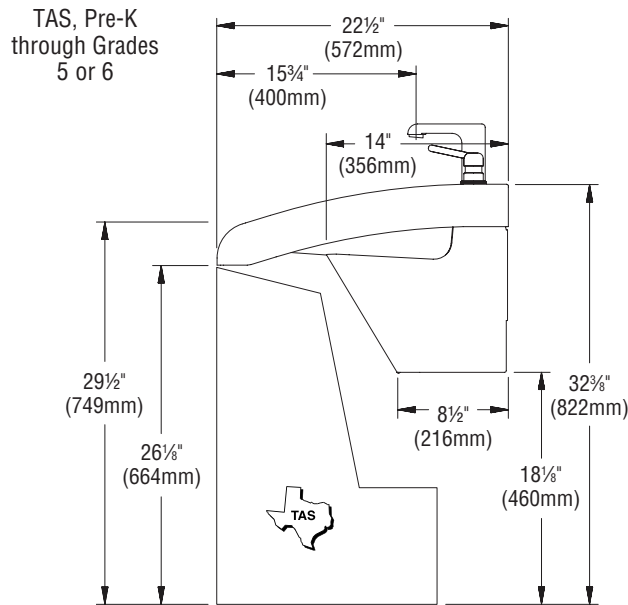
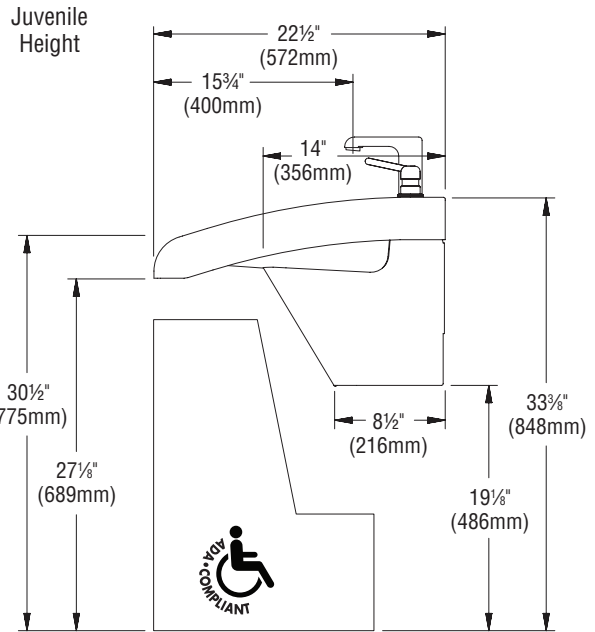
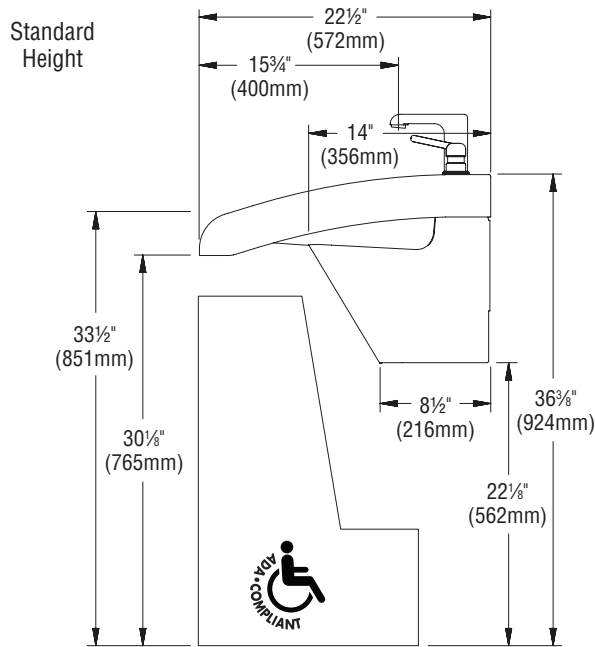


Distributor/Wholesaler:	Date: 2/19/21
Project & Location:	
Model Number:	Qty:



LVGD2 Verge® Wash Basin – LVG-Series

Dimensions for LVGD2 Verge Wash Basin



Distributor/Wholesaler:

Date: 2/19/21

Project & Location:

Model Number:

Qty:

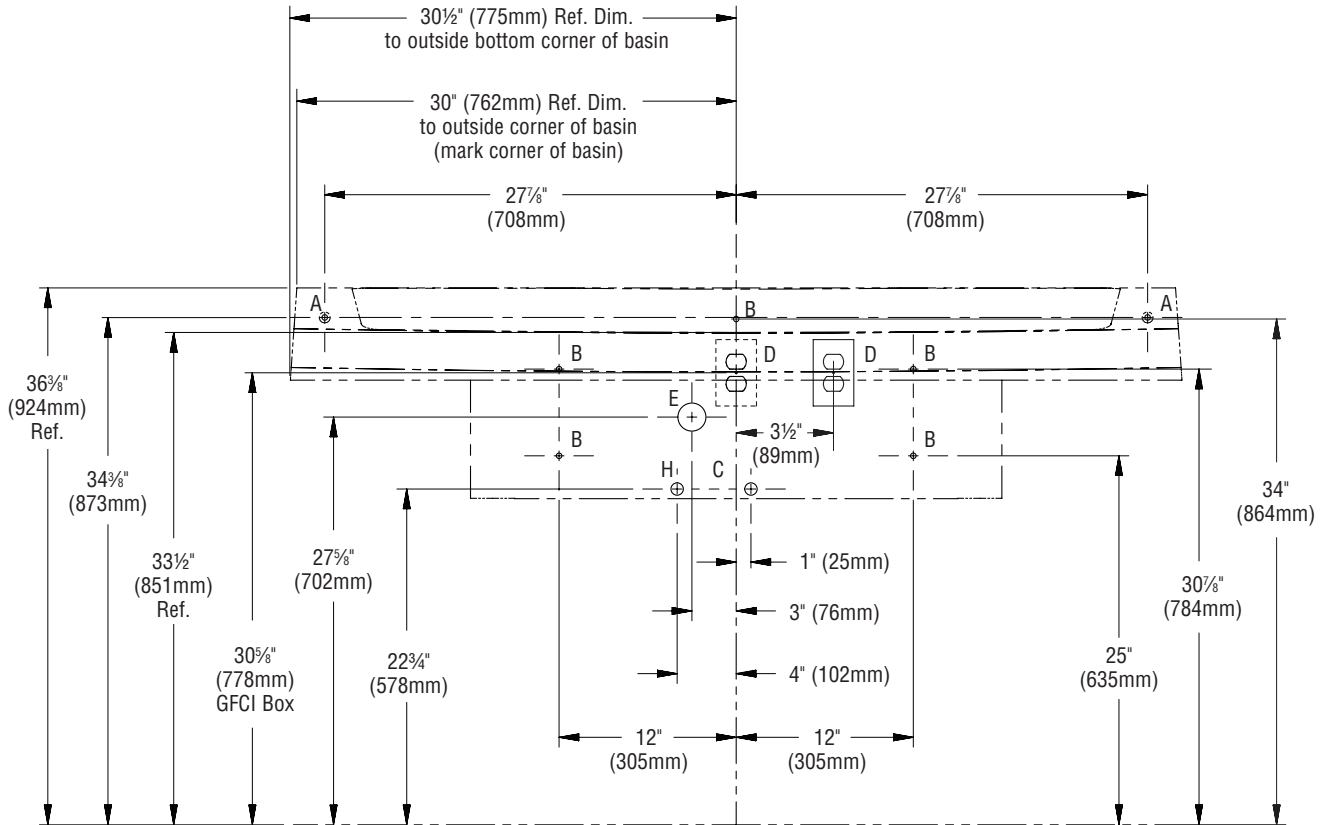


LVGD2 Verge® Wash Basin – LVG-Series

Rough-Ins for LVGD2 Verge Wash Basin

Standard rough-in shown.

Reinforce wall at points A and B.



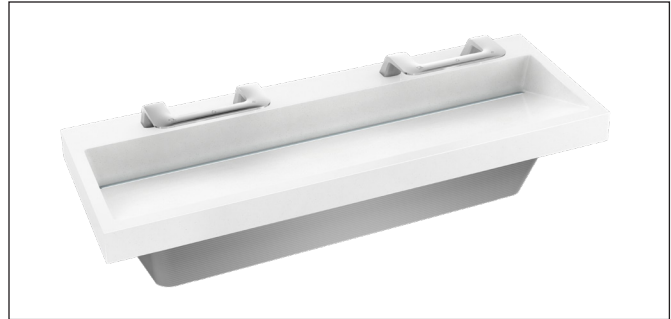
CODE	DESCRIPTION	QTY.
A	3/8" Lav Deck Bowl Anchors with a Minimum Pull-Out Force of 1,000 lbs. (reinforce walls at anchor points)	2
B	3/8" Lav Deck Frame Anchors with a Minimum Pull-Out Force of 1,000 lbs. (reinforce walls at anchor points)	5
H, C	1/2" Hot/Cold Supplies, Stub-Out 2" From Wall	1
D	110v GFI Protected Electrical Outlet (AC faucet and soap only) <i>Two single outlets are required for CAP-DCA faucets due to the size of the transformers.</i>	2
E	1 1/2" NPT Drain, Stub-Out 2" from Wall	1

RIM HEIGHT	VERTICAL HEIGHT ADJUSTMENTS FOR CODES A-E and H	FIXTURE STYLE
33 1/2"	None	Standard Height
31 1/2"	Subtract 2"	TAS, Grades 6 through 8 or 9
29 1/2"	Subtract 4"	TAS, Pre-K through Grades 5 or 6
30 1/2"	Subtract 3"	Juvenile Height

Distributor/Wholesaler:	Date: 2/19/21
Project & Location:	
Model Number:	Qty:



- One piece plated stainless steel WashBar™ includes touch-free soap, water and hand dryer
- WashBar technology intuitively guides user and eliminates simultaneous activations
- Basin and drain engineered to evacuate water and dissipate air flow
- Single piece molded basin eliminates caulk lines and seams
- WashBar and basin system comes complete with mounting, access panel, drain assembly and plumbing connections



Specifications

The Verge LVQD2 Wash Basin is 60" in length and is designed to accommodate one to two users at a time with standard lavatory spacing positioned on 30" centers. The single piece All in One WashBar allows users to access soap, water and a hand dryer without leaving the hand washing station. The unit handles washroom traffic quickly and economically, while providing each user with personal space.

Construction

Basin

The basin has been designed to direct water to a trench drain and features a 300 series stainless steel drain cap. The basin and drain cap work together to evacuate water and dissipate airflow to prevent splashing on the user or floor. The basin is constructed of Evero Geo Series, a natural quartz surface made from a blend of bio-based resin, natural quartz, granite and other exotic minerals. It is made of 25% recycled content. Evero Pearl Series is a natural quartz surface made with bio-based resin, sea shells, recycled glass and natural quartz. It is made of 70% recycled content. Basin is available in all Evero colors.

- Variations in the natural stone color, pattern, size, shape and shade are inherent. Due to these unique characteristics, please expect subtle shade variations when units are installed adjacent to each other.

WashBar™

All in One chrome-plated stainless steel WashBar includes touch-free soap, water and hand dryer. Load tested to 500 pounds, the WashBar is secured to the basin with two anti-rotational shanks. Blue LED lights help guide the user to the WashBar, indicating the three functions. The LED light will change from blue to green to signify that the function is in use. Each function is easily identified by the corresponding icon on the WashBar's top surface.

Sensors are programmed to eliminate simultaneous activations of nearby functions. Each sensor includes a turn-off delay of 1-2 seconds to aid in a smooth, controlled hand-washing and drying operation. WashBar sensors are not affected by varying skin tones or darkness. Smart technology allows the facilities manager or maintenance staff to clean and configure with ease.

Cleaning Mode

WashBar has an activation feature to put the unit into cleaning mode to allow for easy cleaning of the WashBar and basin without activating the functions.

Configuration Mode

The WashBar also has a configuration mode to identify how many cycles are on the soap, faucet and dryer. Mode also allows for dryer speed adjustment at low, medium and high levels.

Soap Dispenser

The soap dispenser is located on the left side of the WashBar. This eliminates any soap from dripping on counters or onto the floor, minimizing slip hazards and allows for easy cleaning. Choose between a foam or liquid soap dispenser, which are compatible with most bulk soaps. Soap system accommodates up to a 1 gallon container to reduce the number of soap replacements. When the LED light above the soap function turns to solid red, simply check the level and replace the soap container with a full container if necessary. The soap system includes an adapter to fit many 1 gallon soap containers available on the market.

Please visit <https://www.bradleycorp.com/maintenance/soap-dispensers> for soap recommendations.

Faucet

Faucet is located in the center of the WashBar and has a spray angle of approximately 17° off the vertical. Choose either a 0.5 gpm or 0.35 gpm PCA silicone tip, non-aerated spray pattern. Maximum run time is 30 seconds. The 0.5 gpm aerator option is the equivalent to 0.25 gpc and the 0.35 gpm aerator option is the equivalent to 0.18 gpc. Automatic 5 second purge within 24 hours of the last use. Recommended operating range is 20-80 psi.

Dryer

The hand dryer is located on the right side of the WashBar, allowing users to dry their hands immediately after washing. This virtually eliminates excess water on the floor. The dryer motor provides heated air at three speeds, high-medium-low, which can be field adjusted by placing the WashBar in configuration mode. The single sided dryer will dry hands in approximately 15 seconds depending on user preference. The decibel range with hands in air stream is 76 dB (high speed) to 64 dB (low speed). The dryer motor, located behind the access panel, is cCSAus listed.

Electrical

Total rated power of each WashBar station is 1200W. Each WashBar is powered by one 12V DC adapter that plugs directly into its dryer or the electrical outlet. The WashBar and dryer motor require a properly grounded dedicated 20 amp circuit, 120V outlet. One duplex outlet is required per station to power the WashBar and dryer.

Access Panel

Minimalistic panel is composed of decorative 300 series stainless steel. Plumbing components, dryer motor, and soap tank are concealed within the panel. The new swing down access panel is designed to ease the maintenance process by eliminating tools and only requires one person for installation. Top edge of the access panel has been hemmed to reduce sharpness.

Support Bracket

Bracket design allows for flexible stud or wall blocking anchor locations. Eliminates the need for in-wall carriers and frame. System is IAPMO certified to meet or exceed ANSI load requirements.

- This plumbing fixture is designed for hand washing only. It is not intended to dispense water for human consumption through drinking or for preparation of food or beverages.

© 2018 Bradley

P.O. Box 309, Menomonee Falls, WI 53052-0309
800 BRADLEY (800 272 3539) +1 262 251 6000
bradleycorp.com

Distributor/Wholesaler:	Date: 2/19/21
Project & Location:	
Model Number:	Qty:



Verge® with WashBar™ Technology – LVQ-Series

LVQD2

Models (Must select one)		
Model	Description	
<input type="checkbox"/> LVQD2	Verge with WashBar Technology – LVQ-Series, Two-Station	
Standard Selections (Must select one from each category)		
WashBar Type (select one)		
<input type="checkbox"/> WB1	Chrome-Plated WashBar with Infrared Control	
Aerator Type (select one)		
<input type="checkbox"/> A35	0.35 gpm PCA Silicone Tip, Non-Aerated	
<input type="checkbox"/> A50	0.50 gpm PCA Silicone Tip, Non-Aerated	
Soap Type (select one)		
<input type="checkbox"/> FSD	Foam Soap Dispenser - 1 gallon soap container by others	
<input type="checkbox"/> LSD	Liquid Soap Dispenser - 1 gallon soap container by others	
Hand Dryer Type (select one)		
<input type="checkbox"/> HD1	DC Motor 120v/60hz, 20 Amp	
Trench Drain Cap Type (select one)		
<input type="checkbox"/> DR1	Stainless Steel Trench Drain Cap	
Water Supply Type (select one)		
<input type="checkbox"/> TMA	Navigator® Thermostatic Mixing Assembly w/Stops and Hot and Cold Supply Hoses	
<input type="checkbox"/> NONE	Single Tempered Line Assembly (Supply Hoses and Shut-Offs Included)	
Color of Evero® Basin (select one)		
<i>Geo Series</i>		
<input type="checkbox"/> ANDORRA Andorra	<input type="checkbox"/> EVEREST Everest	<input type="checkbox"/> MYKONOS Mykonos
<input type="checkbox"/> ANTARCTICA Antarctica	<input type="checkbox"/> GLACIER Glacier Bay	<input type="checkbox"/> PATAGONIA Patagonia
<input type="checkbox"/> BLACK-SEA Black Sea	<input type="checkbox"/> KALAHARI Kalahari	<input type="checkbox"/> SIERRA Sierra Madre
<input type="checkbox"/> DENALI Denali	<input type="checkbox"/> MOJAVE Mojave	<input type="checkbox"/> YUKON Yukon
<i>Pearl Series (available at an additional charge) (Non-cancelable, non-returnable)</i>		
<input type="checkbox"/> AKOYA Akoya	<input type="checkbox"/> BLACK-MOON Black Moon	
Access Panel Type (select one)		
<input type="checkbox"/> STAIN	Swing Down Stainless Steel	
Access Panel Fastener Type (select one)		
<input type="checkbox"/> TS	Thumb Screw	
<input type="checkbox"/> VS	Vandal Resistant Screw	
Waste Assembly Type (select one)		
<input type="checkbox"/> S-POLY	Single Polypropylene P-Trap	
<input type="checkbox"/> S-CHROME	Single Chrome Plated P-Trap	

Strainer and Drain Assembly System

Strainer and drain assembly system comes complete with 300 series stainless steel trench drain cap, tailpiece and polypropylene p-trap. Optional chrome plated p-trap available. The multi-station system is configured with one drain and one set of supplies to reduce the cost associated with individual drains and supplies.

Mounting Heights

Standard Height Mounting

The standard height hand washing stations are to be mounted with a 33-1/2" rim height to comply with ADA/TAS reaches and clearances.

Juvenile Height Mounting

The juvenile height hand washing stations are designed to be mounted at 30-1/2" rim height to comply with ADA/TAS reaches and clearances.

Code Compliance and Certifications

ANSI Standards

Evero Natural Quartz Surface meets the requirements of CSA B45.5/IAPMO Z124.

cUPC Approval

Verge Lavatory is Uniform Plumbing Code (UPC), International Plumbing Code (IPC) and National Plumbing Code of Canada (NPC) approved through the International Association of Plumbing and Mechanical Officials (IAPMO). Manufactured in compliance with IGC 127-2014 Combined Hand Washing Systems, IGC 156, CSA B45 Series (R08) & ASME A112.18.1/CSA B125.1.



Standard product selections contained within this document are third party **CERTIFIED** to NSF/ANSI 372 meeting the Lead-Free content requirement. Any product configured with custom options will be **COMPLIANT** with NSF/ANSI 372 meeting the Lead-Free content requirement.



Distributor/Wholesaler:

Date: 2/19/21

Project & Location:

Model Number:

Qty:

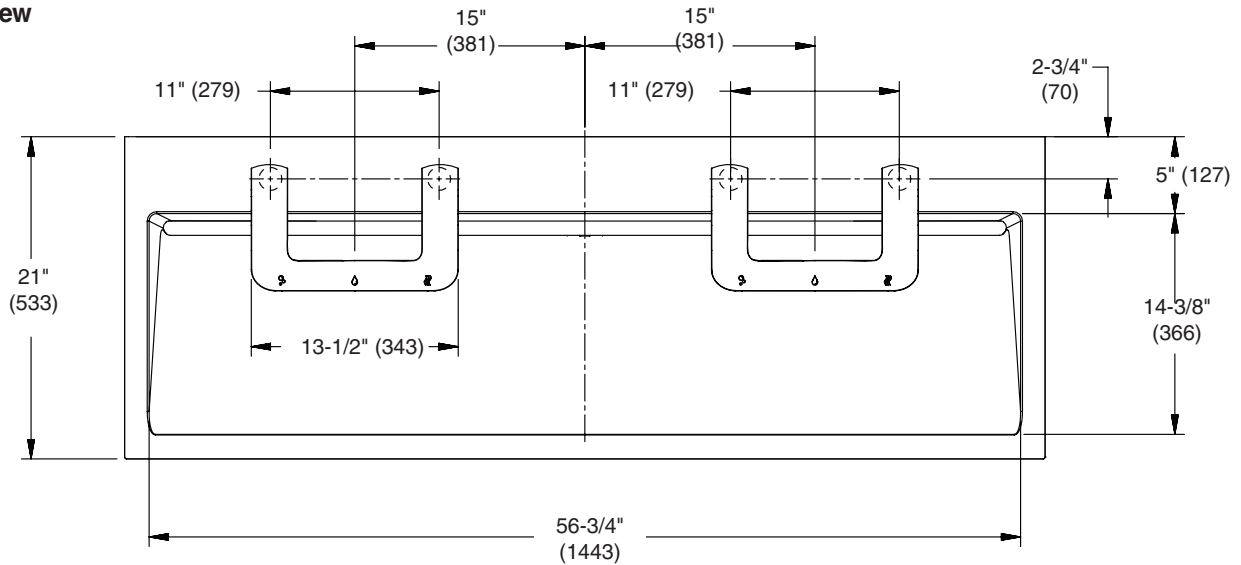


LVQD2 Verge® with WashBar™ Technology – LVQ-Series

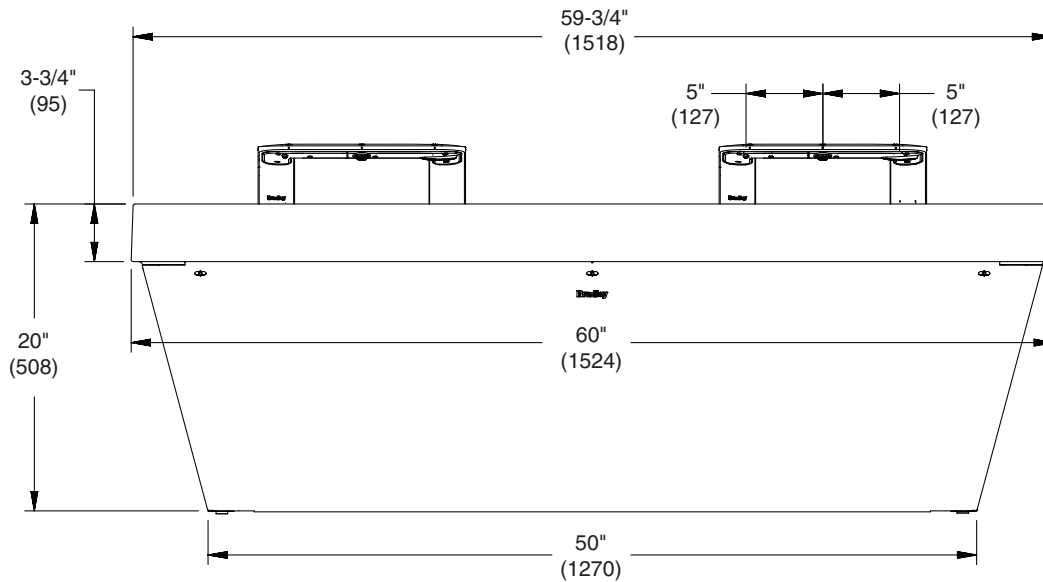
Dimensions for LVQD2 Wash Basin

(mm)

Top View



Front View



Distributor/Wholesaler:	Date: 2/19/21
Project & Location:	
Model Number:	Qty:



LVQD2

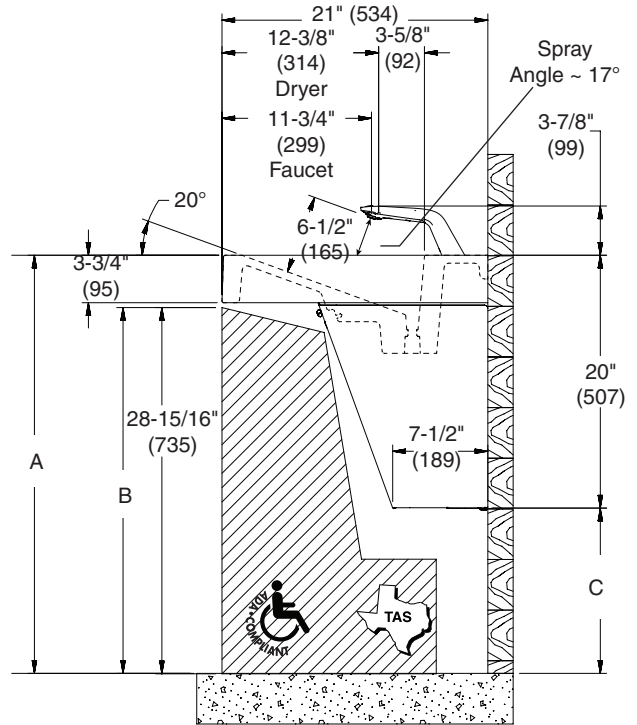
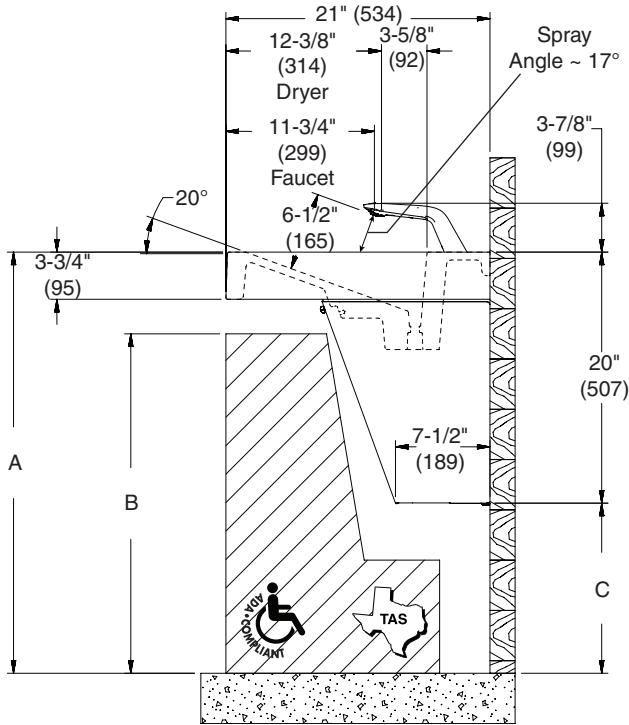
Verge® with WashBar™ Technology – LVQ-Series

Dimensions for LVQD2 Wash Basin

(mm)

Side View

Side View - Canadian Standards



	ADA/TAS Standard Height	ADA/TAS Juvenile Height (Children 6-12 years)
Dim A	33-1/2" (851mm)	30-1/2" (775mm)
Dim B	27" (686mm)	24" (610mm)
Dim C	13-1/2" (343mm)	10-1/2" (267mm)

	CSA Standard Height
Dim A	33-1/2" (851mm)
Dim B	29-29/32" (760mm)
Dim C	13-1/2" (536mm)

Distributor/Wholesaler:	Date: 2/19/21
Project & Location:	
Model Number:	Qty:



LVQD2

Verge® with WashBar™ Technology – LVQ-Series

Structural Rough-Ins for LVQD2 Wash Basin



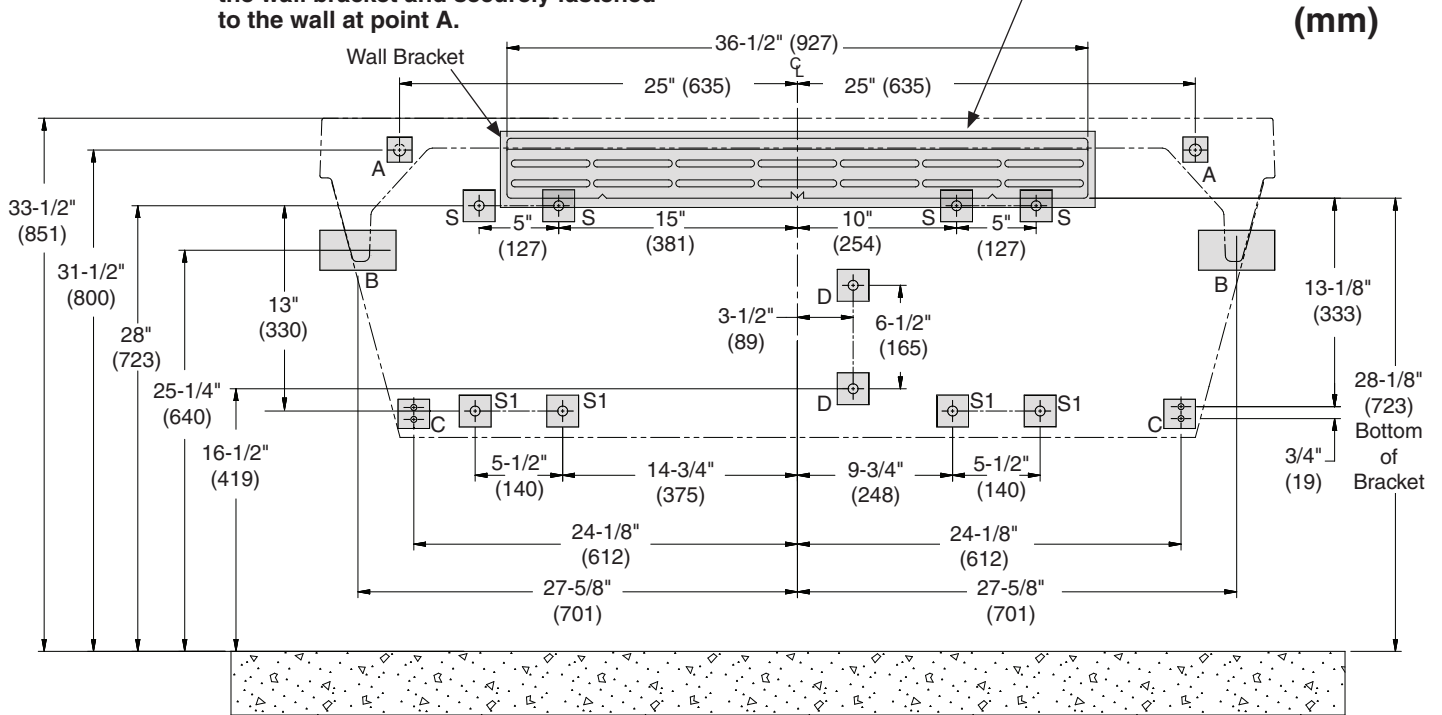
Mounting for Standard, ADA and TAS height shown.



Points A, B and C require sufficient backing compliant with local building codes.

⚠ WARNING Ensure bowl is completely seated in the wall bracket and securely fastened to the wall at point A.

Secure bracket to wall using min. (2) 3/8" anchor bolts to the left of C/L and min. (2) 3/8" anchor bolts to the right of C/L. The (2) anchor bolts to the right of C/L must be min. 16" apart from the anchor bolts to the left of C/L. When mounting is complete, check to ensure the bracket is level. See Step 1: Bracket Mounting for more information.



CODE	DESCRIPTION	QTY.
A	Install (1) 3/8" wall anchor with a minimum pull-out force of 1,000 lbs. per local codes at locations shown	2
B	Provide structural backing compliant with local building codes.	2
C	Install wall anchor with a minimum pull-out force of 100 lbs. per local codes at locations shown	4
D	#10 Wall Anchors for Valve Bracket	2
S	#10 Wall Anchors for Soap Control Box Bracket	4
S1	#10 Wall Anchors for Soap Tank Bracket (100 lb pull out force)	4

RIM HEIGHT	VERTICAL HEIGHT ADJUSTMENTS	FIXTURE STYLE
33½"	No Adjustment	Standard Height, ADA, TAS and CSA
30½"	Subtract 3"	Juvenile, ADA and TAS

Distributor/Wholesaler:	Date: 2/19/21
Project & Location:	
Model Number:	Qty:



LVQD2

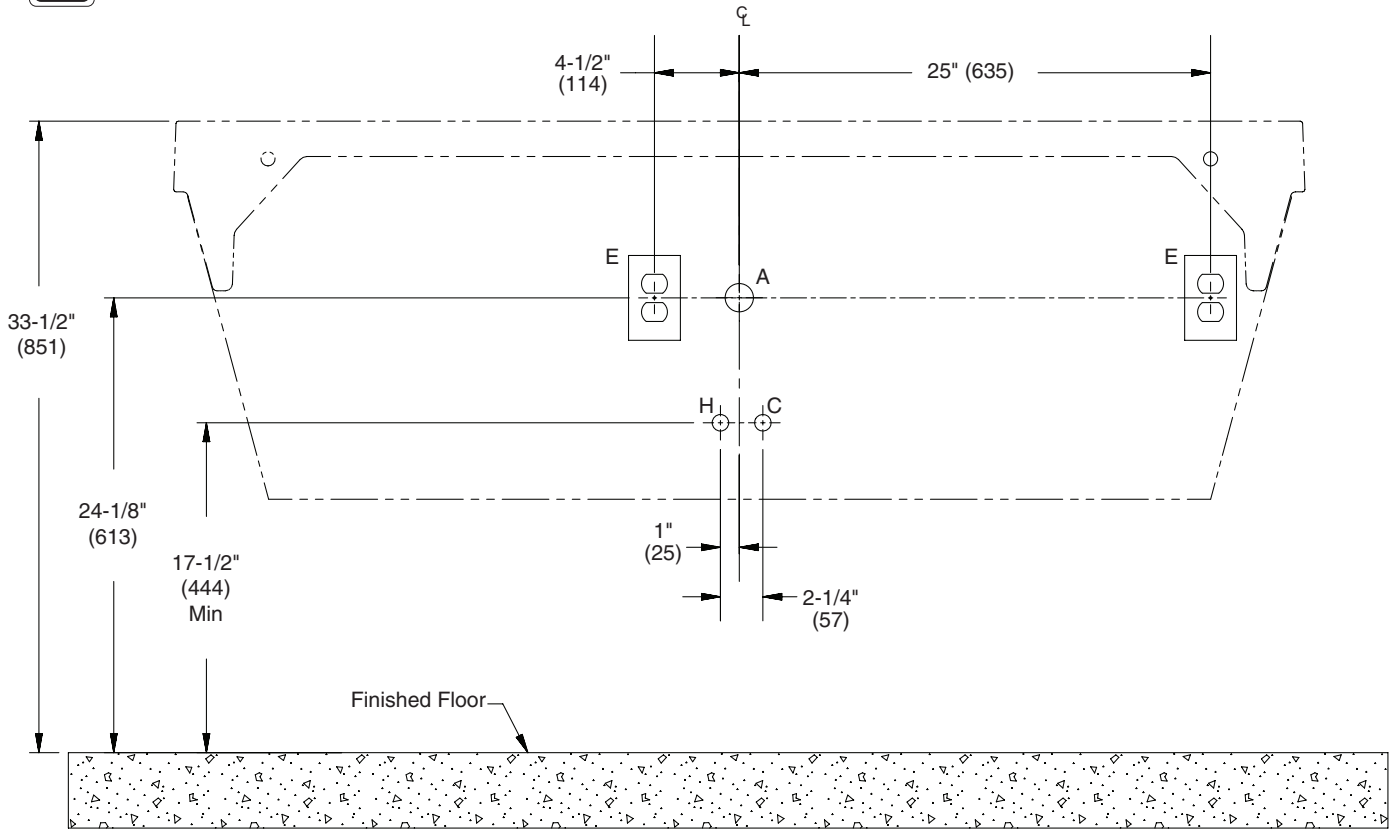
Verge® with WashBar™ Technology – LVQ-Series

Plumbing and Electrical Rough-Ins for LVQD2 Wash Basin

(mm)



Mounting for Standard, ADA and TAS height shown.



CODE	DESCRIPTION	QTY.
A	1½" NPT Drain, Stub-out 2" from wall	1
H,C	½" Nominal (¾" O.D. Comp.) Hot/Cold supplies, Stub-out 2" from wall	1
E	110V GFI protected electrical outlet (20 amp circuit)	2

Distributor/Wholesaler:	Date: 2/19/21
Project & Location:	
Model Number:	Qty:



LVSD2

Verge® Wash Basin – LVS-Series

- Sophisticated design integrates a linear open concept with personal space
- Single piece molded design eliminates caulk lines and seams
- Standard system comes complete with mounting, access panel, drain assembly and plumbing connections

Specifications

Accommodates one to two users. The units handle washroom traffic quickly and economically, while providing each user with personal space. The Verge® Wash Basin is designed with standard lavatory spacing positioned on 30" centers.

Construction

Basin

Evero® Geo Series is a natural quartz surface made from a blend of bio-based resin, natural quartz, granite and other exotic minerals. It is made of 25% recycled content.

Evero Pearl Series is a natural quartz surface made with bio-based resin, sea shells, recycled glass and natural quartz. It is made of 70% recycled content.

- Variations in the natural stone color, pattern, size, shape and shade are inherent. Due to these unique characteristics, please expect subtle shade variations when units are installed adjacent to each other.

Access Panel

Minimalistic panel is composed of decorative 300 series stainless steel. Water supplies, valves, waste assembly and other optional items are concealed within the panel. The panel requires only one person for installation and removal.

Support Bracket

Bracket design allows for flexible stud or wall blocking anchor locations. Eliminates the need for in-wall carriers. IAPMO certified to meet or exceed ANSI load requirements.

Faucet Options

Choose from 0.5 GPM CAP-DCA, IR-DCD or IR-DCG which have been tested for fit and performance. Other compatible faucets include the Aerada 900 series Futura faucet, Aerada 1100 series High Arc faucets and the Aerada 1200 series CS faucet. For more information on these standard faucet options, please enter the model number in the search box at bradleycorp.com. 4" centerset and centershank faucet drillings are available for faucets by others. To maximize handwashing space and minimize splashing, Bradley recommends a faucet reach between 4" and 6". Dimension is measured from shank centerline to aerator centerline.



Soap Dispensers

Choose from our 6334, 6324-68 or 6315 soap dispensers, which have been tested for fit and performance. For more information on these soap dispenser options, please enter the model number in the search box at bradleycorp.com. Dispensers can be arranged as personal soap (dispensers next to each faucet) or shared soap (dispensers in between faucets). See page 3 for drilling locations. Soap drillings available for soap by others.

Strainer and Drain Assembly System

Strainer and drain assembly system comes complete with plungable 300 series stainless steel strainers, tailpiece and polypropylene p-trap. Optional chrome plated p-trap available.

Mounting Heights

Standard Height Mounting

The standard height hand washing stations are to be mounted with a 33-1/2" rim height to comply with ADA/TAS reaches and clearances.

Juvenile Height Mounting

The juvenile height hand washing stations are designed to be mounted at 30-1/2" rim height to comply with ADA/TAS reaches and clearances.

OBC Height Mounting

The Ontario Building Code hand washing stations are designed to be mounted at a 33" maximum rim height to comply with OBC reaches and clearances.

- This plumbing fixture is designed for hand washing only. It is not Intended to dispense water for human consumption through drinking or for preparation of food or beverages.

Distributor/Wholesaler:	Date: 2/19/21
Project & Location:	
Model Number:	Qty:



LVSD2

Verge® Wash Basin – LVS-Series

Models (Must select one)		
Model	Description	
<input type="checkbox"/> LVSD2	Verge Wash Basin – LVS-Series, Two-Station	
Standard Selections (Must select one from each category)		
Faucet Type (select one)		
<input type="checkbox"/> IR-DCG	Infrared Faucet Battery	
<input type="checkbox"/> IR-DCD	Infrared Faucet Battery	
<input type="checkbox"/> CAP-DCA	Capacitive Faucet Battery	
<input type="checkbox"/> SHANK	Centershank Drilling (1-1/4" Drilling Only)	
<input type="checkbox"/> 4" SET	4" Centerset Drilling (1-1/4" Drillings Only)	
Soap Location Type (select one)		
<input type="checkbox"/> SSD	Shared Soap Drilling (located in between faucets) (1 drilling)	
<input type="checkbox"/> PSD	Personal Soap Drilling (next to each faucet) (2 drillings)	
<input type="checkbox"/> NSD	No Soap Dispenser/No Drilling	
NOTE: When selecting PSD, the right station soap dispenser will be located to the left of the faucet. When selecting SSD, the soap dispenser is located above the elevated section of the basin.		
Please reference page 3 for soap drilling locations.		
Soap Dispenser Type (select one)		
<input type="checkbox"/> 6324-68	32 oz. Plastic Globe, 4" Spout	
<input type="checkbox"/> 6315-KT0000	Battery IR Metering Soap Dispenser Kit (with batteries and 1,000-shot soap)	
<input type="checkbox"/> 6334	16 oz. Plastic Globe, 3-1/2" Spout	
<input type="checkbox"/> SDO	1-1/4" Soap Drilling Only	
Water Supply Type (select one)		
<input type="checkbox"/> TMA	Navigator® Thermostatic Mixing Assembly w/Stops and Hot and Cold Supply Hoses	
<input type="checkbox"/> NONE	Single Tempered Line Assembly (Supply Hoses and Shut-Off Included)	
Color of Evero® Basin (select one)		
<i>Geo Series</i>		
<input type="checkbox"/> ANDORRA Andorra	<input type="checkbox"/> EVEREST Everest	<input type="checkbox"/> MYKONOS Mykonos
<input type="checkbox"/> ANTARCTICA Antarctica	<input type="checkbox"/> GLACIER Glacier Bay	<input type="checkbox"/> PATAGONIA Patagonia
<input type="checkbox"/> BLACK-SEA Black Sea	<input type="checkbox"/> KALAHARI Kalahari	<input type="checkbox"/> SIERRA Sierra Madre
<input type="checkbox"/> DENALI Denali	<input type="checkbox"/> MOJAVE Mojave	<input type="checkbox"/> YUKON Yukon
<i>Pearl Series (available at an additional charge) (Non-cancelable, non-returnable)</i>		
<input type="checkbox"/> AKOYA Akoya	<input type="checkbox"/> BLACK-MOON Black Moon	
Access Panel Type (select one)		
<input type="checkbox"/> STAIN	Stainless Steel	
Waste Assembly Type (select one)		
<input type="checkbox"/> IW-POLY	Polypropylene (1 p-trap per station)	
<input type="checkbox"/> IW-CHROME	Chrome-Plated (1 p-trap per station)	
Optional Selections		
Faucet Adapter Type:		
<input type="checkbox"/> PT	Plug-in adapter to convert battery operated CAP-DCA, IR-DCD or IR-DCG	
Soap Adapter Type:		
<input type="checkbox"/> P19-231F	Plug-in adapter - 6315 soap dispenser (must order as a separate line item)	

Code Compliance and Certifications

ANSI Standards

Evero Natural Quartz Surface meets the requirements of CSA B45.5/IAPMO Z124.

cUPC Approval

Verge Wash Basin is Uniform Plumbing Code (UPC), International Plumbing Code (IPC) and National Plumbing Code of Canada (NPC) approved through the International Association of Plumbing and Mechanical Officials (IAPMO). Manufactured in compliance with IGC 156, CSA B45 Series (R08) & ASME A112.18.1/CSA B125.1.



Standard product selections contained within this document are third party **CERTIFIED** to NSF/ANSI 372 meeting the Lead-Free content requirement. Any product configured with custom options will be **COMPLIANT** with NSF/ANSI 372 meeting the Lead-Free content requirement.



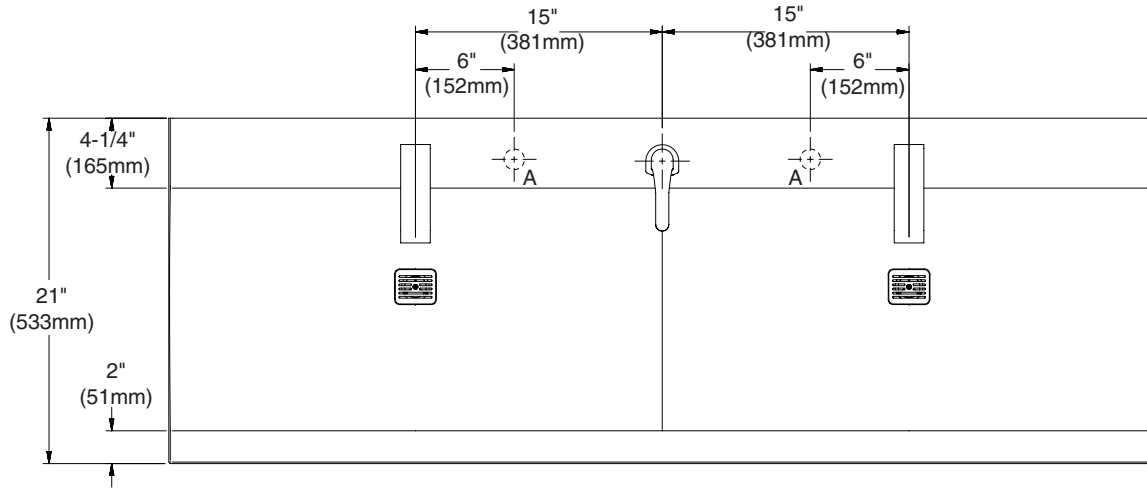
Distributor/Wholesaler:	Date: 2/19/21
Project & Location:	
Model Number:	Qty:



LVSD2 Verge® Wash Basin – LVS-Series

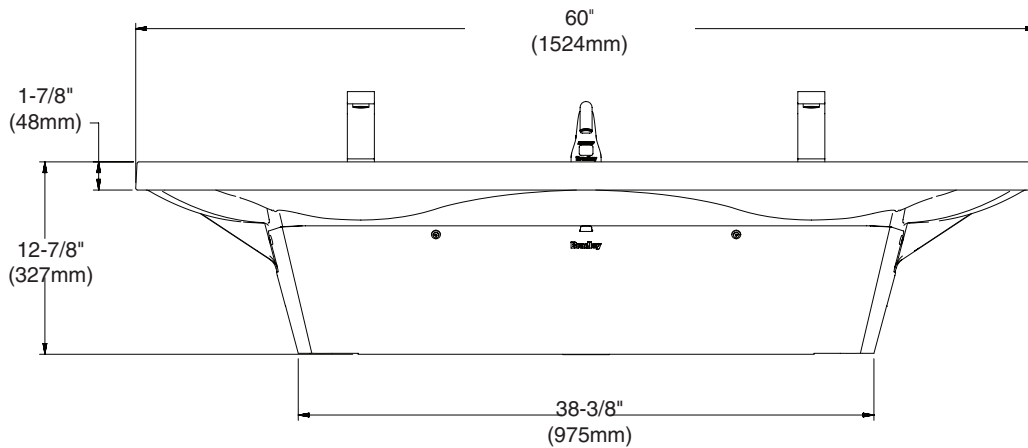
Dimensions for LVSD2 Verge Wash Basin (Shown with CAP-DCA Faucet and 6315 Soap as shared soap)

Top View



A = Personal soap locations

Front View



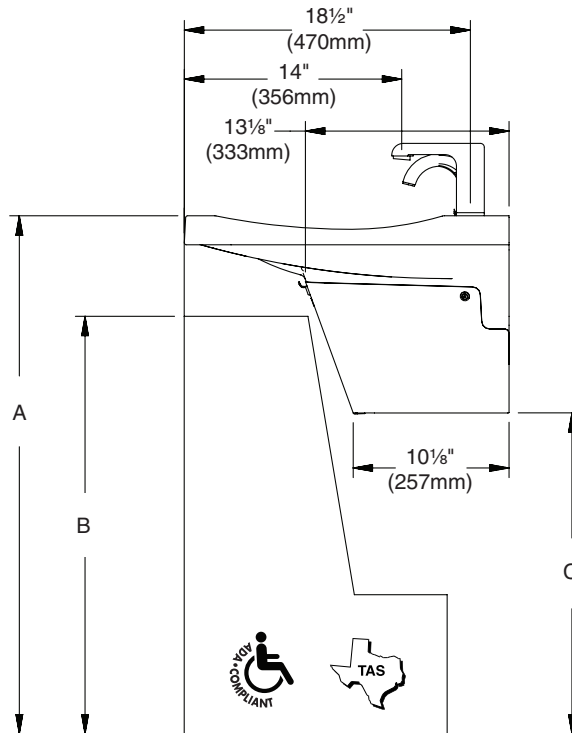
Distributor/Wholesaler:	Date: 2/19/21
Project & Location:	
Model Number:	Qty:



LVSD2 Verge® Wash Basin – LVS-Series

Dimensions for LVSD2 Verge Wash Basin

Side View



	ADA/TAS Standard Height	ADA/TAS Juvenile Height (Children 6-12 years)	CSA Standard Height	OBC Standard Height
Dim A	33½" (851mm)	30½" (787mm)	33½" (851mm)	33" (838mm)
Dim B	27" (686mm)	24" (610mm)	29⅝" (752mm)	28⅞" (735mm)
Dim C	20¾" (527mm)	18¼" (464mm)	21⅛" (536mm)	20¼" (514mm)

Distributor/Wholesaler:	Date: 2/19/21
Project & Location:	
Model Number:	Qty:

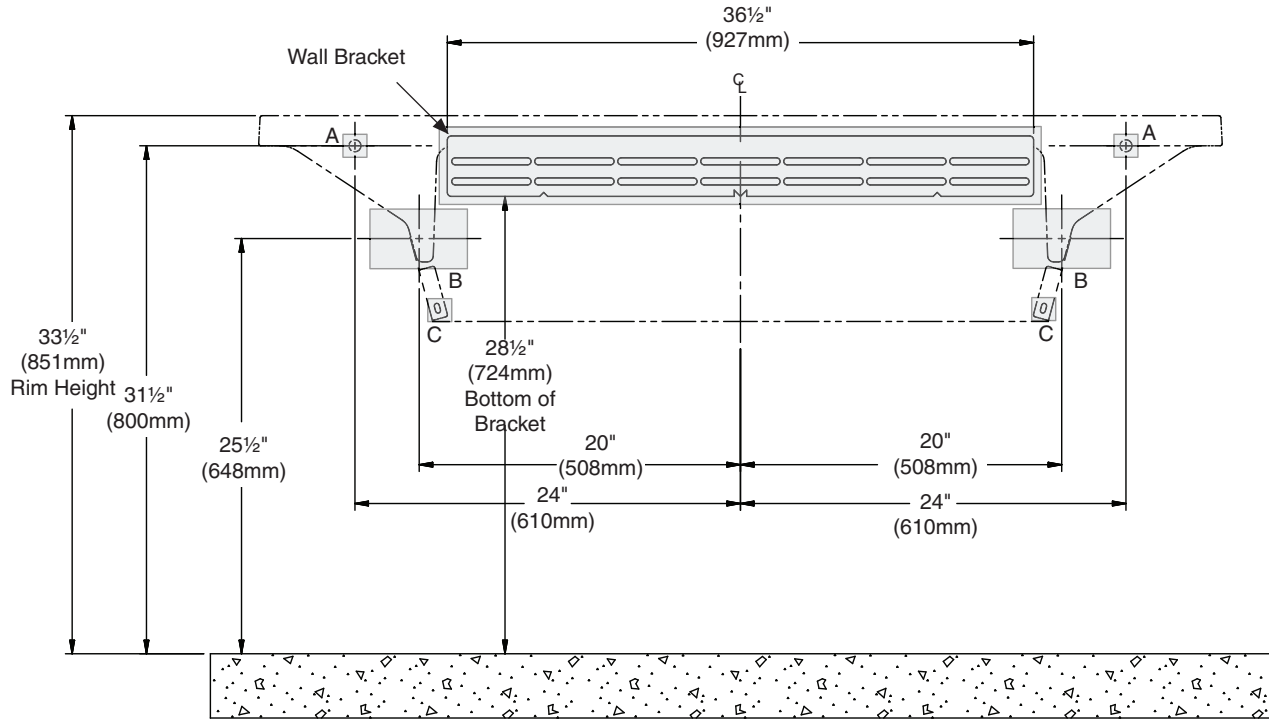


Structural Rough-Ins for LVSD2 Verge Wash Basin

⚠ WARNING Ensure bowl is completely seated in the wall bracket and securely fastened to the wall at point A.

Mounting for Standard, ADA and TAS height shown.

Points A, B and C require sufficient backing compliant with local building codes.



CODE	DESCRIPTION	QTY.
A	Install (1) 3/8" wall anchor with a minimum pull-out force of 1,000 lbs. per local codes at locations shown	2
B	Provide structural backing compliant with local building codes	2
C	Install wall anchor with a minimum pull-out force of 100 lbs. per local codes at locations shown	2

RIM HEIGHT	VERTICAL HEIGHT ADJUSTMENTS	FIXTURE STYLE
33 1/2"	No Adjustment	Standard Height, ADA, TAS and CSA
30 1/2"	Subtract 3"	Juvenile, ADA and TAS
33"	Subtract 1/2"	OBC

Distributor/Wholesaler:	Date: 2/19/21
Project & Location:	
Model Number:	Qty:



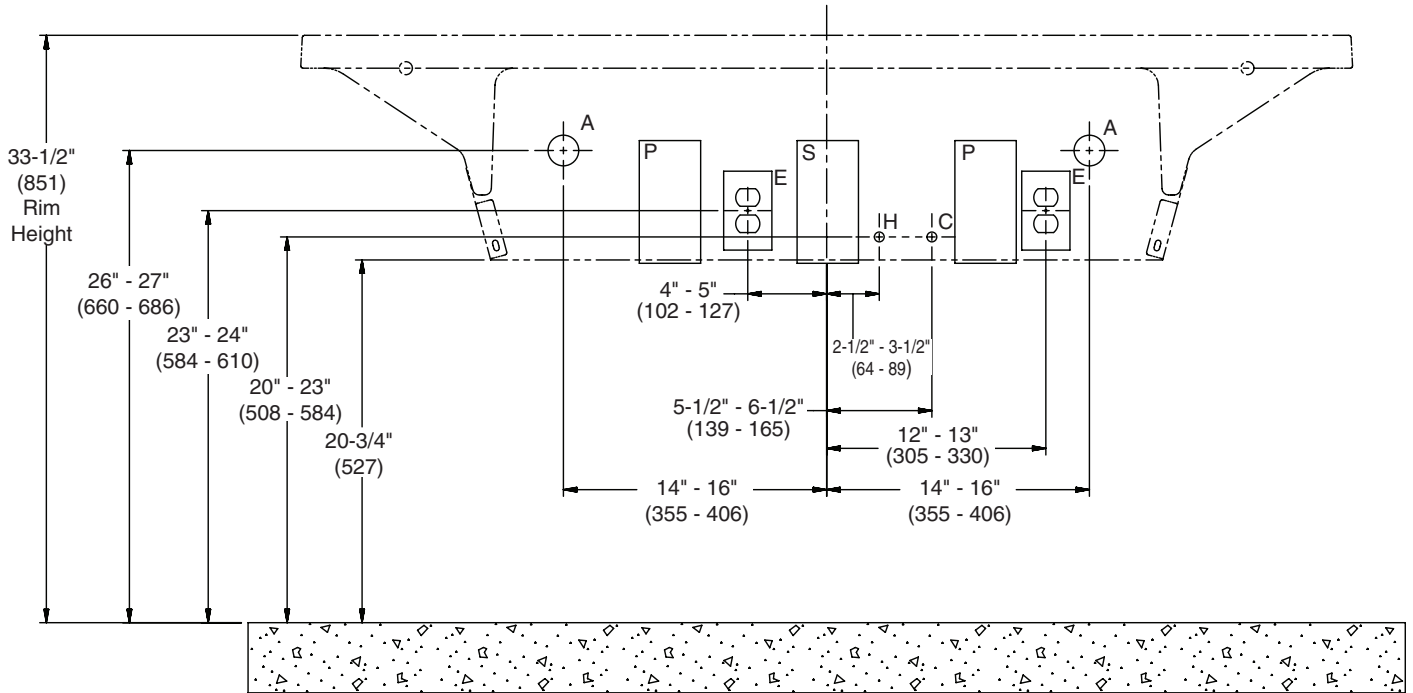
LVSD2 Verge® Wash Basin – LVS-Series

Plumbing and Electrical Rough-Ins for LVSD2 Wash Basin

(mm)



Mounting for Standard, ADA and TAS height shown.



CODE	DESCRIPTION	QTY.
A	1-1/2" NPT Drain, Stub-out 2" from wall, individual waste option	2
H,C	1/2" Nominal (5/8" O.D. Comp.) Hot/Cold supplies, Stub-out 2" from wall	1
E	110V GFI protected electrical outlet (AC faucet and soap only)	2
S	Outline of shared soap container (if selected)	1
P	Outline of personal soap container (if selected)	2

Distributor/Wholesaler:	Date: 2/19/21
Project & Location:	
Model Number:	Qty:



LVSD1 Verge® Wash Basin – LVS-Series

- Sophisticated design integrates a linear open concept with personal space
- Single piece molded design eliminates caulk lines and seams
- Standard system comes complete with mounting, access panel, drain assembly and plumbing connections

Specifications

Accommodates one user at a time. The unit handles washroom traffic quickly and economically, while providing each user with personal space. The Verge® Wash Basin is designed with standard lavatory spacing positioned on 30" centers.

Construction

Basin

Evero® Geo Series is a natural quartz surface made from a blend of bio-based resin, natural quartz, granite and other exotic minerals. It is made of 25% recycled content.

Evero Pearl Series is a natural quartz surface made with bio-based resin, sea shells, recycled glass and natural quartz. It is made of 70% recycled content.

Variations in the natural stone color, pattern, size, shape and shade are inherent. Due to these unique characteristics, please expect subtle shade variations when units are installed adjacent to each other.

Access Panel

Minimalistic panel is composed of decorative 300 series stainless steel. Water supplies, valves, waste assembly and other optional items are concealed within the panel. The panel requires only one person for installation and removal.

Support Bracket

Bracket design allows for flexible stud or wall blocking anchor locations. Eliminates the need for in-wall carriers. IAPMO certified to meet or exceed ANSI load requirements.

Faucet Options

Choose from 0.5 GPM CAP-DCA, IR-DCD or IR-DCG which have been tested for fit and performance. Other compatible faucets include the Aerada 900 series Futura faucet, Aerada 1100 series High Arc faucets and the Aerada 1200 series CS faucet. For more information on these standard faucet options, please enter the model number in the search box at bradleycorp.com. 4" centerset and centershank faucet drillings are available for faucets by others. To maximize handwashing space and minimize splashing, Bradley recommends a faucet reach between 4" and 6". Dimension is measured from shank centerline to aerator centerline.



Soap Dispensers

Choose from our 6334, 6324-68 or 6315 soap dispensers, which have been tested for fit and performance. For more information on these soap dispenser options, please enter the model number in the search box at bradleycorp.com. Dispensers can be arranged as personal soap (dispensers next to each faucet) or shared soap (dispensers in between faucets). See page 3 for drilling locations. Soap drillings available for soap by others.

Strainer and Drain Assembly System

Strainer and drain assembly system comes complete with plungable 300 series stainless steel strainers, tailpiece and polypropylene p-trap. Optional chrome plated p-trap available.

Mounting Heights

Standard Height Mounting

The standard height hand washing stations are to be mounted with a 33-1/2" rim height to comply with ADA/TAS reaches and clearances.

Juvenile Height Mounting

The juvenile height hand washing stations are designed to be mounted at 30-1/2" rim height to comply with ADA/TAS reaches and clearances.

OBC Height Mounting

The Ontario Building Code hand washing stations are designed to be mounted at a 33" maximum rim height to comply with OBC reaches and clearances.

This plumbing fixture is designed for hand washing only. It is not Intended to dispense water for human consumption through drinking or for preparation of food or beverages.

Distributor/Wholesaler:	Date: 2/19/21
Project & Location:	
Model Number:	Qty:



LVSD1

Verge® Wash Basin – LVS-Series

Models (Must select one)		
Model	Description	
<input type="checkbox"/> LVSD1	Verge Wash Basin – LVS-Series, One-Station	
Standard Selections (Must select one from each category)		
Faucet Type (select one)		
<input type="checkbox"/> IR-DCG	Infrared Faucet Battery	
<input type="checkbox"/> IR-DCD	Infrared Faucet Battery	
<input type="checkbox"/> CAP-DCA	Capacitive Faucet Battery	
<input type="checkbox"/> SHANK	Centershank Drilling (1-1/4" Drilling Only)	
<input type="checkbox"/> 4" SET	4" Centerset Drilling (1-1/4" Drillings Only)	
Soap Dispenser Type (select one)		
<input type="checkbox"/> 6324-68	32 oz. Plastic Globe, 4" Spout	
<input type="checkbox"/> 6315-KT0000	Battery IR Metering Soap Dispenser Kit (with batteries and 1,000-shot soap)	
<input type="checkbox"/> 6334	16 oz. Plastic Globe, 3-1/2" Spout	
<input type="checkbox"/> SDO	1-1/4" Soap Drilling Only	
<input type="checkbox"/> NSD	No Soap Dispenser/No Drilling	
Water Supply Type (select one)		
<input type="checkbox"/> TMA	Navigator® Thermostatic Mixing Assembly w/Stops and Hot and Cold Supply Hoses	
<input type="checkbox"/> NONE	Single Tempered Line Assembly (Supply Hoses and Shut-Off Included)	
Color of Evero® Basin (select one)		
<i>Geo Series</i>		
<input type="checkbox"/> ANDORRA Andorra	<input type="checkbox"/> EVEREST Everest	<input type="checkbox"/> MYKONOS Mykonos
<input type="checkbox"/> ANTARCTICA Antarctica	<input type="checkbox"/> GLACIER Glacier Bay	<input type="checkbox"/> PATAGONIA Patagonia
<input type="checkbox"/> BLACK-SEA Black Sea	<input type="checkbox"/> KALAHARI Kalahari	<input type="checkbox"/> SIERRA Sierra Madre
<input type="checkbox"/> DENALI Denali	<input type="checkbox"/> MOJAVE Mojave	<input type="checkbox"/> YUKON Yukon
<i>Pearl Series (available at an additional charge) (Non-cancelable, non-returnable)</i>		
<input type="checkbox"/> AKOYA Akoya	<input type="checkbox"/> BLACK-MOON Black Moon	
Access Panel Type (select one)		
<input type="checkbox"/> STAIN	Stainless Steel	
Waste Assembly Type (select one)		
<input type="checkbox"/> IW-POLY	Polypropylene (1 p-trap per station)	
<input type="checkbox"/> IW-CHROME	Chrome-Plated (1 p-trap per station)	
Optional Selections		
Faucet Adapter Type:		
<input type="checkbox"/> PT	Plug-in adapter to convert battery operated CAP-DCA, IR-DCD or IR-DCG	
Soap Adapter Type:		
<input type="checkbox"/> P19-231F	Plug-in adapter - 6315 soap dispenser (must order as a separate line item)	

Code Compliance and Certifications

ANSI Standards

Evero Natural Quartz Surface meets the requirements of CSA B45.5/IAPMO Z124.

cUPC Approval

Verge Wash Basin is Uniform Plumbing Code (UPC), International Plumbing Code (IPC) and National Plumbing Code of Canada (NPC) approved through the International Association of Plumbing and Mechanical Officials (IAPMO). Manufactured in compliance with IGC 156, CSA B45 Series (R08) & ASME A112.18.1/CSA B125.1.



Standard product selections contained within this document are third party **CERTIFIED** to NSF/ANSI 372 meeting the Lead-Free content requirement. Any product configured with custom options will be **COMPLIANT** with NSF/ANSI 372 meeting the Lead-Free content requirement.



Distributor/Wholesaler:

Date: 2/19/21

Project & Location:

Model Number:

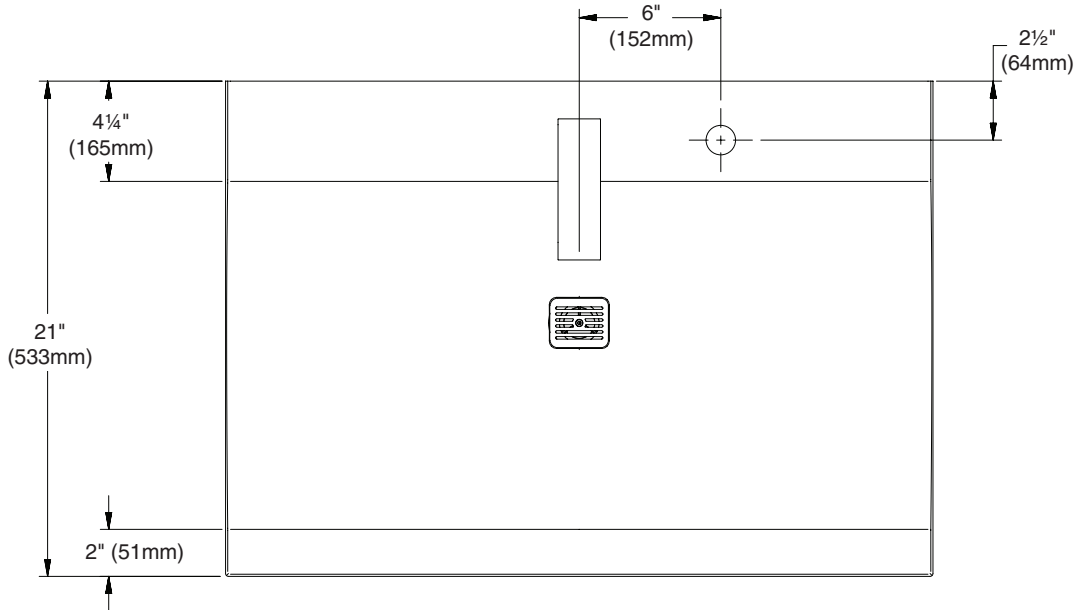
Qty:



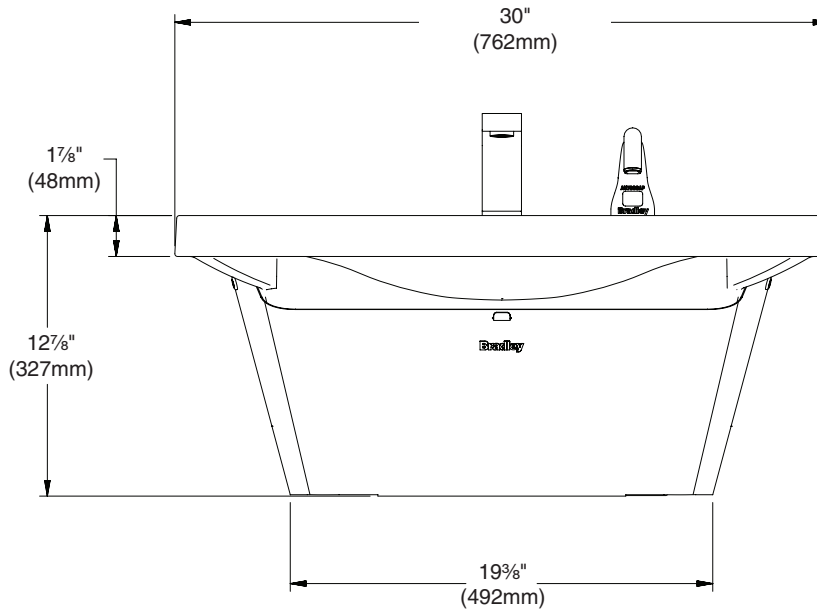
LVSD1 Verge® Wash Basin – LVS-Series

Dimensions for LVSD1 Verge Wash Basin (Shown with CAP-DCA Faucet and 6315 Soap as shared soap)

Top View



Front View



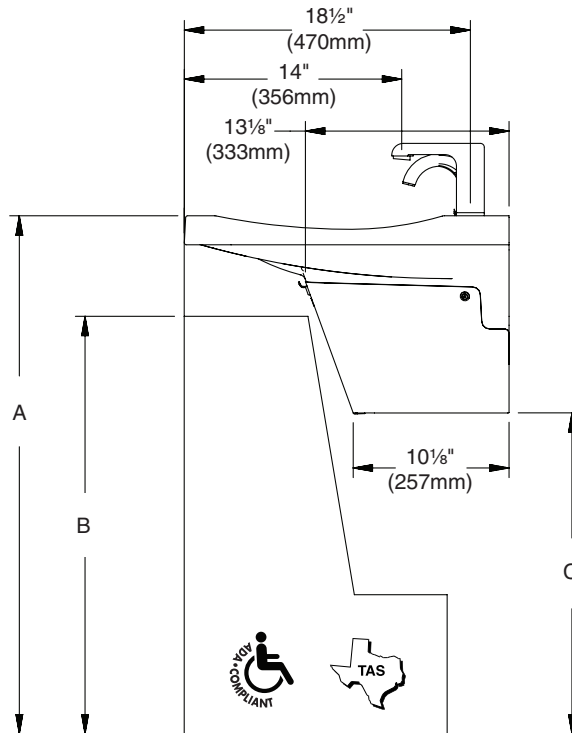
Distributor/Wholesaler:	Date: 2/19/21
Project & Location:	
Model Number:	Qty:



LVSD1 Verge® Wash Basin – LVS-Series

Dimensions for LVSD1 Verge Wash Basin

Side View



	ADA/TAS Standard Height	ADA/TAS Juvenile Height (Children 6-12 years)	CSA Standard Height	OBC Standard Height
Dim A	33½" (851mm)	30½" (787mm)	33½" (851mm)	33" (838mm)
Dim B	27" (686mm)	24" (610mm)	29⅝" (752mm)	28⅞" (735mm)
Dim C	20¾" (527mm)	18¼" (464mm)	21⅛" (536mm)	20¼" (514mm)

Distributor/Wholesaler:	Date: 2/19/21
Project & Location:	
Model Number:	Qty:



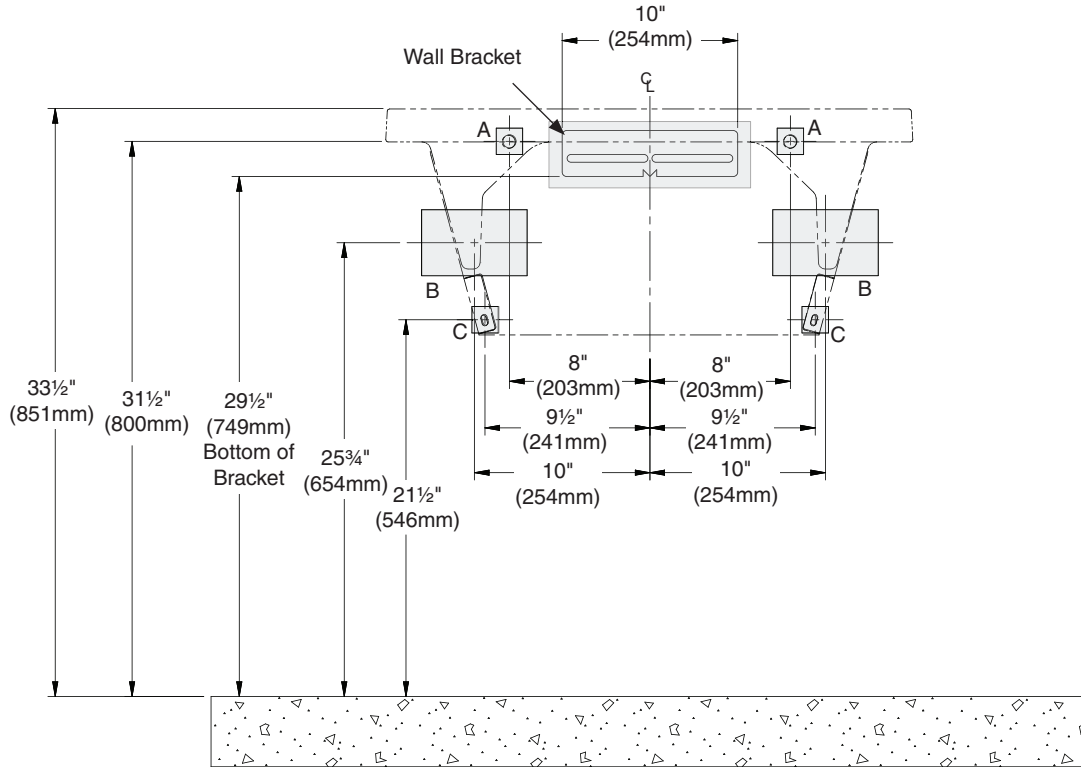
LVSD1 Verge® Wash Basin – LVS-Series

Structural Rough-Ins for LVSD1 Verge Wash Basin

⚠ WARNING Ensure bowl is completely seated in the wall bracket and securely fastened to the wall at point A.

Mounting for Standard, ADA and TAS height shown.

Points A, B and C require sufficient backing compliant with local building codes.



CODE	DESCRIPTION	QTY.
A	Install (1) 3/8" wall anchor with a minimum pull-out force of 1,000 lbs. per local codes at locations shown	2
B	Provide structural backing compliant with local building codes.	2
C	Install wall anchor with a minimum pull-out force of 100 lbs. per local codes at locations shown	2

RIM HEIGHT	VERTICAL HEIGHT ADJUSTMENTS	FIXTURE STYLE
33 1/2"	No Adjustment	Standard Height, ADA, TAS and CSA
30 1/2"	Subtract 3"	Juvenile, ADA and TAS
33"	Subtract 1/2"	OBC

Distributor/Wholesaler:	Date: 2/19/21
Project & Location:	
Model Number:	Qty:



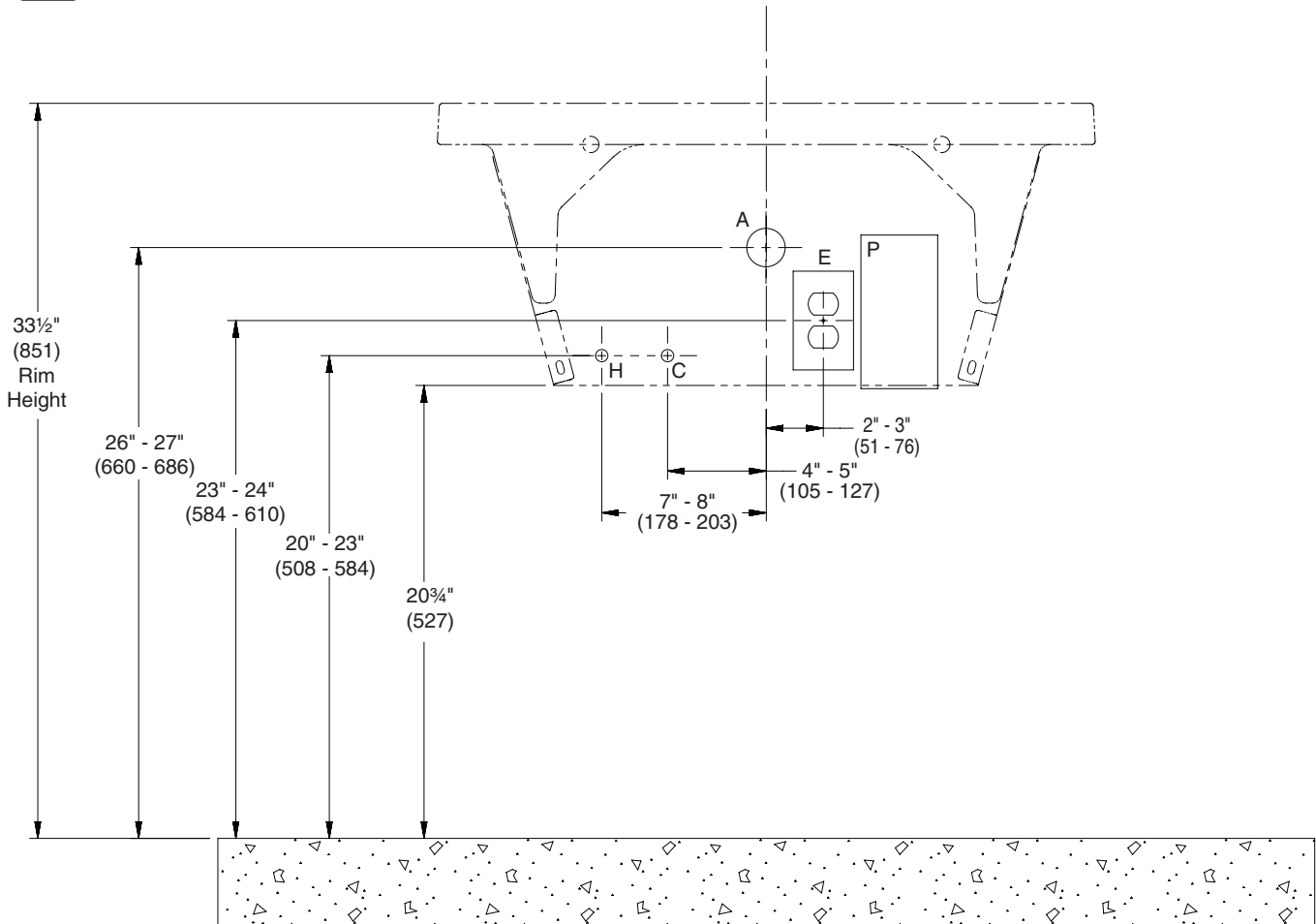
LVSD1 Verge® Wash Basin – LVS-Series

Plumbing and Electrical Rough-Ins for LVSD1 Wash Basin

(mm)



Mounting for Standard, ADA and TAS height shown.

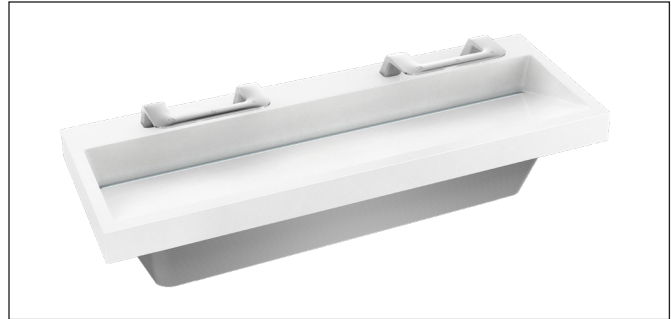


CODE	DESCRIPTION	QTY.
A	1½" NPT Drain, Stub-out 2" from wall, individual waste option	1
H,C	½" Nominal (5/8" O.D. Comp.) Hot/Cold supplies, Stub-out 2" from wall	1
E	110V GFI protected electrical outlet (AC faucet and soap only)	1
P	Outline of soap container (if selected)	1

Distributor/Wholesaler:	Date: 2/19/21
Project & Location:	
Model Number:	Qty:



- One piece plated stainless steel WashBar™ includes touch-free soap, water and hand dryer
- WashBar technology intuitively guides user and eliminates simultaneous activations
- Basin and drain engineered to evacuate water and dissipate air flow
- Single piece molded basin eliminates caulk lines and seams
- WashBar and basin system comes complete with mounting, access panel, drain assembly and plumbing connections



Specifications

The Verge LVQD2 Wash Basin is 60" in length and is designed to accommodate one to two users at a time with standard lavatory spacing positioned on 30" centers. The single piece All in One WashBar allows users to access soap, water and a hand dryer without leaving the hand washing station. The unit handles washroom traffic quickly and economically, while providing each user with personal space.

Construction

Basin

The basin has been designed to direct water to a trench drain and features a 300 series stainless steel drain cap. The basin and drain cap work together to evacuate water and dissipate airflow to prevent splashing on the user or floor. The basin is constructed of Evero Geo Series, a natural quartz surface made from a blend of bio-based resin, natural quartz, granite and other exotic minerals. It is made of 25% recycled content. Evero Pearl Series is a natural quartz surface made with bio-based resin, sea shells, recycled glass and natural quartz. It is made of 70% recycled content. Basin is available in all Evero colors.

- Variations in the natural stone color, pattern, size, shape and shade are inherent. Due to these unique characteristics, please expect subtle shade variations when units are installed adjacent to each other.

WashBar™

All in One chrome-plated stainless steel WashBar includes touch-free soap, water and hand dryer. Load tested to 500 pounds, the WashBar is secured to the basin with two anti-rotational shanks. Blue LED lights help guide the user to the WashBar, indicating the three functions. The LED light will change from blue to green to signify that the function is in use. Each function is easily identified by the corresponding icon on the WashBar's top surface.

Sensors are programmed to eliminate simultaneous activations of nearby functions. Each sensor includes a turn-off delay of 1-2 seconds to aid in a smooth, controlled hand-washing and drying operation. WashBar sensors are not affected by varying skin tones or darkness. Smart technology allows the facilities manager or maintenance staff to clean and configure with ease.

Cleaning Mode

WashBar has an activation feature to put the unit into cleaning mode to allow for easy cleaning of the WashBar and basin without activating the functions.

Configuration Mode

The WashBar also has a configuration mode to identify how many cycles are on the soap, faucet and dryer. Mode also allows for dryer speed adjustment at low, medium and high levels.

Soap Dispenser

The soap dispenser is located on the left side of the WashBar. This eliminates any soap from dripping on counters or onto the floor, minimizing slip hazards and allows for easy cleaning. Choose between a foam or liquid soap dispenser, which are compatible with most bulk soaps. Soap system accommodates up to a 1 gallon container to reduce the number of soap replacements. When the LED light above the soap function turns to solid red, simply check the level and replace the soap container with a full container if necessary. The soap system includes an adapter to fit many 1 gallon soap containers available on the market.

Please visit <https://www.bradleycorp.com/maintenance/soap-dispensers> for soap recommendations.

Faucet

Faucet is located in the center of the WashBar and has a spray angle of approximately 17° off the vertical. Choose either a 0.5 gpm or 0.35 gpm PCA silicone tip, non-aerated spray pattern. Maximum run time is 30 seconds. The 0.5 gpm aerator option is the equivalent to 0.25 gpc and the 0.35 gpm aerator option is the equivalent to 0.18 gpc. Automatic 5 second purge within 24 hours of the last use. Recommended operating range is 20-80 psi.

Dryer

The hand dryer is located on the right side of the WashBar, allowing users to dry their hands immediately after washing. This virtually eliminates excess water on the floor. The dryer motor provides heated air at three speeds, high-medium-low, which can be field adjusted by placing the WashBar in configuration mode. The single sided dryer will dry hands in approximately 15 seconds depending on user preference. The decibel range with hands in air stream is 76 dB (high speed) to 64 dB (low speed). The dryer motor, located behind the access panel, is cCSAus listed.

Electrical

Total rated power of each WashBar station is 1200W. Each WashBar is powered by one 12V DC adapter that plugs directly into its dryer or the electrical outlet. The WashBar and dryer motor require a properly grounded dedicated 20 amp circuit, 120V outlet. One duplex outlet is required per station to power the WashBar and dryer.

Access Panel

Minimalistic panel is composed of decorative 300 series stainless steel. Plumbing components, dryer motor, and soap tank are concealed within the panel. The new swing down access panel is designed to ease the maintenance process by eliminating tools and only requires one person for installation. Top edge of the access panel has been hemmed to reduce sharpness.

Support Bracket

Bracket design allows for flexible stud or wall blocking anchor locations. Eliminates the need for in-wall carriers and frame. System is IAPMO certified to meet or exceed ANSI load requirements.

- This plumbing fixture is designed for hand washing only. It is not intended to dispense water for human consumption through drinking or for preparation of food or beverages.

© 2018 Bradley

P.O. Box 309, Menomonee Falls, WI 53052-0309
800 BRADLEY (800 272 3539) +1 262 251 6000
bradleycorp.com

Distributor/Wholesaler:	Date: 2/19/21
Project & Location:	
Model Number:	Qty:



Verge® with WashBar™ Technology – LVQ-Series

LVQD2

Models (Must select one)		
Model	Description	
<input type="checkbox"/> LVQD2	Verge with WashBar Technology – LVQ-Series, Two-Station	
Standard Selections (Must select one from each category)		
WashBar Type (select one)		
<input type="checkbox"/> WB1	Chrome-Plated WashBar with Infrared Control	
Aerator Type (select one)		
<input type="checkbox"/> A35	0.35 gpm PCA Silicone Tip, Non-Aerated	
<input type="checkbox"/> A50	0.50 gpm PCA Silicone Tip, Non-Aerated	
Soap Type (select one)		
<input type="checkbox"/> FSD	Foam Soap Dispenser - 1 gallon soap container by others	
<input type="checkbox"/> LSD	Liquid Soap Dispenser - 1 gallon soap container by others	
Hand Dryer Type (select one)		
<input type="checkbox"/> HD1	DC Motor 120v/60hz, 20 Amp	
Trench Drain Cap Type (select one)		
<input type="checkbox"/> DR1	Stainless Steel Trench Drain Cap	
Water Supply Type (select one)		
<input type="checkbox"/> TMA	Navigator® Thermostatic Mixing Assembly w/Stops and Hot and Cold Supply Hoses	
<input type="checkbox"/> NONE	Single Tempered Line Assembly (Supply Hoses and Shut-Offs Included)	
Color of Evero® Basin (select one)		
<i>Geo Series</i>		
<input type="checkbox"/> ANDORRA Andorra	<input type="checkbox"/> EVEREST Everest	<input type="checkbox"/> MYKONOS Mykonos
<input type="checkbox"/> ANTARCTICA Antarctica	<input type="checkbox"/> GLACIER Glacier Bay	<input type="checkbox"/> PATAGONIA Patagonia
<input type="checkbox"/> BLACK-SEA Black Sea	<input type="checkbox"/> KALAHARI Kalahari	<input type="checkbox"/> SIERRA Sierra Madre
<input type="checkbox"/> DENALI Denali	<input type="checkbox"/> MOJAVE Mojave	<input type="checkbox"/> YUKON Yukon
<i>Pearl Series (available at an additional charge) (Non-cancelable, non-returnable)</i>		
<input type="checkbox"/> AKOYA Akoya	<input type="checkbox"/> BLACK-MOON Black Moon	
Access Panel Type (select one)		
<input type="checkbox"/> STAIN	Swing Down Stainless Steel	
Access Panel Fastener Type (select one)		
<input type="checkbox"/> TS	Thumb Screw	
<input type="checkbox"/> VS	Vandal Resistant Screw	
Waste Assembly Type (select one)		
<input type="checkbox"/> S-POLY	Single Polypropylene P-Trap	
<input type="checkbox"/> S-CHROME	Single Chrome Plated P-Trap	

Strainer and Drain Assembly System

Strainer and drain assembly system comes complete with 300 series stainless steel trench drain cap, tailpiece and polypropylene p-trap. Optional chrome plated p-trap available. The multi-station system is configured with one drain and one set of supplies to reduce the cost associated with individual drains and supplies.

Mounting Heights

Standard Height Mounting

The standard height hand washing stations are to be mounted with a 33-1/2" rim height to comply with ADA/TAS reaches and clearances.

Juvenile Height Mounting

The juvenile height hand washing stations are designed to be mounted at 30-1/2" rim height to comply with ADA/TAS reaches and clearances.

Code Compliance and Certifications

ANSI Standards

Evero Natural Quartz Surface meets the requirements of CSA B45.5/IAPMO Z124.

cUPC Approval

Verge Lavatory is Uniform Plumbing Code (UPC), International Plumbing Code (IPC) and National Plumbing Code of Canada (NPC) approved through the International Association of Plumbing and Mechanical Officials (IAPMO). Manufactured in compliance with IGC 127-2014 Combined Hand Washing Systems, IGC 156, CSA B45 Series (R08) & ASME A112.18.1/CSA B125.1.



Standard product selections contained within this document are third party **CERTIFIED** to NSF/ANSI 372 meeting the Lead-Free content requirement. Any product configured with custom options will be **COMPLIANT** with NSF/ANSI 372 meeting the Lead-Free content requirement.



Distributor/Wholesaler:

Date: 2/19/21

Project & Location:

Model Number:

Qty:

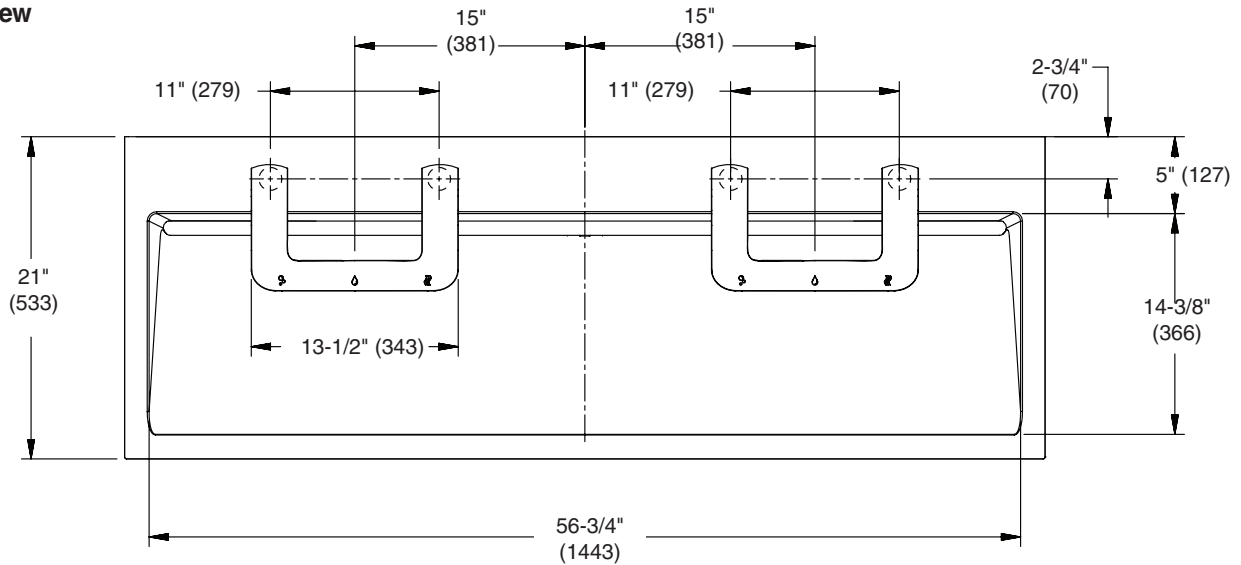


LVQD2 Verge® with WashBar™ Technology – LVQ-Series

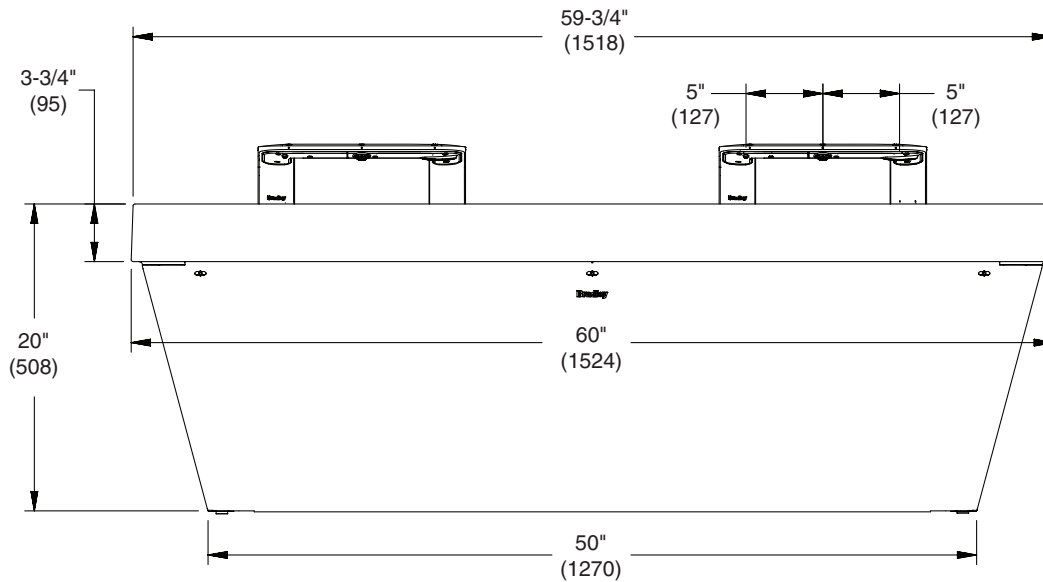
Dimensions for LVQD2 Wash Basin

(mm)

Top View



Front View



Distributor/Wholesaler:	Date: 2/19/21
Project & Location:	
Model Number:	Qty:



LVQD2

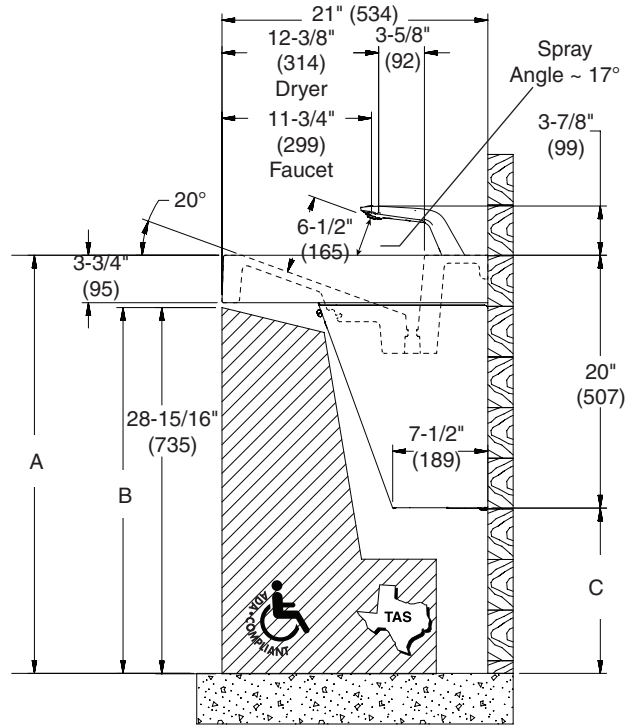
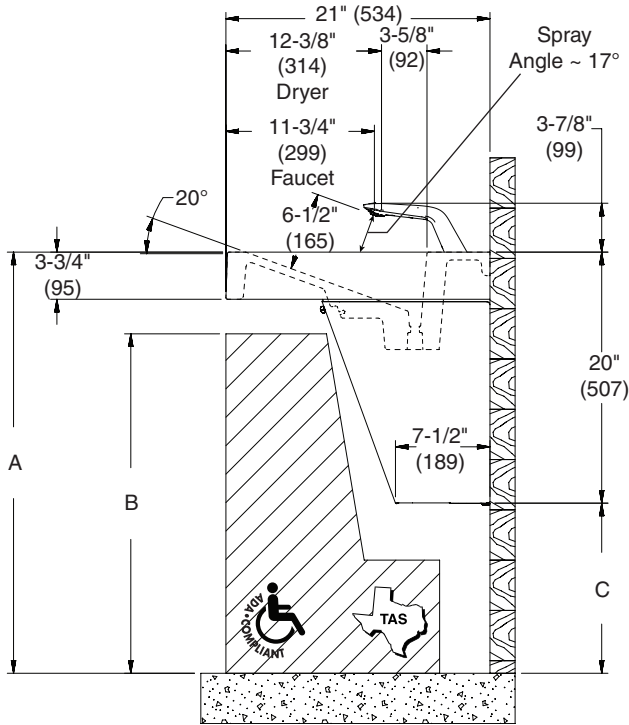
Verge® with WashBar™ Technology – LVQ-Series

Dimensions for LVQD2 Wash Basin

(mm)

Side View

Side View - Canadian Standards



	ADA/TAS Standard Height	ADA/TAS Juvenile Height (Children 6-12 years)
Dim A	33-1/2" (851mm)	30-1/2" (775mm)
Dim B	27" (686mm)	24" (610mm)
Dim C	13-1/2" (343mm)	10-1/2" (267mm)

	CSA Standard Height
Dim A	33-1/2" (851mm)
Dim B	29-29/32" (760mm)
Dim C	13-1/2" (536mm)

Distributor/Wholesaler:	Date: 2/19/21
Project & Location:	
Model Number:	Qty:



LVQD2

Verge® with WashBar™ Technology – LVQ-Series

Structural Rough-Ins for LVQD2 Wash Basin



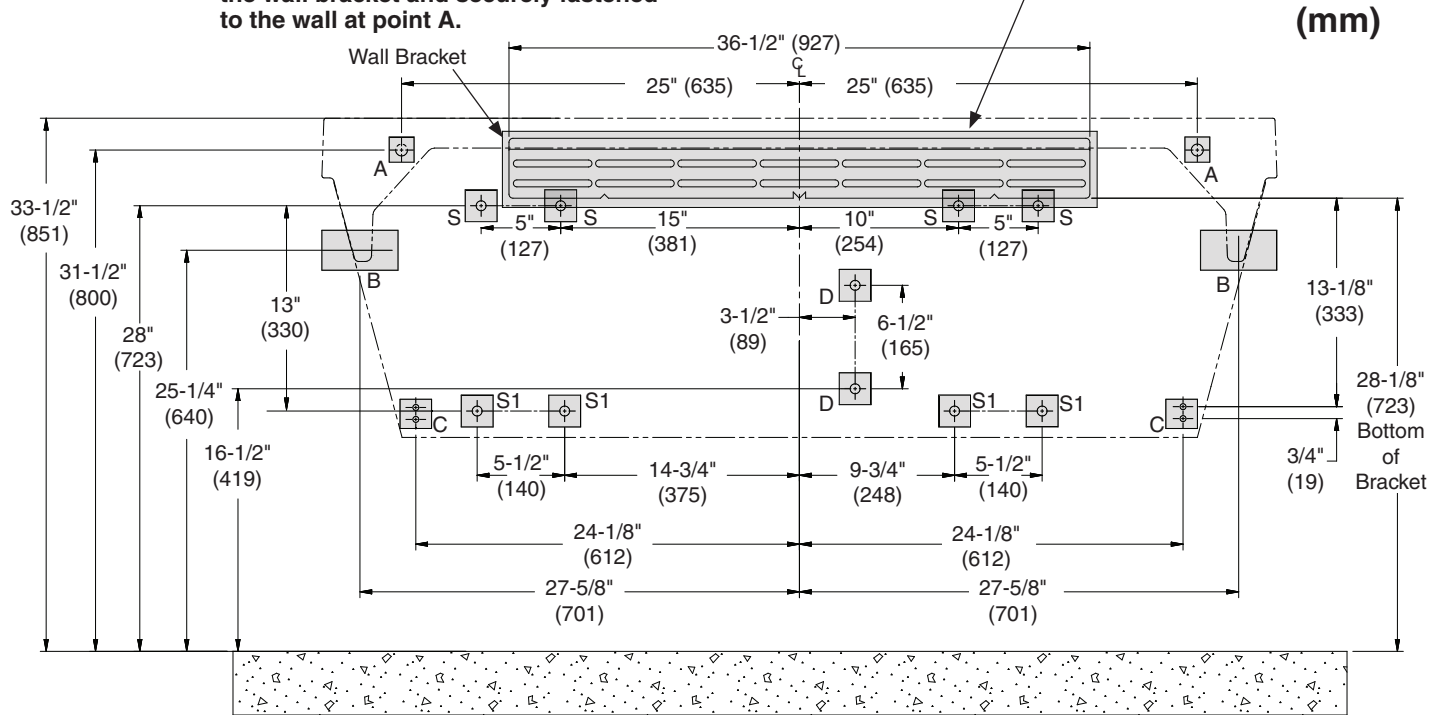
Mounting for Standard, ADA and TAS height shown.



Points A, B and C require sufficient backing compliant with local building codes.

⚠ WARNING Ensure bowl is completely seated in the wall bracket and securely fastened to the wall at point A.

Secure bracket to wall using min. (2) 3/8" anchor bolts to the left of C/L and min. (2) 3/8" anchor bolts to the right of C/L. The (2) anchor bolts to the right of C/L must be min. 16" apart from the anchor bolts to the left of C/L. When mounting is complete, check to ensure the bracket is level. See Step 1: Bracket Mounting for more information.



CODE	DESCRIPTION	QTY.
A	Install (1) 3/8" wall anchor with a minimum pull-out force of 1,000 lbs. per local codes at locations shown	2
B	Provide structural backing compliant with local building codes.	2
C	Install wall anchor with a minimum pull-out force of 100 lbs. per local codes at locations shown	4
D	#10 Wall Anchors for Valve Bracket	2
S	#10 Wall Anchors for Soap Control Box Bracket	4
S1	#10 Wall Anchors for Soap Tank Bracket (100 lb pull out force)	4

RIM HEIGHT	VERTICAL HEIGHT ADJUSTMENTS	FIXTURE STYLE
33½"	No Adjustment	Standard Height, ADA, TAS and CSA
30½"	Subtract 3"	Juvenile, ADA and TAS

Distributor/Wholesaler:	Date: 2/19/21
Project & Location:	
Model Number:	Qty:



LVQD2

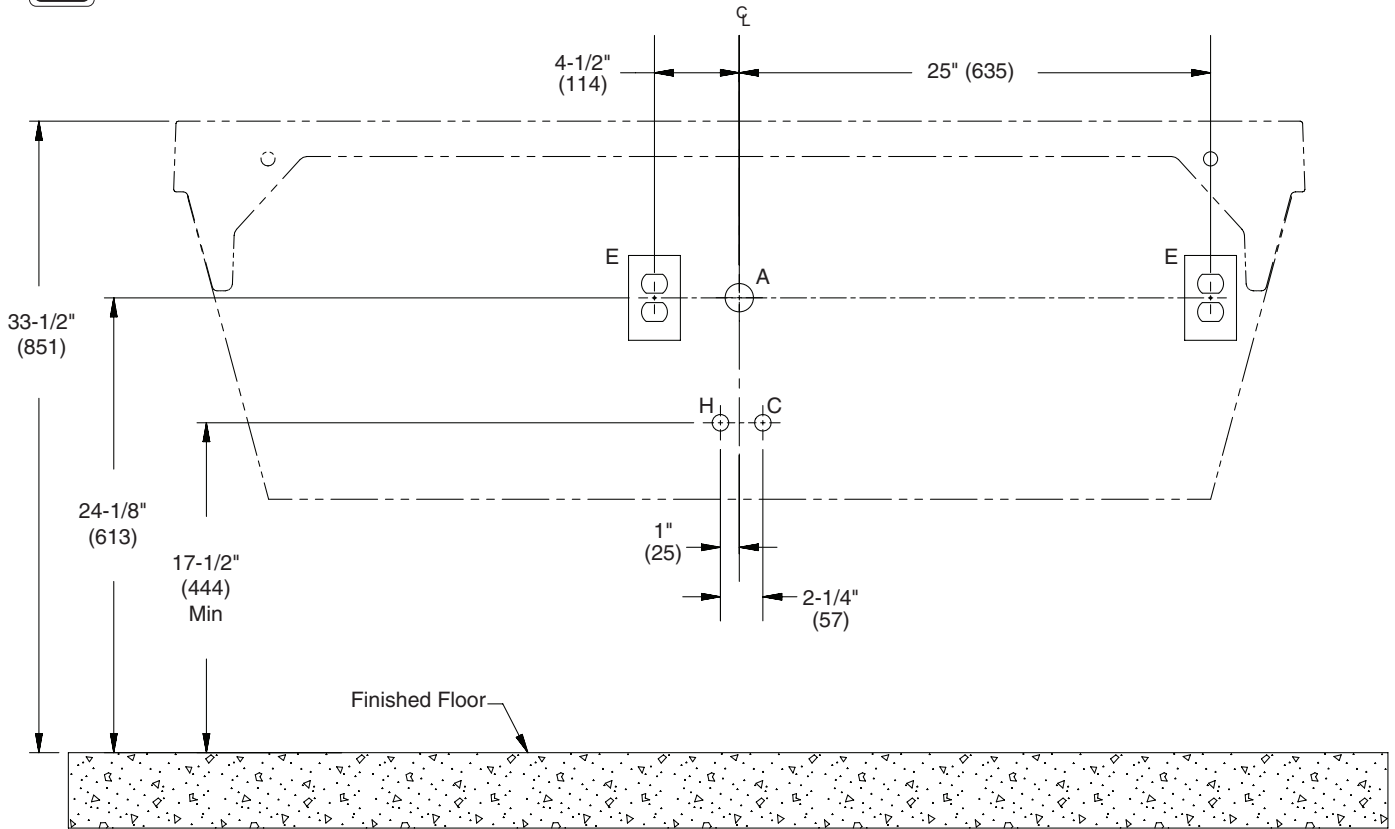
Verge® with WashBar™ Technology – LVQ-Series

Plumbing and Electrical Rough-Ins for LVQD2 Wash Basin

(mm)



Mounting for Standard, ADA and TAS height shown.



CODE	DESCRIPTION	QTY.
A	1½" NPT Drain, Stub-out 2" from wall	1
H,C	½" Nominal (¾" O.D. Comp.) Hot/Cold supplies, Stub-out 2" from wall	1
E	110V GFI protected electrical outlet (20 amp circuit)	2

Distributor/Wholesaler:	Date: 2/19/21
Project & Location:	
Model Number:	Qty:



- One piece plated stainless steel WashBar™ includes touch-free soap, water and hand dryer
- WashBar technology intuitively guides user and eliminates simultaneous activations
- Basin and drain engineered to evacuate water and dissipate air flow
- Single piece molded basin eliminates caulk lines and seams
- WashBar and basin system comes complete with mounting, access panel, drain assembly and plumbing connections

Specifications

The Verge LVQD3 Wash Basin is 90" in length and is designed to accommodate one to three users at a time with standard lavatory spacing positioned on 30" centers. The single piece All in One WashBar allows users to access soap, water and a hand dryer without leaving the hand washing station. The unit handles washroom traffic quickly and economically, while providing each user with personal space.

Construction

Basin

The basin has been designed to direct water to a trench drain and features a 300 series stainless steel drain cap. The basin and drain cap work together to evacuate water and dissipate airflow to prevent splashing on the user or floor. The basin is constructed of Evero Geo Series, a natural quartz surface made from a blend of bio-based resin, natural quartz, granite and other exotic minerals. It is made of 25% recycled content. Evero Pearl Series is a natural quartz surface made with bio-based resin, sea shells, recycled glass and natural quartz. It is made of 70% recycled content. Basin is available in all Evero colors.

Variations in the natural stone color, pattern, size, shape and shade are inherent. Due to these unique characteristics, please expect subtle shade variations when units are installed adjacent to each other.

WashBar™

All in One chrome-plated stainless steel WashBar includes touch-free soap, water and hand dryer. Load tested at 500 pounds, the WashBar is secured to the basin with two anti-rotational shanks. Blue LED lights help guide the user to the WashBar, indicating the three functions. The LED light will change from blue to green to signify that the function is in use. Each function is easily identified by the corresponding icon on the WashBar's top surface.

Sensors are programmed to eliminate simultaneous activations of nearby functions. Each sensor includes a turn-off delay of 1-2 seconds to aid in a smooth, controlled hand-washing and drying operation. WashBar sensors are not affected by varying skin tones or darkness. Smart technology allows the facilities manager or maintenance staff to clean and configure with ease.

Cleaning Mode

WashBar has an activation feature to put the unit into cleaning mode to allow for easy cleaning of the WashBar and basin without activating the functions.

Configuration Mode

The WashBar also has a configuration mode to identify how many cycles are on the soap, faucet and dryer. Mode also allows for dryer speed adjustment at low, medium and high levels.



Soap Dispenser

The soap dispenser is located on the left side of the WashBar. This eliminates any soap from dripping on counters or onto the floor, minimizing slip hazards and allows for easy cleaning. Choose between a foam or liquid soap dispenser, which are compatible with most bulk soaps. Soap system accommodates up to a 1 gallon container to reduce the number of soap replacements. When the LED light above the soap function turns to solid red, simply check the level and replace the soap container with a full container if necessary. The soap system includes an adapter to fit many 1 gallon soap containers available on the market.

Please visit <https://www.bradleycorp.com/maintenance/soap-dispensers> for soap recommendations.

Faucet

Faucet is located in the center of the WashBar and has a spray angle of approximately 17° off the vertical. Choose either a 0.5 gpm or 0.35 gpm PCA silicone tip, non-aerated spray pattern. Maximum run time is 30 seconds. The 0.5 gpm aerator option is the equivalent to 0.25 gpc and the 0.35 gpm aerator option is the equivalent to 0.18 gpc. Automatic 5 second purge within 24 hours of the last use. Recommended operating range is 20-80 psi.

Dryer

The hand dryer is located on the right side of the WashBar, allowing users to dry their hands immediately after washing. This virtually eliminates excess water on the floor. The dryer motor provides heated air at three speeds, high-medium-low, which can be field adjusted by placing the WashBar in configuration mode. The single sided dryer will dry hands in approximately 15 seconds depending on user preference. The decibel range with hands in air stream is 76 dB (high speed) to 64 dB (low speed). The dryer motor, located behind the access panel, is cCSAus listed.

Electrical

Total rated power of each WashBar station is 1200W. Each WashBar is powered by one 12V DC adapter that plugs directly into its dryer or the electrical outlet. The WashBar and dryer motor require a properly grounded dedicated 20 amp circuit, 120V outlet. One duplex outlet is required per station to power the WashBar and dryer.

Access Panel

Minimalistic panel is composed of decorative 300 series stainless steel. Plumbing components, dryer motor, and soap tank are concealed within the panel. The new swing down access panel is designed to ease the maintenance process by eliminating tools and only requires one person for installation. Top edge of the access panel has been hemmed to reduce sharpness.

Support Bracket

Bracket design allows for flexible stud or wall blocking anchor locations. Eliminates the need for in-wall carriers and frame. System is IAPMO certified to meet or exceed ANSI load requirements.

This plumbing fixture is designed for hand washing only. It is not intended to dispense water for human consumption through drinking or for preparation of food or beverages.

© 2018 Bradley

P.O. Box 309, Menomonee Falls, WI 53052-0309
800 BRADLEY (800 272 3539) +1 262 251 6000
bradleycorp.com

Distributor/Wholesaler:	Date: 2/19/21
Project & Location:	
Model Number:	Qty:



Models (Must select one)		
Model	Description	
<input type="checkbox"/> LVQD3	Verge with WashBar Technology – LVQ-Series, Three-Station	
Standard Selections (Must select one from each category)		
WashBar Type (select one)		
<input type="checkbox"/> WB1	Chrome-Plated WashBar with Infrared Control	
Aerator Type (select one)		
<input type="checkbox"/> A35	0.35 gpm PCA Silicone Tip, Non-Aerated	
<input type="checkbox"/> A50	0.50 gpm PCA Silicone Tip, Non-Aerated	
Soap Type (select one)		
<input type="checkbox"/> FSD	Foam Soap Dispenser - 1 gallon soap container by others	
<input type="checkbox"/> LSD	Liquid Soap Dispenser - 1 gallon soap container by others	
Hand Dryer Type (select one)		
<input type="checkbox"/> HD1	DC Motor 120v/60hz, 20 Amp	
Trench Drain Cap Type (select one)		
<input type="checkbox"/> DR1	Stainless Steel Trench Drain Cap	
Water Supply Type (select one)		
<input type="checkbox"/> TMA	Navigator® Thermostatic Mixing Assembly w/Stops and Hot and Cold Supply Hoses	
<input type="checkbox"/> NONE	Single Tempered Line Assembly (Supply Hose and Shut-Offs Included)	
Color of Evero® Basin (select one)		
<i>Geo Series</i>		
<input type="checkbox"/> ANDORRA Andorra	<input type="checkbox"/> EVEREST Everest	<input type="checkbox"/> MYKONOS Mykonos
<input type="checkbox"/> ANTARCTICA Antarctica	<input type="checkbox"/> GLACIER Glacier Bay	<input type="checkbox"/> PATAGONIA Patagonia
<input type="checkbox"/> BLACK-SEA Black Sea	<input type="checkbox"/> KALAHARI Kalahari	<input type="checkbox"/> SIERRA Sierra Madre
<input type="checkbox"/> DENALI Denali	<input type="checkbox"/> MOJAVE Mojave	<input type="checkbox"/> YUKON Yukon
<i>Pearl Series (available at an additional charge) (Non-cancelable, non-returnable)</i>		
<input type="checkbox"/> AKOYA Akoya	<input type="checkbox"/> BLACK-MOON Black Moon	
Access Panel Type (select one)		
<input type="checkbox"/> STAIN	Swing Down Stainless Steel	
Access Panel Fastener Type (select one)		
<input type="checkbox"/> TS	Thumb Screw	
<input type="checkbox"/> VS	Vandal Resistant Screw	
Waste Assembly Type (select one)		
<input type="checkbox"/> S-POLY	Single Polypropylene P-Trap	
<input type="checkbox"/> S-CHROME	Single Chrome Plated P-Trap	

Strainer and Drain Assembly System

Strainer and drain assembly system comes complete with 300 series stainless steel trench drain cap, tailpiece and polypropylene p-trap. Optional chrome plated p-trap available. The multi-station system is configured with one drain and one set of supplies to reduce the cost associated with individual drains and supplies.

Mounting Heights

Standard Height Mounting

The standard height hand washing stations are to be mounted with a 33-1/2" rim height to comply with ADA/TAS reaches and clearances.

Juvenile Height Mounting

The juvenile height hand washing stations are designed to be mounted at 30-1/2" rim height to comply with ADA/TAS reaches and clearances.

Code Compliance and Certifications

ANSI Standards

Evero Natural Quartz Surface meets the requirements of CSA B45.5/IAPMO Z124.

cUPC Approval

Verge Lavatory is Uniform Plumbing Code (UPC), International Plumbing Code (IPC) and National Plumbing Code of Canada (NPC) approved through the International Association of Plumbing and Mechanical Officials (IAPMO). Manufactured in compliance with IGC 127-2014 Combined Hand Washing Systems, IGC 156, CSA B45 Series (R08) & ASME A112.18.1/CSA B125.1.

Standard product selections contained within this document are third party **CERTIFIED** to NSF/ANSI 372 meeting the Lead-Free content requirement. Any product configured with custom options will be **COMPLIANT** with NSF/ANSI 372 meeting the Lead-Free content requirement.



Distributor/Wholesaler:	Date: 2/19/21
Project & Location:	
Model Number:	Qty:

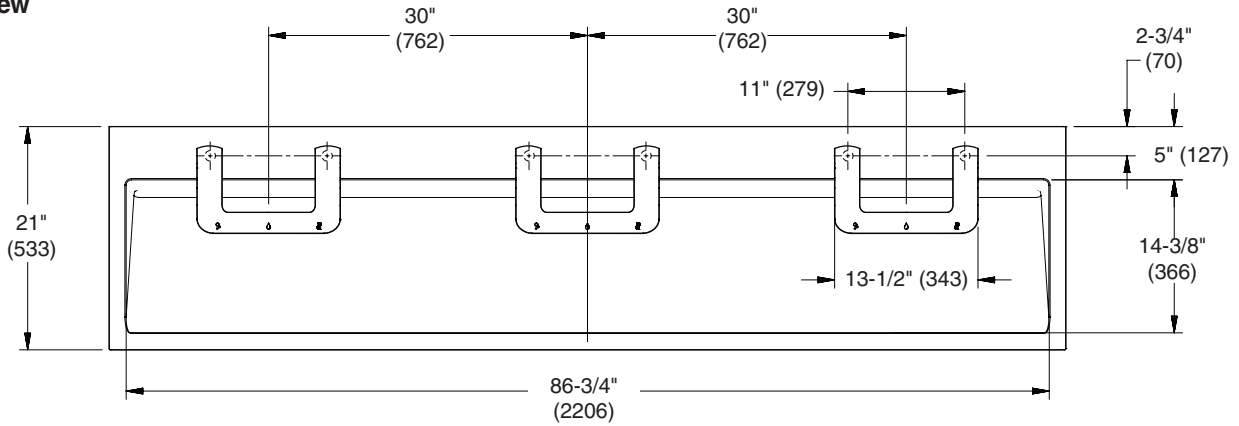


LVQD3 Verge® with WashBar™ Technology – LVQ-Series

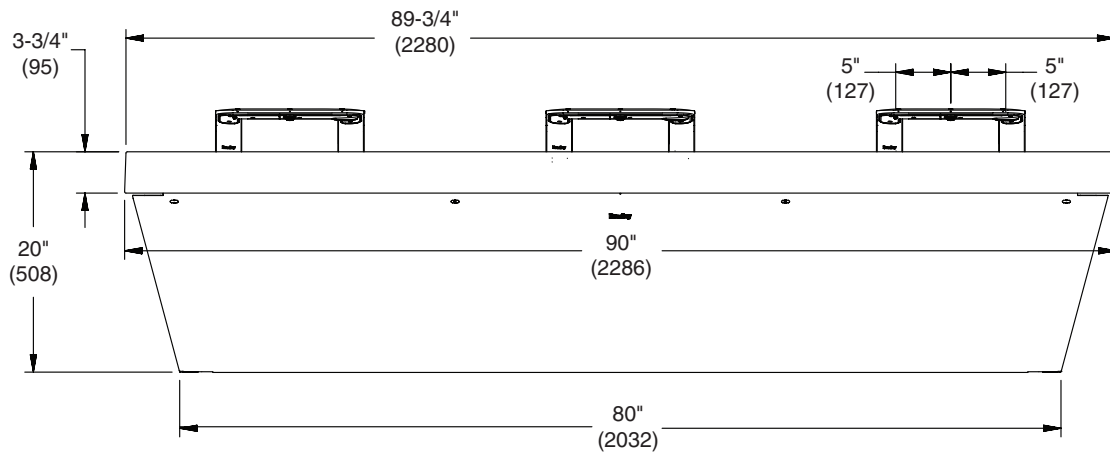
Dimensions for LVQD3 Wash Basin

(mm)

Top View



Front View



Distributor/Wholesaler:	Date: 2/19/21
Project & Location:	
Model Number:	Qty:



LVQD3

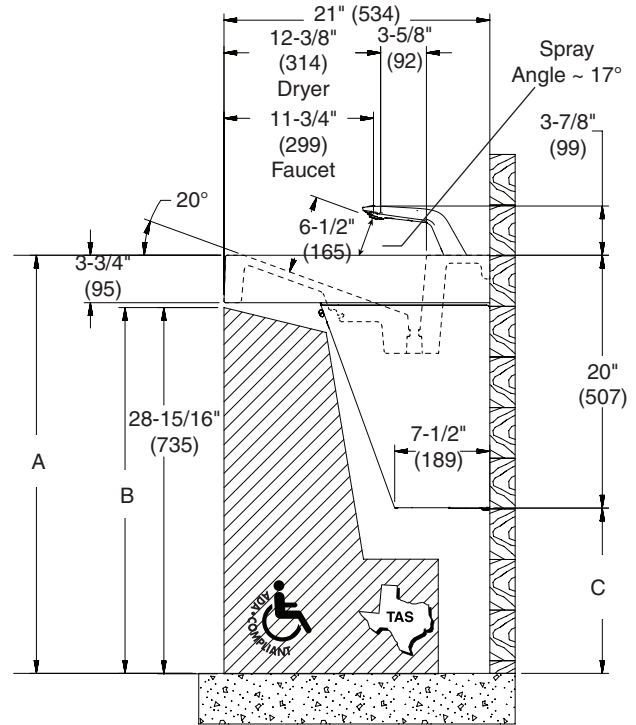
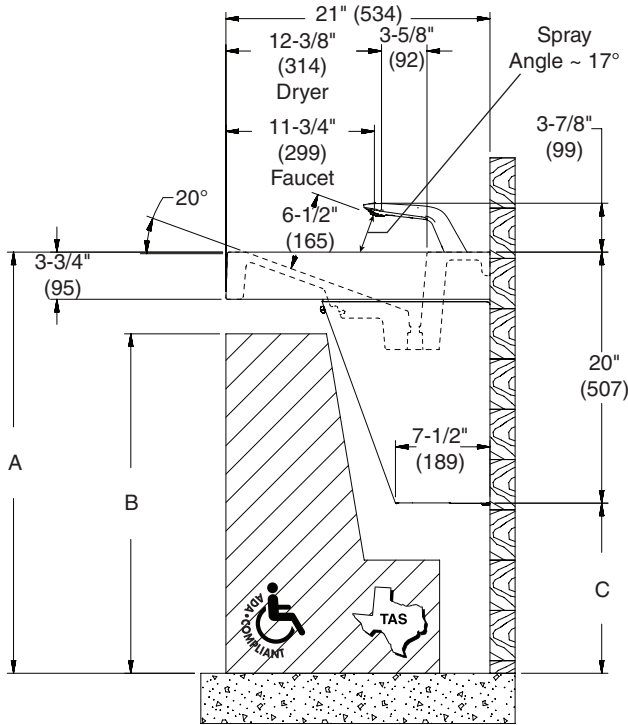
Verge® with WashBar™ Technology – LVQ-Series

Dimensions for LVQD3 Wash Basin

(mm)

Side View

Side View - Canadian Standards



	ADA/TAS Standard Height	ADA/TAS Juvenile Height (Children 6-12 years)
Dim A	33-1/2" (851mm)	30-1/2" (775mm)
Dim B	27" (686mm)	24" (610mm)
Dim C	13-1/2" (343mm)	10-1/2" (267mm)

	CSA Standard Height
Dim A	33-1/2" (851mm)
Dim B	29-29/32" (760mm)
Dim C	13-1/2" (536mm)

Distributor/Wholesaler:	Date: 2/19/21
Project & Location:	
Model Number:	Qty:



Structural Rough-Ins for LVQD3 Wash Basin



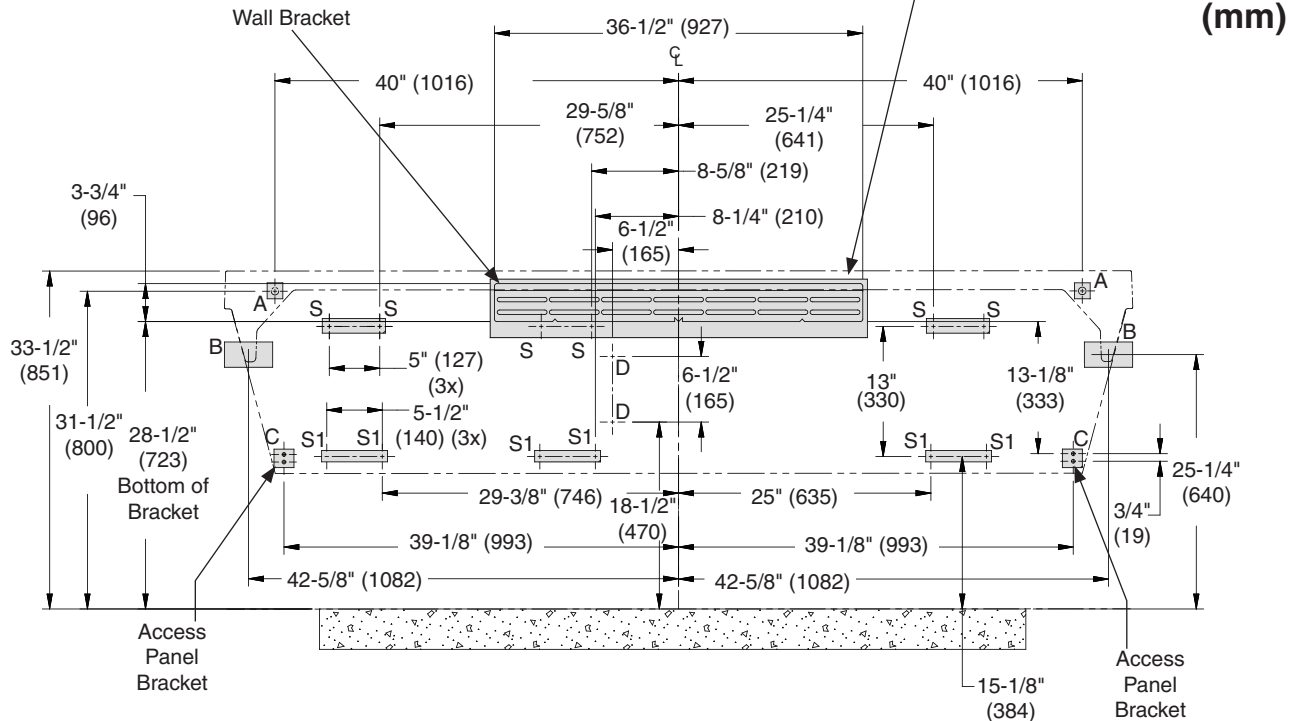
Mounting for Standard, ADA and TAS height shown.



Points A, B and C require sufficient backing compliant with local building codes.

⚠ WARNING Ensure bowl is completely seated in the wall bracket and securely fastened to the wall at point A.

Secure bracket to wall using min. (2) 3/8" anchor bolts to the left of C/L and min. (2) 3/8" anchor bolts to the right of C/L. The (2) anchor bolts to the right of C/L must be min. 16" apart from the anchor bolts to the left of C/L. When mounting is complete, check to ensure the bracket is level. See Step 1: Bracket Mounting for more information.



CODE	DESCRIPTION	QTY.
A	Install (1) 3/8" wall anchor with a minimum pull-out force of 1,000 lbs. per local codes at locations shown	2
B	Provide structural backing compliant with local building codes.	2
C	Install wall anchor with a minimum pull-out force of 100 lbs. per local codes at locations shown	2
S	#10 Wall Anchors for Soap Control Box Bracket	2
S1	#10 Wall Anchors for Soap Tank Bracket (100 lb pull out)	2

RIM HEIGHT	VERTICAL HEIGHT ADJUSTMENTS	FIXTURE STYLE
33 1/2"	No Adjustment	Standard Height, ADA, TAS and CSA
30 1/2"	Subtract 3"	Juvenile, ADA and TAS

Distributor/Wholesaler:	Date: 2/19/21
Project & Location:	
Model Number:	Qty:



LVQD3

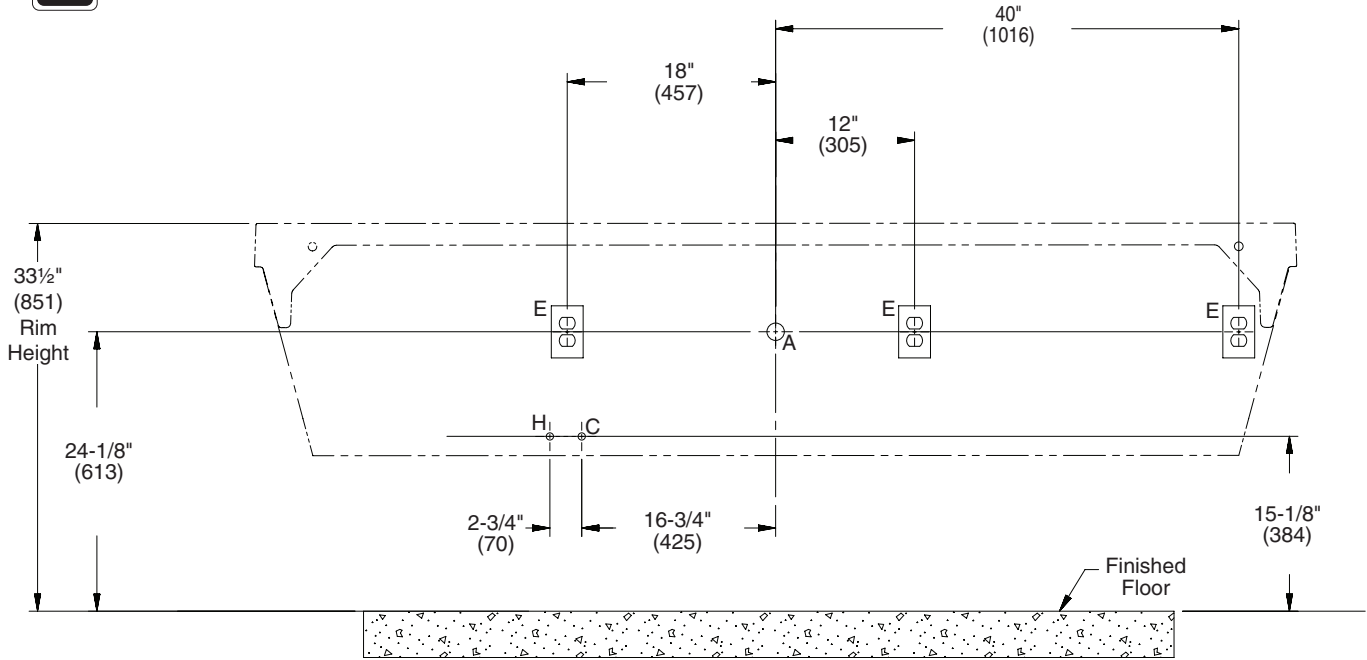
Verge® with WashBar™ Technology – LVQ-Series

Plumbing and Electrical Rough-Ins for LVQD3 Wash Basin

(mm)



Mounting for Standard, ADA and TAS height shown.



CODE	DESCRIPTION	QTY.
A	1½" NPT Drain, Stub-out 2" from wall	1
H,C	½" Nominal (⅝" O.D. Comp.) Hot/Cold supplies, Stub-out 2" from wall	1
E	110V GFI protected electrical outlet (20 amp circuit)	3

Distributor/Wholesaler:	Date: 2/19/21
Project & Location:	
Model Number:	Qty:



LVSD3

Verge® Wash Basin – LVS-Series

- Sophisticated design integrates a linear open concept with personal space
- Single piece molded design eliminates caulk lines and seams
- Standard system comes complete with mounting, access panel, drain assembly and plumbing connections

Specifications

Accommodates one to three users. The units handle washroom traffic quickly and economically, while providing each user with personal space. The Verge® Wash Basin is designed with standard lavatory spacing positioned on 30" centers.

Construction

Basin

Evero® Geo Series is a natural quartz surface made from a blend of bio-based resin, natural quartz, granite and other exotic minerals. It is made of 25% recycled content.

Evero Pearl Series is a natural quartz surface made with bio-based resin, sea shells, recycled glass and natural quartz. It is made of 70% recycled content.

Variations in the natural stone color, pattern, size, shape and shade are inherent. Due to these unique characteristics, please expect subtle shade variations when units are installed adjacent to each other.

Access Panel

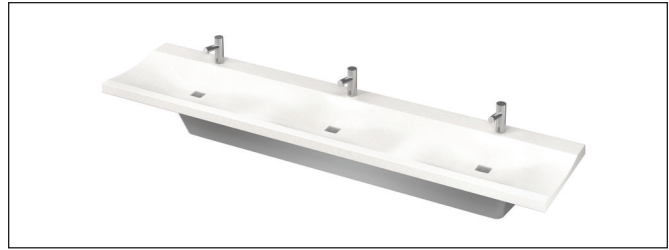
Minimalistic panel is composed of decorative 300 series stainless steel. Water supplies, valves, waste assembly and other optional items are concealed within the panel. The panel requires only one person for installation and removal.

Support Bracket

Bracket design allows for flexible stud or wall blocking anchor locations. Eliminates the need for in-wall carriers. IAPMO certified to meet or exceed ANSI load requirements.

Faucet Options

Choose from 0.5 GPM CAP-DCA, IR-DCD or IR-DCG which have been tested for fit and performance. Other compatible faucets include the Aerada 900 series Futura faucet, Aerada 1100 series High Arc faucets and the Aerada 1200 series CS faucet. For more information on these standard faucet options, please enter the model number in the search box at bradleycorp.com. 4" centerset and centershank faucet drillings are available for faucets by others. To maximize handwashing space and minimize splashing, Bradley recommends a faucet reach between 4" and 6". Dimension is measured from shank centerline to aerator centerline.



Soap Dispensers

Choose from our 6334, 6324-68 or 6315 soap dispensers, which have been tested for fit and performance. For more information on these soap dispenser options, please enter the model number in the search box at bradleycorp.com. Dispensers can be arranged as personal soap (dispensers next to each faucet) or shared soap (dispensers in between faucets). See page 3 for drilling locations. Soap drillings available for soap by others.

Strainer and Drain Assembly System

Strainer and drain assembly system comes complete with plungable 300 series stainless steel strainers, tailpiece and polypropylene p-trap. Optional chrome plated p-trap available.

Mounting Heights

Standard Height Mounting

The standard height hand washing stations are to be mounted with a 33-1/2" rim height to comply with ADA/TAS reaches and clearances.

Juvenile Height Mounting

The juvenile height hand washing stations are designed to be mounted at 30-1/2" rim height to comply with ADA/TAS reaches and clearances.

OBC Height Mounting

The Ontario Building Code hand washing stations are designed to be mounted at a 33" maximum rim height to comply with OBC reaches and clearances.

This plumbing fixture is designed for hand washing only. It is not Intended to dispense water for human consumption through drinking or for preparation of food or beverages.

Distributor/Wholesaler:	Date: 2/19/21
Project & Location:	
Model Number:	Qty:



LVSD3

Verge® Wash Basin – LVS-Series

Models (Must select one)		
Model	Description	
<input type="checkbox"/> LVSD3	Verge Wash Basin – LVS-Series, Three-Station	
Standard Selections (Must select one from each category)		
Faucet Type (select one)		
<input type="checkbox"/> IR-DCG	Infrared Faucet Battery	
<input type="checkbox"/> IR-DCD	Infrared Faucet Battery	
<input type="checkbox"/> CAP-DCA	Capacitive Faucet Battery	
<input type="checkbox"/> SHANK	Centershank Drilling (1-1/4" Drilling Only)	
<input type="checkbox"/> 4" SET	4" Centerset Drilling (1-1/4" Drillings Only)	
Soap Location Type (select one)		
<input type="checkbox"/> SSD	Shared Soap Drilling (located in between faucets) (2 drillings)	
<input type="checkbox"/> PSD	Personal Soap Drilling (next to each faucet) (3 drillings)	
<input type="checkbox"/> NSD	No Soap Dispenser/No Drilling	
NOTE: When selecting PSD, the right station soap dispenser will be located to the left of the faucet. When selecting SSD, the soap dispenser is located above the elevated section of the basin.		
Please reference page 3 for soap drilling locations.		
Soap Dispenser Type (select one)		
<input type="checkbox"/> 6324-68	32 oz. Plastic Globe, 4" Spout	
<input type="checkbox"/> 6315-KT0000	Battery IR Metering Soap Dispenser Kit (with batteries and 1,000-shot soap)	
<input type="checkbox"/> 6334	16 oz. Plastic Globe, 3-1/2" Spout	
<input type="checkbox"/> SDO	1-1/4" Soap Drilling Only	
Water Supply Type (select one)		
<input type="checkbox"/> TMA	Navigator® Thermostatic Mixing Assembly w/Stops and Hot and Cold Supply Hoses	
<input type="checkbox"/> NONE	Single Tempered Line Assembly (Supply Hoses and Shut-Offs Included)	
Color of Evero® Basin (select one)		
<i>Geo Series</i>		
<input type="checkbox"/> ANDORRA Andorra	<input type="checkbox"/> EVEREST Everest	<input type="checkbox"/> MYKONOS Mykonos
<input type="checkbox"/> ANTARCTICA Antarctica	<input type="checkbox"/> GLACIER Glacier Bay	<input type="checkbox"/> PATAGONIA Patagonia
<input type="checkbox"/> BLACK-SEA Black Sea	<input type="checkbox"/> KALAHARI Kalahari	<input type="checkbox"/> SIERRA Sierra Madre
<input type="checkbox"/> DENALI Denali	<input type="checkbox"/> MOJAVE Mojave	<input type="checkbox"/> YUKON Yukon
<i>Pearl Series (available at an additional charge) (Non-cancelable, non-returnable)</i>		
<input type="checkbox"/> AKOYA Akoya	<input type="checkbox"/> BLACK-MOON Black Moon	
Access Panel Type (select one)		
<input type="checkbox"/> STAIN	Stainless Steel	
Waste Assembly Type (select one)		
<input type="checkbox"/> IW-POLY	Polypropylene (1 p-trap per station)	
<input type="checkbox"/> IW-CHROME	Chrome-Plated (1 p-trap per station)	
Optional Selections		
Faucet Adapter Type:		
<input type="checkbox"/> PT	Plug-in adapter to convert battery operated CAP-DCA, IR-DCD or IR-DCG	
Soap Adapter Type:		
<input type="checkbox"/> P19-231F	Plug-in adapter - 6315 soap dispenser (must order as a separate line item)	

Code Compliance and Certifications

ANSI Standards

Evero Natural Quartz Surface meets the requirements of CSA B45.5/IAPMO Z124.

cUPC Approval

Verge Wash Basin is Uniform Plumbing Code (UPC), International Plumbing Code (IPC) and National Plumbing Code of Canada (NPC) approved through the International Association of Plumbing and Mechanical Officials (IAPMO). Manufactured in compliance with IGC 156, CSA B45 Series (R08) & ASME A112.18.1/CSA B125.1.



Standard product selections contained within this document are third party **CERTIFIED** to NSF/ANSI 372 meeting the Lead-Free content requirement. Any product configured with custom options will be **COMPLIANT** with NSF/ANSI 372 meeting the Lead-Free content requirement.



Distributor/Wholesaler:	Date: 2/19/21
Project & Location:	
Model Number:	Qty:

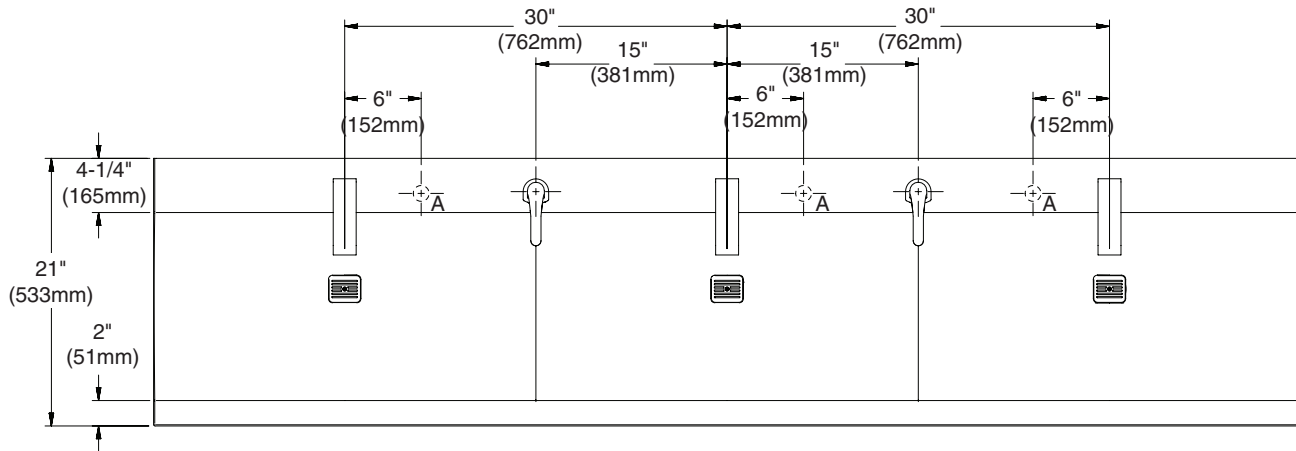


LVSD3

Verge® Wash Basin – LVS-Series

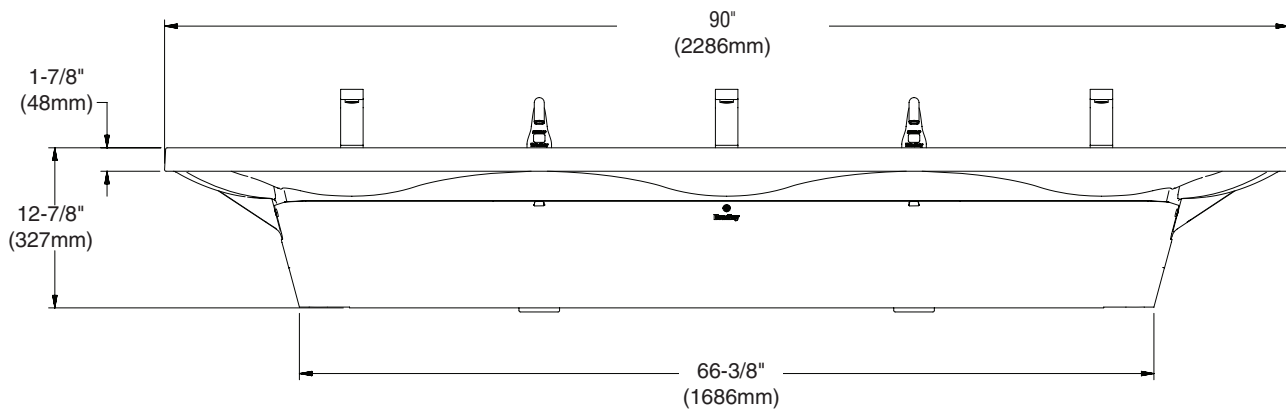
Dimensions for LVSD3 Verge Wash Basin (Shown with CAP-DCA Faucet and 6315 Soap as shared soap)

Top View



A = Personal soap locations

Front View



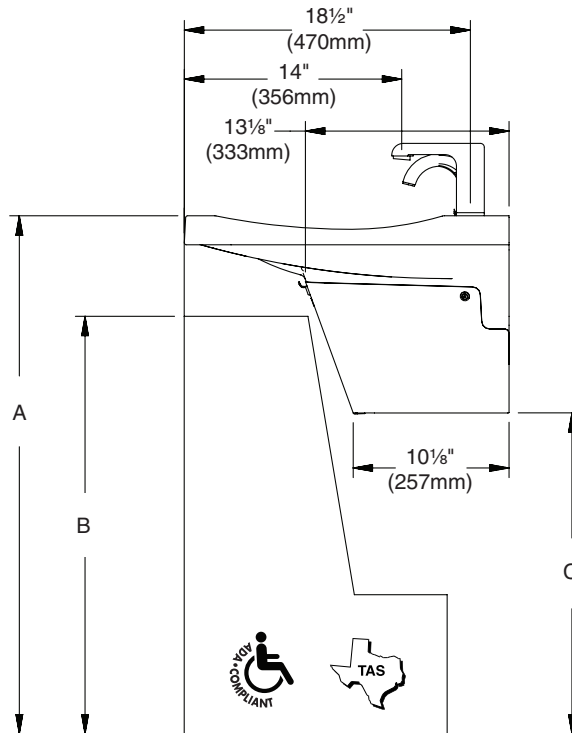
Distributor/Wholesaler:	Date: 2/19/21
Project & Location:	
Model Number:	Qty:



LVSD3 Verge® Wash Basin – LVS-Series

Dimensions for LVSD3 Verge Wash Basin

Side View



	ADA/TAS Standard Height	ADA/TAS Juvenile Height (Children 6-12 years)	CSA Standard Height	OBC Standard Height
Dim A	33½" (851mm)	30½" (787mm)	33½" (851mm)	33" (838mm)
Dim B	27" (686mm)	24" (610mm)	29⅝" (752mm)	28⅞" (735mm)
Dim C	20¾" (527mm)	18¼" (464mm)	21⅞" (536mm)	20¼" (514mm)

Distributor/Wholesaler:	Date: 2/19/21
Project & Location:	
Model Number:	Qty:



LVSD3

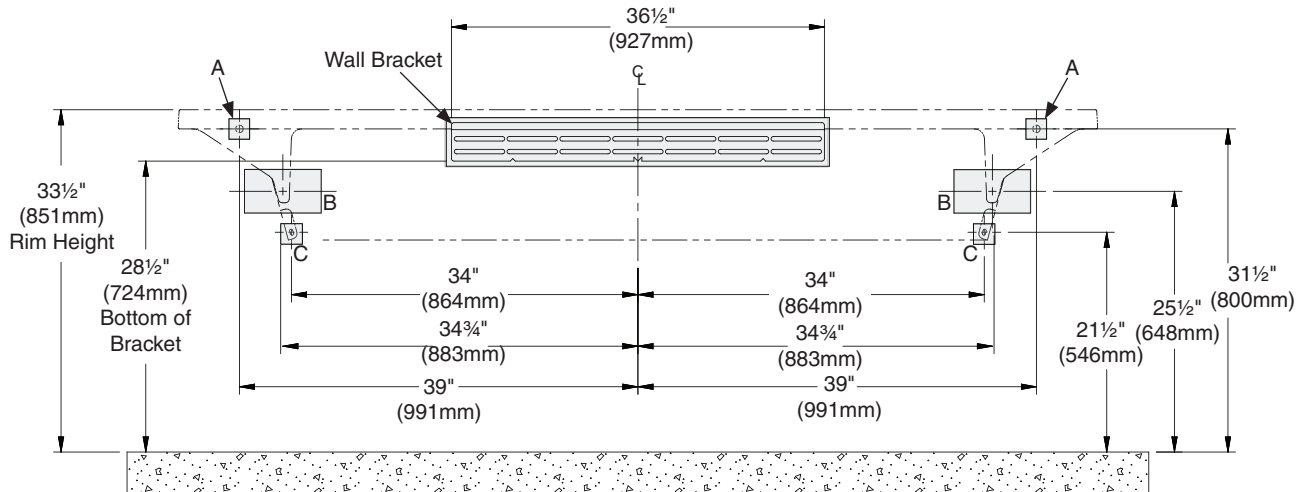
Verge® Wash Basin – LVS-Series

Structural Rough-Ins for LVSD3 Verge Wash Basin

⚠ WARNING Ensure bowl is completely seated in the wall bracket and securely fastened to the wall at point A.

Mounting for Standard, ADA and TAS height shown.

Points A and B require sufficient backing compliant with local building codes.



CODE	DESCRIPTION	QTY.
A	Install (1) 3/8" wall anchor with a minimum pull-out force of 1,000 lbs. per local codes at locations shown	2
B	Provide structural backing compliant with local building codes.	2
C	Install wall anchor with a minimum pull-out force of 100 lbs. per local codes at locations shown	2

RIM HEIGHT	VERTICAL HEIGHT ADJUSTMENTS	FIXTURE STYLE
33 1/2"	No Adjustment	Standard Height, ADA, TAS and CSA
30 1/2"	Subtract 3"	Juvenile, ADA and TAS
33"	Subtract 1/2"	OBC

Distributor/Wholesaler:	Date: 2/19/21
Project & Location:	
Model Number:	Qty:



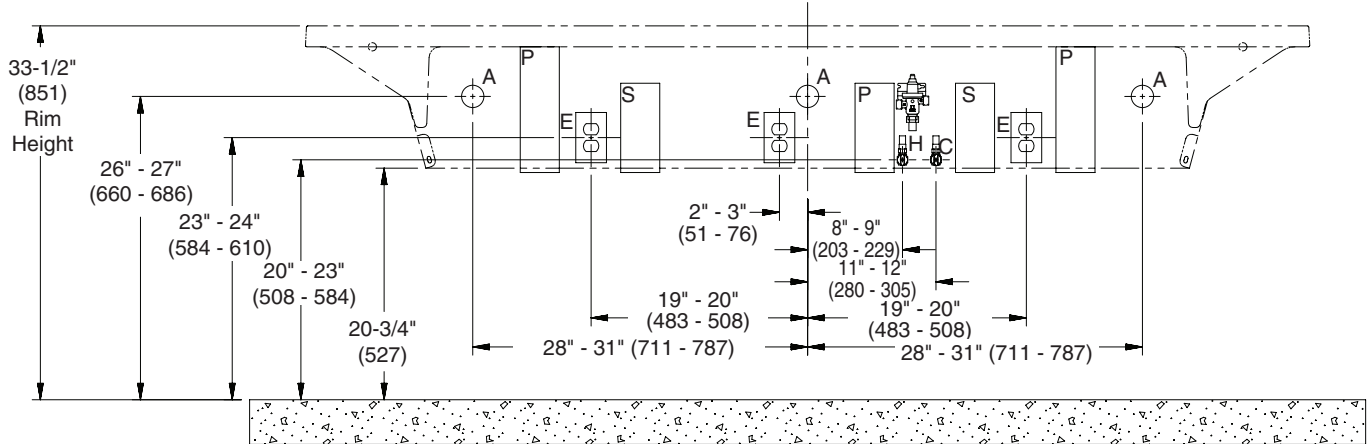
LVSD3 Verge® Wash Basin – LVS-Series

Plumbing and Electrical Rough-Ins for LVSD3 Wash Basin

(mm)



Mounting for Standard, ADA and TAS height shown.



CODE	DESCRIPTION	QTY.
A	1-1/2" NPT Drain, Stub-out 2" from wall, individual waste option	3
H,C	1/2" Nominal (5/8" O.D. Comp.) Hot/Cold supplies, Stub-out 2" from wall	1
E	110V GFI protected electrical outlet (AC faucet and soap only)	3
S	Outline of shared soap container (if selected)	2
P	Outline of personal soap container (if selected)	3

Distributor/Wholesaler:	Date: 2/19/21
Project & Location:	
Model Number:	Qty:



LVRD1 Verge® Wash Basin – LVR-Series

- ADA and TAS Compliant
- Serves One User at a Time
- Elongated Basin is Constructed of Evero® Natural Quartz Surface
- Select a Bradley Faucet or Faucet by Others
- Available in a variety of colors

Specifications

Accommodates one user. The units handle washroom traffic quickly and economically, while providing each user with personal space.

Construction

Basin

Evero Geo Series is a natural quartz surface made from a blend of bio-based resin, natural quartz, granite and other exotic minerals. It is made of 25% recycled content.

Evero Pearl Series is a natural quartz surface made with bio-based resin, sea shells, recycled glass and natural quartz. It is made of 70% recycled content.

- Variations in the natural stone color, pattern, size, shape and shade are inherent. Due to these unique characteristics, please expect subtle shade variations when units are installed adjacent to each other.

Access Panel

Panel is composed of decorative 300 series stainless steel.

Support Frame

Basin assembly and access panel are secured to a heavy gauge stainless steel support frame mounted to wall.

Vandal Resistance

Water supplies, valves, waste assembly and other optional items are concealed within the panel/frame.

Faucet Options

There are several hands-free faucet options available with the Verge Wash Basin. Choose from CAP-DCA, IR-DCD or IR-DCG. For more information on these standard faucet options and plug-in adapters, please enter the model number in the search box at www.bradleycorp.com. 4" Centerset and Centershank faucet hole drillings are available for faucets by others.

Code Compliance and Certifications

ANSI Standards

Evero Natural Quartz Surface meets the requirements of CSA B45.5/IAPMO Z124.

cUPC Approval

Verge Wash Basin is Uniform Plumbing Code (UPC), International Plumbing Code (IPC) and National Plumbing Code of Canada (NPC) approved through the International Association of Plumbing and Mechanical Officials (IAPMO). Manufactured in compliance with IGC 156, CSA B45 Series (R08) & ASME A112.18.1/CSA B125.1.

- This plumbing fixture is designed for hand washing only. It is not Intended to dispense water for human consumption through drinking or for preparation of food or beverages.

- Standard product selections contained within this document are third party **CERTIFIED** to NSF/ANSI 372 meeting the Lead-Free content requirement. Any product configured with custom options will be **COMPLIANT** with NSF/ANSI 372 meeting the Lead-Free content requirement.

Protected by one or more of the following U.S. Patents: D629,877 S; D640,778 S; and D649,232 S.

Page 1 of 4 4/20/2018
This information is subject to change without notice.
Bradley_Sink_Verge_LVRD1



Models (Must select one)

- | Model | Description |
|--------------------------------|---|
| <input type="checkbox"/> LVRD1 | Verge Wash Basin – LVRD-Series, One-Station |

Standard Selections (Must select one from each category)

Faucet Type (select one)

- | | | | |
|----------------------------------|---------------------------|---------------------------------|---|
| <input type="checkbox"/> IR-DCG | Infrared Faucet Battery | <input type="checkbox"/> 4" SET | 4" Centerset Drilling (1-1/4" Drillings Only) |
| <input type="checkbox"/> IR-DCD | Infrared Faucet Battery | <input type="checkbox"/> SHANK | Centershank Drilling (1-1/4" Drillings Only) |
| <input type="checkbox"/> CAP-DCA | Capacitive Faucet Battery | | |

Soap Dispenser Type (select one)

- | | |
|--------------------------------------|---|
| <input type="checkbox"/> 6324-68 | 32-oz. Plastic Globe, 4" Spout |
| <input type="checkbox"/> 6315-KT0000 | Battery IR Metering Soap Dispenser Kit (with batteries and 1,000-shot soap) |
| <input type="checkbox"/> 6334 | 16 oz. Plastic Globe, 3-1/2" Spout |
| <input type="checkbox"/> SDO | 1-1/4" Soap Drilling Only |
| <input type="checkbox"/> NSD | No Soap Dispenser/No Drilling |

Water Supply Type (select one)

- | | |
|-------------------------------|--|
| <input type="checkbox"/> TMA | Navigator® Thermostatic Mixing Assembly (Hot and Cold Supplies) w/Stops and Supply Hoses |
| <input type="checkbox"/> NONE | No Valve Option Selected (includes stops and supply hoses) |

Color of Evero® Basin (select one)

Geo Series

- | | | | | | |
|-------------------------------------|------------|-----------------------------------|-------------|------------------------------------|--------------|
| <input type="checkbox"/> ANDORRA | Andorra | <input type="checkbox"/> EVEREST | Everest | <input type="checkbox"/> MYKONOS | Mykonos |
| <input type="checkbox"/> ANTARCTICA | Antarctica | <input type="checkbox"/> GLACIER | Glacier Bay | <input type="checkbox"/> PATAGONIA | Patagonia |
| <input type="checkbox"/> BLACK-SEA | Black Sea | <input type="checkbox"/> KALAHARI | Kalahari | <input type="checkbox"/> SIERRA | Sierra Madre |
| <input type="checkbox"/> DENALI | Denali | <input type="checkbox"/> MOJAVE | Mojave | <input type="checkbox"/> YUKON | Yukon |

Pearl Series (available at an additional charge) (Non-cancelable, non-returnable)

- | | | | |
|--------------------------------|-------|-------------------------------------|------------|
| <input type="checkbox"/> AKOYA | Akoya | <input type="checkbox"/> BLACK-MOON | Black Moon |
|--------------------------------|-------|-------------------------------------|------------|

Access Panel Type (select one)

- | | |
|--------------------------------|-----------------|
| <input type="checkbox"/> STAIN | Stainless Steel |
|--------------------------------|-----------------|

Waste Assembly Type:

- | | |
|-----------------------------------|-------------------------------------|
| <input type="checkbox"/> S-POLY | Single Plastic Polypropylene P-Trap |
| <input type="checkbox"/> S-CHROME | Single Chrome-Plated P-Trap |

Optional Selections

Faucet Adapter Type:

- | | |
|-----------------------------|---|
| <input type="checkbox"/> PT | Plug-in adapter to convert battery operated CAP-DCA, IR-DCD or IR-DCG |
|-----------------------------|---|

Soap Adapter Type:

- | | |
|-----------------------------------|--|
| <input type="checkbox"/> P19-231F | Plug-in adapter - 6315 soap dispenser (must order as a separate line item) |
|-----------------------------------|--|

For more information on Evero Natural Quartz Surface, faucets, valves, transformers, and the soap dispensers, please visit bradleycorp.com.



© 2018 Bradley
P.O. Box 309, Menomonee Falls, WI 53052-0309
800 BRADLEY (800 272 3539) +1 262 251 6000
bradleycorp.com

Distributor/Wholesaler:

Date: 2/19/21

Project & Location:

Model Number:

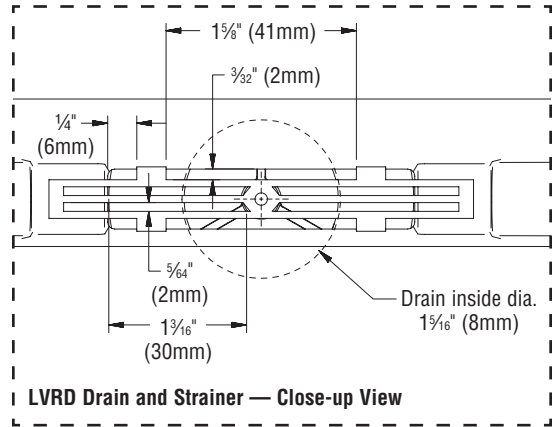
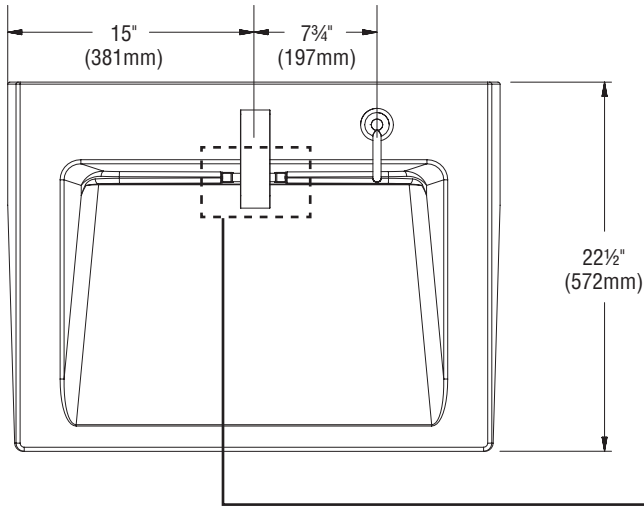
Qty:



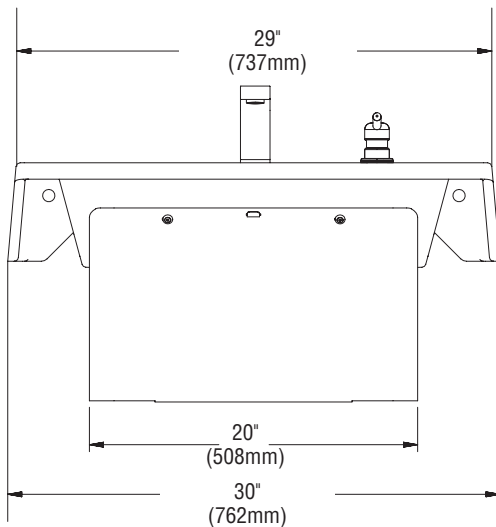
LVRD1 Verge® Wash Basin – LVR-Series

Dimensions for LVRD1 Verge Wash Basin

Top View



Front View

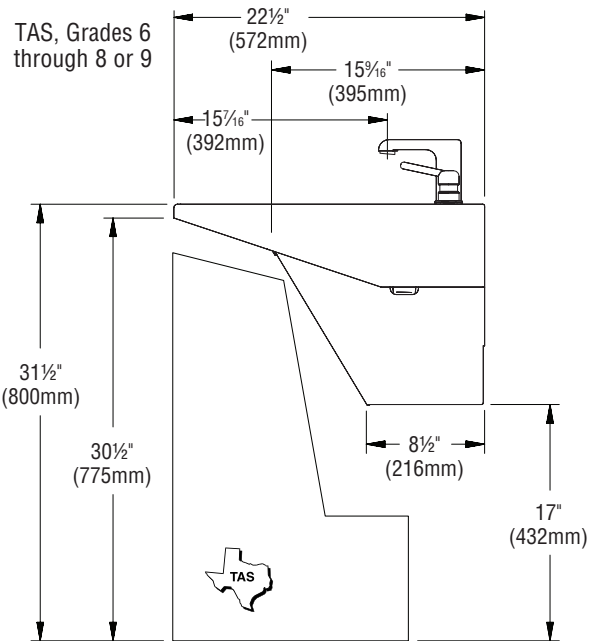
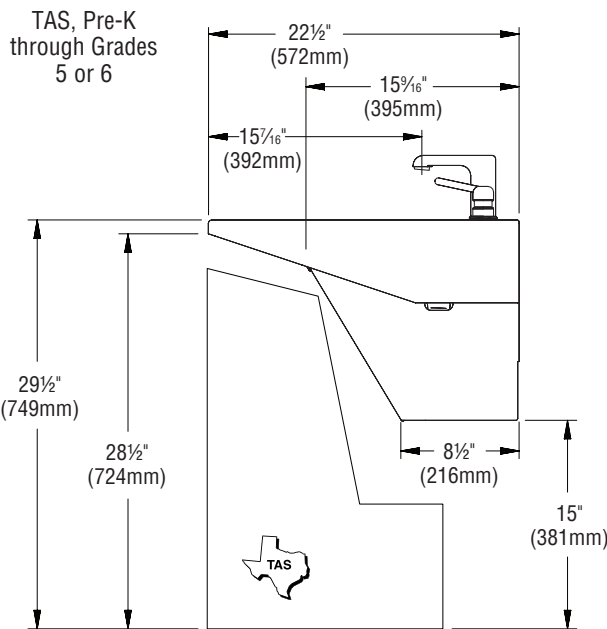
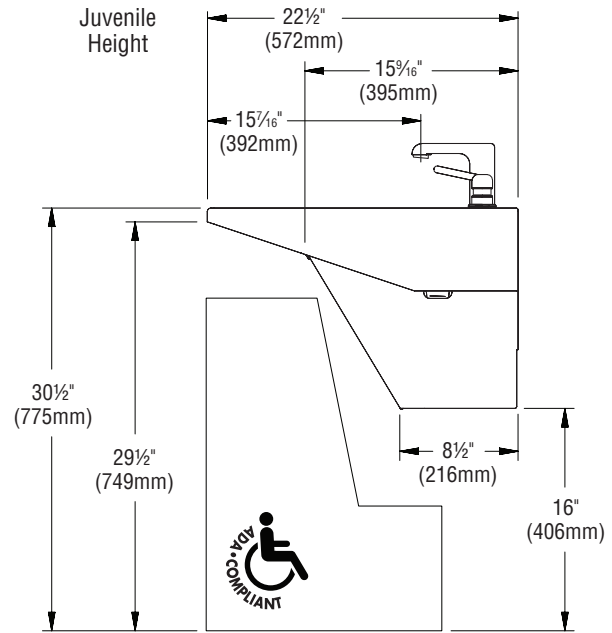
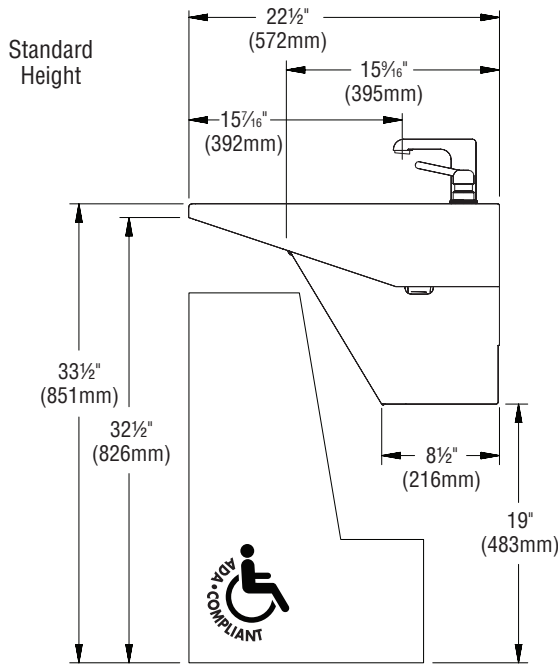


Distributor/Wholesaler:	Date: 2/19/21
Project & Location:	
Model Number:	Qty:



LVRD1 Verge® Wash Basin – LVR-Series

Dimensions for LVRD1 Verge Wash Basin



Distributor/Wholesaler:

Date: 2/19/21

Project & Location:

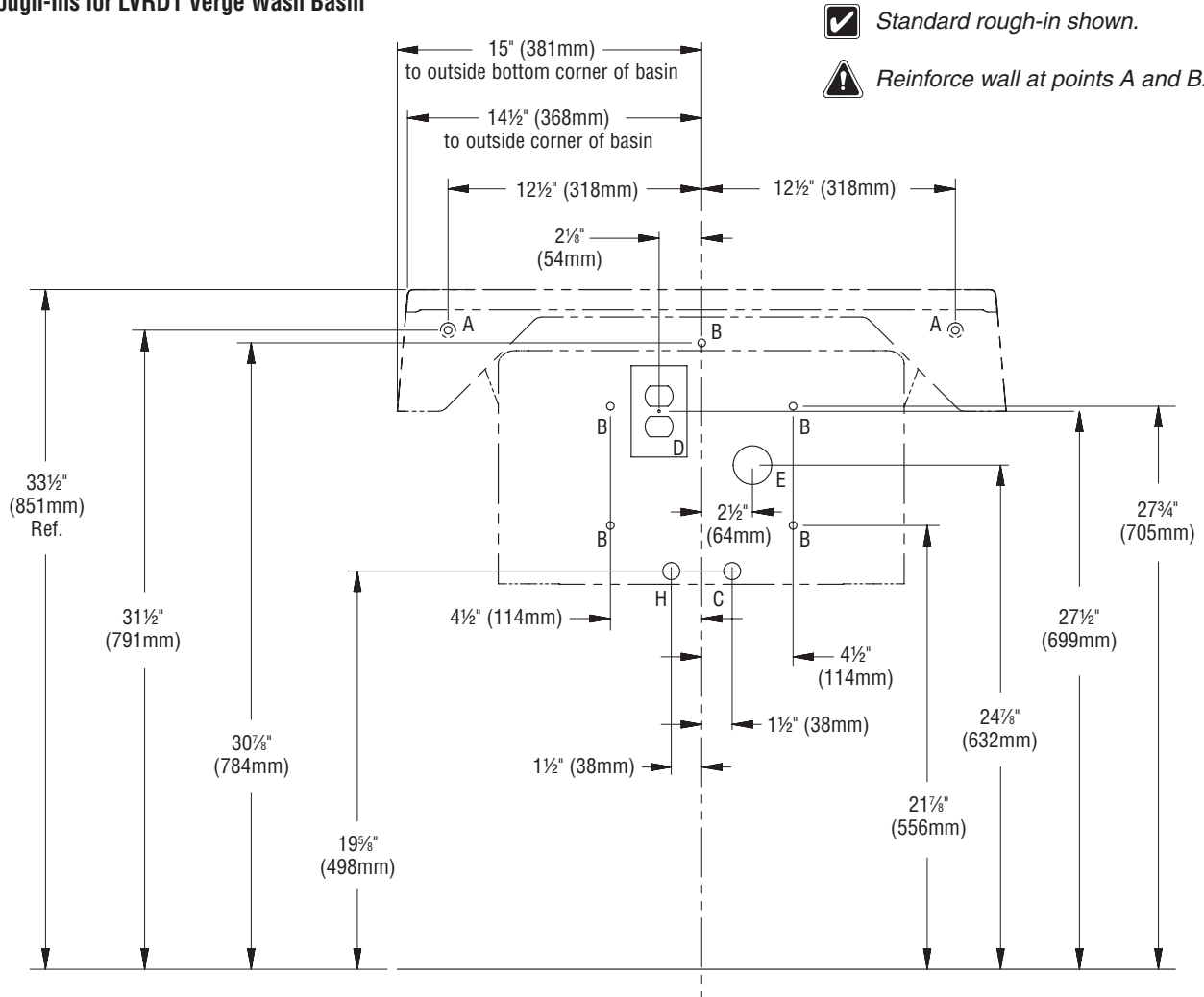
Model Number:

Qty:



LVRD1 Verge® Wash Basin – LVR-Series

Rough-Ins for LVRD1 Verge Wash Basin



Standard rough-in shown.

Reinforce wall at points A and B.

CODE	DESCRIPTION	QTY.
A	$\frac{3}{8}$ " Lav Deck Bowl Anchors with a Minimum Pull-Out Force of 1,000 lbs. (reinforce walls at anchor points)	2
B	$\frac{3}{8}$ " Lav Deck Frame Anchors with a Minimum Pull-Out Force of 1,000 lbs. (reinforce walls at anchor points)	5
H, C	$\frac{1}{2}$ " Hot/Cold Supplies, Stub-Out 2" From Wall	1
D	110v GFI Protected Electrical Outlet (AC faucet and soap only)	1
E	1 $\frac{1}{2}$ " NPT Drain, Stub-Out 2" from Wall	1
RIM HEIGHT	VERTICAL HEIGHT ADJUSTMENTS FOR CODES A-E and H	FIXTURE STYLE
33 $\frac{1}{2}$ "	None	Standard Height
31 $\frac{1}{2}$ "	Subtract 2"	TAS, Grades 6 through 8 or 9
29 $\frac{1}{2}$ "	Subtract 4"	TAS, Pre-K through Grades 5 or 6
30 $\frac{1}{2}$ "	Subtract 3"	Juvenile Height

Distributor/Wholesaler:	Date: 2/19/21
Project & Location:	
Model Number:	Qty:



LVSD1 Verge® Wash Basin – LVS-Series

- Sophisticated design integrates a linear open concept with personal space
- Single piece molded design eliminates caulk lines and seams
- Standard system comes complete with mounting, access panel, drain assembly and plumbing connections

Specifications

Accommodates one user at a time. The unit handles washroom traffic quickly and economically, while providing each user with personal space. The Verge® Wash Basin is designed with standard lavatory spacing positioned on 30" centers.

Construction

Basin

Evero® Geo Series is a natural quartz surface made from a blend of bio-based resin, natural quartz, granite and other exotic minerals. It is made of 25% recycled content.

Evero Pearl Series is a natural quartz surface made with bio-based resin, sea shells, recycled glass and natural quartz. It is made of 70% recycled content.



Variations in the natural stone color, pattern, size, shape and shade are inherent. Due to these unique characteristics, please expect subtle shade variations when units are installed adjacent to each other.

Access Panel

Minimalistic panel is composed of decorative 300 series stainless steel. Water supplies, valves, waste assembly and other optional items are concealed within the panel. The panel requires only one person for installation and removal.

Support Bracket

Bracket design allows for flexible stud or wall blocking anchor locations. Eliminates the need for in-wall carriers. IAPMO certified to meet or exceed ANSI load requirements.

Faucet Options

Choose from 0.5 GPM CAP-DCA, IR-DCD or IR-DCG which have been tested for fit and performance. Other compatible faucets include the Aerada 900 series Futura faucet, Aerada 1100 series High Arc faucets and the Aerada 1200 series CS faucet. For more information on these standard faucet options, please enter the model number in the search box at bradleycorp.com. 4" centerset and centershank faucet drillings are available for faucets by others. To maximize handwashing space and minimize splashing, Bradley recommends a faucet reach between 4" and 6". Dimension is measured from shank centerline to aerator centerline.



Soap Dispensers

Choose from our 6334, 6324-68 or 6315 soap dispensers, which have been tested for fit and performance. For more information on these soap dispenser options, please enter the model number in the search box at bradleycorp.com. Dispensers can be arranged as personal soap (dispensers next to each faucet) or shared soap (dispensers in between faucets). See page 3 for drilling locations. Soap drillings available for soap by others.

Strainer and Drain Assembly System

Strainer and drain assembly system comes complete with plungable 300 series stainless steel strainers, tailpiece and polypropylene p-trap. Optional chrome plated p-trap available.

Mounting Heights

Standard Height Mounting

The standard height hand washing stations are to be mounted with a 33-1/2" rim height to comply with ADA/TAS reaches and clearances.

Juvenile Height Mounting

The juvenile height hand washing stations are designed to be mounted at 30-1/2" rim height to comply with ADA/TAS reaches and clearances.

OBC Height Mounting

The Ontario Building Code hand washing stations are designed to be mounted at a 33" maximum rim height to comply with OBC reaches and clearances.



This plumbing fixture is designed for hand washing only. It is not Intended to dispense water for human consumption through drinking or for preparation of food or beverages.

Distributor/Wholesaler:	Date: 2/19/21
Project & Location:	
Model Number:	Qty:



LVSD1

Verge® Wash Basin – LVS-Series

Models (Must select one)		
Model	Description	
<input type="checkbox"/> LVSD1	Verge Wash Basin – LVS-Series, One-Station	
Standard Selections (Must select one from each category)		
Faucet Type (select one)		
<input type="checkbox"/> IR-DCG	Infrared Faucet Battery	
<input type="checkbox"/> IR-DCD	Infrared Faucet Battery	
<input type="checkbox"/> CAP-DCA	Capacitive Faucet Battery	
<input type="checkbox"/> SHANK	Centershank Drilling (1-1/4" Drilling Only)	
<input type="checkbox"/> 4" SET	4" Centerset Drilling (1-1/4" Drillings Only)	
Soap Dispenser Type (select one)		
<input type="checkbox"/> 6324-68	32 oz. Plastic Globe, 4" Spout	
<input type="checkbox"/> 6315-KT0000	Battery IR Metering Soap Dispenser Kit (with batteries and 1,000-shot soap)	
<input type="checkbox"/> 6334	16 oz. Plastic Globe, 3-1/2" Spout	
<input type="checkbox"/> SDO	1-1/4" Soap Drilling Only	
<input type="checkbox"/> NSD	No Soap Dispenser/No Drilling	
Water Supply Type (select one)		
<input type="checkbox"/> TMA	Navigator® Thermostatic Mixing Assembly w/Stops and Hot and Cold Supply Hoses	
<input type="checkbox"/> NONE	Single Tempered Line Assembly (Supply Hoses and Shut-Off Included)	
Color of Evero® Basin (select one)		
<i>Geo Series</i>		
<input type="checkbox"/> ANDORRA Andorra	<input type="checkbox"/> EVEREST Everest	<input type="checkbox"/> MYKONOS Mykonos
<input type="checkbox"/> ANTARCTICA Antarctica	<input type="checkbox"/> GLACIER Glacier Bay	<input type="checkbox"/> PATAGONIA Patagonia
<input type="checkbox"/> BLACK-SEA Black Sea	<input type="checkbox"/> KALAHARI Kalahari	<input type="checkbox"/> SIERRA Sierra Madre
<input type="checkbox"/> DENALI Denali	<input type="checkbox"/> MOJAVE Mojave	<input type="checkbox"/> YUKON Yukon
<i>Pearl Series (available at an additional charge) (Non-cancelable, non-returnable)</i>		
<input type="checkbox"/> AKOYA Akoya	<input type="checkbox"/> BLACK-MOON Black Moon	
Access Panel Type (select one)		
<input type="checkbox"/> STAIN	Stainless Steel	
Waste Assembly Type (select one)		
<input type="checkbox"/> IW-POLY	Polypropylene (1 p-trap per station)	
<input type="checkbox"/> IW-CHROME	Chrome-Plated (1 p-trap per station)	
Optional Selections		
Faucet Adapter Type:		
<input type="checkbox"/> PT	Plug-in adapter to convert battery operated CAP-DCA, IR-DCD or IR-DCG	
Soap Adapter Type:		
<input type="checkbox"/> P19-231F	Plug-in adapter - 6315 soap dispenser (must order as a separate line item)	

Code Compliance and Certifications

ANSI Standards

Evero Natural Quartz Surface meets the requirements of CSA B45.5/IAPMO Z124.

cUPC Approval

Verge Wash Basin is Uniform Plumbing Code (UPC), International Plumbing Code (IPC) and National Plumbing Code of Canada (NPC) approved through the International Association of Plumbing and Mechanical Officials (IAPMO). Manufactured in compliance with IGC 156, CSA B45 Series (R08) & ASME A112.18.1/CSA B125.1.



Standard product selections contained within this document are third party **CERTIFIED** to NSF/ANSI 372 meeting the Lead-Free content requirement. Any product configured with custom options will be **COMPLIANT** with NSF/ANSI 372 meeting the Lead-Free content requirement.



Distributor/Wholesaler:

Date: 2/19/21

Project & Location:

Model Number:

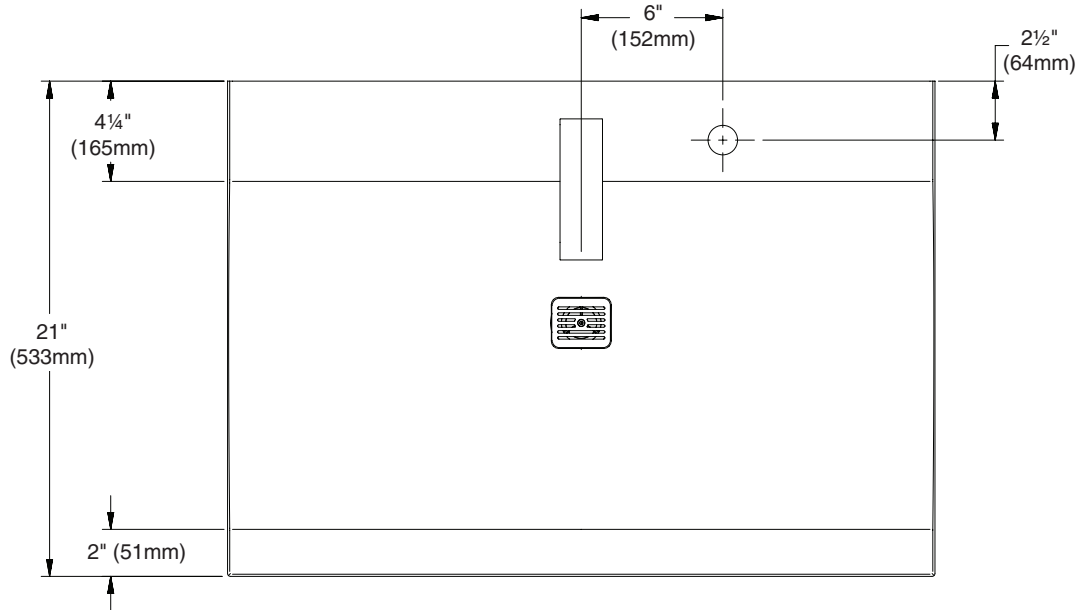
Qty:



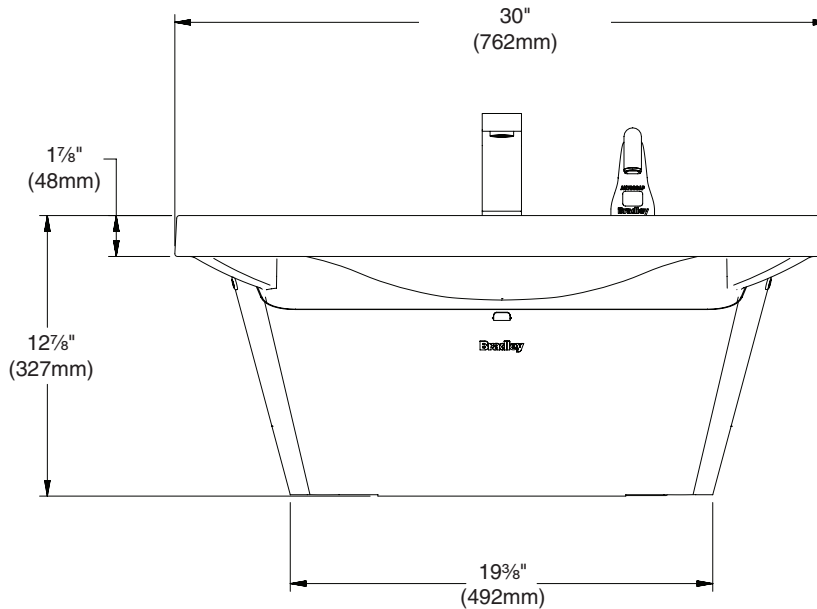
LVSD1 Verge® Wash Basin – LVS-Series

Dimensions for LVSD1 Verge Wash Basin (Shown with CAP-DCA Faucet and 6315 Soap as shared soap)

Top View



Front View



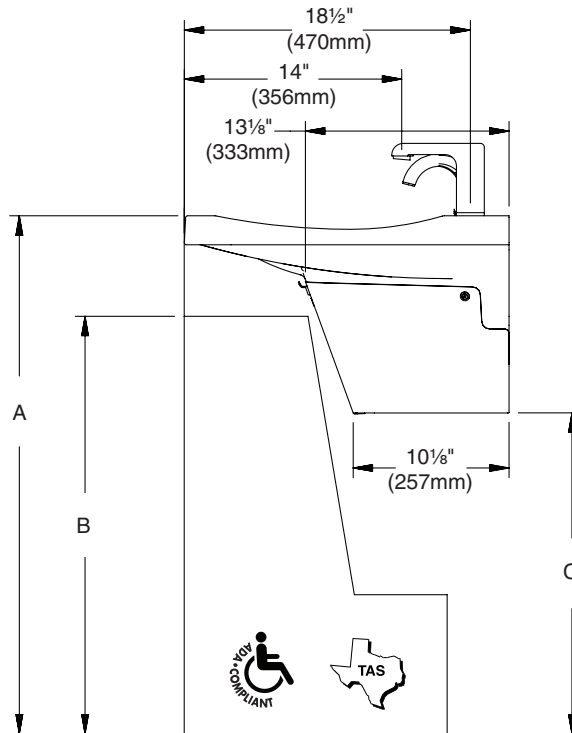
Distributor/Wholesaler:	Date: 2/19/21
Project & Location:	
Model Number:	Qty:



LVSD1 Verge® Wash Basin – LVS-Series

Dimensions for LVSD1 Verge Wash Basin

Side View



	ADA/TAS Standard Height	ADA/TAS Juvenile Height (Children 6-12 years)	CSA Standard Height	OBC Standard Height
Dim A	33½" (851mm)	30½" (787mm)	33½" (851mm)	33" (838mm)
Dim B	27" (686mm)	24" (610mm)	29⅝" (752mm)	28⅞" (735mm)
Dim C	20¾" (527mm)	18¼" (464mm)	21⅞" (536mm)	20¼" (514mm)

Distributor/Wholesaler:	Date: 2/19/21
Project & Location:	
Model Number:	Qty:



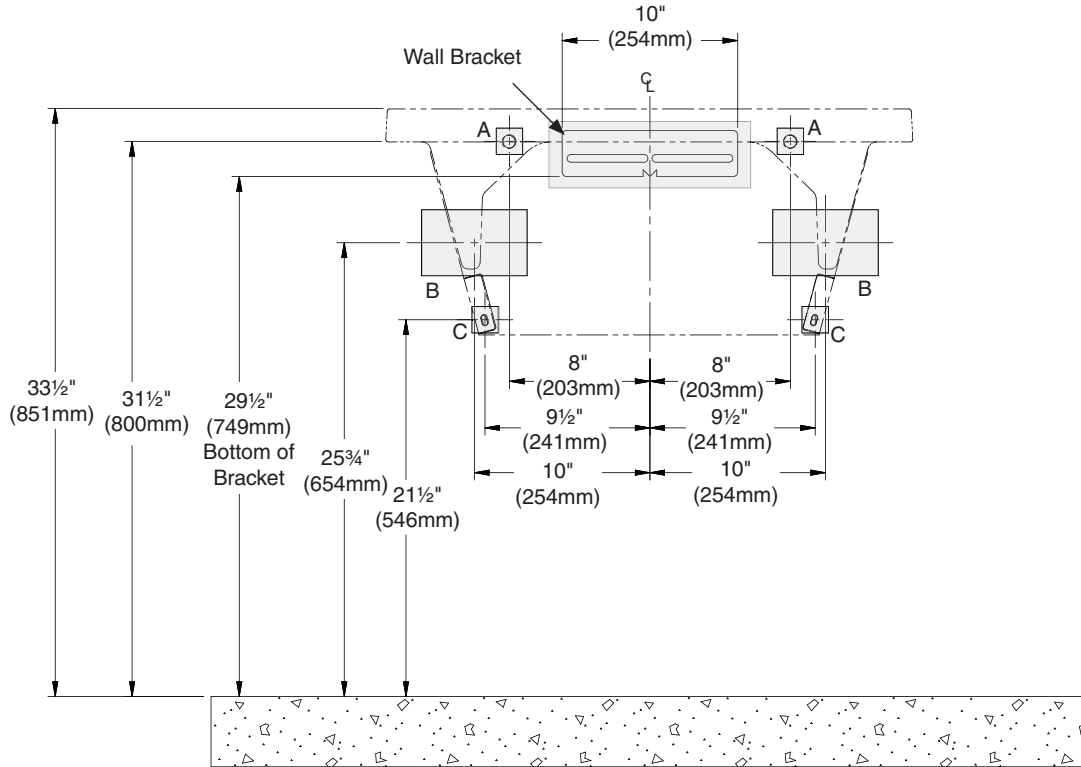
LVSD1 Verge® Wash Basin – LVS-Series

Structural Rough-Ins for LVSD1 Verge Wash Basin

⚠ WARNING Ensure bowl is completely seated in the wall bracket and securely fastened to the wall at point A.

Mounting for Standard, ADA and TAS height shown.

Points A, B and C require sufficient backing compliant with local building codes.



CODE	DESCRIPTION	QTY.
A	Install (1) 3/8" wall anchor with a minimum pull-out force of 1,000 lbs. per local codes at locations shown	2
B	Provide structural backing compliant with local building codes.	2
C	Install wall anchor with a minimum pull-out force of 100 lbs. per local codes at locations shown	2

RIM HEIGHT	VERTICAL HEIGHT ADJUSTMENTS	FIXTURE STYLE
33 1/2"	No Adjustment	Standard Height, ADA, TAS and CSA
30 1/2"	Subtract 3"	Juvenile, ADA and TAS
33"	Subtract 1/2"	OBC

Distributor/Wholesaler:	Date: 2/19/21
Project & Location:	
Model Number:	Qty:



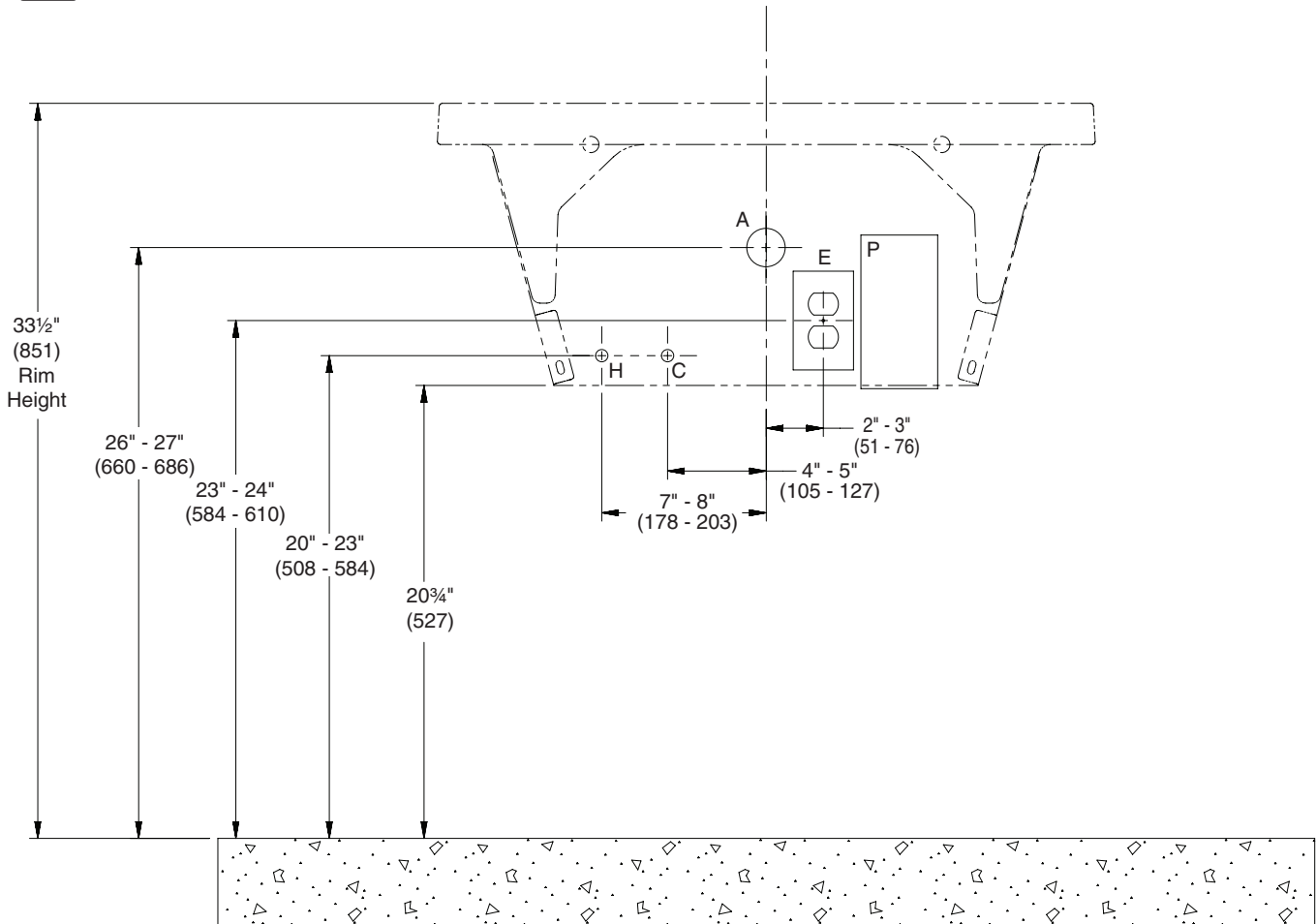
LVSD1 Verge® Wash Basin – LVS-Series

Plumbing and Electrical Rough-Ins for LVSD1 Wash Basin

(mm)



Mounting for Standard, ADA and TAS height shown.



CODE	DESCRIPTION	QTY.
A	1 1/2" NPT Drain, Stub-out 2" from wall, individual waste option	1
H,C	1/2" Nominal (5/8" O.D. Comp.) Hot/Cold supplies, Stub-out 2" from wall	1
E	110V GFI protected electrical outlet (AC faucet and soap only)	1
P	Outline of soap container (if selected)	1

Distributor/Wholesaler:	Date: 2/19/21
Project & Location:	
Model Number:	Qty:



LVSD2

Verge® Wash Basin – LVS-Series

- Sophisticated design integrates a linear open concept with personal space
- Single piece molded design eliminates caulk lines and seams
- Standard system comes complete with mounting, access panel, drain assembly and plumbing connections

Specifications

Accommodates one to two users. The units handle washroom traffic quickly and economically, while providing each user with personal space. The Verge® Wash Basin is designed with standard lavatory spacing positioned on 30" centers.

Construction

Basin

Evero® Geo Series is a natural quartz surface made from a blend of bio-based resin, natural quartz, granite and other exotic minerals. It is made of 25% recycled content.

Evero Pearl Series is a natural quartz surface made with bio-based resin, sea shells, recycled glass and natural quartz. It is made of 70% recycled content.

Variations in the natural stone color, pattern, size, shape and shade are inherent. Due to these unique characteristics, please expect subtle shade variations when units are installed adjacent to each other.

Access Panel

Minimalistic panel is composed of decorative 300 series stainless steel. Water supplies, valves, waste assembly and other optional items are concealed within the panel. The panel requires only one person for installation and removal.

Support Bracket

Bracket design allows for flexible stud or wall blocking anchor locations. Eliminates the need for in-wall carriers. IAPMO certified to meet or exceed ANSI load requirements.

Faucet Options

Choose from 0.5 GPM CAP-DCA, IR-DCD or IR-DCG which have been tested for fit and performance. Other compatible faucets include the Aerada 900 series Futura faucet, Aerada 1100 series High Arc faucets and the Aerada 1200 series CS faucet. For more information on these standard faucet options, please enter the model number in the search box at bradleycorp.com. 4" centerset and centershank faucet drillings are available for faucets by others. To maximize handwashing space and minimize splashing, Bradley recommends a faucet reach between 4" and 6". Dimension is measured from shank centerline to aerator centerline.



Soap Dispensers

Choose from our 6334, 6324-68 or 6315 soap dispensers, which have been tested for fit and performance. For more information on these soap dispenser options, please enter the model number in the search box at bradleycorp.com. Dispensers can be arranged as personal soap (dispensers next to each faucet) or shared soap (dispensers in between faucets). See page 3 for drilling locations. Soap drillings available for soap by others.

Strainer and Drain Assembly System

Strainer and drain assembly system comes complete with plungable 300 series stainless steel strainers, tailpiece and polypropylene p-trap. Optional chrome plated p-trap available.

Mounting Heights

Standard Height Mounting

The standard height hand washing stations are to be mounted with a 33-1/2" rim height to comply with ADA/TAS reaches and clearances.

Juvenile Height Mounting

The juvenile height hand washing stations are designed to be mounted at 30-1/2" rim height to comply with ADA/TAS reaches and clearances.

OBC Height Mounting

The Ontario Building Code hand washing stations are designed to be mounted at a 33" maximum rim height to comply with OBC reaches and clearances.

This plumbing fixture is designed for hand washing only. It is not Intended to dispense water for human consumption through drinking or for preparation of food or beverages.

Distributor/Wholesaler:	Date: 2/19/21
Project & Location:	
Model Number:	Qty:



Models (Must select one)
Model **Description**
 LVSD2 Verge Wash Basin – LVS-Series, Two-Station

Standard Selections (Must select one from each category)
Faucet Type (select one)
 IR-DCG Infrared Faucet Battery
 IR-DCD Infrared Faucet Battery
 CAP-DCA Capacitive Faucet Battery
 SHANK Centershank Drilling (1-1/4" Drilling Only)
 4" SET 4" Centerset Drilling (1-1/4" Drillings Only)

Soap Location Type (select one)
 SSD Shared Soap Drilling (located in between faucets) (1 drilling)
 PSD Personal Soap Drilling (next to each faucet) (2 drillings)
 NSD No Soap Dispenser/No Drilling

NOTE: When selecting PSD, the right station soap dispenser will be located to the left of the faucet.
When selecting SSD, the soap dispenser is located above the elevated section of the basin.
Please reference page 3 for soap drilling locations.

Soap Dispenser Type (select one)
 6324-68 32 oz. Plastic Globe, 4" Spout
 6315-KT0000 Battery IR Metering Soap Dispenser Kit (with batteries and 1,000-shot soap)
 6334 16 oz. Plastic Globe, 3-1/2" Spout
 SDO 1-1/4" Soap Drilling Only

Water Supply Type (select one)
 TMA Navigator® Thermostatic Mixing Assembly w/Stops and Hot and Cold Supply Hoses
 NONE Single Tempered Line Assembly (Supply Hoses and Shut-Off Included)

Color of Evero® Basin (select one)
Geo Series
 ANDORRA Andorra **EVEREST** Everest **MYKONOS** Mykonos
 ANTARCTICA Antarctica **GLACIER** Glacier Bay **PATAGONIA** Patagonia
 BLACK-SEA Black Sea **KALAHARI** Kalahari **SIERRA** Sierra Madre
 DENALI Denali **MOJAVE** Mojave **YUKON** Yukon

Pearl Series (available at an additional charge) (Non-cancelable, non-returnable)
 AKOYA Akoya **BLACK-MOON** Black Moon

Access Panel Type (select one)
 STAIN Stainless Steel

Waste Assembly Type (select one)
 IW-POLY Polypropylene (1 p-trap per station)
 IW-CHROME Chrome-Plated (1 p-trap per station)

Optional Selections
Faucet Adapter Type:
 PT Plug-in adapter to convert battery operated CAP-DCA, IR-DCD or IR-DCG

Soap Adapter Type:
 P19-231F Plug-in adapter - 6315 soap dispenser (must order as a separate line item)

Code Compliance and Certifications

ANSI Standards

Evero Natural Quartz Surface meets the requirements of CSA B45.5/IAPMO Z124.

cUPC Approval

Verge Wash Basin is Uniform Plumbing Code (UPC), International Plumbing Code (IPC) and National Plumbing Code of Canada (NPC) approved through the International Association of Plumbing and Mechanical Officials (IAPMO). Manufactured in compliance with IGC 156, CSA B45 Series (R08) & ASME A112.18.1/CSA B125.1.

Standard product selections contained within this document are third party **CERTIFIED** to NSF/ANSI 372 meeting the Lead-Free content requirement. Any product configured with custom options will be **COMPLIANT** with NSF/ANSI 372 meeting the Lead-Free content requirement.



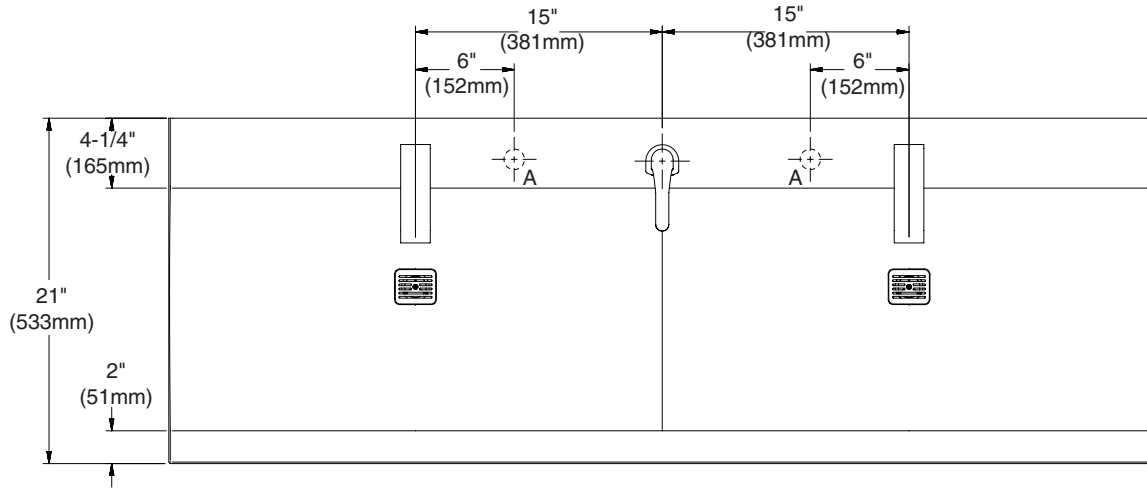
Distributor/Wholesaler:	Date: 2/19/21
Project & Location:	
Model Number:	Qty:



LVSD2 Verge® Wash Basin – LVS-Series

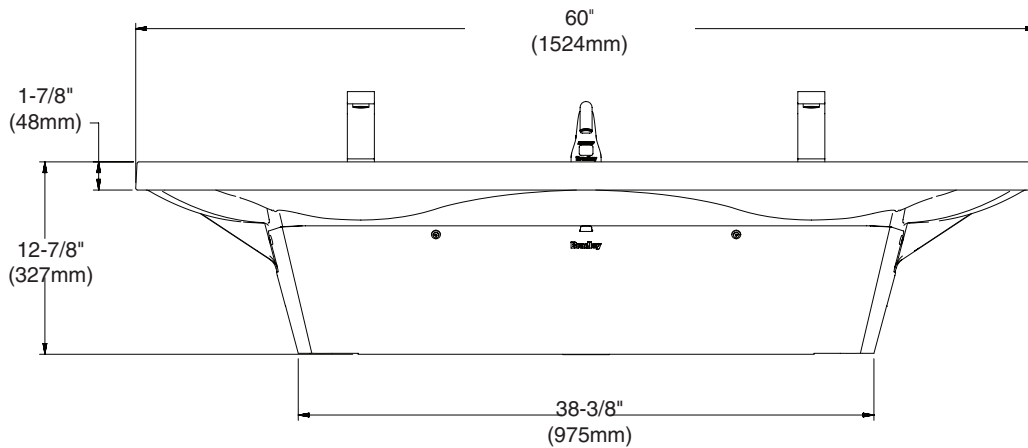
Dimensions for LVSD2 Verge Wash Basin (Shown with CAP-DCA Faucet and 6315 Soap as shared soap)

Top View



A = Personal soap locations

Front View



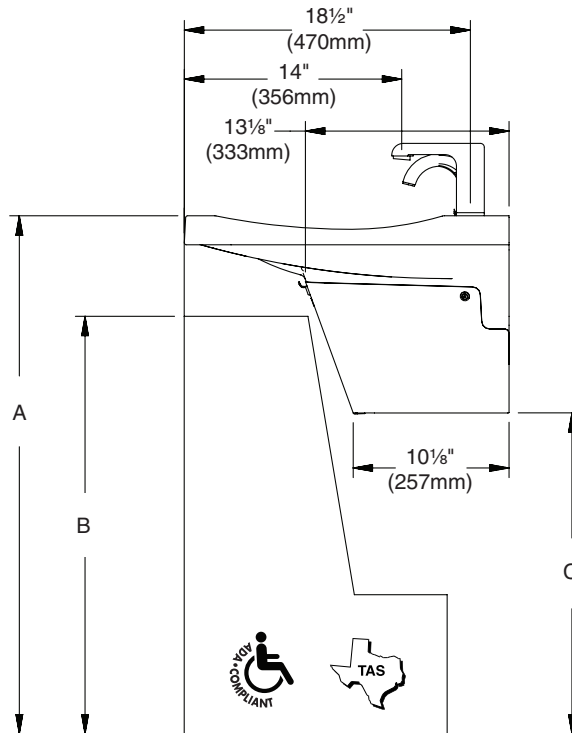
Distributor/Wholesaler:	Date: 2/19/21
Project & Location:	
Model Number:	Qty:



LVSD2 Verge® Wash Basin – LVS-Series

Dimensions for LVSD2 Verge Wash Basin

Side View



	ADA/TAS Standard Height	ADA/TAS Juvenile Height (Children 6-12 years)	CSA Standard Height	OBC Standard Height
Dim A	33½" (851mm)	30½" (787mm)	33½" (851mm)	33" (838mm)
Dim B	27" (686mm)	24" (610mm)	29⅝" (752mm)	28⅞" (735mm)
Dim C	20¾" (527mm)	18¼" (464mm)	21⅛" (536mm)	20¼" (514mm)

Distributor/Wholesaler:	Date: 2/19/21
Project & Location:	
Model Number:	Qty:



LVSD2

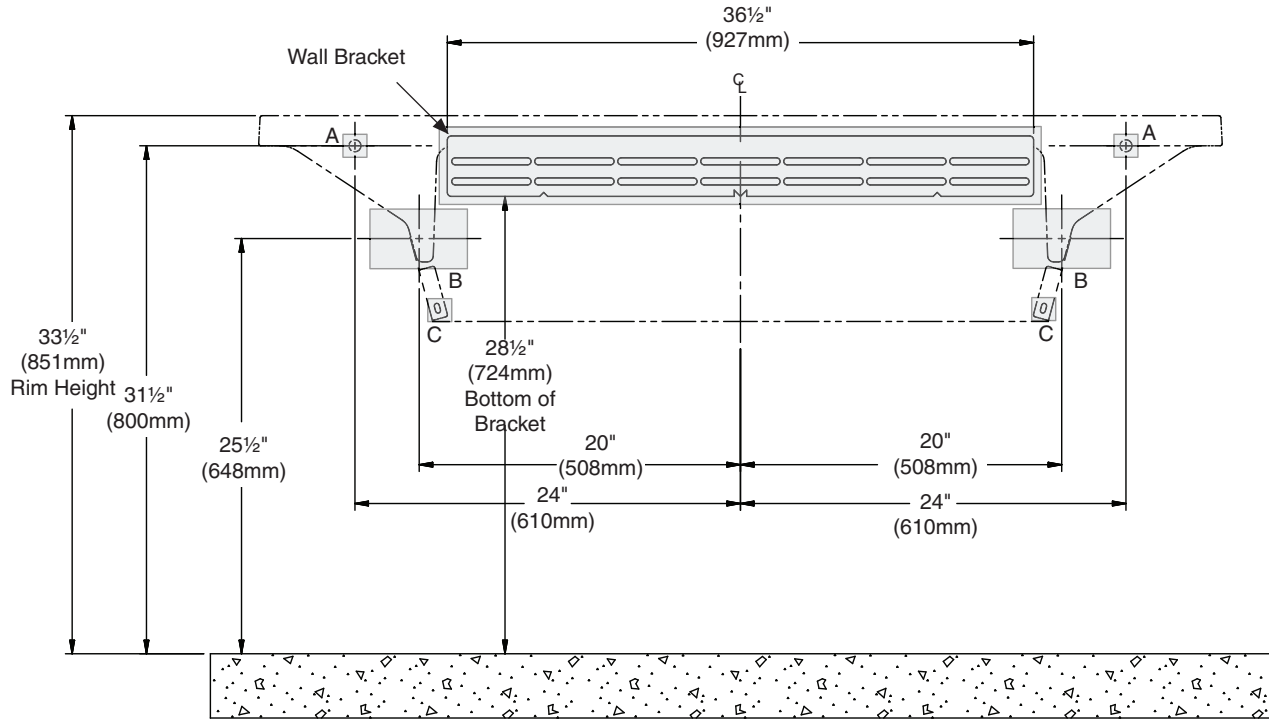
Verge® Wash Basin – LVS-Series

Structural Rough-Ins for LVSD2 Verge Wash Basin

⚠ WARNING Ensure bowl is completely seated in the wall bracket and securely fastened to the wall at point A.

Mounting for Standard, ADA and TAS height shown.

Points A, B and C require sufficient backing compliant with local building codes.



CODE	DESCRIPTION	QTY.
A	Install (1) 3/8" wall anchor with a minimum pull-out force of 1,000 lbs. per local codes at locations shown	2
B	Provide structural backing compliant with local building codes	2
C	Install wall anchor with a minimum pull-out force of 100 lbs. per local codes at locations shown	2

RIM HEIGHT	VERTICAL HEIGHT ADJUSTMENTS	FIXTURE STYLE
33 1/2"	No Adjustment	Standard Height, ADA, TAS and CSA
30 1/2"	Subtract 3"	Juvenile, ADA and TAS
33"	Subtract 1/2"	OBC

Distributor/Wholesaler:	Date: 2/19/21
Project & Location:	
Model Number:	Qty:



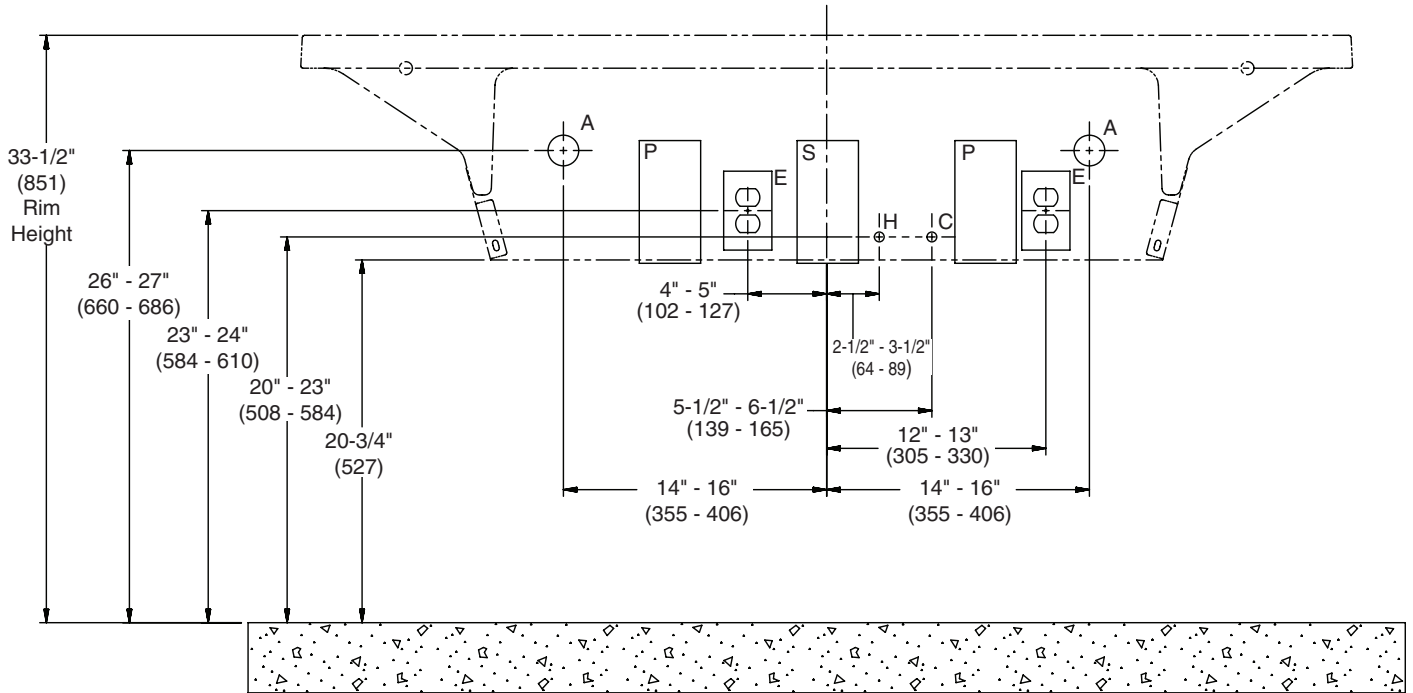
LVSD2 Verge® Wash Basin – LVS-Series

Plumbing and Electrical Rough-Ins for LVSD2 Wash Basin

(mm)



Mounting for Standard, ADA and TAS height shown.



CODE	DESCRIPTION	QTY.
A	1-1/2" NPT Drain, Stub-out 2" from wall, individual waste option	2
H,C	1/2" Nominal (5/8" O.D. Comp.) Hot/Cold supplies, Stub-out 2" from wall	1
E	110V GFI protected electrical outlet (AC faucet and soap only)	2
S	Outline of shared soap container (if selected)	1
P	Outline of personal soap container (if selected)	2

Distributor/Wholesaler:	Date: 2/19/21
Project & Location:	
Model Number:	Qty:



LVSD3

Verge® Wash Basin – LVS-Series

- Sophisticated design integrates a linear open concept with personal space
- Single piece molded design eliminates caulk lines and seams
- Standard system comes complete with mounting, access panel, drain assembly and plumbing connections

Specifications

Accommodates one to three users. The units handle washroom traffic quickly and economically, while providing each user with personal space. The Verge® Wash Basin is designed with standard lavatory spacing positioned on 30" centers.

Construction

Basin

Evero® Geo Series is a natural quartz surface made from a blend of bio-based resin, natural quartz, granite and other exotic minerals. It is made of 25% recycled content.

Evero Pearl Series is a natural quartz surface made with bio-based resin, sea shells, recycled glass and natural quartz. It is made of 70% recycled content.

Variations in the natural stone color, pattern, size, shape and shade are inherent. Due to these unique characteristics, please expect subtle shade variations when units are installed adjacent to each other.

Access Panel

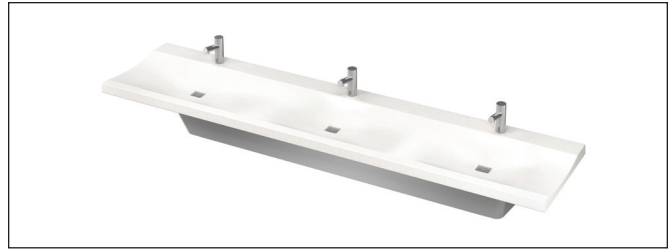
Minimalistic panel is composed of decorative 300 series stainless steel. Water supplies, valves, waste assembly and other optional items are concealed within the panel. The panel requires only one person for installation and removal.

Support Bracket

Bracket design allows for flexible stud or wall blocking anchor locations. Eliminates the need for in-wall carriers. IAPMO certified to meet or exceed ANSI load requirements.

Faucet Options

Choose from 0.5 GPM CAP-DCA, IR-DCD or IR-DCG which have been tested for fit and performance. Other compatible faucets include the Aerada 900 series Futura faucet, Aerada 1100 series High Arc faucets and the Aerada 1200 series CS faucet. For more information on these standard faucet options, please enter the model number in the search box at bradleycorp.com. 4" centerset and centershank faucet drillings are available for faucets by others. To maximize handwashing space and minimize splashing, Bradley recommends a faucet reach between 4" and 6". Dimension is measured from shank centerline to aerator centerline.



Soap Dispensers

Choose from our 6334, 6324-68 or 6315 soap dispensers, which have been tested for fit and performance. For more information on these soap dispenser options, please enter the model number in the search box at bradleycorp.com. Dispensers can be arranged as personal soap (dispensers next to each faucet) or shared soap (dispensers in between faucets). See page 3 for drilling locations. Soap drillings available for soap by others.

Strainer and Drain Assembly System

Strainer and drain assembly system comes complete with plungable 300 series stainless steel strainers, tailpiece and polypropylene p-trap. Optional chrome plated p-trap available.

Mounting Heights

Standard Height Mounting

The standard height hand washing stations are to be mounted with a 33-1/2" rim height to comply with ADA/TAS reaches and clearances.

Juvenile Height Mounting

The juvenile height hand washing stations are designed to be mounted at 30-1/2" rim height to comply with ADA/TAS reaches and clearances.

OBC Height Mounting

The Ontario Building Code hand washing stations are designed to be mounted at a 33" maximum rim height to comply with OBC reaches and clearances.

This plumbing fixture is designed for hand washing only. It is not Intended to dispense water for human consumption through drinking or for preparation of food or beverages.

Distributor/Wholesaler:	Date: 2/19/21
Project & Location:	
Model Number:	Qty:



LVSD3

Verge® Wash Basin – LVS-Series

Models (Must select one)		
Model	Description	
<input type="checkbox"/> LVSD3	Verge Wash Basin – LVS-Series, Three-Station	
Standard Selections (Must select one from each category)		
Faucet Type (select one)		
<input type="checkbox"/> IR-DCG	Infrared Faucet Battery	
<input type="checkbox"/> IR-DCD	Infrared Faucet Battery	
<input type="checkbox"/> CAP-DCA	Capacitive Faucet Battery	
<input type="checkbox"/> SHANK	Centershank Drilling (1-1/4" Drilling Only)	
<input type="checkbox"/> 4" SET	4" Centerset Drilling (1-1/4" Drillings Only)	
Soap Location Type (select one)		
<input type="checkbox"/> SSD	Shared Soap Drilling (located in between faucets) (2 drillings)	
<input type="checkbox"/> PSD	Personal Soap Drilling (next to each faucet) (3 drillings)	
<input type="checkbox"/> NSD	No Soap Dispenser/No Drilling	
NOTE: When selecting PSD, the right station soap dispenser will be located to the left of the faucet. When selecting SSD, the soap dispenser is located above the elevated section of the basin.		
Please reference page 3 for soap drilling locations.		
Soap Dispenser Type (select one)		
<input type="checkbox"/> 6324-68	32 oz. Plastic Globe, 4" Spout	
<input type="checkbox"/> 6315-KT0000	Battery IR Metering Soap Dispenser Kit (with batteries and 1,000-shot soap)	
<input type="checkbox"/> 6334	16 oz. Plastic Globe, 3-1/2" Spout	
<input type="checkbox"/> SDO	1-1/4" Soap Drilling Only	
Water Supply Type (select one)		
<input type="checkbox"/> TMA	Navigator® Thermostatic Mixing Assembly w/Stops and Hot and Cold Supply Hoses	
<input type="checkbox"/> NONE	Single Tempered Line Assembly (Supply Hoses and Shut-Offs Included)	
Color of Evero® Basin (select one)		
<i>Geo Series</i>		
<input type="checkbox"/> ANDORRA Andorra	<input type="checkbox"/> EVEREST Everest	<input type="checkbox"/> MYKONOS Mykonos
<input type="checkbox"/> ANTARCTICA Antarctica	<input type="checkbox"/> GLACIER Glacier Bay	<input type="checkbox"/> PATAGONIA Patagonia
<input type="checkbox"/> BLACK-SEA Black Sea	<input type="checkbox"/> KALAHARI Kalahari	<input type="checkbox"/> SIERRA Sierra Madre
<input type="checkbox"/> DENALI Denali	<input type="checkbox"/> MOJAVE Mojave	<input type="checkbox"/> YUKON Yukon
<i>Pearl Series (available at an additional charge) (Non-cancelable, non-returnable)</i>		
<input type="checkbox"/> AKOYA Akoya	<input type="checkbox"/> BLACK-MOON Black Moon	
Access Panel Type (select one)		
<input type="checkbox"/> STAIN	Stainless Steel	
Waste Assembly Type (select one)		
<input type="checkbox"/> IW-POLY	Polypropylene (1 p-trap per station)	
<input type="checkbox"/> IW-CHROME	Chrome-Plated (1 p-trap per station)	
Optional Selections		
Faucet Adapter Type:		
<input type="checkbox"/> PT	Plug-in adapter to convert battery operated CAP-DCA, IR-DCD or IR-DCG	
Soap Adapter Type:		
<input type="checkbox"/> P19-231F	Plug-in adapter - 6315 soap dispenser (must order as a separate line item)	

Code Compliance and Certifications

ANSI Standards

Evero Natural Quartz Surface meets the requirements of CSA B45.5/IAPMO Z124.

cUPC Approval

Verge Wash Basin is Uniform Plumbing Code (UPC), International Plumbing Code (IPC) and National Plumbing Code of Canada (NPC) approved through the International Association of Plumbing and Mechanical Officials (IAPMO). Manufactured in compliance with IGC 156, CSA B45 Series (R08) & ASME A112.18.1/CSA B125.1.



Standard product selections contained within this document are third party **CERTIFIED** to NSF/ANSI 372 meeting the Lead-Free content requirement. Any product configured with custom options will be **COMPLIANT** with NSF/ANSI 372 meeting the Lead-Free content requirement.



Distributor/Wholesaler:

Date: 2/19/21

Project & Location:

Model Number:

Qty:

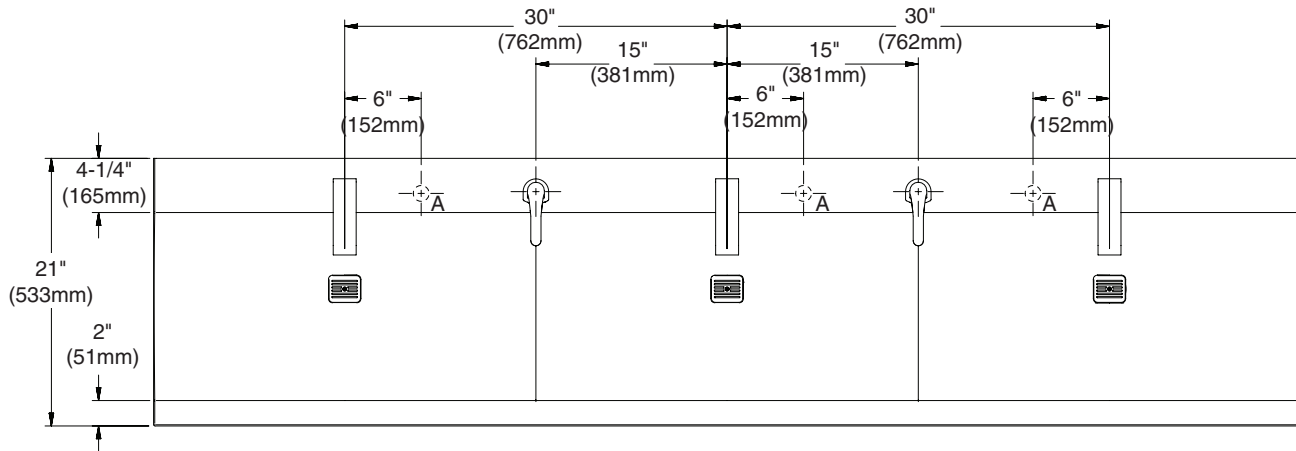


LVSD3

Verge® Wash Basin – LVS-Series

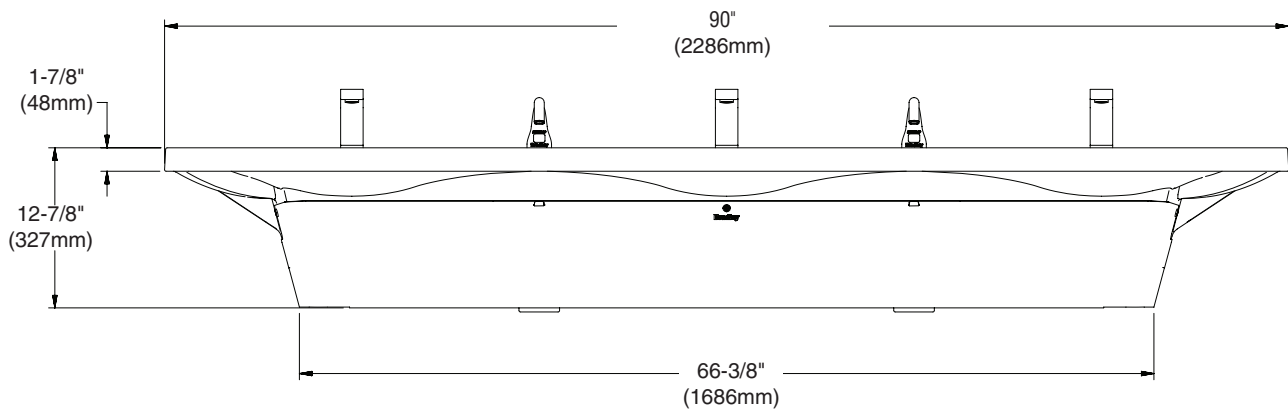
Dimensions for LVSD3 Verge Wash Basin (Shown with CAP-DCA Faucet and 6315 Soap as shared soap)

Top View



A = Personal soap locations

Front View



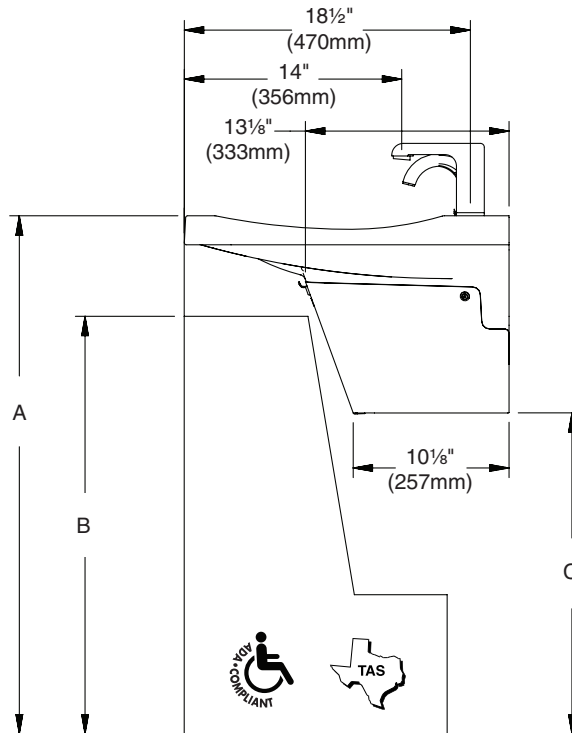
Distributor/Wholesaler:	Date: 2/19/21
Project & Location:	
Model Number:	Qty:



LVSD3 Verge® Wash Basin – LVS-Series

Dimensions for LVSD3 Verge Wash Basin

Side View



	ADA/TAS Standard Height	ADA/TAS Juvenile Height (Children 6-12 years)	CSA Standard Height	OBC Standard Height
Dim A	33½" (851mm)	30½" (787mm)	33½" (851mm)	33" (838mm)
Dim B	27" (686mm)	24" (610mm)	29⅝" (752mm)	28⅞" (735mm)
Dim C	20¾" (527mm)	18¼" (464mm)	21⅞" (536mm)	20¼" (514mm)

Distributor/Wholesaler:	Date: 2/19/21
Project & Location:	
Model Number:	Qty:



LVSD3

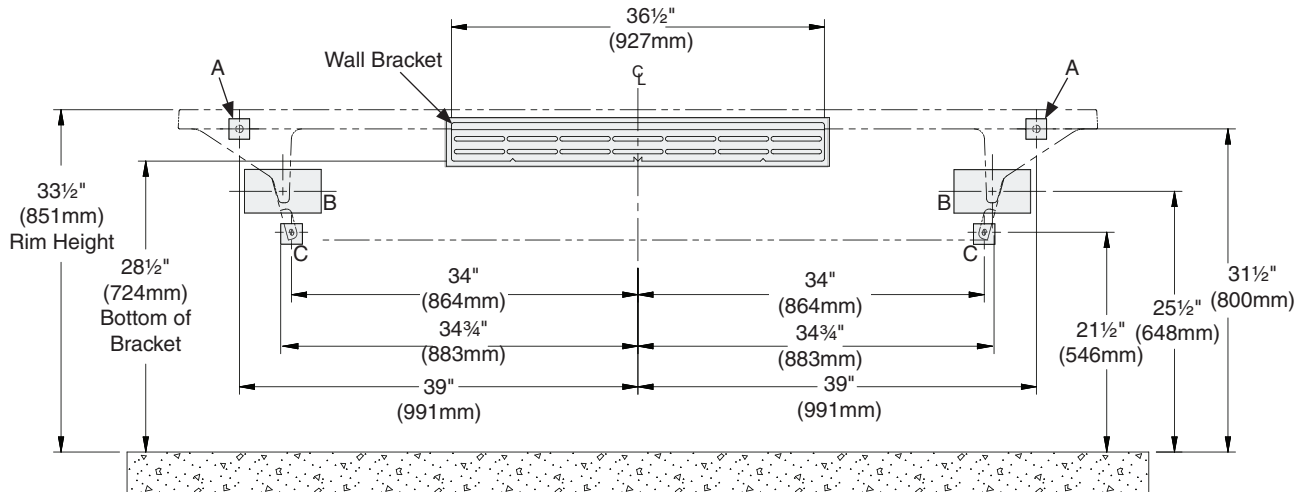
Verge® Wash Basin – LVS-Series

Structural Rough-Ins for LVSD3 Verge Wash Basin

⚠ WARNING Ensure bowl is completely seated in the wall bracket and securely fastened to the wall at point A.

Mounting for Standard, ADA and TAS height shown.

Points A and B require sufficient backing compliant with local building codes.



CODE	DESCRIPTION	QTY.
A	Install (1) 3/8" wall anchor with a minimum pull-out force of 1,000 lbs. per local codes at locations shown	2
B	Provide structural backing compliant with local building codes.	2
C	Install wall anchor with a minimum pull-out force of 100 lbs. per local codes at locations shown	2

RIM HEIGHT	VERTICAL HEIGHT ADJUSTMENTS	FIXTURE STYLE
33 1/2"	No Adjustment	Standard Height, ADA, TAS and CSA
30 1/2"	Subtract 3"	Juvenile, ADA and TAS
33"	Subtract 1/2"	OBC

Distributor/Wholesaler:	Date: 2/19/21
Project & Location:	
Model Number:	Qty:



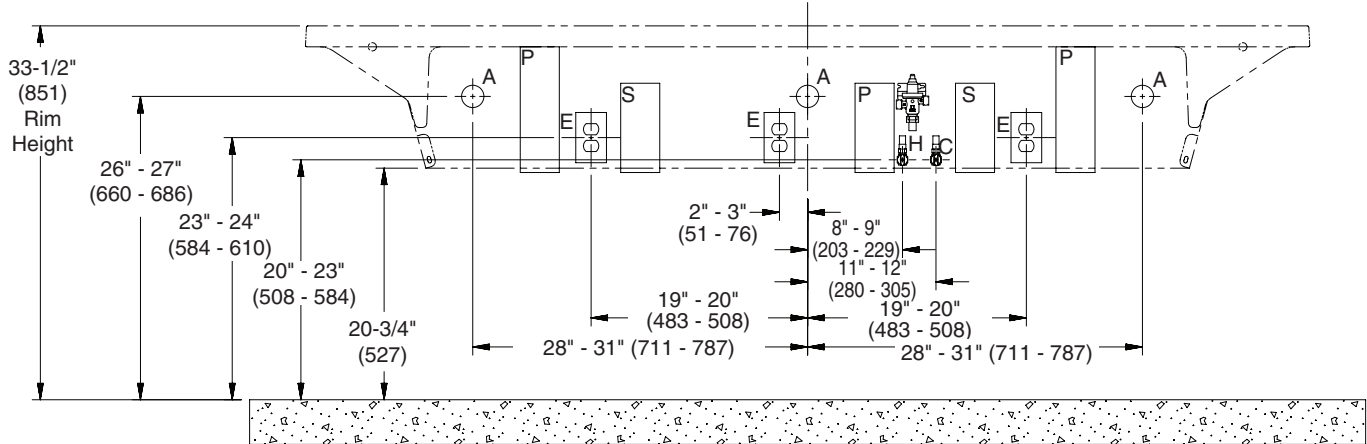
LVSD3 Verge® Wash Basin – LVS-Series

Plumbing and Electrical Rough-Ins for LVSD3 Wash Basin

(mm)



Mounting for Standard, ADA and TAS height shown.



CODE	DESCRIPTION	QTY.
A	1-1/2" NPT Drain, Stub-out 2" from wall, individual waste option	3
H,C	1/2" Nominal (5/8" O.D. Comp.) Hot/Cold supplies, Stub-out 2" from wall	1
E	110V GFI protected electrical outlet (AC faucet and soap only)	3
S	Outline of shared soap container (if selected)	2
P	Outline of personal soap container (if selected)	3

Distributor/Wholesaler:	Date: 2/19/21
Project & Location:	
Model Number:	Qty:



- One piece plated stainless steel WashBar™ includes touch-free soap, water and hand dryer
- WashBar technology intuitively guides user and eliminates simultaneous activations
- Basin and drain engineered to evacuate water and dissipate air flow
- Single piece molded basin eliminates caulk lines and seams
- WashBar and basin system comes complete with mounting, access panel, drain assembly and plumbing connections

Specifications

The Verge LVQD1 Wash Basin is 30" in length and is designed to accommodate one user at a time with standard lavatory spacing positioned on 30" centers. The single piece All in One WashBar allows users to access soap, water and a hand dryer without leaving the hand washing station. The unit handles washroom traffic quickly and economically, while providing each user with personal space.

Construction

Basin

The basin has been designed to direct water to a trench drain and features a 300 series stainless steel drain cap. The basin and drain cap work together to evacuate water and dissipate airflow to prevent splashing on the user or floor. The basin is constructed of Evero Geo Series, a natural quartz surface made from a blend of bio-based resin, natural quartz, granite and other exotic minerals. It is made of 25% recycled content. Evero Pearl Series is a natural quartz surface made with bio-based resin, sea shells, recycled glass and natural quartz. It is made of 70% recycled content. Basin is available in all Evero colors.

Variations in the natural stone color, pattern, size, shape and shade are inherent. Due to these unique characteristics, please expect subtle shade variations when units are installed adjacent to each other.

WashBar™

All in One chrome-plated stainless steel WashBar includes touch-free soap, water and hand dryer. Load tested to 500 pounds, the WashBar is secured to the basin with two anti-rotational shanks. Blue LED lights help guide the user to the WashBar, indicating the three functions. The LED light will change from blue to green to signify that the function is in use. Each function is easily identified by the corresponding icon on the WashBar's top surface.

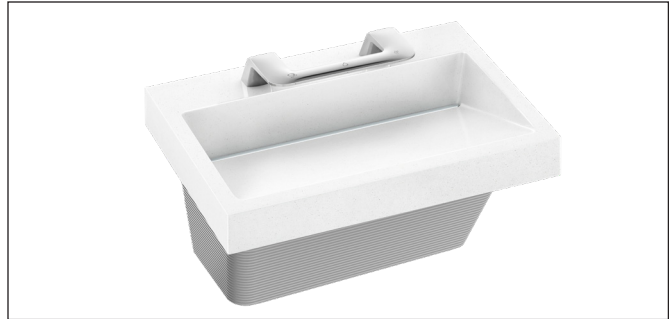
Sensors are programmed to eliminate simultaneous activations of nearby functions. Each sensor includes a turn-off delay of 1-2 seconds to aid in a smooth, controlled hand-washing and drying operation. WashBar sensors are not affected by varying skin tones or darkness. Smart technology allows the facilities manager or maintenance staff to clean and configure with ease.

Cleaning Mode

WashBar has an activation feature to put the unit into cleaning mode to allow for easy cleaning of the WashBar and basin without activating the functions.

Configuration Mode

The WashBar also has a configuration mode to identify how many cycles are on the soap, faucet and dryer. Mode also allows for dryer speed adjustment at low, medium and high levels.



Soap Dispenser

The soap dispenser is located on the left side of the WashBar. This eliminates any soap from dripping on counters or onto the floor, minimizing slip hazards and allows for easy cleaning. Choose between a foam or liquid soap dispenser, which are compatible with most bulk soaps. Soap system accommodates up to a 1 gallon container to reduce the number of soap replacements. When the LED light above the soap function turns to solid red, simply check the level and replace the soap container with a full container if necessary. The soap system includes an adapter to fit many 1 gallon soap containers available on the market.

Please visit <https://www.bradleycorp.com/maintenance/soap-dispensers> for soap recommendations.

Faucet

Faucet is located in the center of the WashBar and has a spray angle of approximately 17 degrees off the vertical. Choose either a 0.5 gpm or 0.35 gpm PCA silicone tip, non-aerated spray pattern. Maximum run time is 30 seconds. The 0.5 gpm aerator option is the equivalent to 0.25 gpc and the 0.35 gpm aerator option is the equivalent to 0.18 gpc. Automatic 5 second purge within 24 hours of the last use. Recommended operating range is 20-80 psi.

Dryer

The hand dryer is located on the right side of the WashBar, allowing users to dry their hands immediately after washing. This virtually eliminates excess water on the floor. The dryer motor provides heated air at three speeds, high-medium-low, which can be field adjusted by placing the WashBar in configuration mode. The single sided dryer will dry hands in approximately 15 seconds depending on user preference. The decibel range with hands in air stream is 76 dB (high speed) to 64 dB (low speed). The dryer motor, located behind the access panel, is cCSAus listed.

Electrical

Total rated power of each WashBar station is 1200W. Each WashBar is powered by one 12V DC adapter that plugs directly into its dryer or the electrical outlet. The WashBar and dryer motor require a properly grounded dedicated 20 amp circuit, 120V outlet. One duplex outlet is required per station to power the WashBar and dryer.

Access Panel

Minimalistic panel is composed of decorative 300 series stainless steel. Plumbing components, dryer motor, and soap tank are concealed within the panel. The new swing down access panel is designed to ease the maintenance process by eliminating tools and only requires one person for installation. Top edge of the access panel has been hemmed to reduce sharpness.

Support Bracket

Bracket design allows for flexible stud or wall blocking anchor locations. Eliminates the need for in-wall carriers and frame. System is IAPMO certified to meet or exceed ANSI load requirements.

This plumbing fixture is designed for hand washing only. It is not intended to dispense water for human consumption through drinking or for preparation of food or beverages.

© 2018 Bradley

P.O. Box 309, Menomonee Falls, WI 53052-0309
800 BRADLEY (800 272 3539) +1 262 251 6000
bradleycorp.com

Distributor/Wholesaler:	Date: 2/19/21
Project & Location:	
Model Number:	Qty:



LVQD1

Verge® with WashBar™ Technology – LVQ-Series

Models (Must select one)		
Model	Description	
<input type="checkbox"/> LVQD1	Verge with WashBar Technology – LVQ-Series, One-Station	
Standard Selections (Must select one from each category)		
WashBar Type (select one)		
<input type="checkbox"/> WB1	Chrome-Plated WashBar with Infrared Control	
Aerator Type (select one)		
<input type="checkbox"/> A35	0.35 gpm PCA Silicone Tip, Non-Aerated	
<input type="checkbox"/> A50	0.50 gpm PCA Silicone Tip, Non-Aerated	
Soap Type (select one)		
<input type="checkbox"/> FSD	Foam Soap Dispenser - 1 gallon soap container by others	
<input type="checkbox"/> LSD	Liquid Soap Dispenser - 1 gallon soap container by others	
Hand Dryer Type (select one)		
<input type="checkbox"/> HD1	DC Motor 120v/60hz, 20 Amp	
Trench Drain Cap Type (select one)		
<input type="checkbox"/> DR1	Stainless Steel Trench Drain Cap	
Water Supply Type (select one)		
<input type="checkbox"/> TMA	Navigator® Thermostatic Mixing Assembly w/Stops and Hot and Cold Supply Hoses	
<input type="checkbox"/> NONE	Single Tempered Line Assembly (Supply Hoses and Shut-Offs included)	
Color of Evero® Basin (select one)		
<i>Geo Series</i>		
<input type="checkbox"/> ANDORRA Andorra	<input type="checkbox"/> EVEREST Everest	<input type="checkbox"/> MYKONOS Mykonos
<input type="checkbox"/> ANTARCTICA Antarctica	<input type="checkbox"/> GLACIER Glacier Bay	<input type="checkbox"/> PATAGONIA Patagonia
<input type="checkbox"/> BLACK-SEA Black Sea	<input type="checkbox"/> KALAHARI Kalahari	<input type="checkbox"/> SIERRA Sierra Madre
<input type="checkbox"/> DENALI Denali	<input type="checkbox"/> MOJAVE Mojave	<input type="checkbox"/> YUKON Yukon
<i>Pearl Series (available at an additional charge) (Non-cancelable, non-returnable)</i>		
<input type="checkbox"/> AKOYA Akoya	<input type="checkbox"/> BLACK-MOON Black Moon	
Access Panel Type (select one)		
<input type="checkbox"/> STAIN	Swing Down Stainless Steel	
Access Panel Fastener Type (select one)		
<input type="checkbox"/> TS	Thumb Screw	
<input type="checkbox"/> VS	Vandal Resistant Screw	
<input type="checkbox"/> CL	Cam Lock	
Waste Assembly Type (select one)		
<input type="checkbox"/> S-POLY	Single Polypropylene P-Trap	
<input type="checkbox"/> S-CHROME	Single Chrome Plated P-Trap	

Strainer and Drain Assembly System

Strainer and drain assembly system comes complete with 300 series stainless steel trench drain cap, tailpiece and polypropylene p-trap. Optional chrome plated p-trap available. The multi-station system is configured with one drain and one set of supplies to reduce the cost associated with individual drains and supplies.

Mounting Heights

Standard Height Mounting

The standard height hand washing stations are to be mounted with a 33-1/2" rim height to comply with ADA/TAS reaches and clearances.

Juvenile Height Mounting

The juvenile height hand washing stations are designed to be mounted at 30-1/2" rim height to comply with ADA/TAS reaches and clearances.

Code Compliance and Certifications

ANSI Standards

Evero Natural Quartz Surface meets the requirements of CSA B45.5/IAPMO Z124.

cUPC Approval

Verge Lavatory is Uniform Plumbing Code (UPC), International Plumbing Code (IPC) and National Plumbing Code of Canada (NPC) approved through the International Association of Plumbing and Mechanical Officials (IAPMO). Manufactured in compliance with IGC 127-2014 Combined Hand Washing Systems, IGC 156, CSA B45 Series (R08) & ASME A112.18.1/CSA B125.1.



Standard product selections contained within this document are third party **CERTIFIED** to NSF/ANSI 372 meeting the Lead-Free content requirement. Any product configured with custom options will be **COMPLIANT** with NSF/ANSI 372 meeting the Lead-Free content requirement.



Distributor/Wholesaler:	Date: 2/19/21
Project & Location:	
Model Number:	Qty:

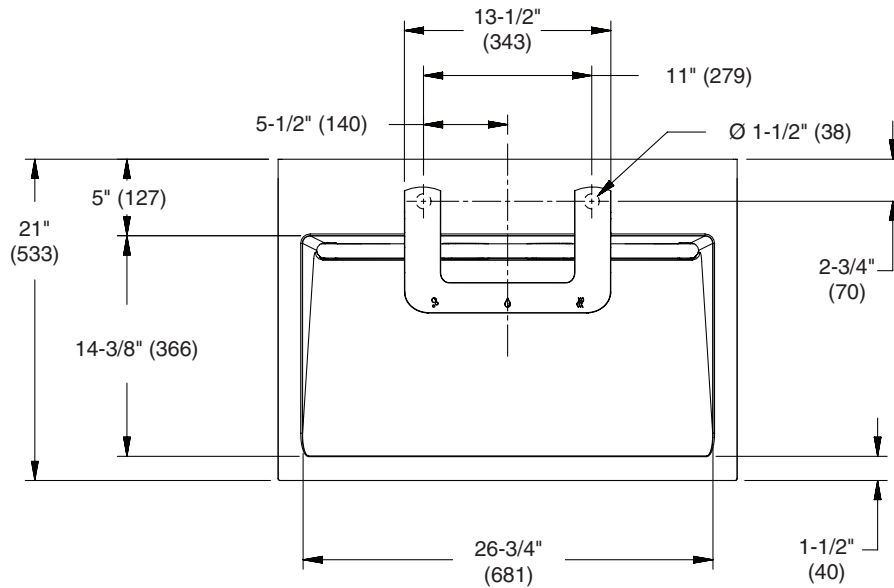


LVQD1 Verge® with WashBar™ Technology – LVQ-Series

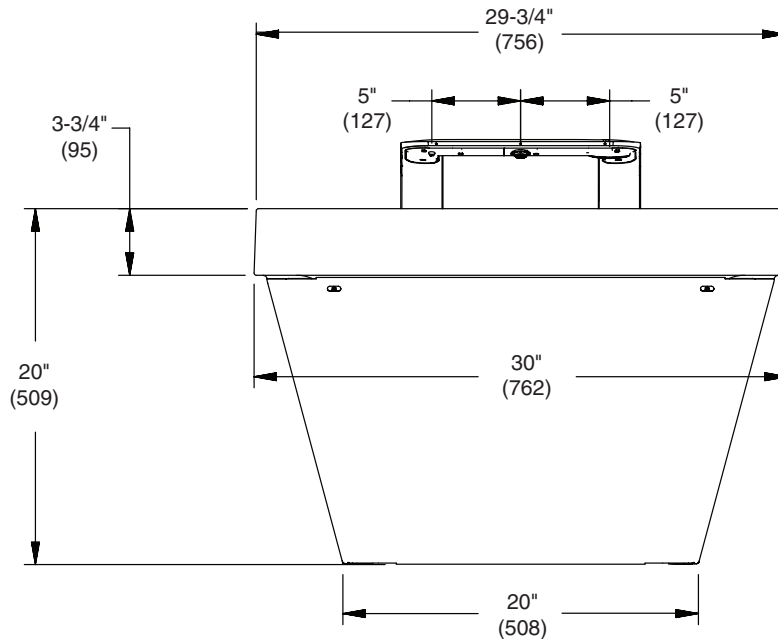
Dimensions for LVQD1 Wash Basin

(mm)

Top View



Front View



Distributor/Wholesaler:	Date: 2/19/21
Project & Location:	
Model Number:	Qty:



LVQD1

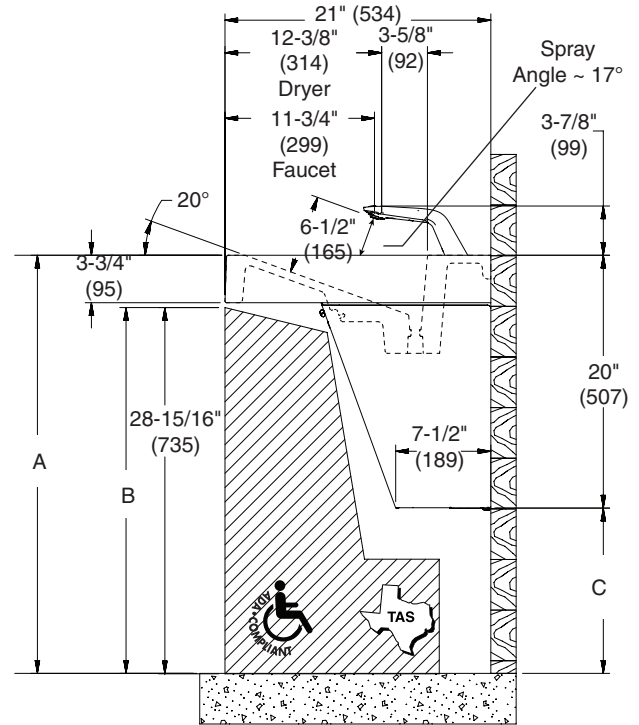
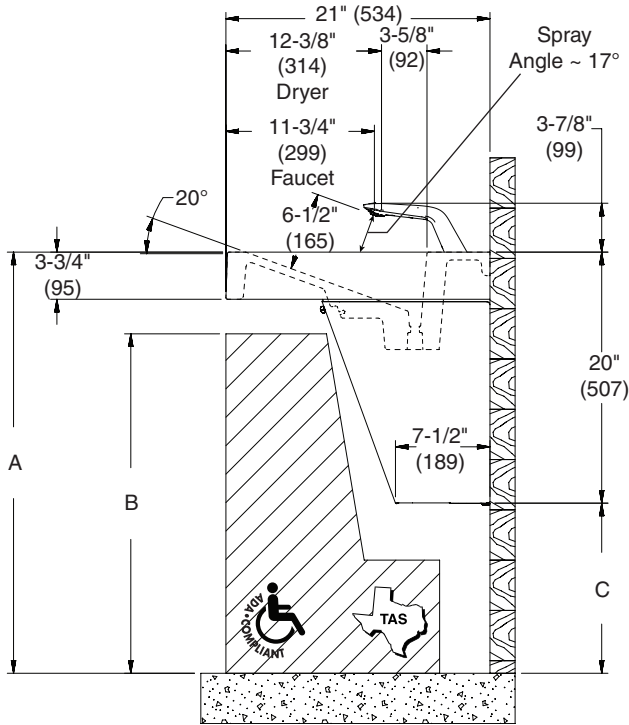
Verge® with WashBar™ Technology – LVQ-Series

Dimensions for LVQD1 Wash Basin

(mm)

Side View

Side View - Canadian Standards



	ADA/TAS Standard Height	ADA/TAS Juvenile Height (Children 6-12 years)
Dim A	33-1/2" (851mm)	30-1/2" (775mm)
Dim B	27" (686mm)	24" (610mm)
Dim C	13-1/2" (343mm)	10-1/2" (267mm)

	CSA Standard Height
Dim A	33-1/2" (851mm)
Dim B	29-29/32" (760mm)
Dim C	13-1/2" (536mm)

Distributor/Wholesaler:	Date: 2/19/21
Project & Location:	
Model Number:	Qty:



LVQD1

Verge® with WashBar™ Technology – LVQ-Series

Structural Rough-Ins for LVQD1 Wash Basin



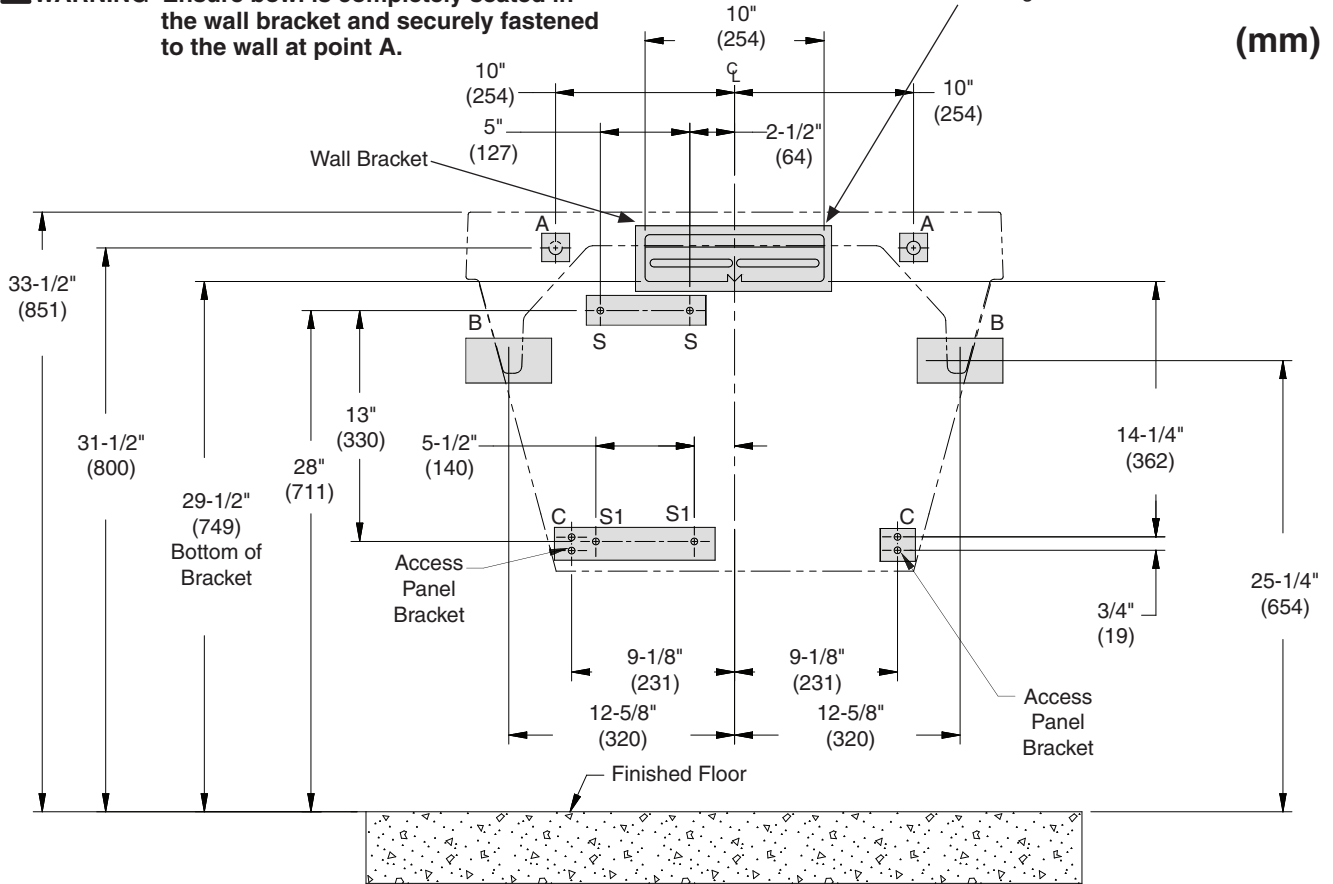
Mounting for Standard, ADA and TAS height shown.



Points A, B and C require sufficient backing compliant with local building codes.

⚠ WARNING Ensure bowl is completely seated in the wall bracket and securely fastened to the wall at point A.

Secure bracket to wall using min. 3/8" anchor bolt to the left of C/L and min. 3/8" anchor bolt to the right of C/L. The anchor bolt to the right of C/L must be min. 5" apart from the anchor bolt to the left of C/L. When mounting is complete, check to ensure the bracket is level. See Step 1: Bracket Mounting for more information.



CODE	DESCRIPTION	QTY.
A	Install (1) 3/8" wall anchor with a minimum pull-out force of 1,000 lbs. per local codes at locations shown	2
B	Provide structural backing compliant with local building codes.	2
C	Install wall anchor with a minimum pull-out force of 100 lbs. per local codes at locations shown	4
S	#10 Wall Anchors for Soap Control Box Bracket	2
S1	#10 Wall Anchors for Soap Tank Bracket (100 lb pull out)	2

RIM HEIGHT	VERTICAL HEIGHT ADJUSTMENTS	FIXTURE STYLE
33½"	No Adjustment	Standard Height, ADA, TAS and CSA
30½"	Subtract 3"	Juvenile, ADA and TAS

Distributor/Wholesaler:	Date: 2/19/21
Project & Location:	
Model Number:	Qty:



LVQD1

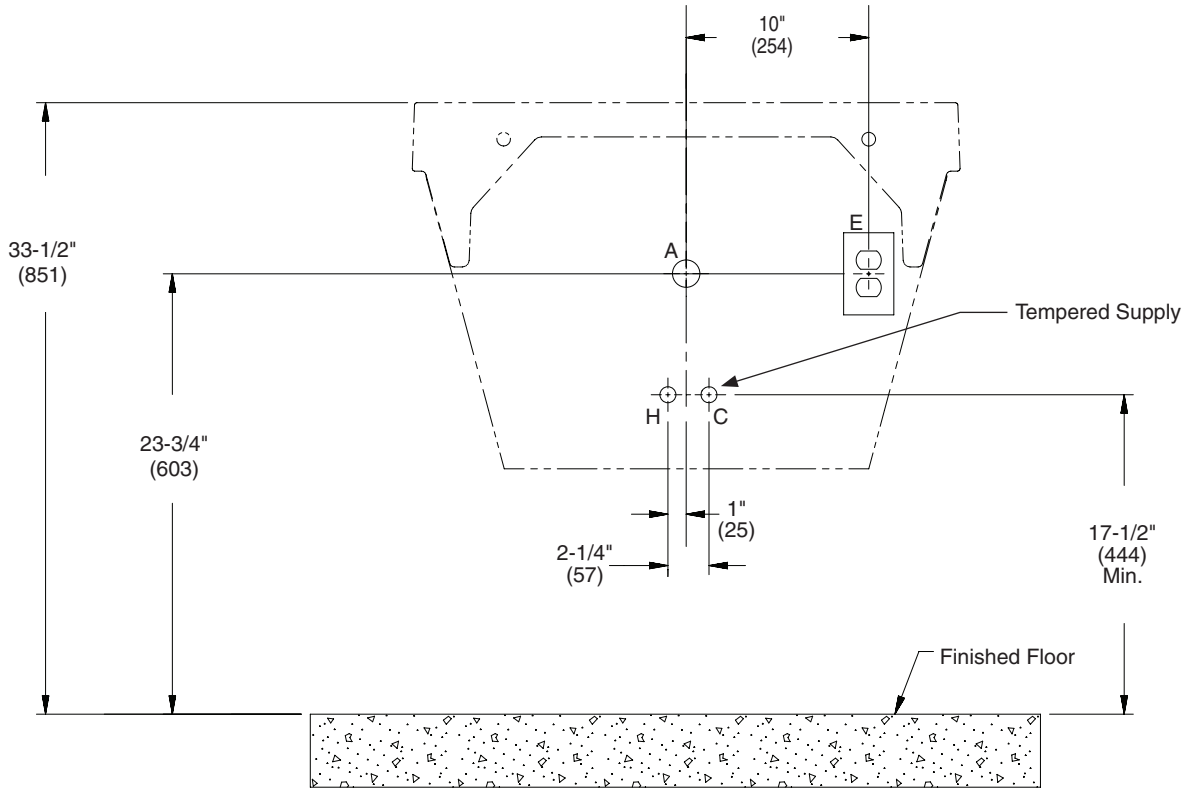
Verge® with WashBar™ Technology – LVQ-Series

Plumbing and Electrical Rough-Ins for LVQD1 Wash Basin

(mm)



Mounting for Standard, ADA and TAS height shown.



CODE	DESCRIPTION	QTY.
A	1½" NPT Drain, Stub-out 2" from wall	1
H,C	½" Nominal (5/8" O.D. Comp.) Hot/Cold supplies, Stub-out 2" from wall	1
E	110V GFI protected electrical outlet (20 amp circuit)	1

Distributor/Wholesaler:	Date: 2/19/21
Project & Location:	
Model Number:	Qty:



LVAD3 Verge® Wash Basin – LVA-Series

- Sophisticated design integrates a linear open concept
- Single piece molded design eliminates caulk lines and seams
- Standard system comes complete with mounting, access panel, drain assembly and plumbing connections

Specifications

Accommodates one to three users at a time. The unit handles washroom traffic quickly and economically, while providing each user with personal space. The Verge® Wash Basin is designed with standard lavatory spacing positioned on 30" centers.

Construction

Basin

The basin has been designed to direct water to a trench drain and features a 300 series stainless steel drain cap. The basin is constructed of Evero® Geo Series, a natural quartz surface made from a blend of bio-based resin, natural quartz, granite and other exotic minerals. It is made of 25% recycled content. Evero Pearl Series is a natural quartz surface made with bio-based resin, sea shells, recycled glass and natural quartz. It is made of 70% recycled content. Basin is available in all Evero colors.



Variations in the natural stone color, pattern, size, shape and shade are inherent. Due to these unique characteristics, please expect subtle shade variations when units are installed adjacent to each other.

Access Panel

Minimalistic panel is composed of decorative 300 series stainless steel. Water supplies, valves, waste assembly and other optional items are concealed within the panel. The new swingdown access panel is designed to ease the maintenance process by eliminating tools and only requires one person for installation and access. Top edge of the access panel has been hemmed to reduce sharpness.

Support Bracket

Bracket design allows for flexible stud or wall blocking anchor locations. Eliminates the need for in-wall carriers. IAPMO certified to meet or exceed ANSI load requirements.

Faucet Options

Choose from 0.5 GPM CAP-DCA, IR-DCD or IR-DCG which have been tested for fit and performance. Other compatible faucets include the Aerada 900 series Futura faucet, Aerada 1100 series High Arc faucets and the Aerada 1200 series CS faucet. For more information on these standard faucet options, please enter the model number in the search box at bradleycorp.com. 4" centerset and centershank faucet drillings are available for faucets by others.



Soap Dispensers

Choose from our 6334, 6324-68 or 6315 soap dispensers, which have been tested for fit and performance. For more information on these soap dispenser options, please enter the model number in the search box at bradleycorp.com. Soap drillings available for soap by others.

Strainer and Drain Assembly System

Strainer and drain assembly system comes complete with 300 series stainless steel trench drain cap, tailpiece and polypropylene p-trap. Optional chrome plated p-trap available. The multi-station system is configured with one drain and one set of supplies to reduce the cost associated with individual drains.

Mounting Heights

Standard Height Mounting

The standard height hand washing stations are to be mounted with a 33-1/2" rim height to comply with ADA/TAS reaches and clearances.

Juvenile Height Mounting

The juvenile height hand washing stations are designed to be mounted at 30-1/2" rim height to comply with ADA/TAS reaches and clearances.



This plumbing fixture is designed for hand washing only. It is not Intended to dispense water for human consumption through drinking or for preparation of food or beverages.

Distributor/Wholesaler:	Date: 2/19/21
Project & Location:	
Model Number:	Qty:



LVAD3

Verge® Wash Basin – LVA-Series

Models (Must select one)					
Model	Description				
<input type="checkbox"/> LVAD3	Verge Wash Basin – LVA-Series, Three-Station				
Standard Selections (Must select one from each category)					
Faucet Type (select one)					
<input type="checkbox"/> IR-DCG	Infrared Faucet Battery				
<input type="checkbox"/> IR-DCD	Infrared Faucet Battery				
<input type="checkbox"/> CAP-DCA	Capacitive Faucet Battery				
<input type="checkbox"/> SHANK	Centershank Drilling (1-1/4" Drilling Only)				
<input type="checkbox"/> 4" SET	4" Centerset Drilling (1-1/4" Drillings Only)				
Soap Dispenser Type (select one)					
<input type="checkbox"/> 6324-68	32 oz. Plastic Globe, 4" Spout				
<input type="checkbox"/> 6315-KT0000	Battery IR Metering Soap Dispenser Kit (with batteries and 1,000-shot soap)				
<input type="checkbox"/> 6334	16 oz. Plastic Globe, 3-1/2" Spout				
<input type="checkbox"/> SDO	1-1/4" Soap Drilling Only				
<input type="checkbox"/> NSD	No Soap Dispenser/No Drilling				
Water Supply Type (select one)					
<input type="checkbox"/> TMA	Navigator® Thermostatic Mixing Assembly w/Stops and Hot and Cold Supply Hoses				
<input type="checkbox"/> NONE	No Valve Option Selected (includes stop and supply hose)				
Color of Evero® Bowl (select one)					
<i>Geo Series</i>					
<input type="checkbox"/> ANDORRA	Andorra	<input type="checkbox"/> EVEREST	Everest	<input type="checkbox"/> MYKONOS	Mykonos
<input type="checkbox"/> ANTARCTICA	Antarctica	<input type="checkbox"/> GLACIER	Glacier Bay	<input type="checkbox"/> PATAGONIA	Patagonia
<input type="checkbox"/> BLACK-SEA	Black Sea	<input type="checkbox"/> KALAHARI	Kalahari	<input type="checkbox"/> SIERRA	Sierra Madre
<input type="checkbox"/> DENALI	Denali	<input type="checkbox"/> MOJAVE	Mojave	<input type="checkbox"/> YUKON	Yukon
<i>Pearl Series (available at an additional charge) (Non-cancelable, non-returnable)</i>					
<input type="checkbox"/> AKOYA	Akoya	<input type="checkbox"/> BLACK-MOON	Black Moon		
Access Panel Type (select one)					
<input type="checkbox"/> STAIN	Stainless Steel				
Access Panel Fastener Type (select one)					
<input type="checkbox"/> TS	Thumb Screw				
<input type="checkbox"/> VS	Vandal Resistant Screw				
Waste Assembly Type (select one)					
<input type="checkbox"/> S-POLY	Single Polypropylene P-Trap				
<input type="checkbox"/> S-CHROME	Single Chrome-Plated P-Trap				
Optional Selections					
Faucet Adapter Type					
<input type="checkbox"/> PT	Plug-in adapter to convert battery operated CAP-DCA, IR-DCD or IR-DCG				
Soap Adapter Type					
<input type="checkbox"/> P19-231F	Plug-in adapter - 6315 soap dispenser (must order qty 3 as a separate line item)				

Code Compliance and Certifications

ANSI Standards

Evero Natural Quartz Surface meets the requirements of CSA B45.5/IAPMO Z124.

cUPC Approval

Verge Wash Basin is Uniform Plumbing Code (UPC), International Plumbing Code (IPC) and National Plumbing Code of Canada (NPC) approved through the International Association of Plumbing and Mechanical Officials (IAPMO). Manufactured in compliance with IGC 156, CSA B45 Series & ASME A112.18.1/CSA B125.1.



Standard product selections contained within this document are third party **CERTIFIED** to NSF/ANSI 372 meeting the Lead-Free content requirement. Any product configured with custom options will be **COMPLIANT** with NSF/ANSI 372 meeting the Lead-Free content requirement.



Distributor/Wholesaler:

Date: 2/19/21

Project & Location:

Model Number:

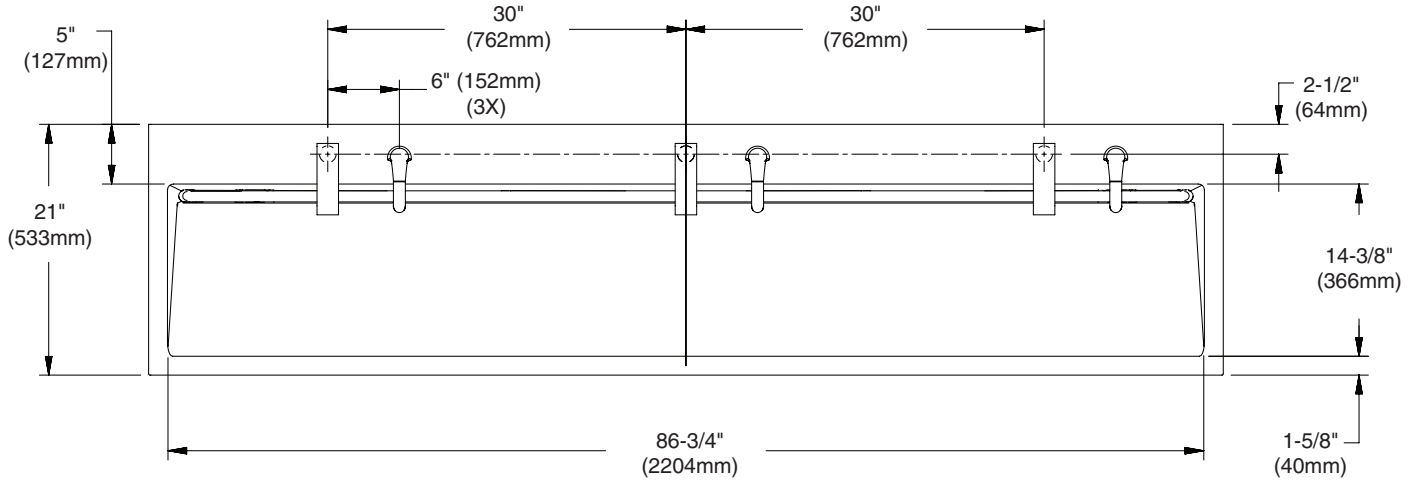
Qty:



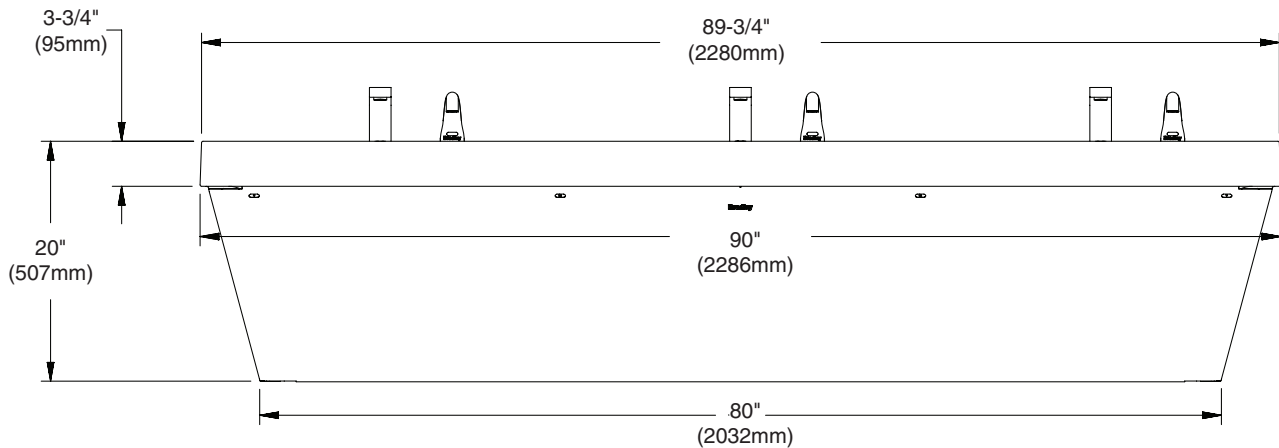
LVAD3 Verge® Wash Basin – LVA-Series

Dimensions for LVAD3 Verge Wash Basin (Shown with CAP-DCA Faucet and 6315 Soap)

Top View



Front View



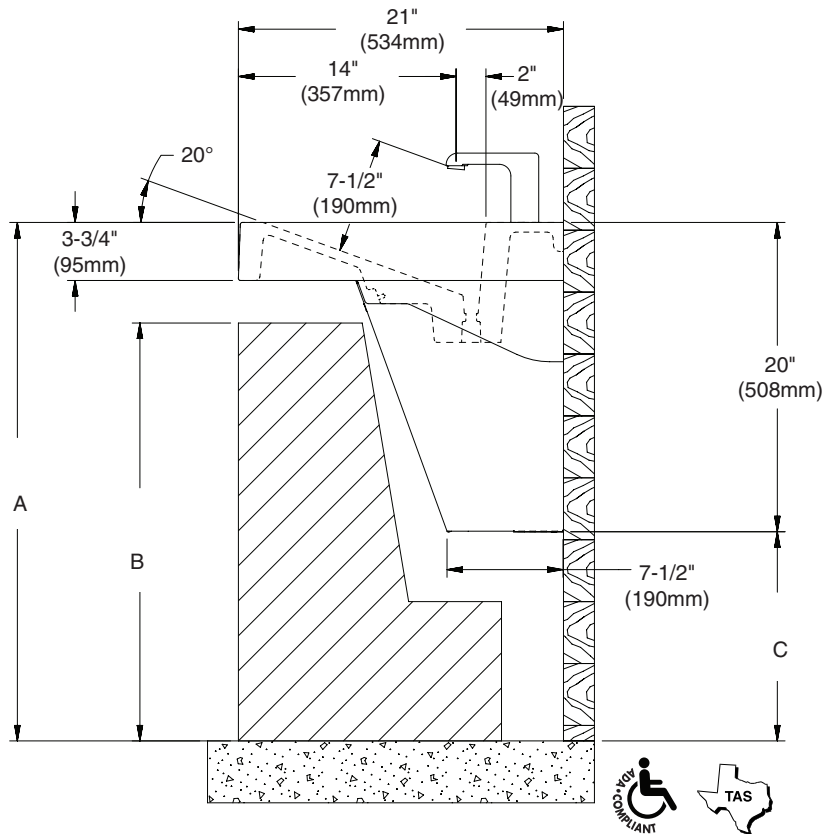
Distributor/Wholesaler:	Date: 2/19/21
Project & Location:	
Model Number:	Qty:



LVAD3 Verge® Wash Basin – LVA-Series

Dimensions for LVAD3 Verge Wash Basin

Side View



	ADA/TAS Standard Height	ADA/TAS Juvenile Height (Children 6-12 years)	CSA Standard Height
Dim A	33-1/2" (851mm)	30-1/2" (775mm)	33-1/2" (851mm)
Dim B	27" (686mm)	24" (610mm)	29-29/32" (760mm)
Dim C	13-1/2" (343mm)	10-1/2" (267mm)	13-1/2" (536mm)

Distributor/Wholesaler:	Date: 2/19/21
Project & Location:	
Model Number:	Qty:



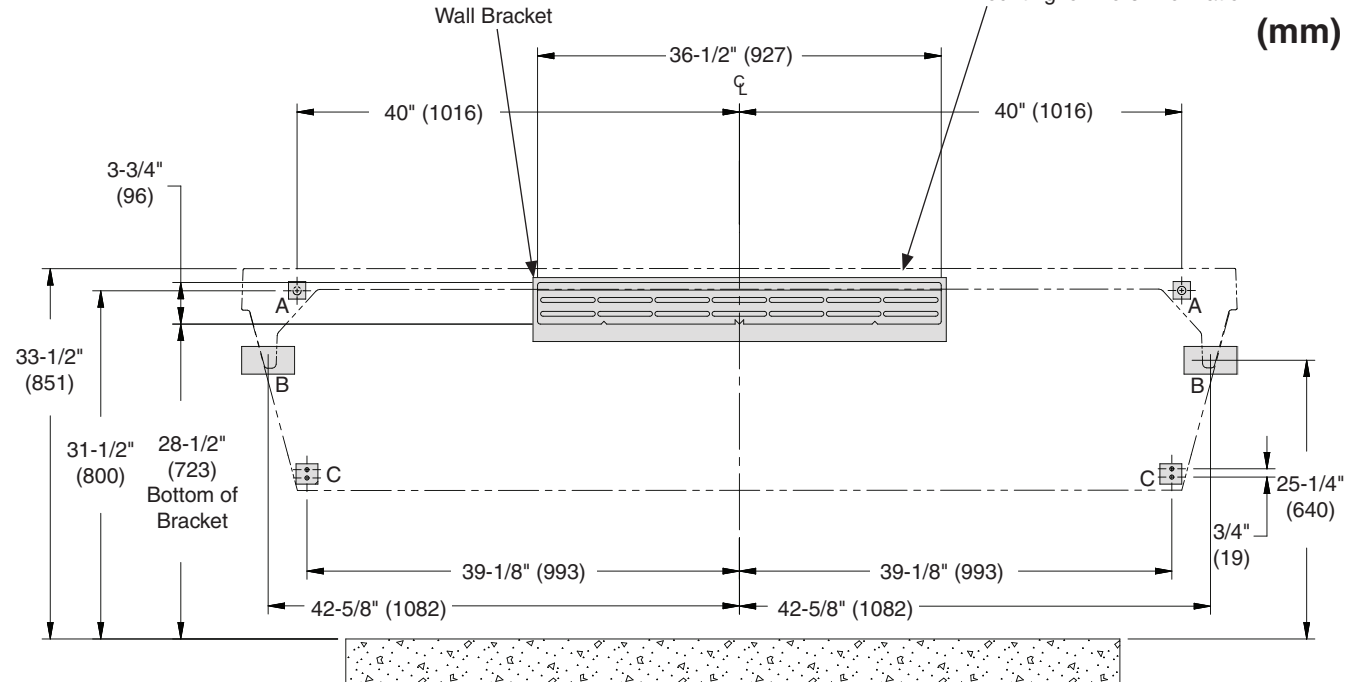
LVAD3 Verge® Wash Basin – LVA-Series

Rough-Ins for LVAD3 Verge Wash Basin

⚠ WARNING Ensure bowl is completely seated in the wall bracket and securely fastened to the wall at point A.

- Mounting for Standard, ADA and TAS height shown.
- Points A, B and C require sufficient backing compliant with local building codes.

Secure bracket to wall using min. (2) 3/8" anchor bolts to the left of C/L and min. (2) 3/8" anchor bolts to the right of C/L. The (2) anchor bolts to the right of C/L must be min. 16" apart from the anchor bolts to the left of C/L. When mounting is complete, check to ensure the bracket is level. See Step 1: Bracket Mounting for more information.



CODE	DESCRIPTION	QTY.
A	Install (1) 3/8" wall anchor with a minimum pull-out force of 1,000 lbs. per local codes at locations shown	2
B	Provide structural backing compliant with local building codes.	2
C	Install wall anchor with a minimum pull-out force of 100 lbs. per local codes at locations shown	4

RIM HEIGHT	VERTICAL HEIGHT ADJUSTMENTS	FIXTURE STYLE
33-1/2"	No Adjustment	Standard Height, ADA, TAS and CSA
30-1/2"	Subtract 3"	Juvenile, ADA and TAS

Distributor/Wholesaler:	Date: 2/19/21
Project & Location:	
Model Number:	Qty:

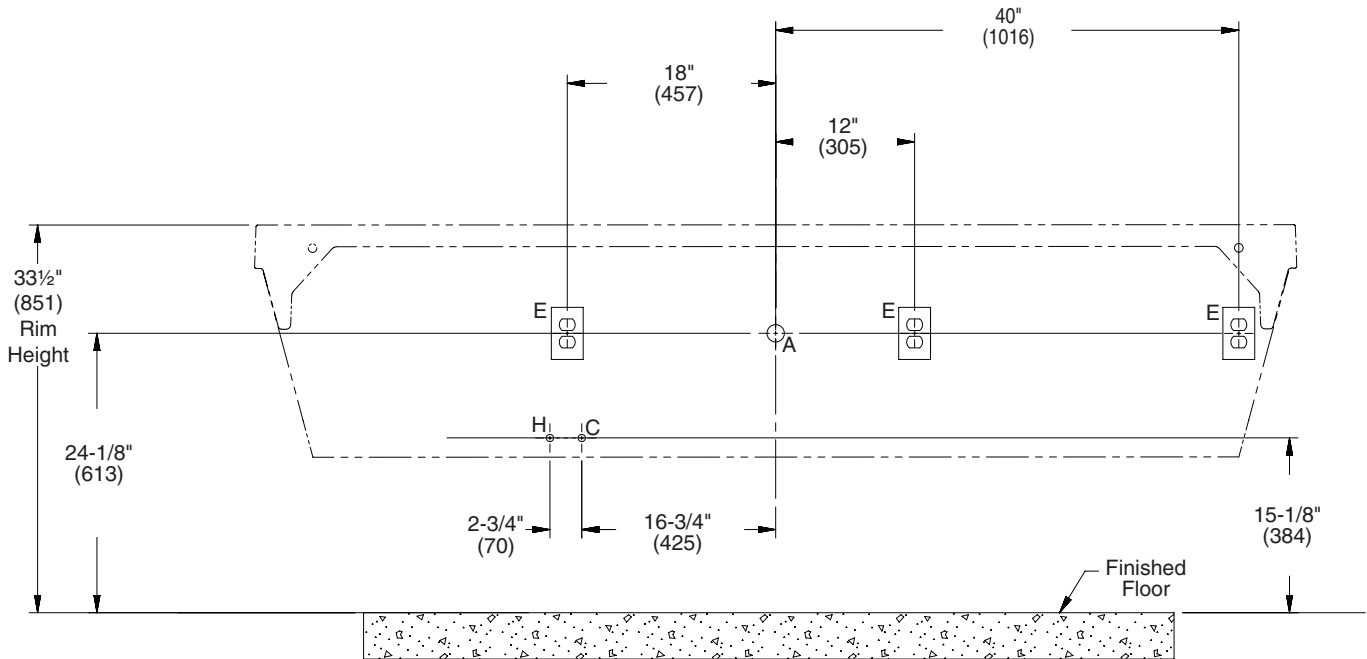


LVAD3 Verge® Wash Basin – LVA-Series

Rough-Ins for LVAD3 Verge Wash Basin

Mounting for Standard, ADA and TAS height shown.

(mm)



CODE	DESCRIPTION	QTY.
A	1½" NPT Drain, Stub-out 2" from wall	1
H,C	½" Nominal (⅝" O.D. Comp.) Hot/Cold supplies, Stub-out 2" from wall	1
E	110V GFI protected electrical outlet	3

Distributor/Wholesaler:	Date: 2/19/21
Project & Location:	
Model Number:	Qty:



LVAD2 Verge® Wash Basin – LVA-Series

- Sophisticated design integrates a linear open concept
- Single piece molded design eliminates caulk lines and seams
- Standard system comes complete with mounting, access panel, drain assembly and plumbing connections

Specifications

Accommodates one to two users at a time. The unit handles washroom traffic quickly and economically, while providing each user with personal space. The Verge® Wash Basin is designed with standard lavatory spacing positioned on 30" centers.

Construction

Basin

The basin has been designed to direct water to a trench drain and features a 300 series stainless steel drain cap. The basin is constructed of Evero® Geo Series, a natural quartz surface made from a blend of bio-based resin, natural quartz, granite and other exotic minerals. It is made of 25% recycled content. Evero Pearl Series is a natural quartz surface made with bio-based resin, sea shells, recycled glass and natural quartz. It is made of 70% recycled content. Basin is available in all Evero colors.

Variations in the natural stone color, pattern, size, shape and shade are inherent. Due to these unique characteristics, please expect subtle shade variations when units are installed adjacent to each other.

Access Panel

Minimalistic panel is composed of decorative 300 series stainless steel. Water supplies, valves, waste assembly and other optional items are concealed within the panel. The new swingdown access panel is designed to ease the maintenance process by eliminating tools and only requires one person for installation and access. Top edge of the access panel has been hemmed to reduce sharpness.

Support Bracket

Bracket design allows for flexible stud or wall blocking anchor locations. Eliminates the need for in-wall carriers. IAPMO certified to meet or exceed ANSI load requirements.

Faucet Options

Choose from 0.5 GPM CAP-DCA, IR-DCD or IR-DCG which have been tested for fit and performance. Other compatible faucets include the Aerada 900 series Futura faucet, Aerada 1100 series High Arc faucets and the Aerada 1200 series CS faucet. For more information on these standard faucet options, please enter the model number in the search box at bradleycorp.com. 4" centerset and centershank faucet drillings are available for faucets by others.



Soap Dispensers

Choose from our 6334, 6324-68 or 6315 soap dispensers, which have been tested for fit and performance. For more information on these soap dispenser options, please enter the model number in the search box at bradleycorp.com. Soap drillings available for soap by others.

Strainer and Drain Assembly System

Strainer and drain assembly system comes complete with 300 series stainless steel trench drain cap, tailpiece and polypropylene p-trap. Optional chrome plated p-trap available. The multi-station system is configured with one drain and one set of supplies to reduce the cost associated with individual drains.

Mounting Heights

Standard Height Mounting

The standard height hand washing stations are to be mounted with a 33-1/2" rim height to comply with ADA/TAS reaches and clearances.

Juvenile Height Mounting

The juvenile height hand washing stations are designed to be mounted at 30-1/2" rim height to comply with ADA/TAS reaches and clearances.

This plumbing fixture is designed for hand washing only. It is not Intended to dispense water for human consumption through drinking or for preparation of food or beverages.

Distributor/Wholesaler:	Date: 2/19/21
Project & Location:	
Model Number:	Qty:



Models (Must select one)
Model **Description**
 LVAD2 Verge Wash Basin – LVA-Series, Two-Station

Standard Selections (Must select one from each category)
Faucet Type (select one)
 IR-DCG Infrared Faucet Battery
 IR-DCD Infrared Faucet Battery
 CAP-DCA Capacitive Faucet Battery
 SHANK Centershank Drilling (1-1/4" Drilling Only)
 4" SET 4" Centerset Drilling (1-1/4" Drillings Only)

Soap Dispenser Type (select one)
 6324-68 32 oz. Plastic Globe, 4" Spout
 6315-KT0000 Battery IR Metering Soap Dispenser Kit (with batteries and 1,000-shot soap)
 6334 16 oz. Plastic Globe, 3-1/2" Spout
 SDO 1-1/4" Soap Drilling Only
 NSD No Soap Dispenser/No Drilling

Water Supply Type (select one)
 TMA Navigator® Thermostatic Mixing Assembly w/Stops and Hot and Cold Supply Hoses
 NONE No Valve Option Selected (includes stop and supply hose)

Color of Evero® Bowl (select one)
Geo Series
 ANDORRA Andorra **EVEREST** Everest **MYKONOS** Mykonos
 ANTARCTICA Antarctica **GLACIER** Glacier Bay **PATAGONIA** Patagonia
 BLACK-SEA Black Sea **KALAHARI** Kalahari **SIERRA** Sierra Madre
 DENALI Denali **MOJAVE** Mojave **YUKON** Yukon
Pearl Series (available at an additional charge) (Non-cancelable, non-returnable)
 AKOYA Akoya **BLACK-MOON** Black Moon

Access Panel Type (select one)
 STAIN Stainless Steel

Access Panel Fastener Type (select one)
 TS Thumb Screw
 VS Vandal Resistant Screw

Waste Assembly Type (select one)
 S-POLY Single Polypropylene P-Trap
 S-CHROME Single Chrome-Plated P-Trap

Optional Selections
Faucet Adapter Type
 PT Plug-in adapter to convert battery operated CAP-DCA, IR-DCD or IR-DCG

Soap Adapter Type
 P19-231F Plug-in adapter - 6315 soap dispenser (must order qty 2 as a separate line item)

Code Compliance and Certifications

ANSI Standards

Evero Natural Quartz Surface meets the requirements of CSA B45.5/IAPMO Z124.

cUPC Approval

Verge Wash Basin is Uniform Plumbing Code (UPC), International Plumbing Code (IPC) and National Plumbing Code of Canada (NPC) approved through the International Association of Plumbing and Mechanical Officials (IAPMO). Manufactured in compliance with IGC 156, CSA B45 Series & ASME A112.18.1/CSA B125.1.

Standard product selections contained within this document are third party **CERTIFIED** to NSF/ANSI 372 meeting the Lead-Free content requirement. Any product configured with custom options will be **COMPLIANT** with NSF/ANSI 372 meeting the Lead-Free content requirement.



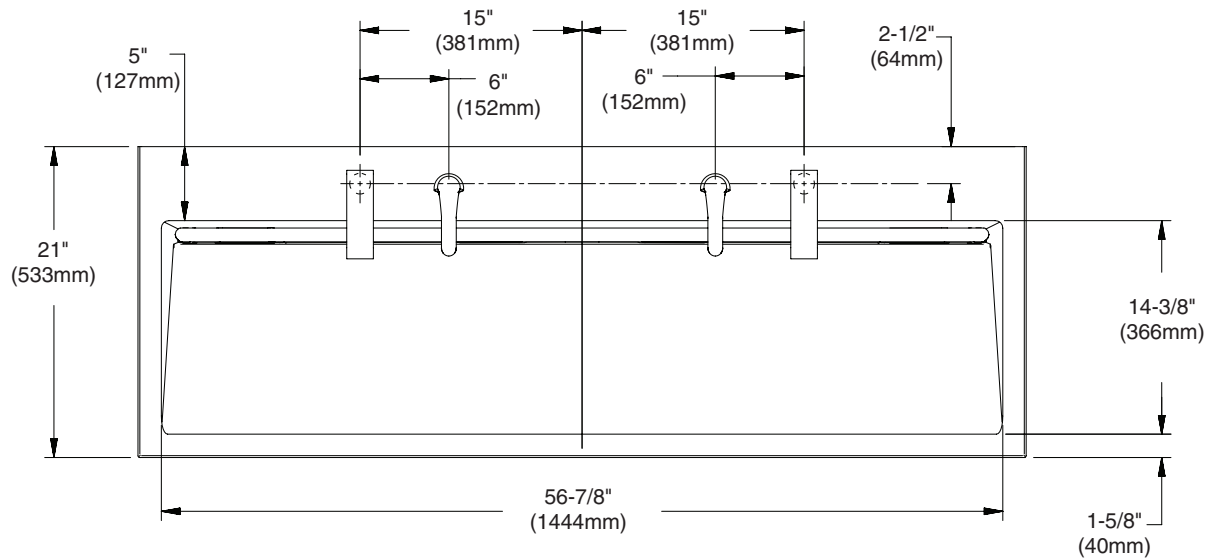
Distributor/Wholesaler:	Date: 2/19/21
Project & Location:	
Model Number:	Qty:



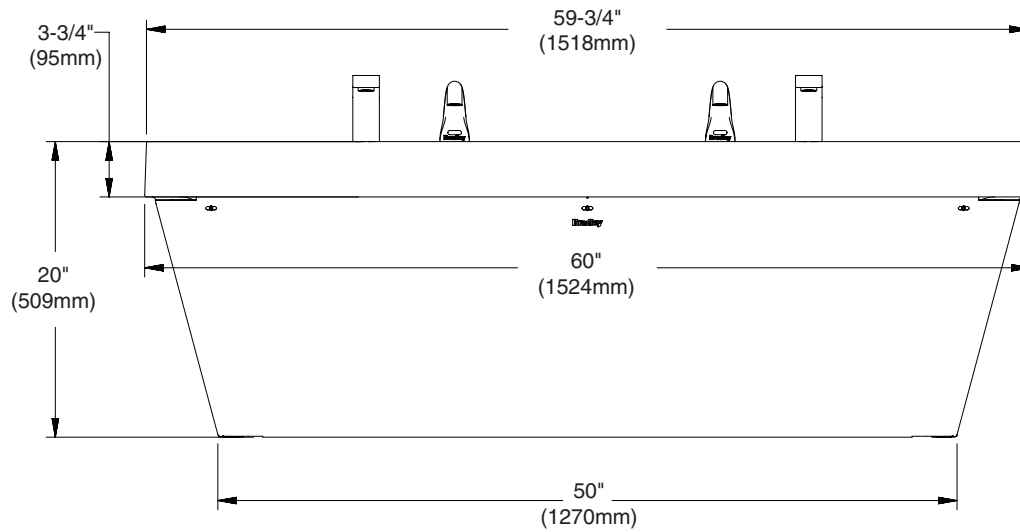
LVAD2 Verge® Wash Basin – LVA-Series

Dimensions for LVAD2 Verge Wash Basin (Shown with CAP-DCA Faucet and 6315 Soap)

Top View



Front View



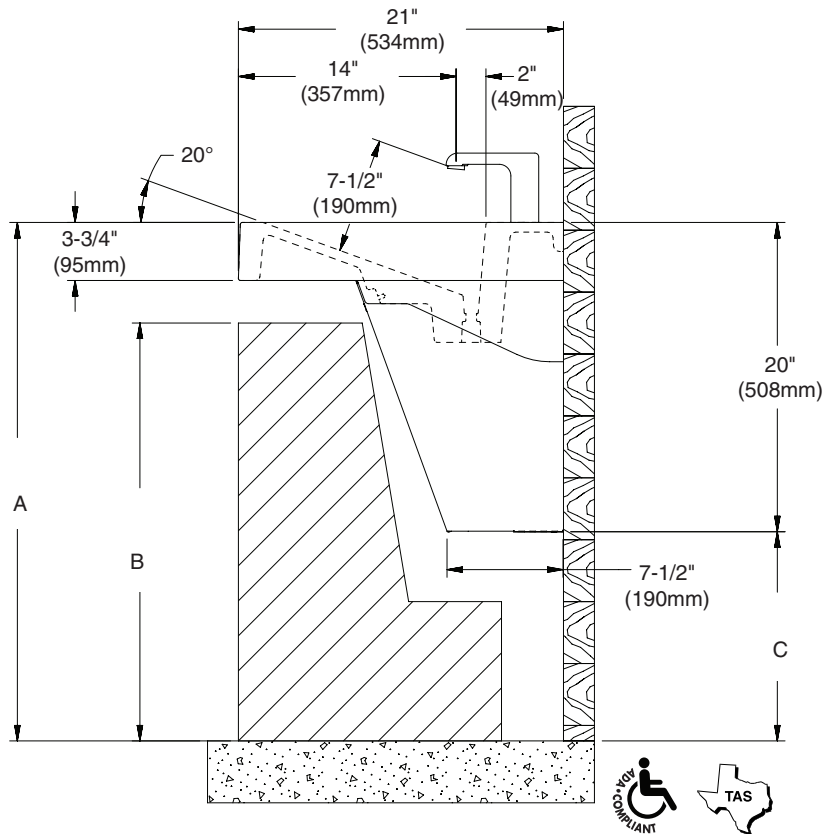
Distributor/Wholesaler:	Date: 2/19/21
Project & Location:	
Model Number:	Qty:



LVAD2 Verge® Wash Basin – LVA-Series

Dimensions for LVAD2 Verge Wash Basin

Side View



	ADA/TAS Standard Height	ADA/TAS Juvenile Height (Children 6-12 years)	CSA Standard Height
Dim A	33-1/2" (851mm)	30-1/2" (775mm)	33-1/2" (851mm)
Dim B	27" (686mm)	24" (610mm)	29-29/32" (760mm)
Dim C	13-1/2" (343mm)	10-1/2" (267mm)	13-1/2" (536mm)

Distributor/Wholesaler:	Date: 2/19/21
Project & Location:	
Model Number:	Qty:



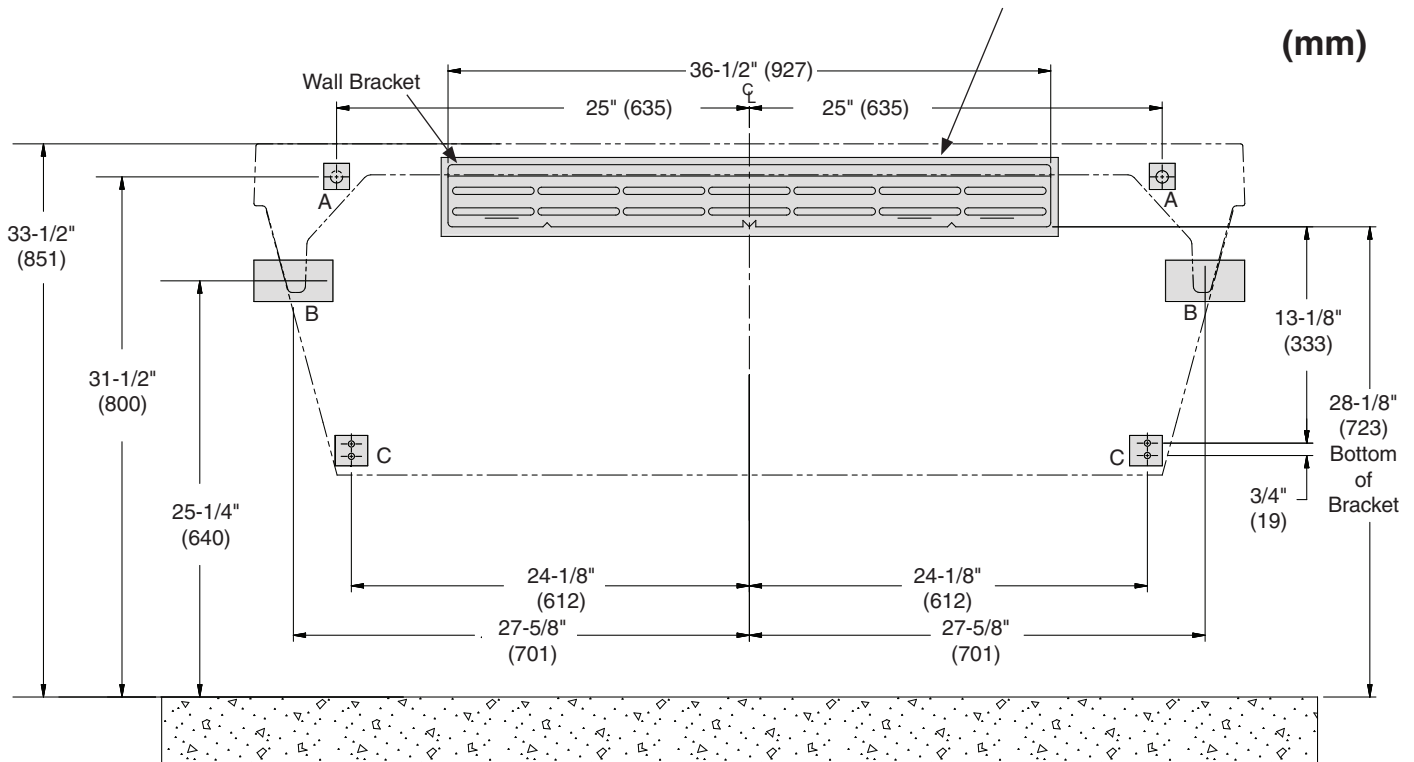
LVAD2 Verge® Wash Basin – LVA-Series

Rough-Ins for LVAD2 Verge Wash Basin

⚠ WARNING Ensure bowl is completely seated in the wall bracket and securely fastened to the wall at point A.

- Mounting for Standard, ADA and TAS height shown.
- Points A, B and C require sufficient backing compliant with local building codes.

Secure bracket to wall using min. (2) 3/8" anchor bolts to the left of C/L and min. (2) 3/8" anchor bolts to the right of C/L. The (2) anchor bolts to the right of C/L must be min. 16" apart from the anchor bolts to the left of C/L. When mounting is complete, check to ensure the bracket is level. See Step 1: Bracket Mounting for more information.



CODE	DESCRIPTION	QTY.
A	Install (1) 3/8" wall anchor with a minimum pull-out force of 1,000 lbs. per local codes at locations shown	2
B	Provide structural backing compliant with local building codes.	2
C	Install wall anchor with a minimum pull-out force of 100 lbs. per local codes at locations shown	4

RIM HEIGHT	VERTICAL HEIGHT ADJUSTMENTS	FIXTURE STYLE
33-1/2"	No Adjustment	Standard Height, ADA, TAS and CSA
30-1/2"	Subtract 3"	Juvenile, ADA and TAS

Distributor/Wholesaler:	Date: 2/19/21
Project & Location:	
Model Number:	Qty:

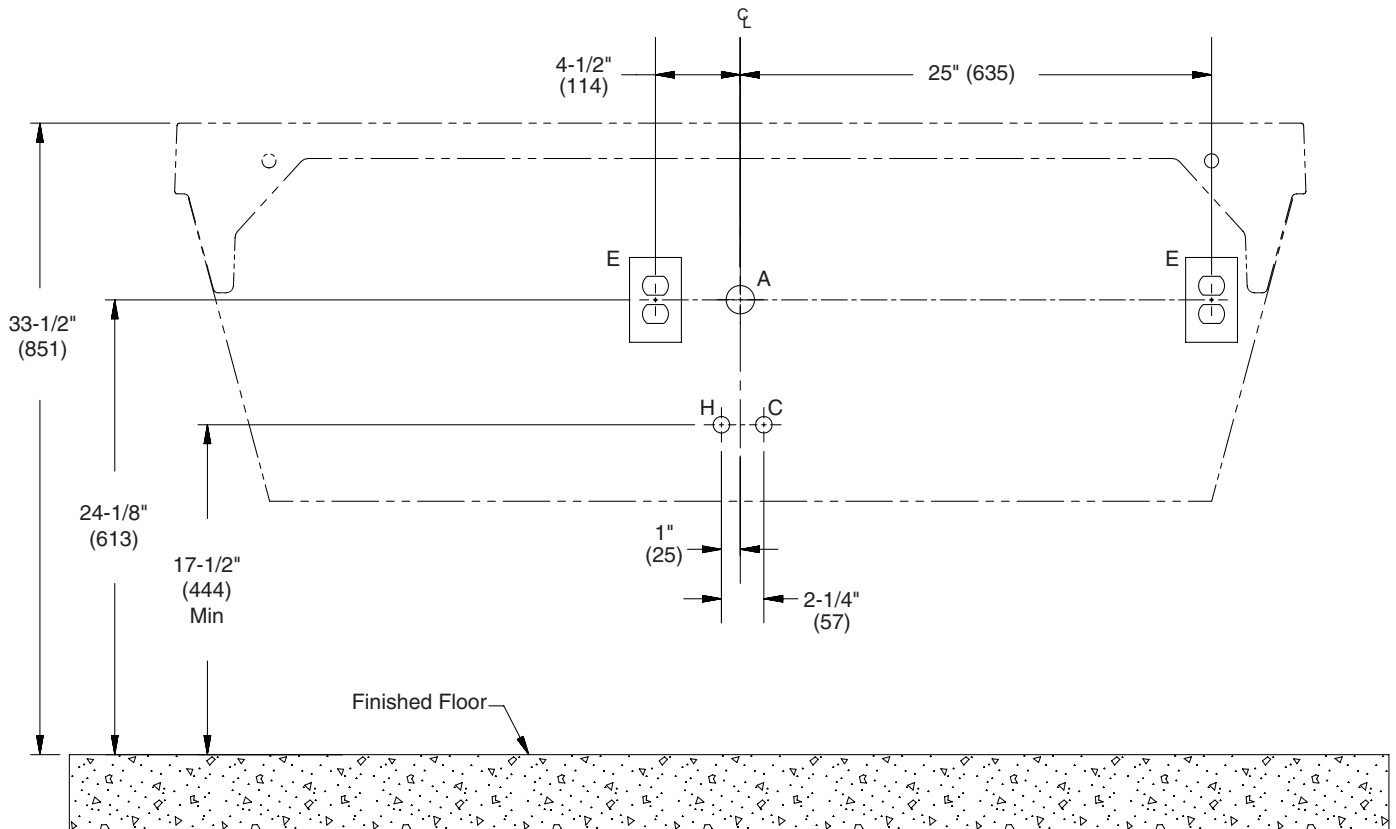


LVAD2 Verge® Wash Basin – LVA-Series

Rough-Ins for LVAD1 Verge Wash Basin

Mounting for Standard, ADA and TAS height shown.

(mm)



CODE	DESCRIPTION	QTY.
A	1½" NPT Drain, Stub-out 2" from wall	1
H,C	½" Nominal (¾" O.D. Comp.) Hot/Cold supplies, Stub-out 2" from wall	1
E	110V GFI protected electrical outlet	2

Distributor/Wholesaler:	Date: 2/19/21
Project & Location:	
Model Number:	Qty:



LVAD1 Verge® Wash Basin – LVA-Series

- Sophisticated design integrates a linear open concept
- Single piece molded design eliminates caulk lines and seams
- Standard system comes complete with mounting, access panel, drain assembly and plumbing connections

Specifications

Accommodates one user at a time. The unit handles washroom traffic quickly and economically, while providing each user with personal space. The Verge® Wash Basin is designed with standard lavatory spacing positioned on 30" centers.

Construction

Basin

The basin has been designed to direct water to a trench drain and features a 300 series stainless steel drain cap. The basin is constructed of Evero® Geo Series, a natural quartz surface made from a blend of bio-based resin, natural quartz, granite and other exotic minerals. It is made of 25% recycled content. Evero Pearl Series is a natural quartz surface made with bio-based resin, sea shells, recycled glass and natural quartz. It is made of 70% recycled content. Basin is available in all Evero colors.



Variations in the natural stone color, pattern, size, shape and shade are inherent. Due to these unique characteristics, please expect subtle shade variations when units are installed adjacent to each other.

Access Panel

Minimalistic panel is composed of decorative 300 series stainless steel. Water supplies, valves, waste assembly and other optional items are concealed within the panel. The new swingdown access panel is designed to ease the maintenance process by eliminating tools and only requires one person for installation and access. Top edge of the access panel has been hemmed to reduce sharpness.

Support Bracket

Bracket design allows for flexible stud or wall blocking anchor locations. Eliminates the need for in-wall carriers. IAPMO certified to meet or exceed ANSI load requirements.

Faucet Options

Choose from 0.5 GPM CAP-DCA, IR-DCD or IR-DCG which have been tested for fit and performance. Other compatible faucets include the Aerada 900 series Futura faucet, Aerada 1100 series High Arc faucets and the Aerada 1200 series CS faucet. For more information on these standard faucet options, please enter the model number in the search box at bradleycorp.com. 4" centerset and centershank faucet drillings are available for faucets by others.



Shown with optional faucet

Soap Dispensers

Choose from our 6334, 6324-68 or 6315 soap dispensers, which have been tested for fit and performance. For more information on these soap dispenser options, please enter the model number in the search box at bradleycorp.com. Soap drillings available for soap by others.

Strainer and Drain Assembly System

Strainer and drain assembly system comes complete with 300 series stainless steel trench drain cap, tailpiece and polypropylene p-trap. Optional chrome plated p-trap available. Configured with one drain and one set of supplies.

Mounting Heights

Standard Height Mounting

The standard height hand washing stations are to be mounted with a 33-1/2" rim height to comply with ADA/TAS reaches and clearances.

Juvenile Height Mounting

The juvenile height hand washing stations are designed to be mounted at 30-1/2" rim height to comply with ADA/TAS reaches and clearances.



This plumbing fixture is designed for hand washing only. It is not Intended to dispense water for human consumption through drinking or for preparation of food or beverages.

Distributor/Wholesaler:	Date: 2/19/21
Project & Location:	
Model Number:	Qty:



LVAD1

Verge® Wash Basin – LVA-Series

Models (Must select one)					
Model	Description				
<input type="checkbox"/> LVAD1	Verge Wash Basin – LVA-Series, One-Station				
Standard Selections (Must select one from each category)					
Faucet Type (select one)					
<input type="checkbox"/> IR-DCG	Infrared Faucet Battery				
<input type="checkbox"/> IR-DCD	Infrared Faucet Battery				
<input type="checkbox"/> CAP-DCA	Capacitive Faucet Battery				
<input type="checkbox"/> SHANK	Centershank Drilling (1-1/4" Drilling Only)				
<input type="checkbox"/> 4" SET	4" Centerset Drilling (1-1/4" Drillings Only)				
Soap Dispenser Type (select one)					
<input type="checkbox"/> 6324-68	32 oz. Plastic Globe, 4" Spout				
<input type="checkbox"/> 6315-KT0000	Battery IR Metering Soap Dispenser Kit (with batteries and 1,000-shot soap)				
<input type="checkbox"/> 6334	16 oz. Plastic Globe, 3-1/2" Spout				
<input type="checkbox"/> SDO	1-1/4" Soap Drilling Only				
<input type="checkbox"/> NSD	No Soap Dispenser/No Drilling				
Water Supply Type (select one)					
<input type="checkbox"/> TMA	Navigator® Thermostatic Mixing Assembly w/Stops and Hot and Cold Supply Hoses				
<input type="checkbox"/> NONE	No Valve Option Selected (includes stop and supply hose)				
Color of Evero® Bowl (select one)					
<i>Geo Series</i>					
<input type="checkbox"/> ANDORRA	Andorra	<input type="checkbox"/> EVEREST	Everest	<input type="checkbox"/> MYKONOS	Mykonos
<input type="checkbox"/> ANTARCTICA	Antarctica	<input type="checkbox"/> GLACIER	Glacier Bay	<input type="checkbox"/> PATAGONIA	Patagonia
<input type="checkbox"/> BLACK-SEA	Black Sea	<input type="checkbox"/> KALAHARI	Kalahari	<input type="checkbox"/> SIERRA	Sierra Madre
<input type="checkbox"/> DENALI	Denali	<input type="checkbox"/> MOJAVE	Mojave	<input type="checkbox"/> YUKON	Yukon
<i>Pearl Series (available at an additional charge) (Non-cancelable, non-returnable)</i>					
<input type="checkbox"/> AKOYA	Akoya	<input type="checkbox"/> BLACK-MOON	Black Moon		
Access Panel Type (select one)					
<input type="checkbox"/> STAIN	Stainless Steel				
Access Panel Fastener Type (select one)					
<input type="checkbox"/> TS	Thumb Screw				
<input type="checkbox"/> VS	Vandal Resistant Screw				
<input type="checkbox"/> CL	Cam Lock				
Waste Assembly Type (select one)					
<input type="checkbox"/> S-POLY	Single Polypropylene P-Trap				
<input type="checkbox"/> S-CHROME	Single Chrome-Plated P-Trap				
Optional Selections					
Faucet Adapter Type					
<input type="checkbox"/> PT	Plug-in adapter to convert battery operated CAP-DCA, IR-DCD or IR-DCG				
Soap Adapter Type					
<input type="checkbox"/> P19-231F	Plug-in adapter - 6315 soap dispenser (must order as a separate line item)				

Code Compliance and Certifications

ANSI Standards

Evero Natural Quartz Surface meets the requirements of CSA B45.5/IAPMO Z124.

cUPC Approval

Verge Wash Basin is Uniform Plumbing Code (UPC), International Plumbing Code (IPC) and National Plumbing Code of Canada (NPC) approved through the International Association of Plumbing and Mechanical Officials (IAPMO). Manufactured in compliance with IGC 156, CSA B45 Series & ASME A112.18.1/CSA B125.1.



Standard product selections contained within this document are third party **CERTIFIED** to NSF/ANSI 372 meeting the Lead-Free content requirement. Any product configured with custom options will be **COMPLIANT** with NSF/ANSI 372 meeting the Lead-Free content requirement.



Distributor/Wholesaler:

Date: 2/19/21

Project & Location:

Model Number:

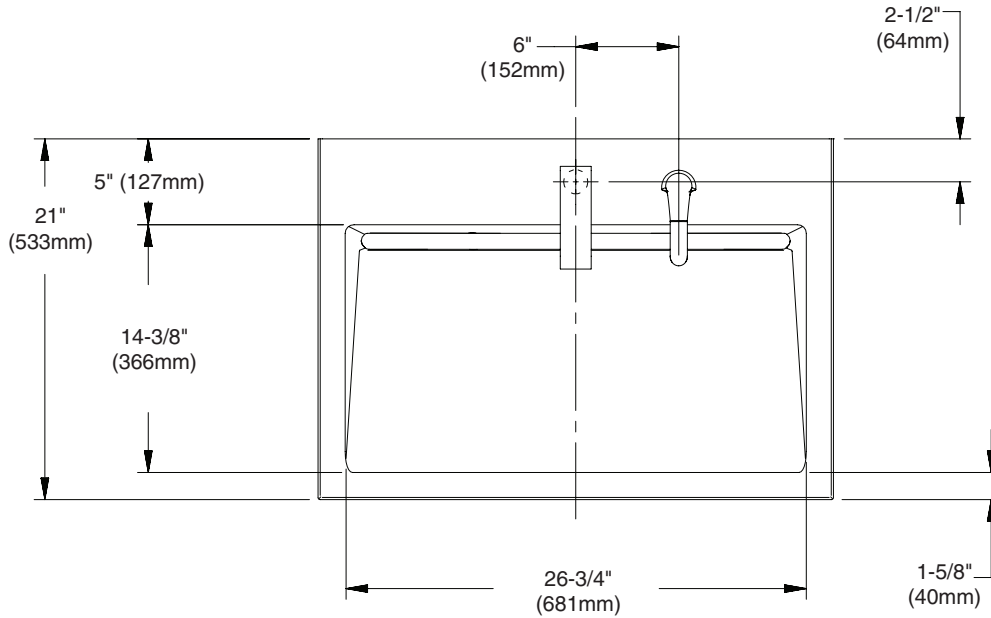
Qty:



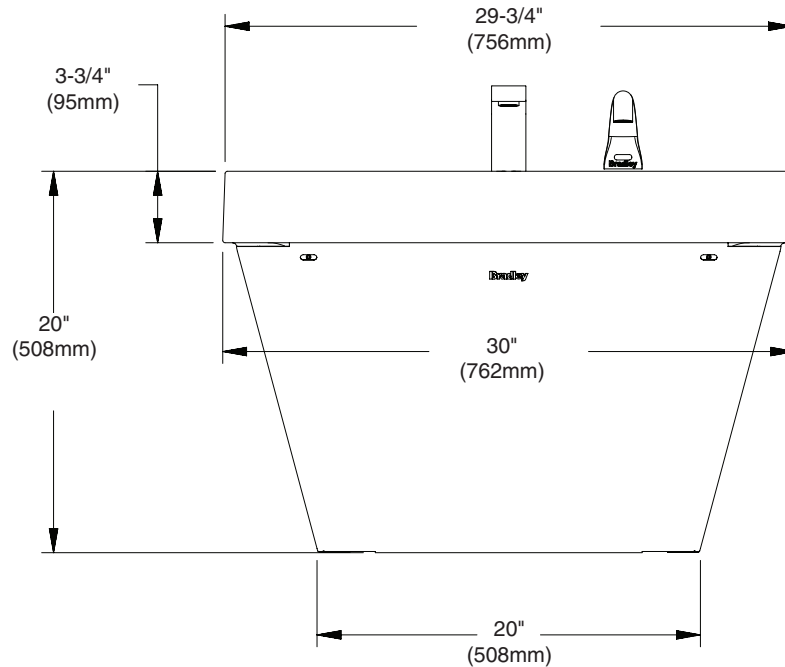
LVAD1 Verge® Wash Basin – LVA-Series

Dimensions for LVAD1 Verge Wash Basin (Shown with CAP-DCA Faucet and 6315 Soap)

Top View



Front View



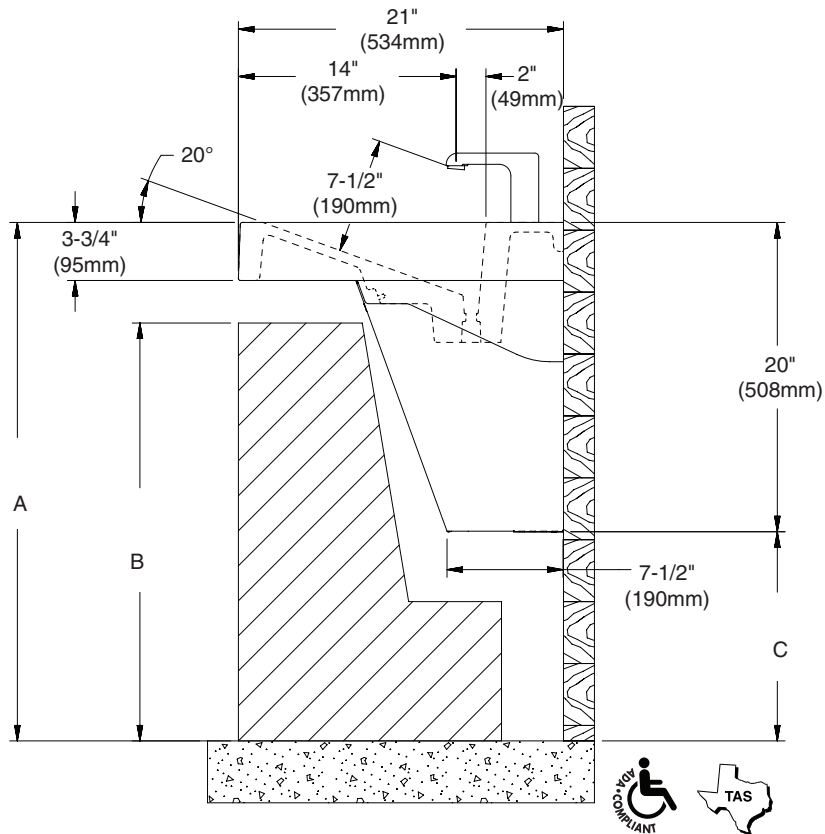
Distributor/Wholesaler:	Date: 2/19/21
Project & Location:	
Model Number:	Qty:



LVAD1 Verge® Wash Basin – LVA-Series

Dimensions for LVAD1 Verge Wash Basin

Side View



	ADA/TAS Standard Height	ADA/TAS Juvenile Height (Children 6-12 years)	CSA Standard Height
Dim A	33-1/2" (851mm)	30-1/2" (775mm)	33-1/2" (851mm)
Dim B	27" (686mm)	24" (610mm)	29-29/32" (760mm)
Dim C	13-1/2" (343mm)	10-1/2" (267mm)	13-1/2" (536mm)

Distributor/Wholesaler:	Date: 2/19/21
Project & Location:	
Model Number:	Qty:



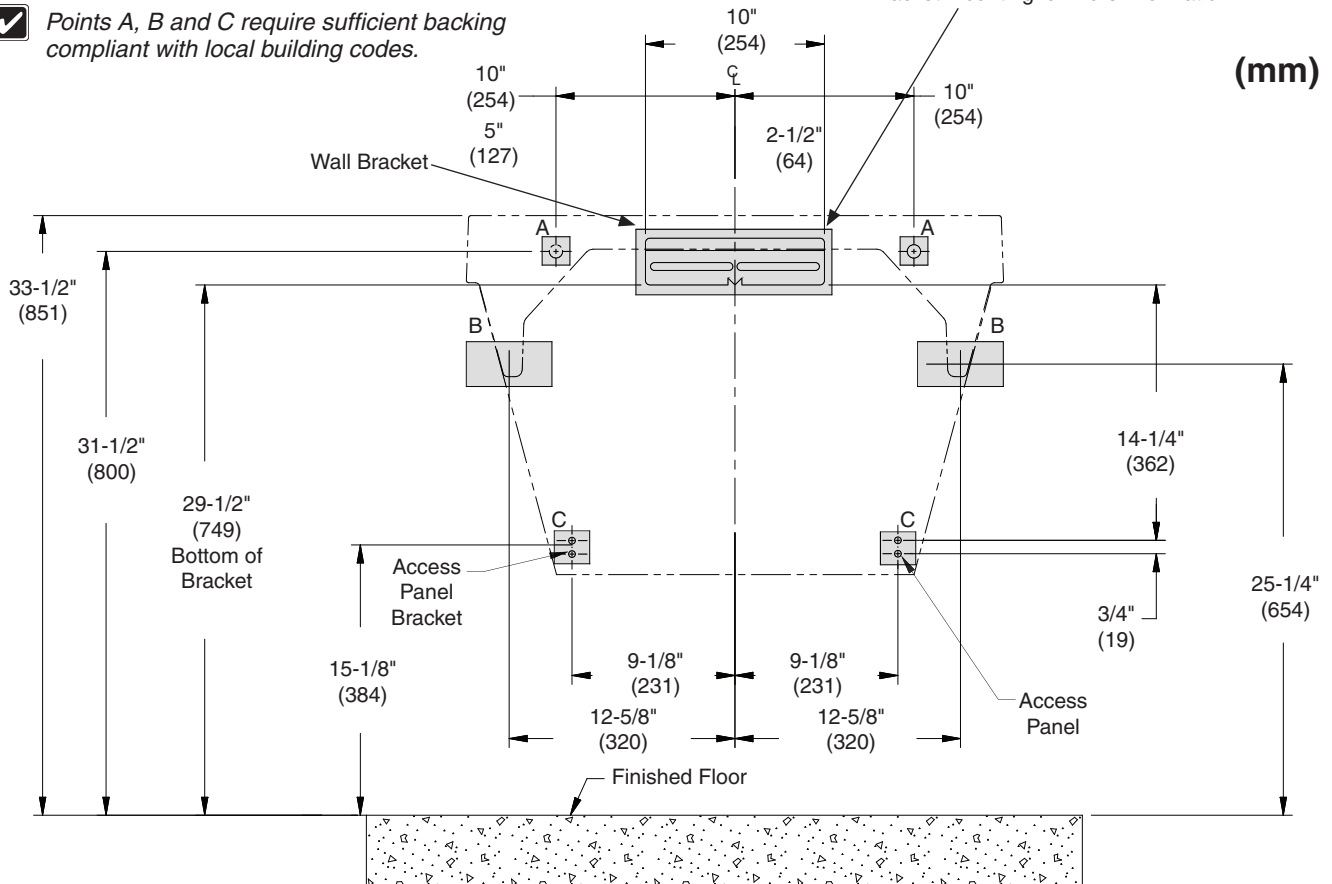
LVAD1 Verge® Wash Basin – LVA-Series

Rough-Ins for LVAD1 Verge Wash Basin

⚠ WARNING Ensure bowl is completely seated in the wall bracket and securely fastened to the wall at point A.

- Mounting for Standard, ADA and TAS height shown.
- Points A, B and C require sufficient backing compliant with local building codes.

Secure bracket to wall using min. 3/8" anchor bolt to the left of C/L and min. 3/8" anchor bolt to the right of C/L. The anchor bolt to the right of C/L must be min. 5" apart from the anchor bolt to the left of C/L. When mounting is complete, check to ensure the bracket is level. See Step 1: Bracket Mounting for more information.



CODE	DESCRIPTION	QTY.
A	Install (1) 3/8" wall anchor with a minimum pull-out force of 1,000 lbs. per local codes at locations shown	2
B	Provide structural backing compliant with local building codes.	2
C	Install wall anchor with a minimum pull-out force of 100 lbs. per local codes at locations shown	4

RIM HEIGHT	VERTICAL HEIGHT ADJUSTMENTS	FIXTURE STYLE
33-1/2"	No Adjustment	Standard Height, ADA, TAS and CSA
30-1/2"	Subtract 3"	Juvenile, ADA and TAS

Distributor/Wholesaler:	Date: 2/19/21
Project & Location:	
Model Number:	Qty:

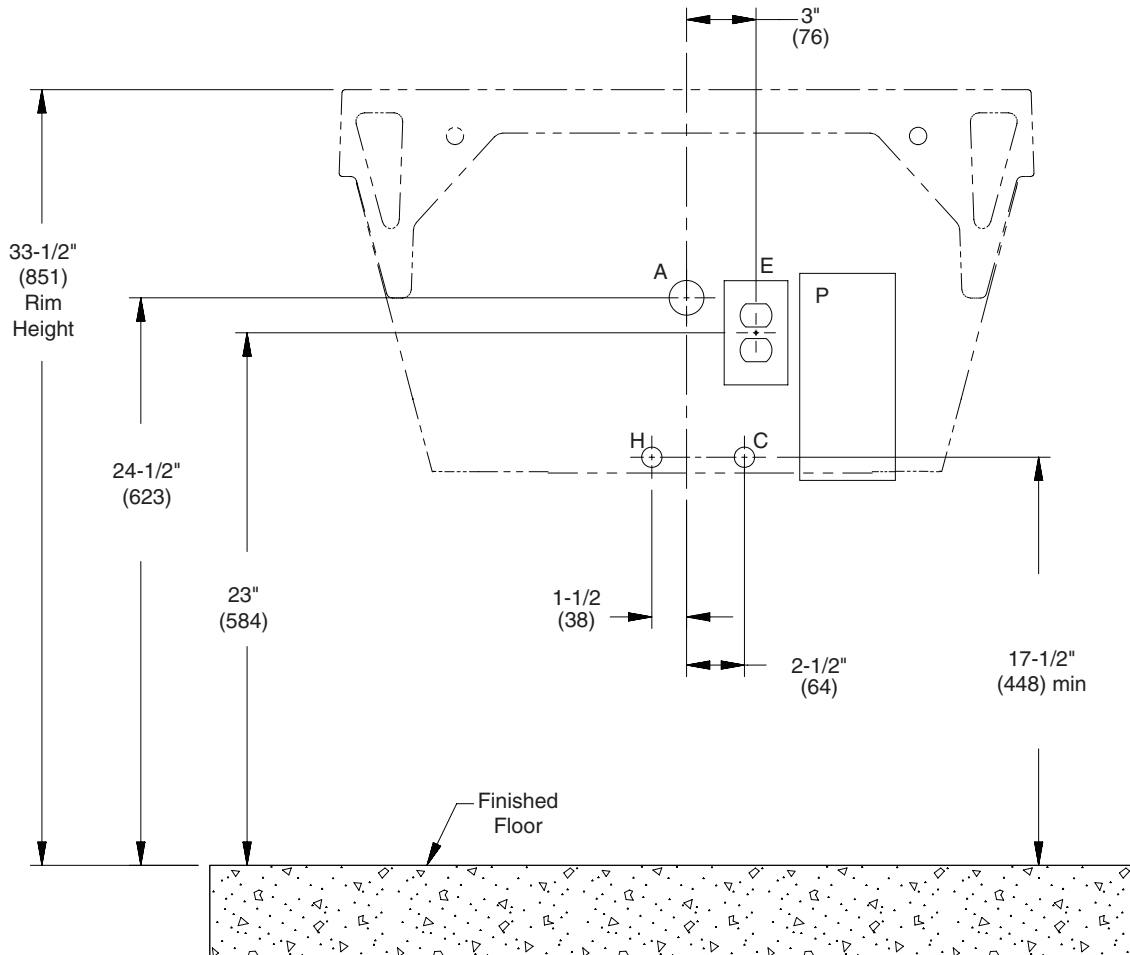


LVAD1 Verge® Wash Basin – LVA-Series

Rough-Ins for LVAD1 Verge Wash Basin

Mounting for Standard, ADA and TAS height shown.

(mm)



CODE	DESCRIPTION	QTY.
A	1½" NPT Drain, Stub-out 2" from wall, individual waste option	1
H,C	½" Nominal (5/8" O.D. Comp.) Hot/Cold supplies, Stub-out 2" from wall	1
E	110V GFI protected electrical outlet (AC faucet and soap only)	1
P	Outline of soap container (if selected)	1

Distributor/Wholesaler:	Date: 2/19/21
Project & Location:	
Model Number:	Qty:



LVRD2 Verge® Wash Basin – LVR-Series

- ADA and TAS Compliant
- Serves One or Two Users at a Time
- Standard Lavatory Spacing on 30" Centers
- Elongated Basin is Constructed of Evero® Natural Quartz Surface
- Select a Bradley Faucet or Faucet by Others
- Available in a variety of colors

Specifications

Accommodates one or two users. The units handle washroom traffic quickly and economically, while providing each user with personal space. The Verge® Wash Basin is designed with standard lavatory spacing positioned on 30" centers.

Construction

Basin

Evero Geo Series is a natural quartz surface made from a blend of bio-based resin, natural quartz, granite and other exotic minerals. It is made of 25% recycled content.

Evero Pearl Series is a natural quartz surface made with bio-based resin, sea shells, recycled glass and natural quartz. It is made of 70% recycled content.

Variations in the natural stone color, pattern, size, shape and shade are inherent. Due to these unique characteristics, please expect subtle shade variations when units are installed adjacent to each other.

Access Panel

Panel is composed of decorative 300 series stainless steel.

Support Frame

Basin assembly and access panel are secured to a heavy gauge stainless steel support frame mounted to wall.

Vandal Resistance

Water supplies, valves, waste assembly and other optional items are concealed within the panel/frame.

Faucet Options

There are several hands-free faucet options available with the Verge Wash Basin. Choose from CAP-DCA, IR-DCD, or IR-DCG. For more information on these standard faucet options and plug-in adapters, please enter the model number in the search box at www.bradleycorp.com. 4" Centerset and Centershank faucet hole drillings are available for faucets by others.

Code Compliance and Certifications

ANSI Standards

Evero Natural Quartz Surface meets the requirements of CSA B45.5/IAPMO Z124.

cUPC Approval

Verge Wash Basin is Uniform Plumbing Code (UPC), International Plumbing Code (IPC) and National Plumbing Code of Canada (NPC) approved through the International Association of Plumbing and Mechanical Officials (IAPMO). Manufactured in compliance with IGC 156, CSA B45 Series (R08) & ASME A112.18.1/CSA B125.1.

This plumbing fixture is designed for hand washing only. It is not Intended to dispense water for human consumption through drinking or for preparation of food or beverages.

Standard product selections contained within this document are third party **CERTIFIED** to NSF/ANSI 372 meeting the Lead-Free content requirement. Any product configured with custom options will be **COMPLIANT** with NSF/ANSI 372 meeting the Lead-Free content requirement.

Protected by one or more of the following U.S. Patents: D629,877 S; D640,778 S; and D649232 S.

Page 1 of 4 4/20/2018

This information is subject to change without notice.

Bradley_Sink_Verge_LVRD2



Models (Must select one)

Model Description

- LVRD2** Verge Wash Basin – LVRD-Series, Two-Station

Standard Selections (Must select one from each category)

Faucet Type (select one)

- IR-DCG** Infrared Faucet Battery **4" SET** 4" Centerset Drilling (1-1/4" Drillings Only)
 IR-DCD Infrared Faucet Battery **SHANK** Centershank Drilling (1-1/4" Drillings Only)
 CAP-DCA Capacitive Faucet Battery

Soap Dispenser Type (select one)

- 6324-68** 32-oz. Plastic Globe, 4" Spout
 6315-KT0000 Battery IR Metering Soap Dispenser Kit (with batteries and 1,000-shot soap)
 6334 16 oz. Plastic Globe, 3-1/2" Spout
 SDO 1-1/4" Soap Drilling Only
 NSD No Soap Dispenser/No Drilling

Water Supply Type (select one)

- TMA** Navigator® Thermostatic Mixing Assembly (Hot and Cold Supplies) w/Stops and Supply Hoses
 NONE No Valve Option Selected (includes stops and supply hoses)

Color of Evero® Basin (select one)

Geo Series

- | | | |
|---|---|---|
| <input type="checkbox"/> ANDORRA Andorra | <input type="checkbox"/> EVEREST Everest | <input type="checkbox"/> MYKONOS Mykonos |
| <input type="checkbox"/> ANTARCTICA Antarctica | <input type="checkbox"/> GLACIER Glacier Bay | <input type="checkbox"/> PATAGONIA Patagonia |
| <input type="checkbox"/> BLACK-SEA Black Sea | <input type="checkbox"/> KALAHARI Kalahari | <input type="checkbox"/> SIERRA Sierra Madre |
| <input type="checkbox"/> DENALI Denali | <input type="checkbox"/> MOJAVE Mojave | <input type="checkbox"/> YUKON Yukon |

Pearl Series (available at an additional charge) (Non-cancelable, non-returnable)

- AKOYA** Akoya **BLACK-MOON** Black Moon

Access Panel Type (select one)

- STAIN** Stainless Steel

Waste Assembly Type:

- S-POLY** Single Plastic Polypropylene P-Trap
 S-CHROME Single Chrome-Plated P-Trap

Optional Selections

Faucet Adapter Type:

- PT** Plug-in adapter to convert battery operated CAP-DCA, IR-DCD or IR-DCG

Soap Adapter Type:

- P19-231F** Plug-in adapter - 6315 soap dispenser (must order as a separate line item)

For more information on Evero Natural Quartz Surface, faucets, valves, transformers, and the sensor-operated soap dispenser, please visit bradleycorp.com.



© 2018 Bradley

P.O. Box 309, Menomonee Falls, WI 53052-0309

800 BRADLEY (800 272 3539) +1 262 251 6000

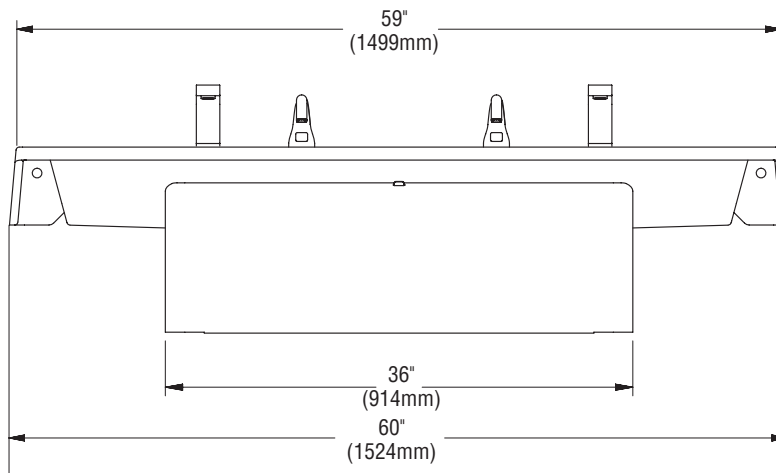
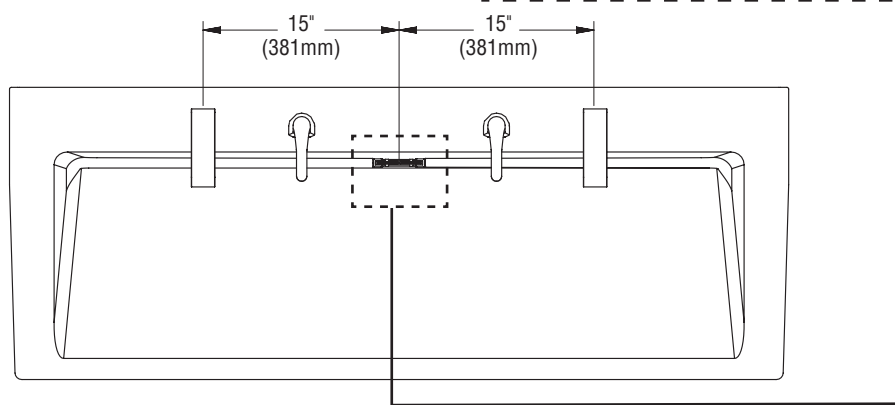
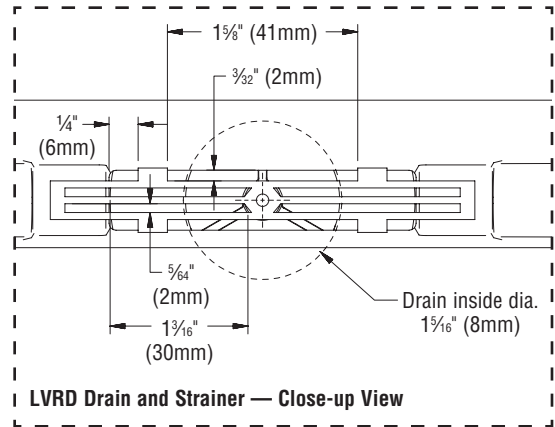
bradleycorp.com

Distributor/Wholesaler:	Date: 2/19/21
Project & Location:	
Model Number:	Qty:



LVRD2 Verge® Wash Basin – LVR-Series

Dimensions for LVRD2 Verge Wash Basin

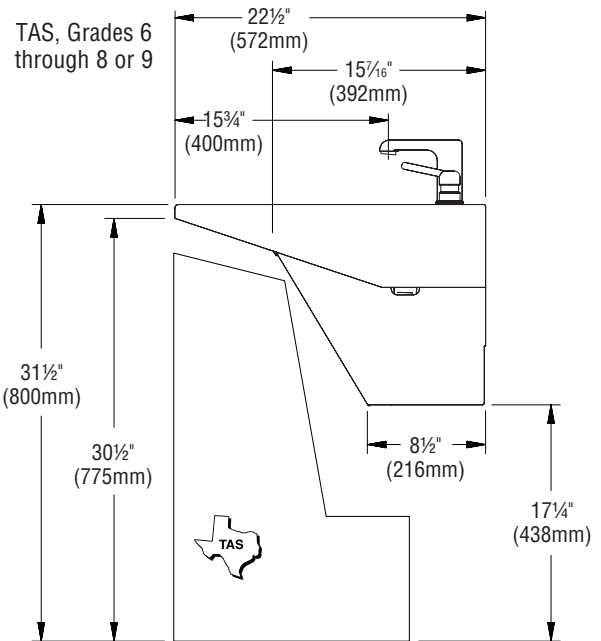
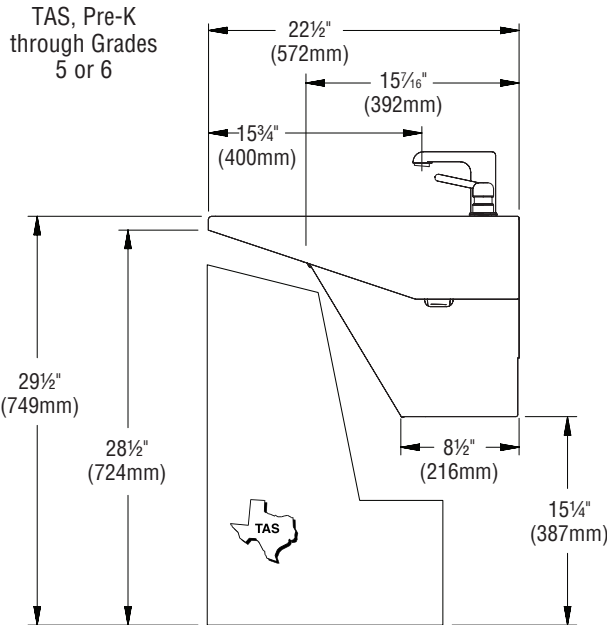
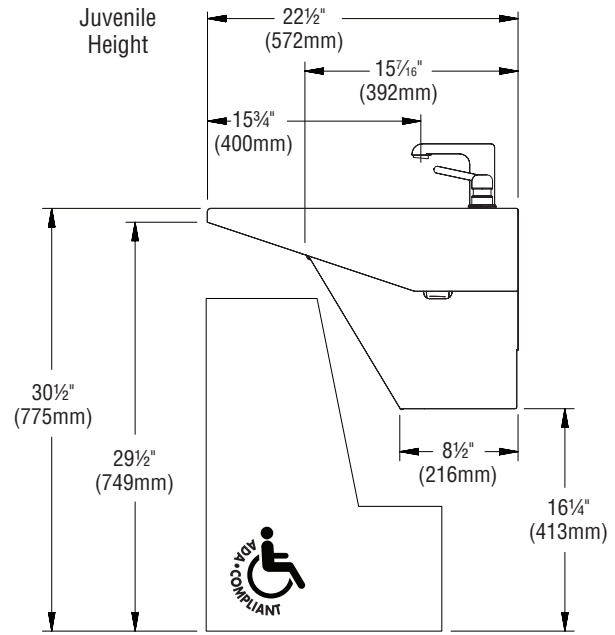
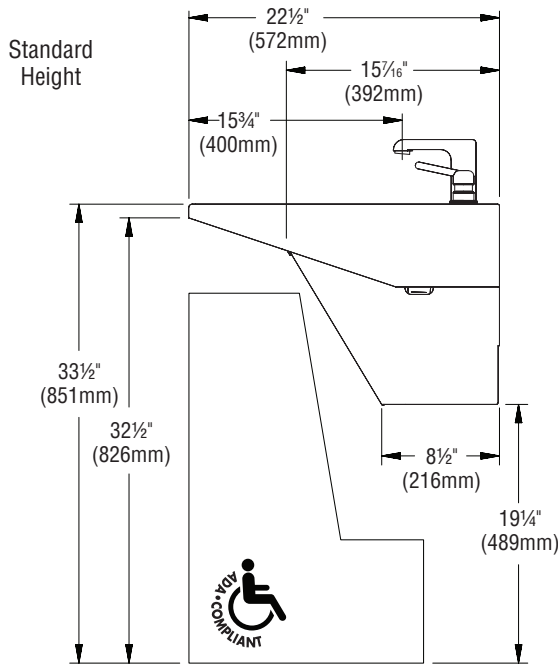


Distributor/Wholesaler:	Date: 2/19/21
Project & Location:	
Model Number:	Qty:



LVRD2 Verge® Wash Basin – LVR-Series

Dimensions for LVRD2 Verge Wash Basin



Distributor/Wholesaler:

Date: 2/19/21

Project & Location:

Model Number:

Qty:

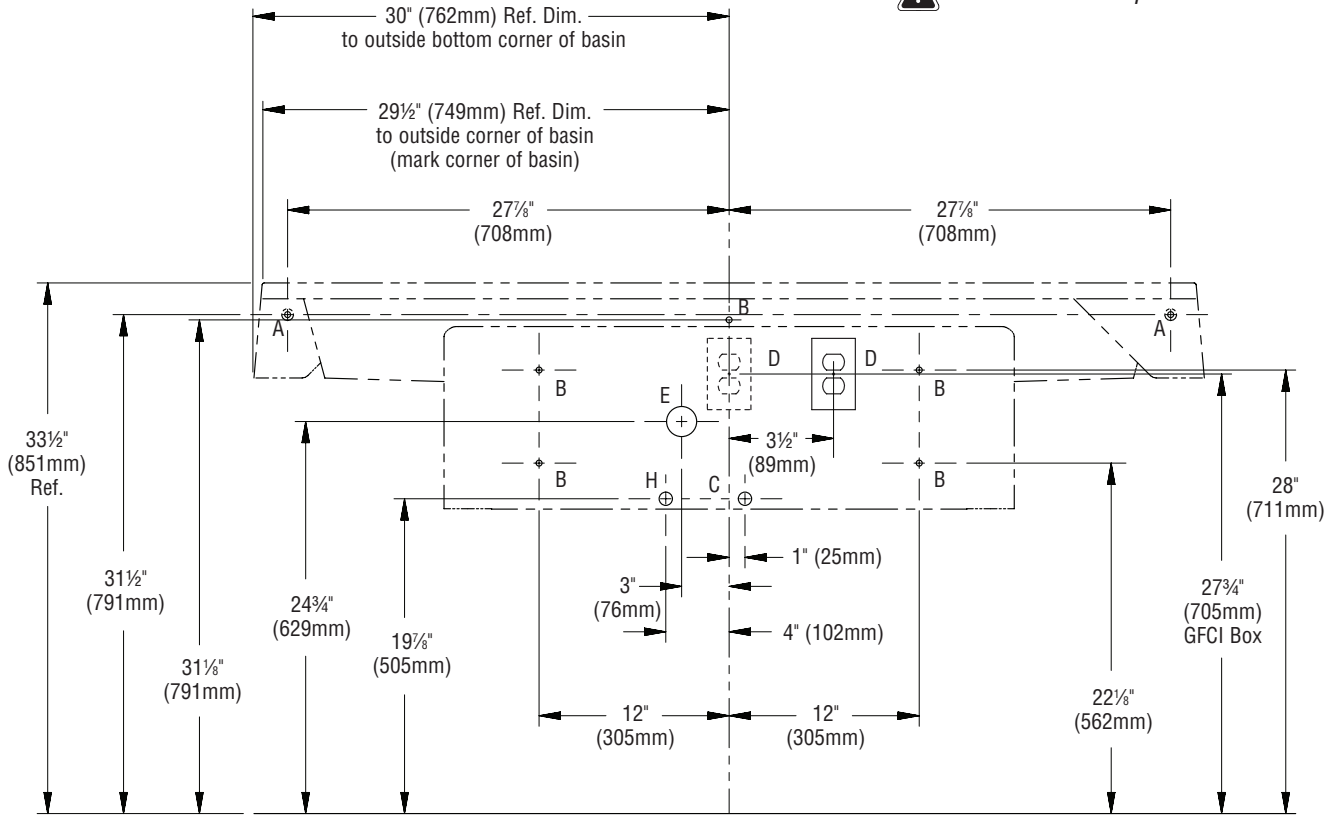


LVRD2 Verge® Wash Basin – LVR-Series

Rough-Ins for LVRD2 Verge Wash Basin

Standard rough-in shown.

Reinforce wall at points A and B.



CODE	DESCRIPTION	QTY.
A	3/8" Lav Deck Bowl Anchors with a Minimum Pull-Out Force of 1,000 lbs. (reinforce walls at anchor points)	2
B	3/8" Lav Deck Frame Anchors with a Minimum Pull-Out Force of 1,000 lbs. (reinforce walls at anchor points)	5
H, C	1/2" Hot/Cold Supplies, Stub-Out 2" From Wall	1
D	110v GFI Protected Electrical Outlet (AC faucet and soap only) <i>Two single outlets are required for CAP-DCA faucets due to the size of the transformers.</i>	2
E	1 1/2" NPT Drain, Stub-Out 2" from Wall	1

RIM HEIGHT	VERTICAL HEIGHT ADJUSTMENTS FOR CODES A-E and H	FIXTURE STYLE
33 1/2"	None	Standard Height
31 1/2"	Subtract 2"	TAS, Grades 6 through 8 or 9
29 1/2"	Subtract 4"	TAS, Pre-K through Grades 5 or 6
30 1/2"	Subtract 3"	Juvenile Height

Distributor/Wholesaler:	Date: 2/19/21
Project & Location:	
Model Number:	Qty:



LVRD3 Verge® Wash Basin – LVR-Series

- ADA and TAS Compliant
- Serves One to Three Users at a Time
- Standard Lavatory Spacing on 30" Centers
- Elongated Basin is Constructed of Evero® Natural Quartz Surface
- Select a Bradley Faucet or Faucet by Others
- Available in a variety of colors

Specifications

Accommodates one to three users. The units handle washroom traffic quickly and economically, while providing each user with personal space. The Verge® Wash Basin is designed with standard lavatory spacing positioned on 30" centers.

Construction

Basin

Evero Geo Series is a natural quartz surface made from a blend of bio-based resin, natural quartz, granite and other exotic minerals. It is made of 25% recycled content.

Evero Pearl Series is a natural quartz surface made with bio-based resin, sea shells, recycled glass and natural quartz. It is made of 70% recycled content.

Variations in the natural stone color, pattern, size, shape and shade are inherent. Due to these unique characteristics, please expect subtle shade variations when units are installed adjacent to each other.

Access Panel

Panel is composed of decorative 300 series stainless steel.

Support Frame

Basin assembly and access panel are secured to a heavy gauge stainless steel support frame mounted to wall.

Vandal Resistance

Water supplies, valves, waste assembly and other optional items are concealed within the access panel/frame.

Faucet Options

There are several hands-free faucet options available with the Verge Wash Basin. Choose from CAP-DCA, IR-DCD, or IR-DCG. For more information on these standard faucet options and plug-in adapters, please enter the model number in the search box at www.bradleycorp.com. 4" Centerset and Centershank faucet hole drillings are available for faucets by others.

Code Compliance and Certifications

ANSI Standards

Evero Natural Quartz Surface meets the requirements of CSA B45.5/IAPMO Z124.

cUPC Approval

Verge Wash Basin is Uniform Plumbing Code (UPC), International Plumbing Code (IPC) and National Plumbing Code of Canada (NPC) approved through the International Association of Plumbing and Mechanical Officials (IAPMO). Manufactured in compliance with IGC 156, CSA B45 Series (R08) & ASME A112.18.1/CSA B125.1.

This plumbing fixture is designed for hand washing only. It is not Intended to dispense water for human consumption through drinking or for preparation of food or beverages.

Standard product selections contained within this document are third party **CERTIFIED** to NSF/ANSI 372 meeting the Lead-Free content requirement. Any product configured with custom options will be **COMPLIANT** with NSF/ANSI 372 meeting the Lead-Free content requirement.

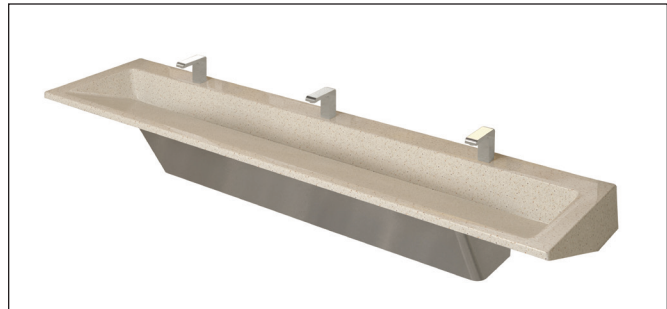
Protected by one or more of the following U.S. Patents: D629-877 S; D640,778 S; and D649,232 S.

Page 1 of 4

4/20/2018

This information is subject to change without notice.

Bradley_Sink_Verge_LVRD3



Models (Must select one)

Model	Description
<input type="checkbox"/> LVRD3	Verge Wash Basin – LVRD-Series, Three-Station

Standard Selections (Must select one from each category)

Faucet Type (select one)

<input type="checkbox"/> IR-DCG	Infrared Faucet Battery	<input type="checkbox"/> 4" SET	4" Centerset Drilling (1-1/4" Drillings Only)
<input type="checkbox"/> IR-DCD	Infrared Faucet Battery	<input type="checkbox"/> SHANK	Centershank Drilling (1-1/4" Drillings Only)
<input type="checkbox"/> CAP-DCA	Capacitive Faucet Battery		

Soap Dispenser Type (select one)

<input type="checkbox"/> 6324-68	32-oz. Plastic Globe, 4" Spout
<input type="checkbox"/> 6315-KT0000	Battery IR Metering Soap Dispenser Kit (with batteries and 1,000-shot soap)
<input type="checkbox"/> 6334	16 oz. Plastic Globe, 3-1/2" Spout
<input type="checkbox"/> SDO	1-1/4" Soap Drilling Only
<input type="checkbox"/> NSD	No Soap Dispenser/No Drilling

Water Supply Type (select one)

<input type="checkbox"/> TMA	Navigator® Thermostatic Mixing Assembly (Hot and Cold Supplies) w/Stops and Supply Hoses
<input type="checkbox"/> NONE	No Valve Option Selected (includes stops and supply hoses)

Color of Evero® Basin (select one)

Geo Series

<input type="checkbox"/> ANDORRA	Andorra	<input type="checkbox"/> EVEREST	Everest	<input type="checkbox"/> MYKONOS	Mykonos
<input type="checkbox"/> ANTARCTICA	Antarctica	<input type="checkbox"/> GLACIER	Glacier Bay	<input type="checkbox"/> PATAGONIA	Patagonia
<input type="checkbox"/> BLACK-SEA	Black Sea	<input type="checkbox"/> KALAHARI	Kalahari	<input type="checkbox"/> SIERRA	Sierra Madre
<input type="checkbox"/> DENALI	Denali	<input type="checkbox"/> MOJAVE	Mojave	<input type="checkbox"/> YUKON	Yukon

Pearl Series (available at an additional charge) (Non-cancelable, non-returnable)

<input type="checkbox"/> AKOYA	Akoya	<input type="checkbox"/> BLACK-MOON	Black Moon
--------------------------------	-------	-------------------------------------	------------

Access Panel Type (select one)

<input type="checkbox"/> STAIN	Stainless Steel
--------------------------------	-----------------

Waste Assembly Type:

<input type="checkbox"/> S-POLY	Single Plastic Polypropylene P-Trap
<input type="checkbox"/> S-CHROME	Single Chrome-Plated P-Trap

Optional Selections

Faucet Adapter Type:

<input type="checkbox"/> PT	Plug-in adapter to convert battery operated CAP-DCA, IR-DCD or IR-DCG
-----------------------------	---

Soap Adapter Type:

<input type="checkbox"/> P19-231F	Plug-in adapter - 6315 soap dispenser (must order as a separate line item)
-----------------------------------	--

For more information on Evero Natural Quartz Surface, faucets, valves, transformers, and the sensor-operated soap dispenser, please visit bradleycorp.com.



© 2018 Bradley

P.O. Box 309, Menomonee Falls, WI 53052-0309

800 BRADLEY (800 272 3539) +1 262 251 6000

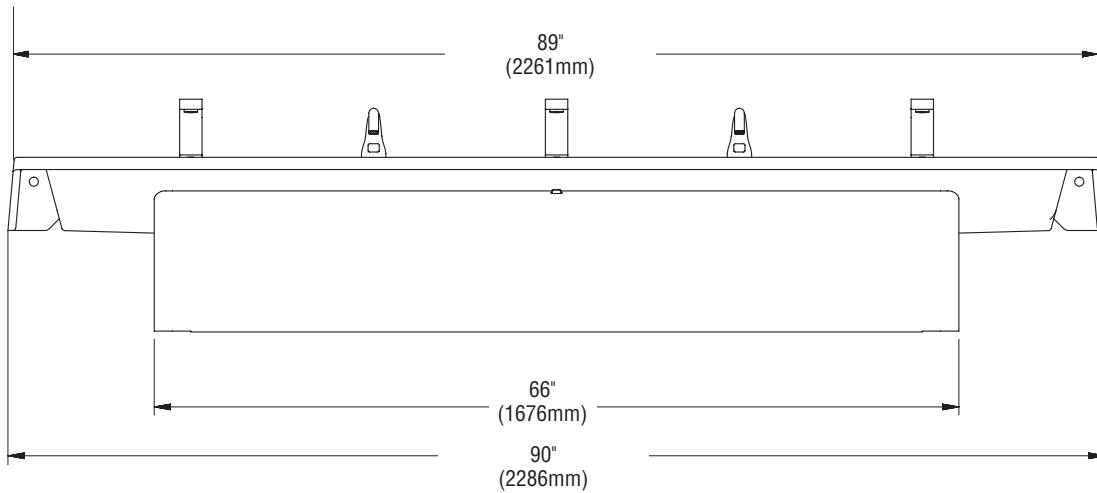
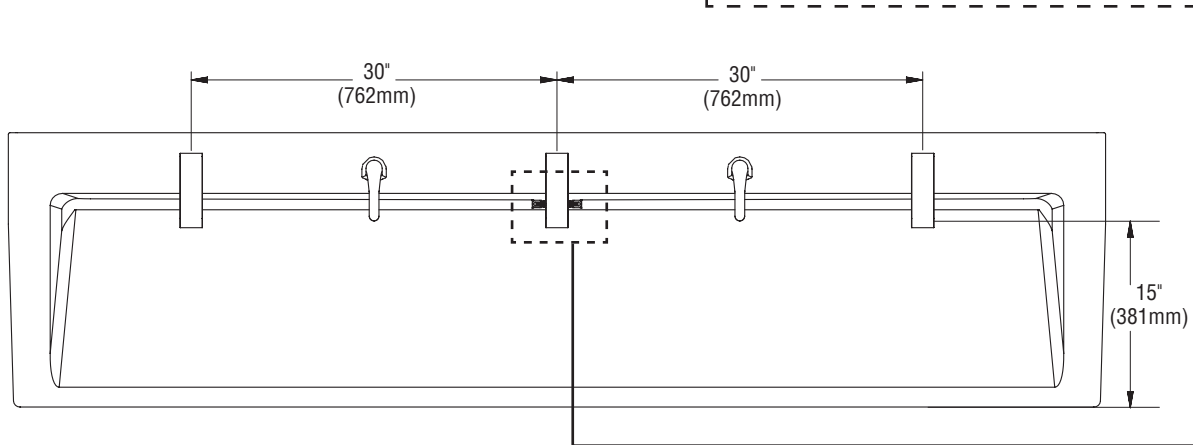
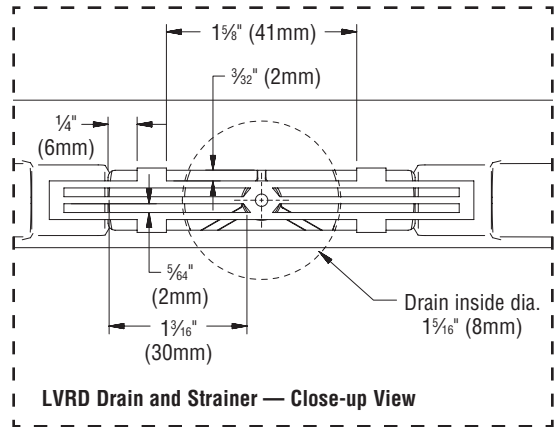
bradleycorp.com

Distributor/Wholesaler:	Date: 2/19/21
Project & Location:	
Model Number:	Qty:



LVRD3 Verge® Wash Basin – LVR-Series

Dimensions for LVRD3 Verge Wash Basin

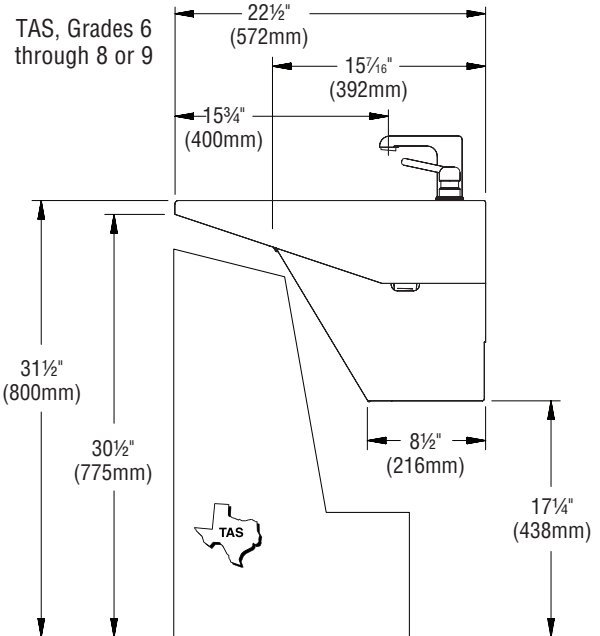
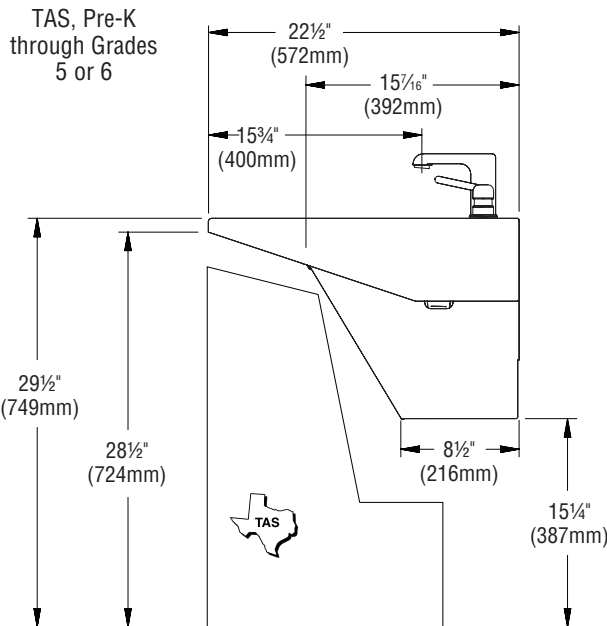
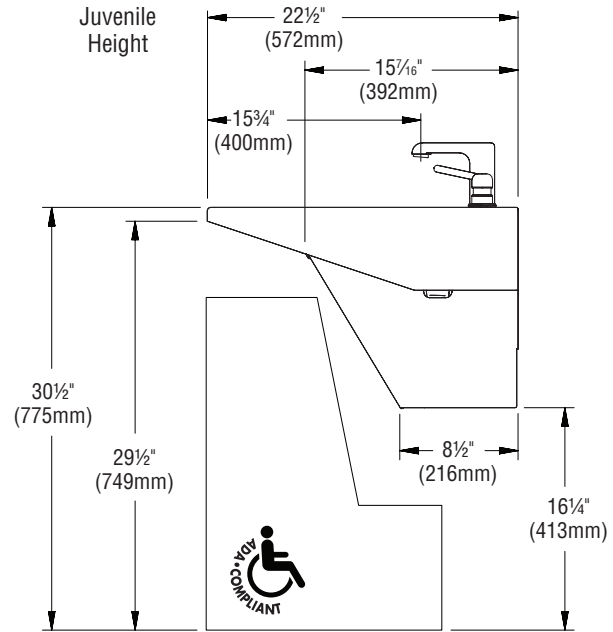
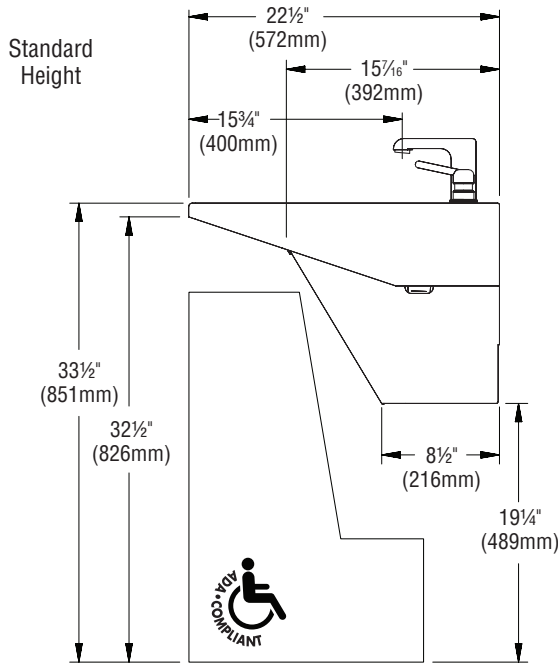


Distributor/Wholesaler:	Date: 2/19/21
Project & Location:	
Model Number:	Qty:



LVRD3 Verge® Wash Basin – LVR-Series

Dimensions for LVRD3 Verge Wash Basin



Distributor/Wholesaler:	Date: 2/19/21
Project & Location:	
Model Number:	Qty:

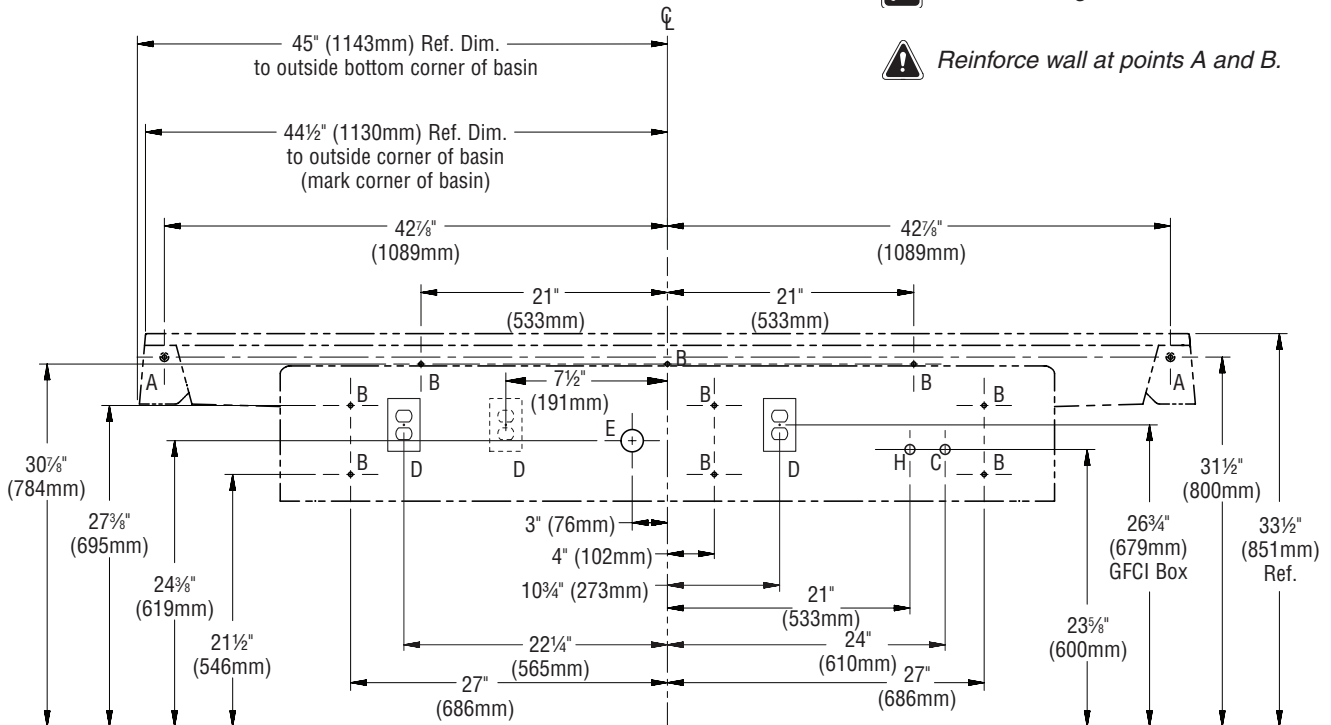


LVRD3 Verge® Wash Basin – LVR-Series

Rough-Ins for LVRD3 Verge Wash Basin

Standard rough-in shown.

Reinforce wall at points A and B.



CODE	DESCRIPTION	QTY.
A	3/8" Lav Deck Bowl Anchors with a Minimum Pull-Out Force of 1,000 lbs. (reinforce walls at anchor points)	2
B	3/8" Lav Deck Frame Anchors with a Minimum Pull-Out Force of 1,000 lbs. (reinforce walls at anchor points)	9
H, C	1/2" Hot/Cold Supplies, Stub-Out 2" From Wall	1
D	110v GFI Protected Electrical Outlet (AC faucet and soap only) <i>Three single outlets are required for CAP-DCA faucets due to the size of the transformers.</i>	3
E	1 1/2" NPT Drain, Stub-Out 2" from Wall	1
RIM HEIGHT	VERTICAL HEIGHT ADJUSTMENTS FOR CODES A-E and H	FIXTURE STYLE
33 1/2"	None	Standard Height
31 1/2"	Subtract 2"	TAS, Grades 6 through 8 or 9
29 1/2"	Subtract 4"	TAS, Pre-K through Grades 5 or 6
30 1/2"	Subtract 3"	Juvenile Height

Distributor/Wholesaler:	Date: 2/19/21
Project & Location:	
Model Number:	Qty: