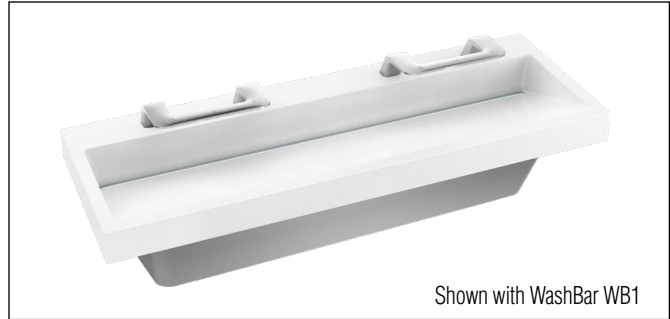




LVQD2 Verge® with WashBar™ Technology – LVQ-Series

Key Features

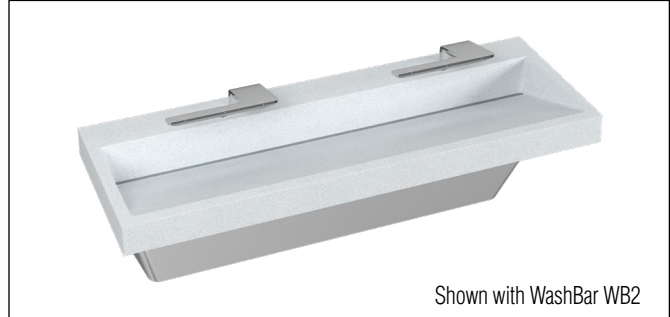
- One piece, chrome-plated WashBar™ includes touch-free soap, water, and hand dryer
- WashBar technology intuitively guides user and eliminates simultaneous activations
- Basin and drain engineered to evacuate water and dissipate air flow
- Single piece molded basin eliminates caulk lines and seams
- WashBar and basin system comes complete with mounting, access panel, drain assembly, and plumbing connections



Shown with WashBar WB1

Specifications

The Verge LVQD2 Wash Basin is 60" in length and is designed to accommodate one to two users at a time with standard lavatory spacing positioned on 30" centers. The single piece All-in-One WashBar allows users to access soap, water, and a hand dryer without leaving the hand washing station. The unit handles washroom traffic quickly and economically, while providing each user with personal space.



Shown with WashBar WB2

Product Compliance

Listed by IAPMO R&T to

- Uniform Plumbing Code (UPC)
- National Plumbing Code of Canada
- International Plumbing Code (IPC)
- IGC 156 and the requirements of CSA B45.5/IAPMO Z124 and ASME A112.18.1/CSA B125.1
- IGC 127 (WashBar)



Listed by UL Environment to

- GreenGuard Gold



Finishes

- Polished Chrome
- Brushed Black Stainless*
- Brushed Stainless*
- Brushed Bronze*
- Brushed Brass*
- Brushed Nickel*

*PVD Finishes (COMING EARLY 2021), see PVD Finishes section on Page 2.

Listed by UL to

- UL499, CAN/CSA C22.2 No 36-08 (Hand Dryer)



Complies with

- ADA
- ICC/ANSI 117.1
- TAS
- NSF/ANSI 372



Serves the American Disabilities Act and ICC/ANSI 117.1 guidelines, citations 306, 308, 309.4, 606.4, 606.5 when installed according to these requirements. Consult local codes and standards.

This plumbing fixture is designed for hand washing only. It is not Intended to dispense water for human consumption through drinking or for preparation of food or beverages.



Construction

Basin

The basin has been designed to direct water to a trench drain and features a 300 series stainless steel drain cap. The basin and drain cap work together to evacuate water and dissipate airflow to prevent splashing on the user or floor. The basin is constructed of Evero Geo Series, a natural quartz surface made from a blend of bio-based resin, natural quartz, granite, and other exotic minerals. It is made of 25% recycled content. Evero Pearl Series is a natural quartz surface made with bio-based resin, sea shells, recycled glass, and natural quartz. It is made of 70% recycled content. Basin is available in all Evero colors.



Variations in the natural stone color, pattern, size, shape, and shade are inherent. Due to these unique characteristics, please expect subtle shade variations when units are installed adjacent to each other.

WashBar™

All-in-One, chrome-plated cast metal WashBar includes touch-free soap, water, and hand dryer. Available in optional in-stock PVD finishes. Load tested to 500 pounds, the WashBar WB1 is secured to the basin with two anti-rotational shanks, and the WashBar WB2 is secured to the basin with one anti-rotational shank. Blue LED lights help guide the user to the WashBar, indicating the three functions. The LED light will change from blue to green to signify that the function is in use. Each function is easily identified by the corresponding icon on the WashBar's top surface.

Sensors are programmed to eliminate simultaneous activations of nearby functions. Each sensor includes a turn-off delay of 1-2 seconds to aid in a smooth, controlled hand-washing and drying operation. WashBar sensors are not affected by varying skin tones or darkness. Smart technology allows the facilities manager or maintenance staff to clean and configure with ease.

Cleaning Mode

WashBar has an activation feature to put the unit into cleaning mode to allow for easy cleaning of the WashBar and basin without activating the functions.

Configuration Mode

The WashBar also has a configuration mode to identify how many cycles are on the soap, faucet, and dryer. Mode also allows for dryer speed adjustment at low, medium, and high levels.

Soap Dispensers

The soap dispenser is located on the left side of the WashBar. This eliminates any soap from dripping on counters or onto the floor, minimizing slip hazards and allows for easy cleaning. Choose between a foam or liquid soap dispenser, which are compatible with most bulk soaps. Soap system accommodates up to a 1 gallon container to reduce the number of soap replacements. When the LED light above the soap function turns to solid red, simply check the level and replace the soap container with a full container if necessary. The soap system includes an adapter to fit many 1 gallon soap containers available on the market.

Please visit <https://www.bradleycorp.com/maintenance/soap-dispensers> for soap recommendations.

Faucet

Faucet is located in the center of the WashBar and has a spray angle of approximately 17 degrees off the vertical. Choose either a 0.5 gpm (1.9 Lpm) or 0.35 gpm (1.30 Lpm) PCA silicone tip, non-aerated spray pattern. Maximum run time is 11 seconds. The 0.50 gpm (1.90 Lpm) flow control option is the equivalent to 0.09 gpc and the 0.35 gpm (1.30 Lpm) low control option is the equivalent to 0.18 gpc. Automatic 5 second purge within 24 hours of the last use. Recommended operating range is 20-80 psi.

Dryer

The hand dryer is located on the right side of the WashBar, allowing users to dry their hands immediately after washing. This virtually eliminates excess water on the floor. The dryer motor provides heated air at three speeds, high-medium-low, which can be field adjusted by placing the WashBar in configuration mode. The single sided dryer will dry hands in approximately 15 seconds depending on user preference. The decibel range with hands in air stream is 76 dB (high speed) to 64 dB (low speed).

Electrical

Total rated power of each WashBar station is 1200W. Each WashBar is powered by one 12VDC power supply that plugs directly into its dryer or the electrical outlet. A properly grounded, dedicated 120VAC, 15A GFCI minimum outlet must be provided and must be located no more than 4 feet from the installation of the dryer assembly. One duplex outlet is required per station to power the WashBar and dryer.

Access Panel

Minimalistic panel is composed of decorative 300 series stainless steel or black, powder-coated stainless steel. Plumbing components, dryer motor, and soap tank are concealed within the panel. Select the enclosed bottom access panel for vandal-prone applications. The new swing down access panel is designed to ease the maintenance process by eliminating tools and only requires one person for installation. Top edge of the access panel has been hemmed to reduce sharpness.

Support Bracket

Bracket design allows for flexible stud or wall blocking anchor locations. Eliminates the need for in-wall carriers and frame. System is IAPMO certified to meet or exceed ANSI load requirements.

Strainer and Drain Assembly System

Strainer and drain assembly system comes complete with 300 series stainless steel trench drain cap, tailpiece, and polypropylene P-trap. Optional chrome plated P-trap available. Select the slotted drain cap with vandal-resistant screws for vandal-prone applications. The multi-station system is configured with one drain and one set of supplies to reduce the cost associated with individual drains and supplies.

* PVD Finishes

Physical Vapor Deposition is an intricate, environmentally friendly finishing process that molecularly bonds the finish to the faucet, creating a very hard, durable surface that will not corrode, discolor, or tarnish.



LVQD2

Verge® with WashBar™ Technology – LVQ-Series

Models (Must select one)	
Model	Description
LVQD2	Verge with WashBar Technology – LVQ-Series, Two-Station
Standard Selections (Must select one from each category)	
Country of Installation	
C1	United States or Canada
WashBar Type (select one)	
WB1	WashBar WB1 w/Touch-Free Time of Flight Sensor Activation
WB2	WashBar WB2 w/Touch-Free Time of Flight Sensor Activation
WB1-DO	WashBar WB1 Drilling Only
WB2-DO	WashBar WB2 Drilling Only
Water Supply Type (select one)	
T	Navigator® Thermostatic Mixing Assembly (Supply Hoses and Shut-Offs included)
L	Single Tempered Line Assembly (Supply Hoses and Shut-Offs included)
Flow Control Type (select one)	
3	0.35 gpm (1.30 Lpm) PCA Silicone Tip, Multiple Individual Laminar Flow Streams
5	0.50 gpm (1.90 Lpm) PCA Silicone Tip, Multiple Individual Laminar Flow Streams
NONE	No Flow Control*
WashBar Finish Type (select one)	
PC	Polished Chrome
BB	Brushed Black Stainless COMING EARLY 2021
BS	Brushed Stainless COMING EARLY 2021
BZ	Brushed Bronze COMING EARLY 2021
BR	Brushed Brass COMING EARLY 2021
BN	Brushed Nickel COMING EARLY 2021
NONE	No WashBar Finish*
Soap Type (select one)	
F	Foam Soap Dispenser - 1 gallon soap container by others
L	Liquid Soap Dispenser - 1 gallon soap container by others
NONE	No Soap Type*
Hand Dryer Type (select one)	
HD1	DC Motor 120V/60Hz, 20A
NONE	No Hand Dryer*
Trench Drain Cap Type (select one)	
DR1	Stainless Steel Trench Drain Cap**
DR2	Slotted Stainless Steel Trench Drain Cap w/Vandal Screws**

Color of Evero® Basin (select one)	
<i>Geo Series</i>	
ANDORRA Andorra	GLACIER Glacier Bay
ANTARCTICA Antarctica	KALAHARI Kalahari
ARUBA Aruba	MOJAVE Mojave
BLACK-SEA Black Sea	MYKONOS Mykonos
DENALI Denali	PATAGONIA Patagonia
RAINIER Rainier	SIENA Siena
SIERRA Sierra Madre	YUKON Yukon
<i>Pearl Series (available at an additional charge) (Non-cancelable, non-returnable)</i>	
AKOYA Akoya	BLACK-MOON Black Moon
Access Panel Type (select one)	
STAIN	Swing Down Stainless Steel
STAIN-E	Swing Down Stainless Steel w/Enclosed Bottom
PWB	Swing Down Matte Black Powder-Coated Stainless Steel
PWB-E	Swing Down Matte Black Powder-Coated Stainless Steel w/Enclosed Bottom
Access Panel Fastener Type (select one)	
TS	Thumb Screw
VS	Vandal-Resistant Screw
CL	Cam Lock
Waste Assembly Type (select one)	
S-POLY	Single Polypropylene P-Trap
S-CHROME	Single Chrome Plated P-Trap

* Available only with WB1-DO or WB2-DO

** Available in stainless steel finish only.

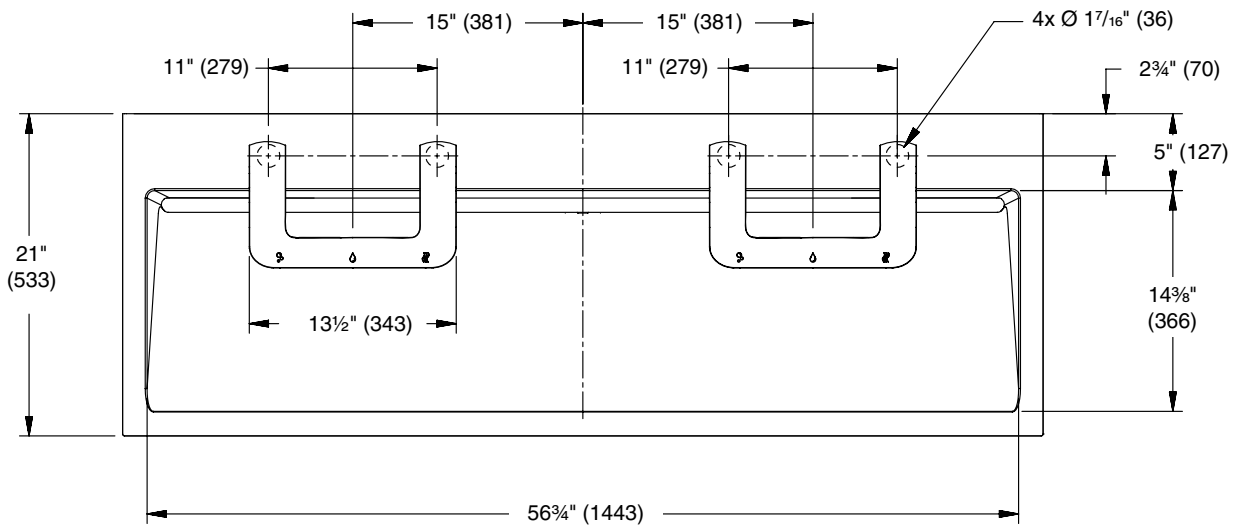


LVQD2 Verge® with WashBar™ Technology – LVQ-Series

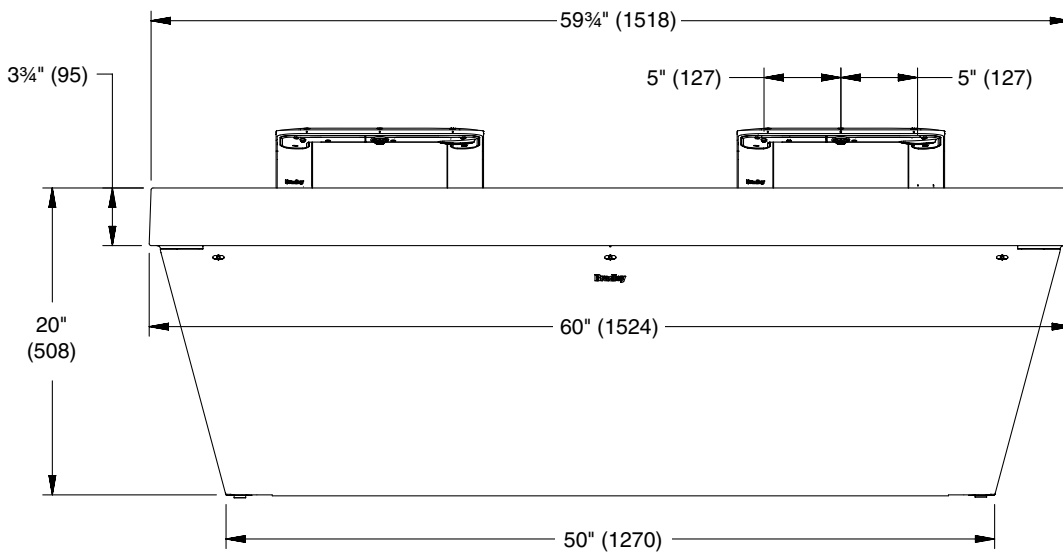
Dimensions for LVQD2 Wash Basin – WB1

(mm)

Top View



Front View





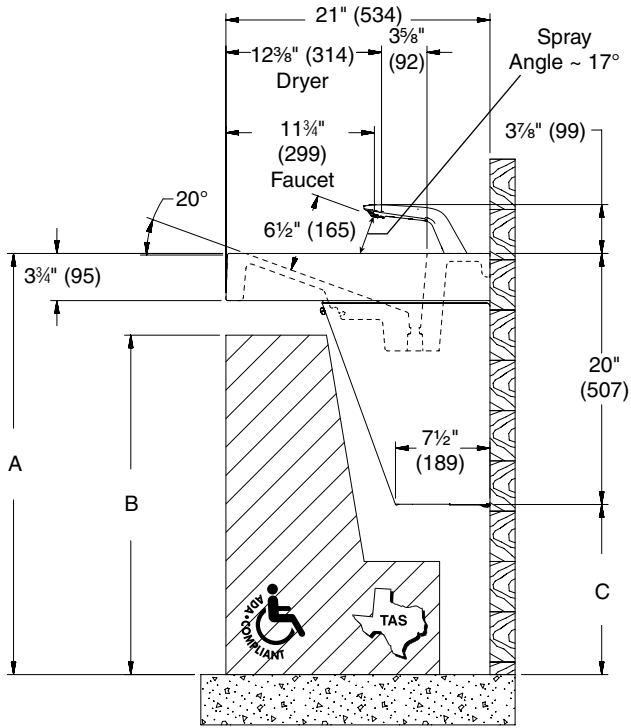
LVQD2

Verge® with WashBar™ Technology – LVQ-Series

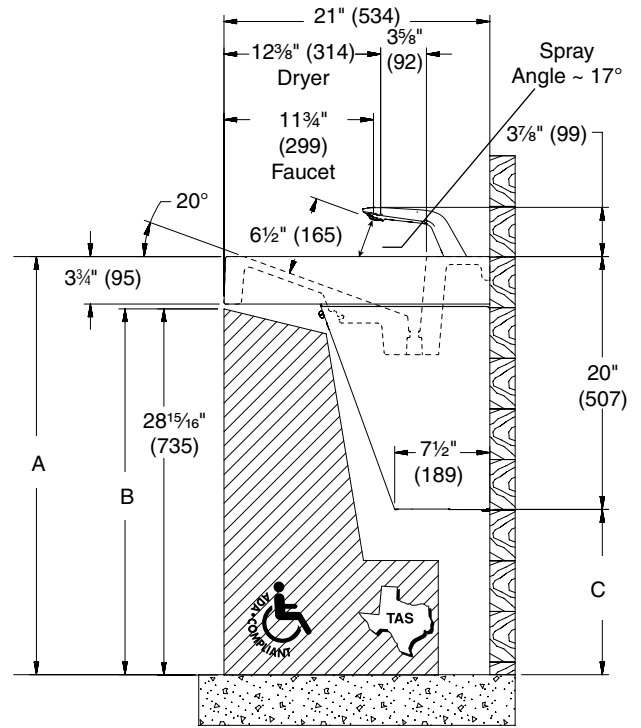
Dimensions for LVQD1 Wash Basin – WB1

(mm)

Side View



Side View - Canadian Standards



	ADA/TAS Standard Height	ADA/TAS Juvenile Height (Children 6-12 years)
Dim A	33 1/2" (851)	30 1/2" (775)
Dim B	27" (686)	24" (610)
Dim C	13 1/2" (343)	10 1/2" (267)

	CSA Standard Height
Dim A	33 1/2" (851)
Dim B	29 29/32" (760)
Dim C	13 1/2" (536)

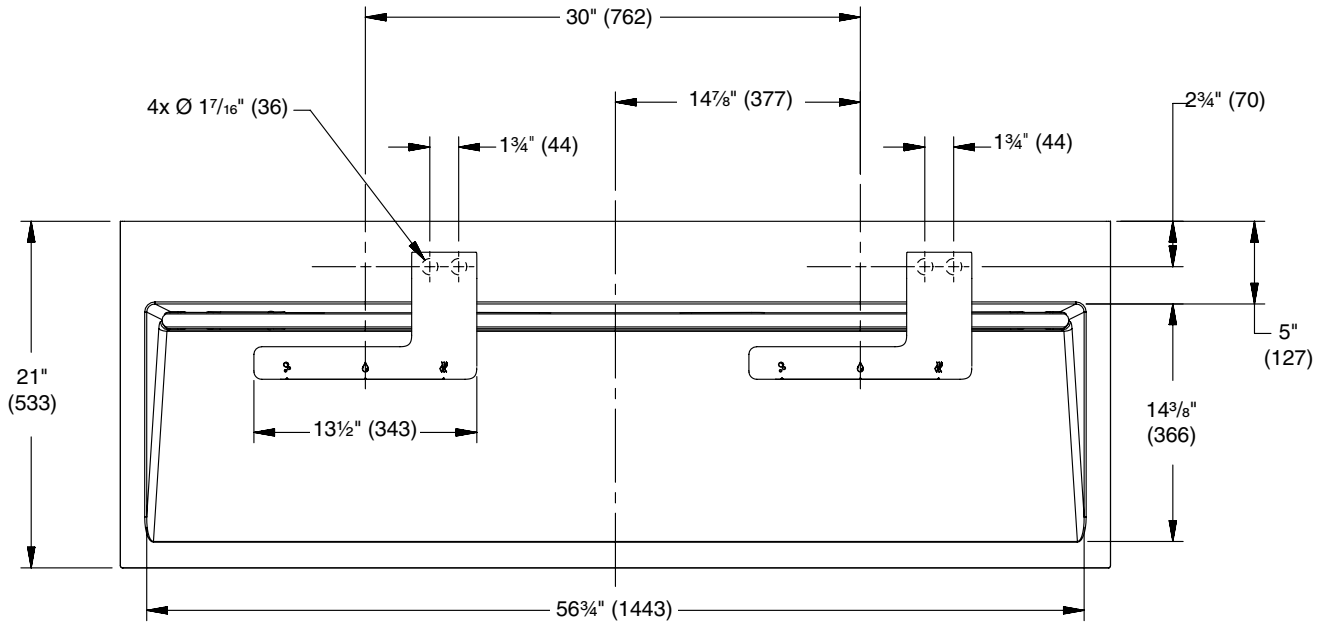


LVQD2 Verge® with WashBar™ Technology – LVQ-Series

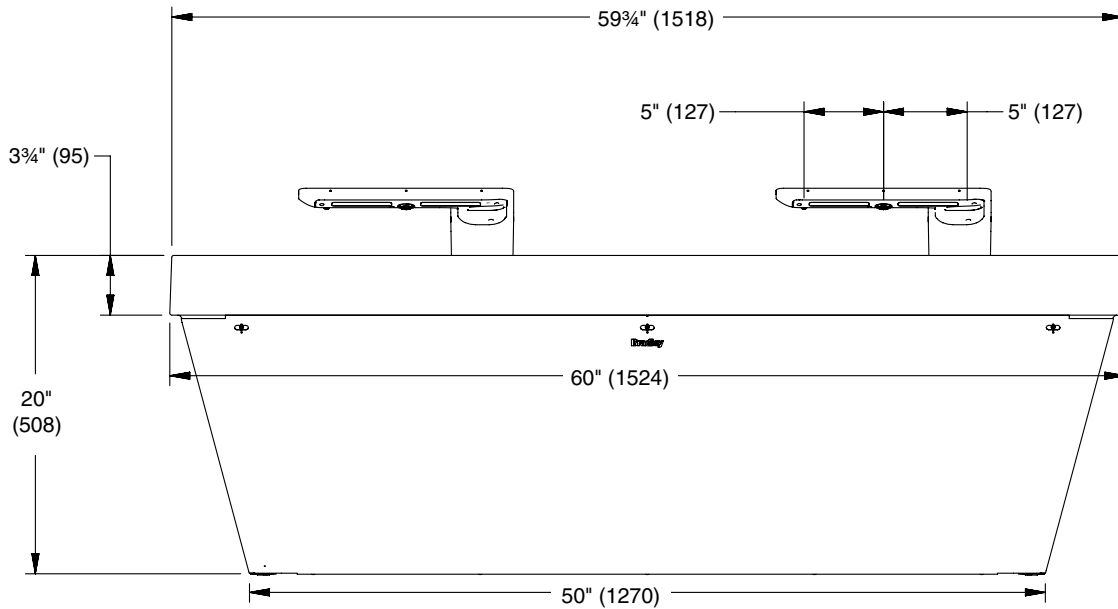
Dimensions for LVQD1 Wash Basin – WB2

(mm)

Top View



Front View





LVQD2

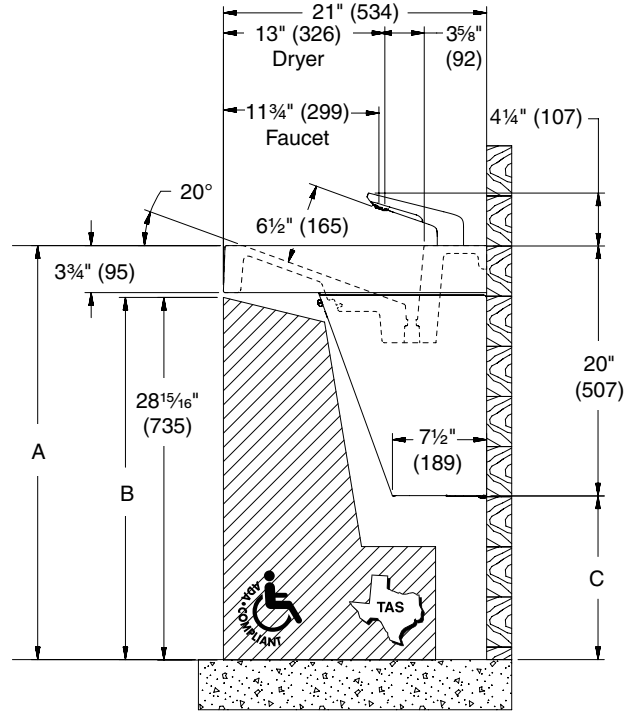
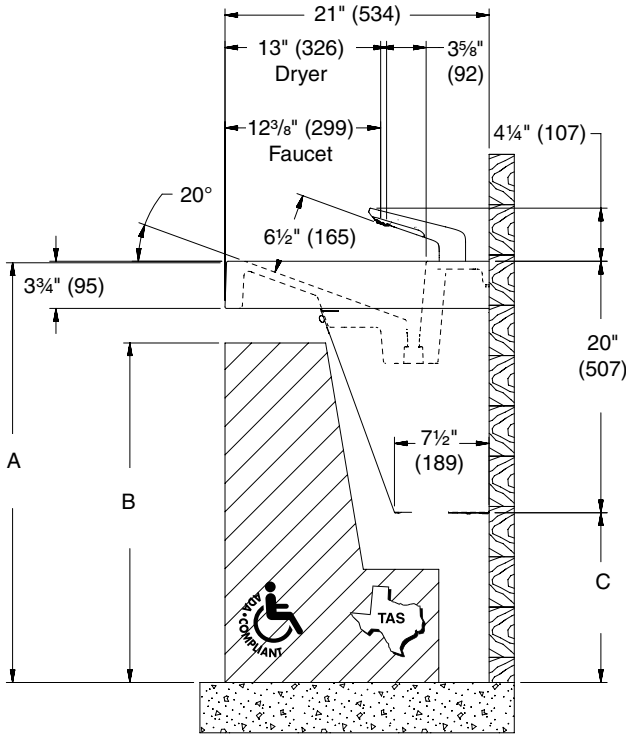
Verge® with WashBar™ Technology – LVQ-Series

Dimensions for LVQD1 Wash Basin – WB2

(mm)

Side View

Side View - Canadian Standards



	ADA/TAS Standard Height	ADA/TAS Juvenile Height (Children 6-12 years)
Dim A	33 ² / ₅ " (848)	30 ¹ / ₂ " (775)
Dim B	27" (686)	24" (610)
Dim C	13 ¹ / ₂ " (343)	10 ¹ / ₂ " (267)

	CSA Standard Height
Dim A	33 ¹ / ₂ " (851)
Dim B	29 ²⁹ / ₃₂ " (760)
Dim C	13 ¹ / ₂ " (536)



LVQD2

Verge® with WashBar™ Technology – LVQ-Series

Structural Rough-Ins for LVQD2 Wash Basin

(mm)

⚠ WARNING Ensure bowl is completely seated in the wall bracket and securely fastened to the wall at point A.

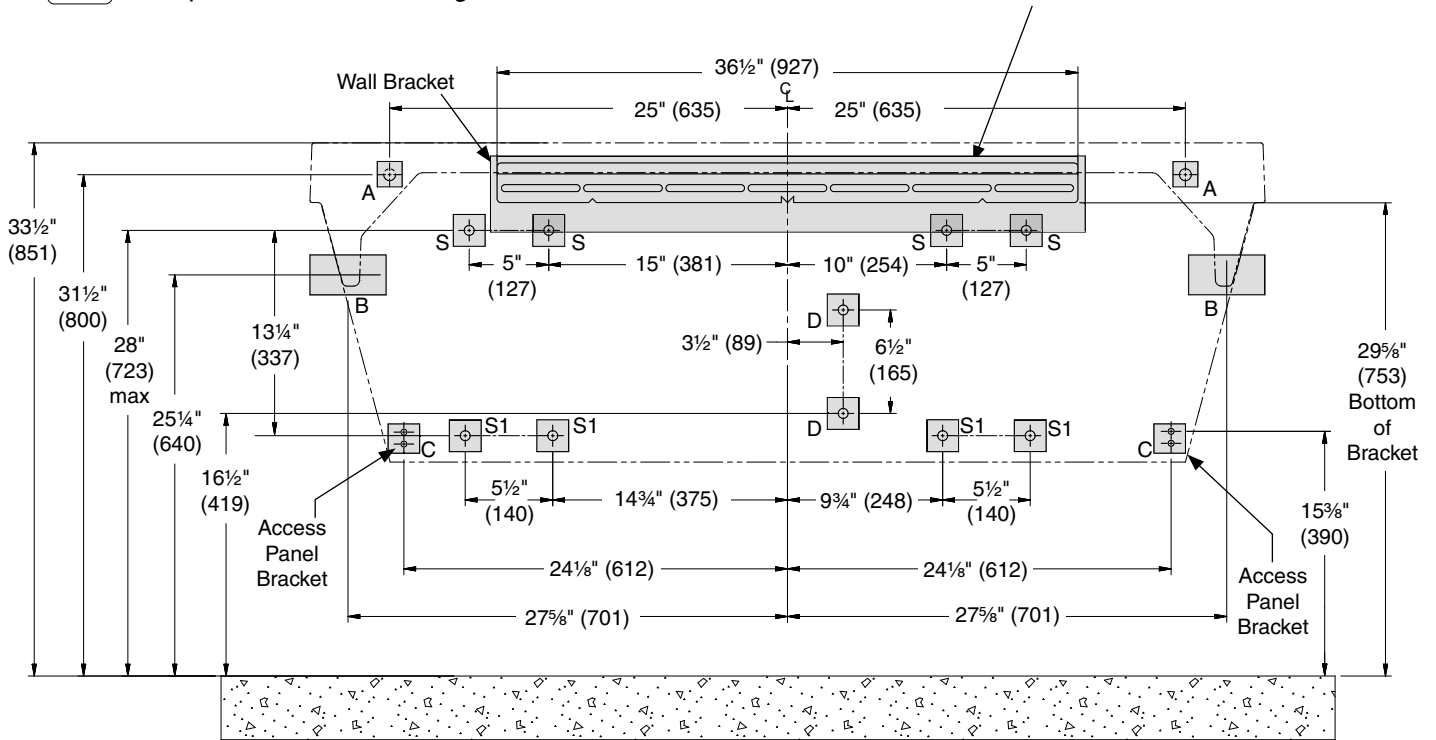


Mounting for Standard, ADA, and TAS height shown.



Points A, B, and C require sufficient backing compliant with local building codes.

Secure bracket to wall using min. (2) 3/8" anchor bolts to the left of C/L and min. (2) 3/8" anchor bolts to the right of C/L. The (2) anchor bolts to the right of C/L must be min. 16" apart from the anchor bolts to the left of C/L. When mounting is complete, check to ensure the bracket is level. See Step 1: Bracket Mounting for more information.



CODE	DESCRIPTION	QTY.
A	Install (1) 3/8" wall anchor with a minimum pull-out force of 1,000 lb per local codes at locations shown.	2
B	Provide structural backing compliant with local building codes.	2
C	Install wall anchor with a minimum pull-out force of 100 lb per local codes at locations shown.	4
D	#10 Wall Anchors for Valve Bracket	2
S	#10 Wall Anchors for Soap Control Box Bracket	4
S1	#10 Wall Anchors for Soap Tank Bracket (100 lb pull out force)	4

RIM HEIGHT	VERTICAL HEIGHT ADJUSTMENTS	FIXTURE STYLE
33 1/2"	No Adjustment	Standard Height, ADA, TAS, and CSA
30 1/2"	Subtract 3"	Juvenile, ADA, and TAS



LVQD2

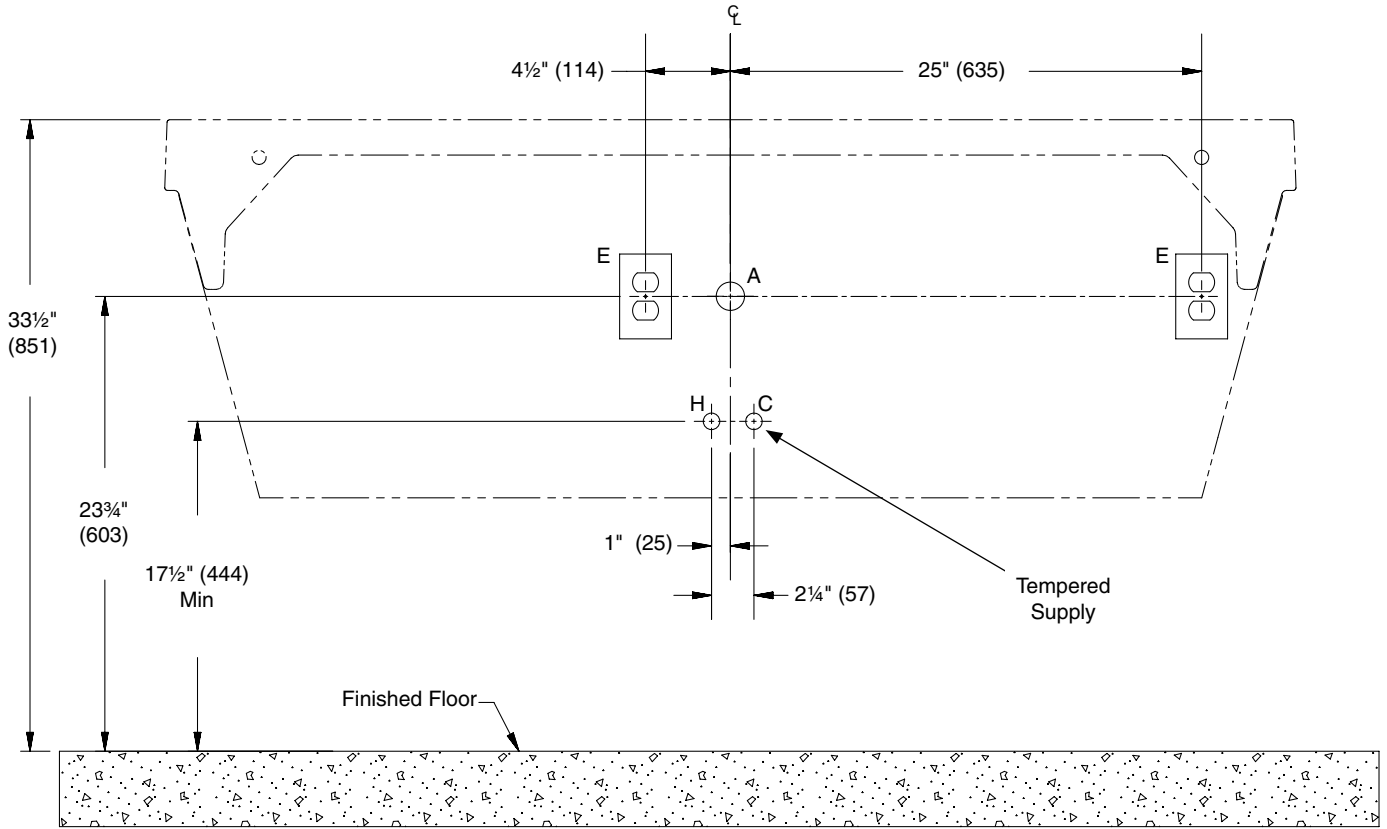
Verge® with WashBar™ Technology – LVQ-Series

Plumbing and Electrical Rough-Ins for LVQD2 Wash Basin

(mm)



Mounting for Standard, ADA, and TAS height shown.



CODE	DESCRIPTION	QTY.
A	1½" NPT Drain, Stub-out 2" from wall	1
H,C	½" Nominal (5/8" O.D. Comp.) Hot/Cold supplies, Stub-out 2" from wall	1
E	Dedicated 120VAC, 15A GFCI minimum outlet must be provided, which is properly grounded and no more than 4 ft from the installation of the dryer assembly*	2

*If no GFCI outlet is provided, contact a licensed electrician to ensure proper electrical connections in accordance with local building codes. Troubleshooting and internal maintenance must be performed by qualified service personnel.