



LVGD2 Verge® Wash Basin – LVG-Series

- ADA and TAS compliant
- Serves one or two users at a time
- Standard lavatory spacing on 30" centers
- Elongated basin is constructed of Evero® natural quartz surface
- Available in a variety of colors
- Available with Verge™ deck-mounted soap dispensers and faucets

Specifications

Accommodates one or two users. The units handle washroom traffic quickly and economically, while providing each user with personal space. The Verge Wash Basin is designed with standard lavatory spacing positioned on 30" centers.

Construction

Basin

Evero Geo Series is a natural quartz surface made from a blend of bio-based resin, natural quartz, granite, and other exotic minerals. It is made of 25% recycled content. Evero Pearl Series is a natural quartz surface made with bio-based resin, sea shells, recycled glass, and natural quartz. It is made of 70% recycled content.



Variations in the natural stone color, pattern, size, shape, and shade are inherent. Due to these unique characteristics, please expect subtle shade variations when units are installed adjacent to each other.

Access Panel

Panel is composed of decorative 300 series stainless steel.

Support Frame

Basin assembly and access panel are secured to a heavy gauge stainless steel support frame mounted to wall.

Vandal Resistance

Water supplies, valves, waste assembly, and other optional items are concealed within the panel/frame.

Faucet Options

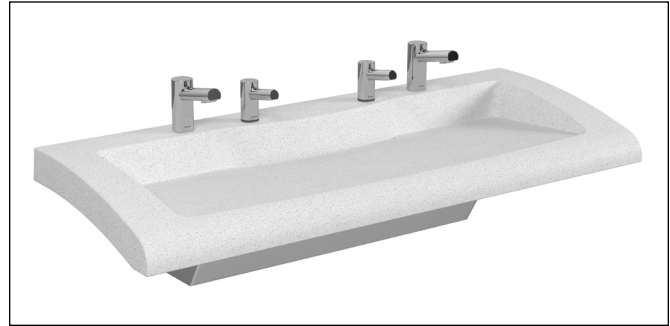
Choose from our 0.35 gpm (1.30 Lpm) or 0.50 gpm (1.90 Lpm) Verge Faucet – Crestt, Metro, Linea, and Zen Series. 4" Centerset and Centershank faucet hole drillings are available for faucets by others.

Soap Dispensers

Choose from our Verge Deck-Mounted Soap Dispensers – Crestt, Metro, Linea, or Zen Series. Soap drillings available for soap by others.

Accessibility

Accessibility Code	Rim Height (maximum)	Notes
ADA	33½" (851)	At least one basin must meet dimensional requirements and have proper reach, knee, and toe clearance.
ADA/JUV Juvenile ADA	30½" (775)	At least one basin must meet dimensional requirements and have proper reach, knee, and toe clearance.



Product Compliance

Listed by IAPMO R&T to

- Uniform Plumbing Code (UPC)
- National Plumbing Code of Canada
- International Plumbing Code (IPC)
- IGC 156 and the requirements of CSA B45.5/IAPMO Z124 and ASME A112.18.1/CSA B125.1



Listed by UL Environment to

- GreenGuard Gold



Complies with

- ADA
- ICC/ANSI 117.1
- TAS
- NSF/ANSI 372



Serves the American Disabilities Act and ICC/ANSI 117.1 guidelines, citations 306, 308, 309.4, 606.4, 606.5 when installed according to these requirements. Consult local codes and standards.



This plumbing fixture is designed for hand washing only. It is not intended to dispense water for human consumption through drinking or for preparation of food or beverages.

For more information on Evero Natural Quartz Surface, faucets, valves, transformers, and the soap dispensers, please visit bradleycorp.com.

Protected by one or more of the following U.S. Patents: D625,792 S; D633,992 S; and D642,664 S.



LVGD2

Verge® Wash Basin – LVG-Series

Models (Must select one)	
Model	Description
LVGD2	Verge Wash Basin – LVGD-Series, Two-Station
Standard Selections (Must select one from each category)	
Faucet Type (select one)	
S53-3100	Verge Faucet – Crestt Series
S53-3300	Verge Faucet – Metro Series
S53-3500	Verge Faucet – Linea Series
S53-3700	Verge Faucet – Zen Series
4" Set	4" Centerset (1¼" Drilling Only)
SHANK	Centershank (1¼" Drilling Only)
Faucet Activation Type (select one)	
R	Touch-Free Activation △
NONE	No Activation ▲
Water Supply Type (select one)	
T	Thermostatic Mixing Assembly (supply hoses and shut-offs included)
L	Single Tempered Line Assembly (supply hoses and shut-offs included)
Flow Control Type △ (select one)	
3	0.35 gpm (1.30 Lpm) Silicone Tip, Multiple Individual Laminar Flow Streams
5	0.50 gpm (1.90 Lpm) Silicone Tip, Multiple Individual Laminar Flow Streams
Faucet Finish Type △ (select one)	
PC	Polished Chrome
BB	Brushed Black Stainless
BS	Brushed Stainless
BZ	Brushed Bronze
BR	Brushed Brass
BN	Brushed Nickel
<i>Grid strainer will always have a stainless steel finish.</i>	
Faucet Power Supply (select one)	
AC	AC Power △**
BA	Battery △ – 4x AA alkaline batteries included per faucet
NONE	No Power Supply ▲
Soap Dispenser Type (select one)	
6-3100	Verge Deck-Mounted Soap Dispenser – Crestt Series △
6-3300	Verge Deck-Mounted Soap Dispenser – Metro Series △
6-3500	Verge Deck-Mounted Soap Dispenser – Linea Series △
6-3700	Verge Deck-Mounted Soap Dispenser – Zen Series △
SDO	1-3/8" Soap Drilling Only
NSD	No Soap Dispenser/No Drilling
Soap Activation Type (select one)	
R	Touch-Free Activation ◇
NONE	No Activation ◆

Soap Type ◇ (select one)					
F	Foam Soap				
L	Liquid Soap				
Soap Fill System ◇ (select one)					
T	Single (top fill at spout)				
Soap Dispenser Finish Type ◇ (select one)					
PC	Polished Chrome				
BB	Brushed Black Stainless				
BS	Brushed Stainless				
BZ	Brushed Bronze				
BR	Brushed Brass				
BN	Brushed Nickel				
Soap Power Supply (select one)					
AC	AC Power ◇**				
BA	Battery ◇ – 4x D-cell batteries included per dispenser				
NONE	No Power Supply ◆				
Color of Evero® Bowl (select one)					
<i>Geo Series</i>					
ANDORRA	Andorra	GLACIER	Glacier Bay	RAINIER	Rainier
ANTARCTICA	Antarctica	KALAHARI	Kalahari	SIENA	Siena
ARUBA	Aruba	MOJAVE	Mojave	SIERRA	Sierra Madre
BLACK-SEA	Black Sea	MYKONOS	Mykonos	YUKON	Yukon
DENALI	Denali	PATAGONIA	Patagonia		
<i>Pearl Series (available at an additional charge) (Non-cancelable, non-returnable)</i>					
AKOYA	Akoya	BLACK-MOON	Black Moon		
Access Panel Type (select one)					
STAIN	Stainless Steel				
Waste Assembly Type (select one)					
S-POLY	Single Polypropylene P-Trap				
S-CHROME	Single Chrome-Plated P-Trap				

- ** AC power supply will include either individual AC plug-in adapter or 4-way AC splitter assembly depending on configuration.
- △ Available with faucet selection only.
- ▲ Available with faucet drilling only.
- ◇ Available with soap dispenser selection only.
- ◆ Available with soap dispenser drilling only.

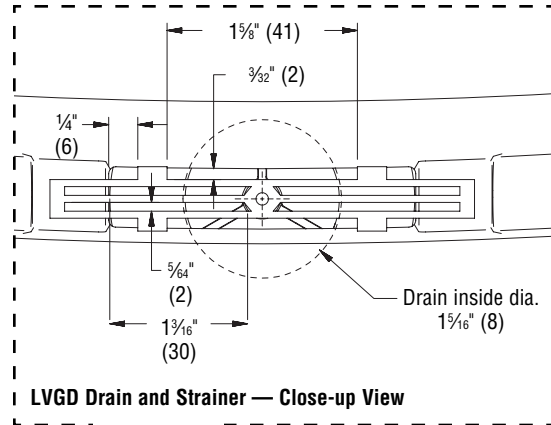


LVGD2 Verge® Wash Basin – LVG-Series

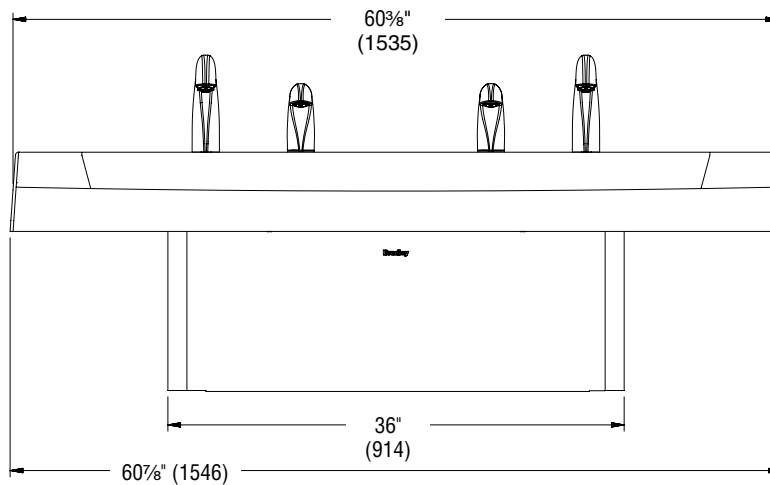
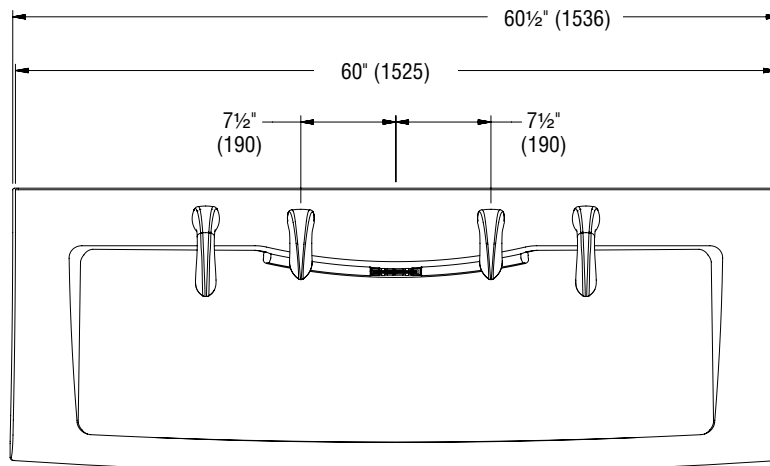
Dimensions for LVGD2 Verge Wash Basin

(mm)

Top View



Front View

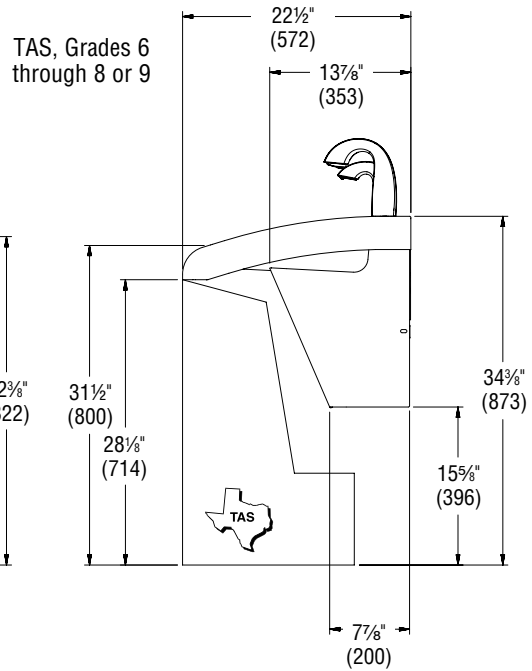
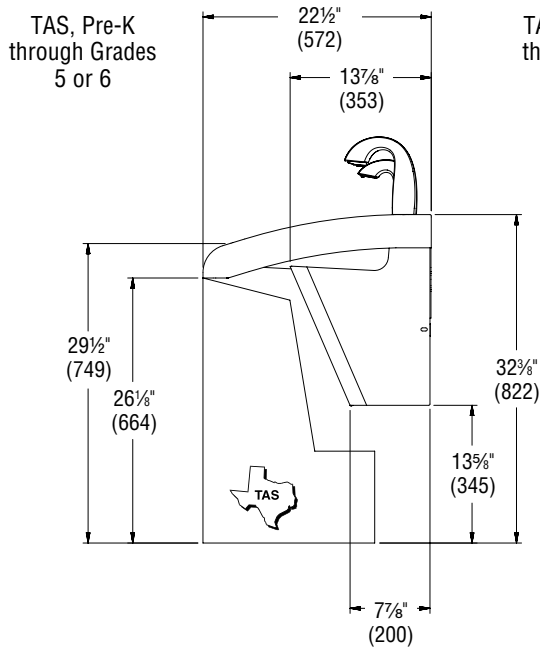
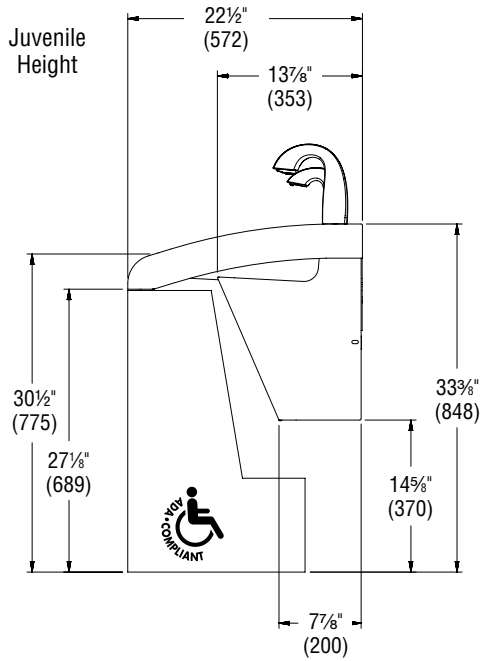
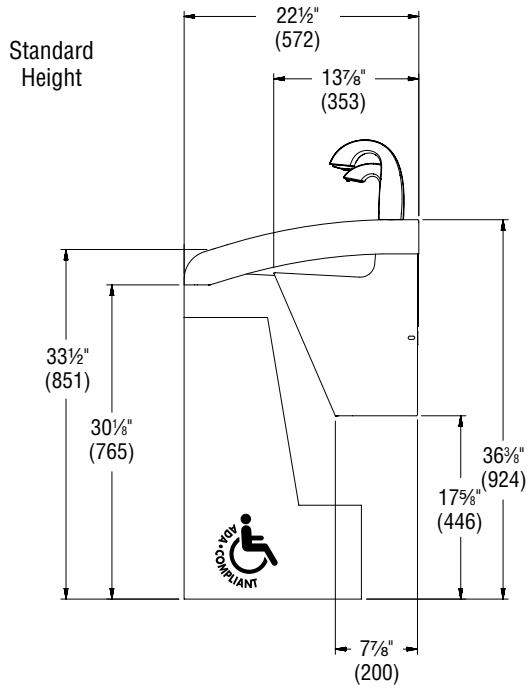




LVGD2 Verge® Wash Basin – LVG-Series

Dimensions for LVGD2 Verge Wash Basin

(mm)



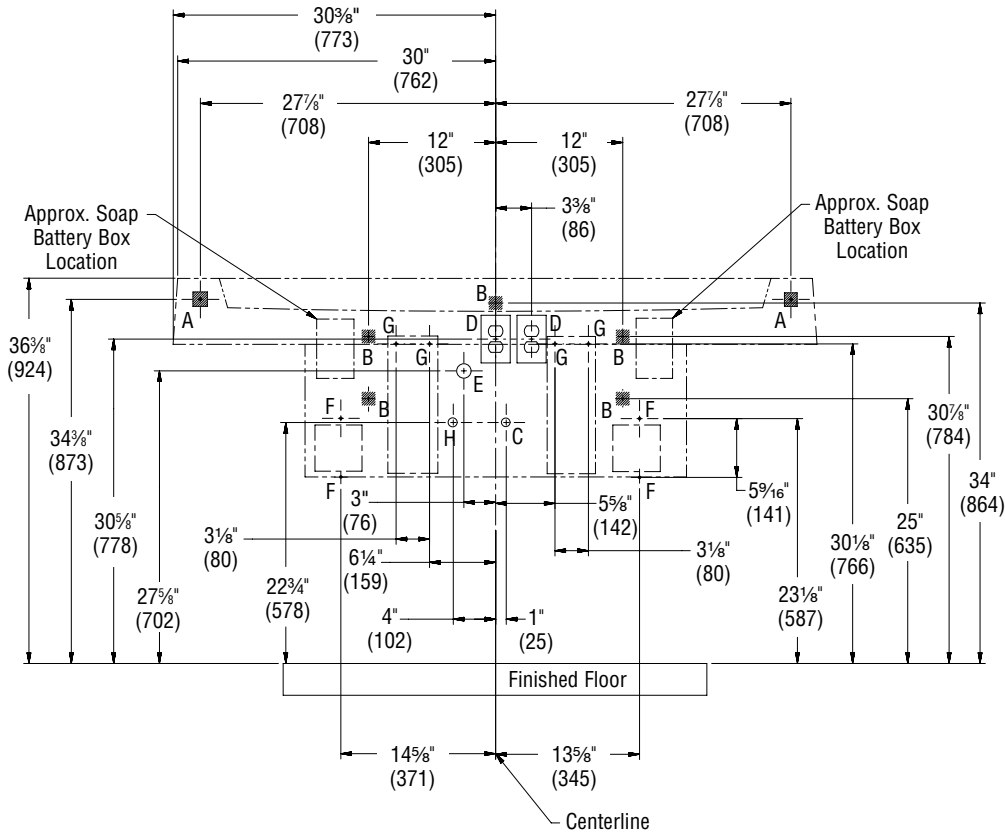


LVGD2 Verge® Wash Basin – LVG-Series

Rough-Ins for LVGD2 Verge Wash Basin

Standard rough-in shown.

Reinforce wall at points A and B.



CODE	DESCRIPTION	QTY.
A	3/8" Lav Deck Bowl Anchors with a Minimum Pull-Out Force of 1,000 lb (reinforce walls at anchor points)	2
B	3/8" Lav Deck Frame Anchors with a Minimum Pull-Out Force of 1,000 lb (reinforce walls at anchor points)	5
H, C	1/2" Hot/Cold Supplies, Stub-Out 2" From Wall	1
D	110v GFI Protected Electrical Outlet (AC faucet and soap only)	2
E	1 1/2" NPT Drain, Stub-Out 2" from Wall	1
F	#10 Anchors for Faucet Control Box Installation	4
G	#10 Anchors for Soap Tank Installation	4

RIM HEIGHT	VERTICAL HEIGHT ADJUSTMENTS FOR CODES A-E and H	FIXTURE STYLE
33 1/2"	None	Standard Height
31 1/2"	Subtract 2"	TAS, Grades 6 through 8 or 9
29 1/2"	Subtract 4"	TAS, Pre-K through Grades 5 or 6
30 1/2"	Subtract 3"	Juvenile Height