



EXD-2N, EXD-3N Express® Deck Lavatory System – EXD-Series

- ADA and TAS Compliant
- Serves One to Three Users at a Time
- Standard Lavatory Spacing on 30" Centers
- Continuous Bowl is Constructed of Terreon® or Terreon®RE Solid Surface Material
- Select a Bradley Faucet or faucet by others
- Available in a variety of colors

Specifications

Accommodates one to three users. Units handle washroom traffic quickly and economically, while providing each user with personal space. The Express® Deck System is designed with standard lavatory spacing positioned on 30" centers.

Construction

Bowl

Constructed of Terreon, a densified solid surface material composed of polyester resin, or TerreonRE, a densified solid surface material composed of a bio-based resin and preconsumer recycled granules. Terreon and TerreonRE are resistant to chemicals, stains, burns and impact. Surface damage can be easily repaired with everyday cleansers or fine grit abrasives. Terreon and TerreonRE are certified by Home Innovation Lab to meet CSA B45.5/IAPMO Z124. Terreon and TerreonRE are GREENGUARD® certified as low-emitting materials.

Access Panel

Panel is composed of high impact polymer. Highly resistant to impact, abrasion and corrosion. The panel will not chip, peel or flake.

Support Frame

Bowl assembly and access panel are secured to a heavy gauge stainless steel support frame mounted to wall.

Vandal Resistance

Water supplies, valving, waste assembly and other optional items are concealed within the pedestal/frame.

Code Compliance and Certifications

ANSI Standards

Terreon and TerreonRE are Home Innovation Lab certified to meet CSA/B45.5/IAPMO Z124.

cUPC Approval

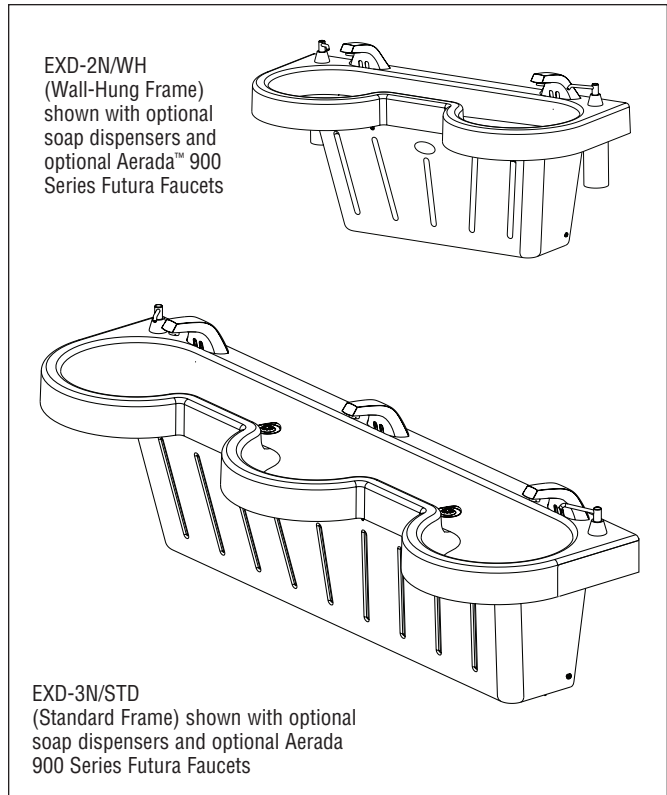
Express Lavatory Systems are Uniform Plumbing Code (UPC), International Plumbing Code (IPC) and National Plumbing Code of Canada (NPC) approved through the International Association of Plumbing and Mechanical Officials (IAPMO). Manufactured in compliance with IGC 156, CSA B45 Series (R08) & ASME A112.18.1/CSA B125.1.

This plumbing fixture is designed for hand washing only. It is not Intended to dispense water for human consumption through drinking or for preparation of food or beverages.

Standard product selections contained within this document are third party **CERTIFIED** to NSF/ANSI 372 meeting the Lead-Free content requirement. Any product configured with custom options will be **COMPLIANT** with NSF/ANSI 372 meeting the Lead-Free content requirement.

Verify all rough-in dimensions prior to installation.
Consult local and national codes. Conformity and compliance to local and national codes is the responsibility of the installer.

Page 1 of 6 3/2/2017
This information is subject to change without notice.
Bradley_Sink_Express_EXD-2N_3N



Standard Frame

The standard frame on the Express® EXD-Series includes a scuff base and is designed to comply with all ADA guidelines on reaches, clearances and operation for adult users.

Wall-Hung Frame

The wall-hung frame on the Express® EXD-Series (less scuff base above) is designed to mount at different heights (adult and children) to comply with guidelines on reaches, clearances and operation for various codes including, ADA Accessibility Guidelines for Buildings and Facilities (ADAAG) and TAS (Texas Accessibility Standards). Always check your local and state codes.

Standard Equipment

Bowl with two or three lavatories, pedestal, stainless steel mounting frame (as described above), and the following fittings: P-trap; tailpiece.



For more information on faucets, valves, transformers, cabinets, and the sensor-operated soap dispenser, please visit bradleycorp.com.

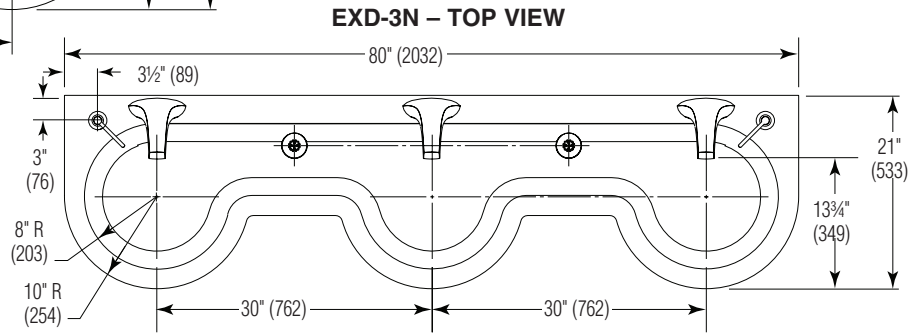
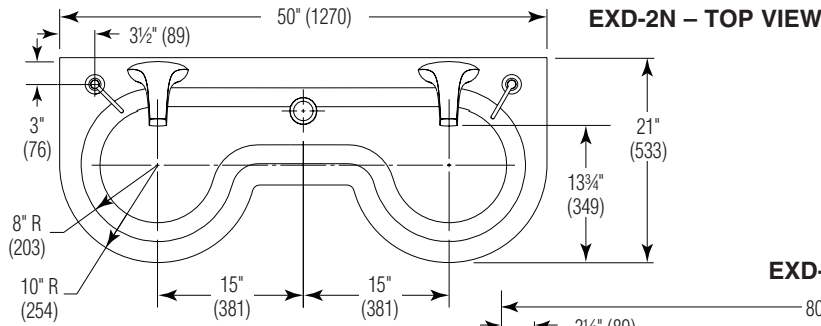
© 2017 Bradley
P.O. Box 309, Menomonee Falls, WI 53052-0309
800 BRADLEY (800 272 3539) +1 262 251 6000
bradleycorp.com



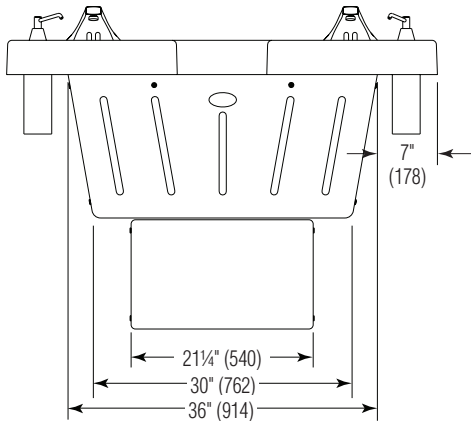
EXD-2N, EXD-3N Express® Deck Lavatory System – EXD-Series

Dimensions

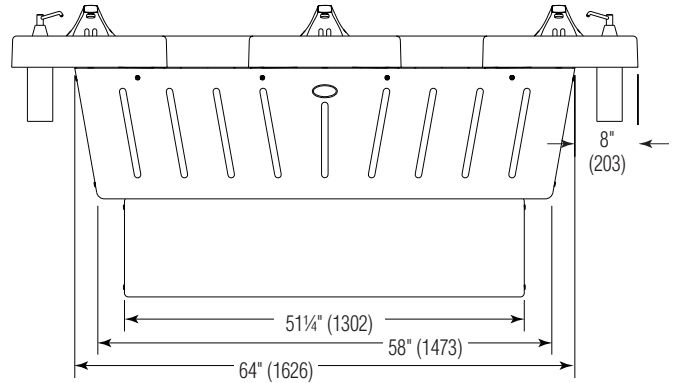
(mm)



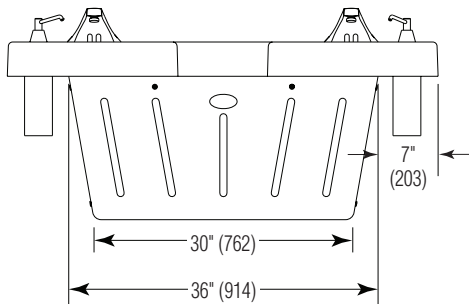
EXD-2N – FRONT VIEW – STANDARD FRAME



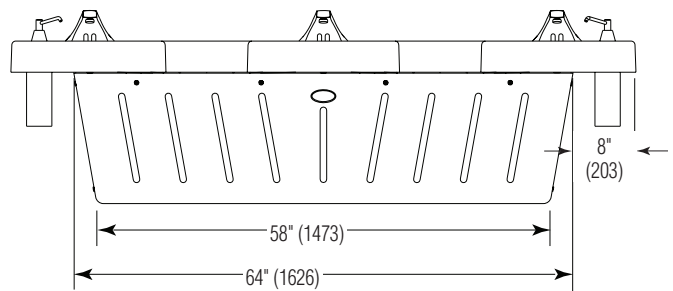
EXD-3N – FRONT VIEW – STANDARD FRAME



EXD-2N – FRONT VIEW – WALL-HUNG FRAME



EXD-3N – FRONT VIEW – WALL-HUNG FRAME



Verify all rough-in dimensions prior to installation.
Consult local and national codes. Conformity and compliance to local and national codes is the responsibility of the installer.

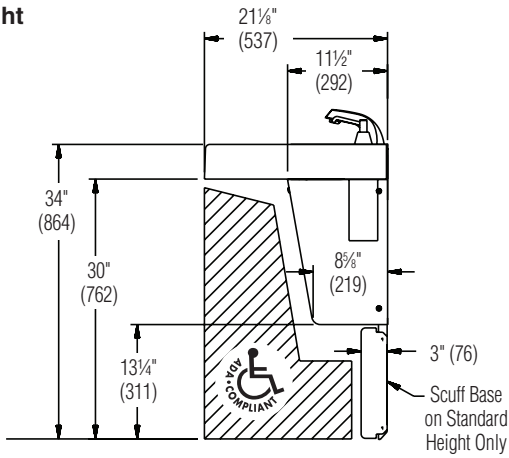


EXD-2N, EXD-3N Express® Deck Lavatory System – EXD-Series

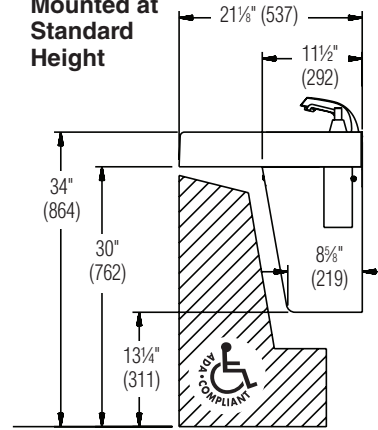
Dimensions – Side View

(mm)

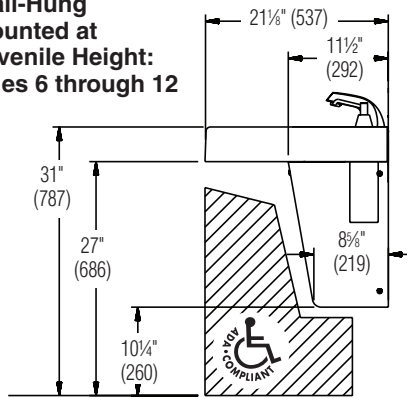
Standard Height



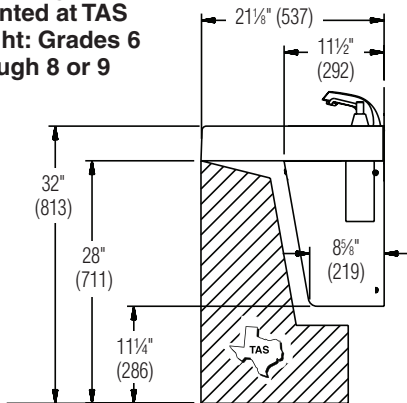
Wall-Hung Mounted at Standard Height



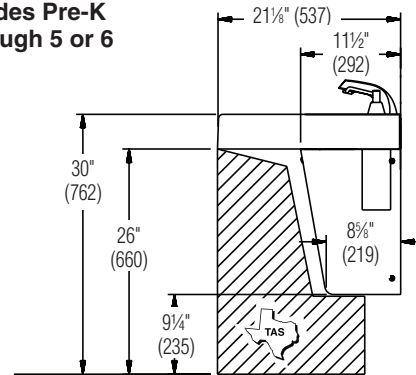
Wall-Hung Mounted at Juvenile Height: Ages 6 through 12



Wall-Hung Mounted at TAS Height: Grades 6 through 8 or 9



Wall-Hung Mounted at TAS Height: Grades Pre-K through 5 or 6



Verify all rough-in dimensions prior to installation.
Consult local and national codes. Conformity and compliance to local and national codes is the responsibility of the installer.



EXD-2N, EXD-3N Express® Deck Lavatory System – EXD-Series

Model EXD-2N – Mounting for Standard and Wall-Hung Heights are Shown

(mm)

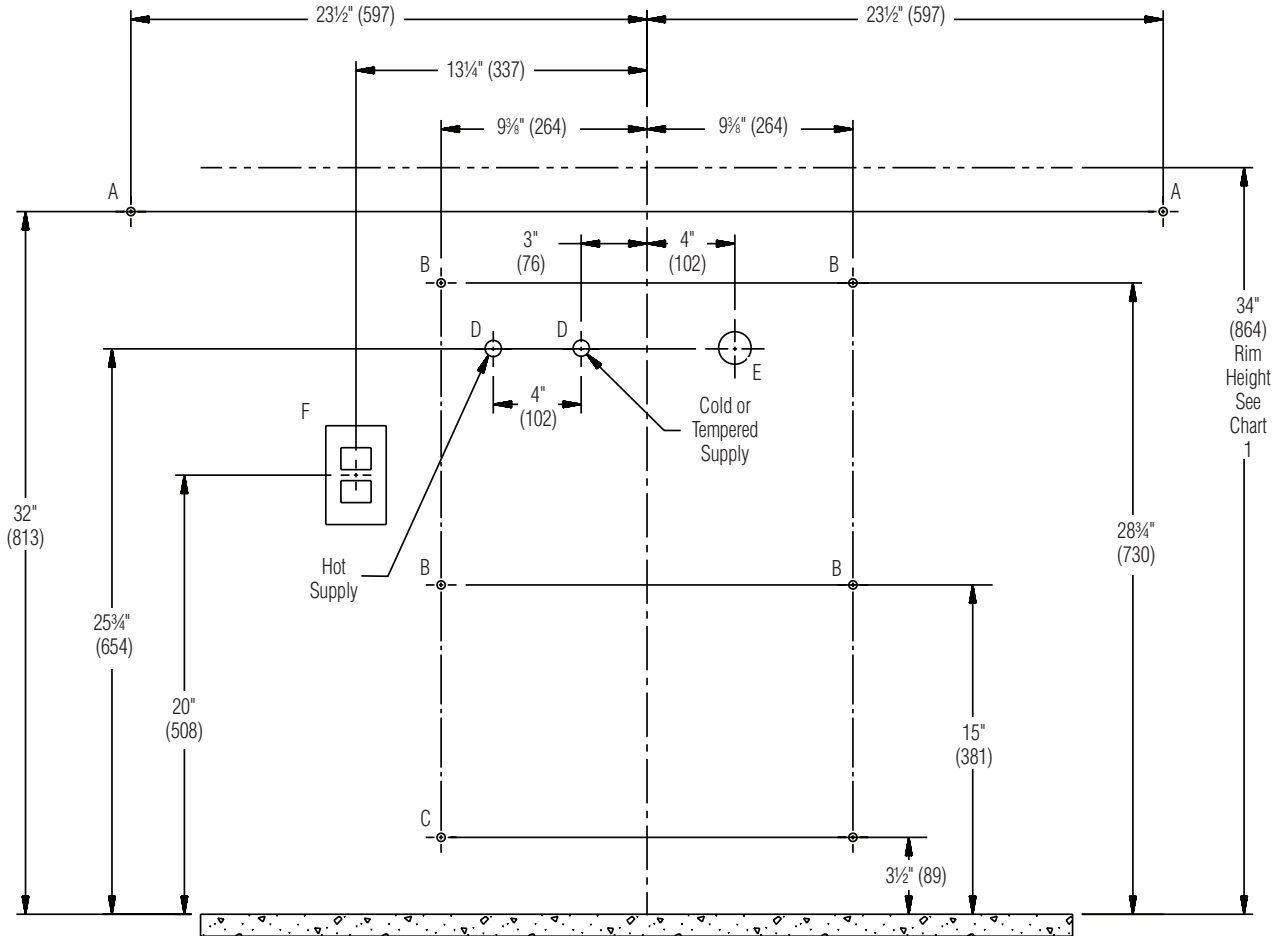


CHART 1

RIM HEIGHT	VERTICAL HEIGHT ADJUSTMENTS A – H	FIXTURE STYLE
34"	None	Standard Height
34"	None	Wall-Hung
32"	Subtract 2"	TAS, Grades 6 through 8 or 9
31"	Subtract 3"	Juvenile Height
30"	Subtract 4"	TAS, Pre-K through 5 or 6

CHART 2

CODE	DESCRIPTION	QTY.
A	3/8" Bowl Wall Anchors with a Min. Pull-Out Force of 1000 lbs.	2
B	3/8" Main Frame Wall Anchors with a Minimum Pull-Out Force of 1000 lbs.	4
C	3/8" Base Frame Wall Anchors with a Min. Pull-Out Force of 1000 lbs. Standard Frame Option Only.	2
D	1/2" Nominal Copper Tubing for Hot/Cold Supplies, Stub-Out 2" from Wall	2
E	1 1/2" NPT Drain, Stub-Out 2" from Wall	1
F	110V GFCI Protected Elec. Outlet	1

Verify all rough-in dimensions prior to installation.
Consult local and national codes. Conformity and compliance to local and national codes is the responsibility of the installer.

Page 4 of 6 3/2/2017
This information is subject to change without notice.
Bradley_Sink_Express_EXD-2N_3N

© 2017 Bradley
P.O. Box 309, Menomonee Falls, WI 53052-0309
800 BRADLEY (800 272 3539) +1 262 251 6000
bradleycorp.com



EXD-2N, EXD-3N Express® Deck Lavatory System – EXD-Series

Model EXD-3N – Mounting for Standard and Wall-Hung Heights are Shown

(mm)

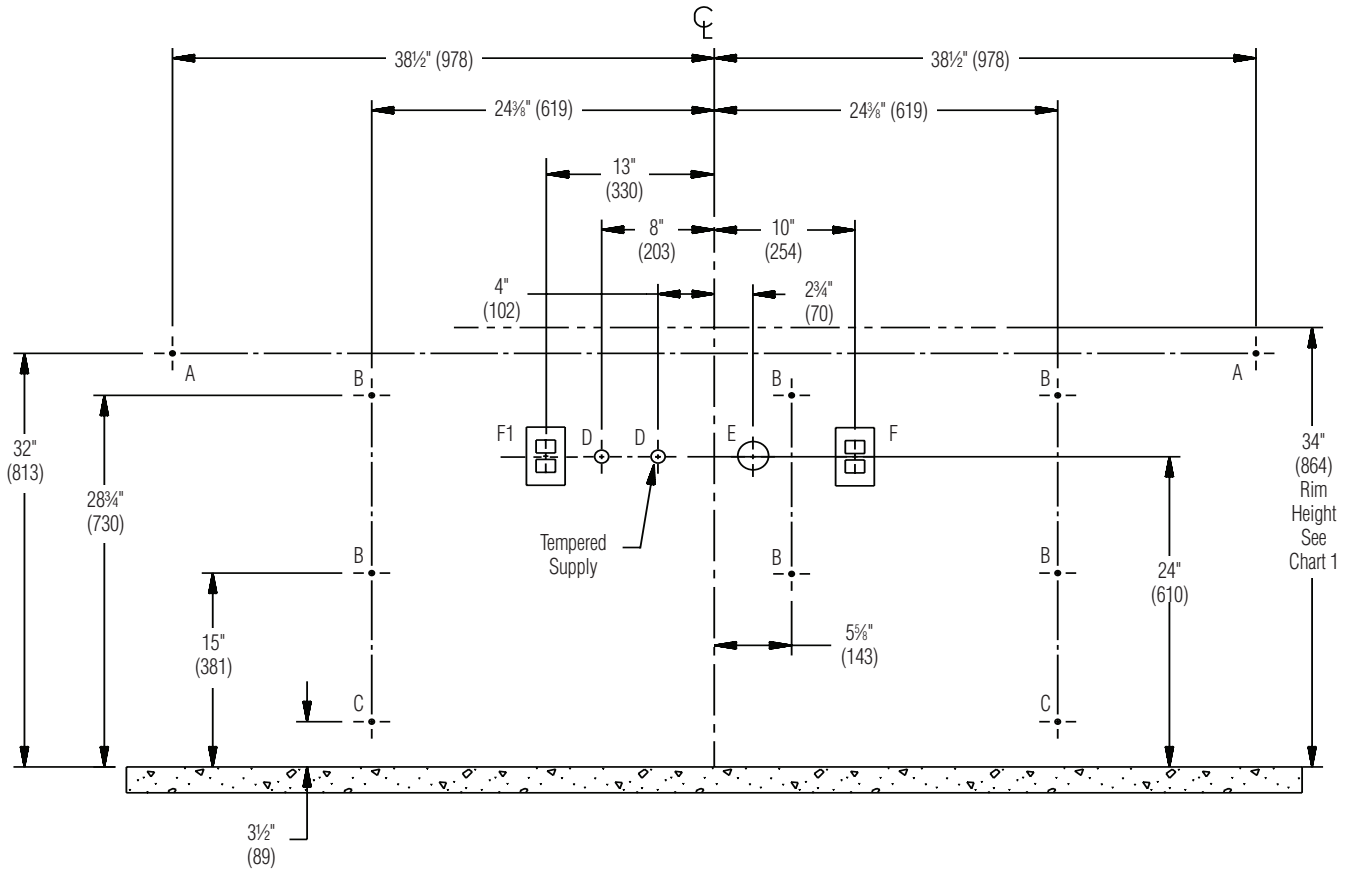


CHART 1

RIM HEIGHT	VERTICAL HEIGHT ADJUSTMENTS A – H	FIXTURE STYLE
34"	None	Standard Height
34"	None	Wall-Hung
32"	Subtract 2"	TAS, Grades 6 through 8 or 9
31"	Subtract 3"	Juvenile Height
30"	Subtract 4"	TAS, Pre-K through 5 or 6

CHART 2

CODE	DESCRIPTION	QTY.
A	3/8" Bowl Wall Anchors with a Min. Pull-Out Force of 1000 lbs.	2
B	3/8" Main Frame Wall Anchors with a Minimum Pull-Out Force of 1000 lbs.	6
C	3/8" Base Frame Wall Anchors with a Min. Pull-Out Force of 1000 lbs. Standard Frame Option Only.	2
D	1/2" Nominal Copper Tubing for Hot/Cold Supplies, Stub-Out 2" from Wall	2
E	1 1/2" NPT Drain, Stub-Out 2" from Wall	1
F	110V GFCI Protected Elec. Outlet	1
F1	110V GFCI Protected Elec. Outlet – OPTIONAL	1

Verify all rough-in dimensions prior to installation.
Consult local and national codes. Conformity and compliance to local and national codes is the responsibility of the installer.

Page 5 of 6 3/2/2017
This information is subject to change without notice.
Bradley_Sink_Express_EXD-2N_3N

© 2017 Bradley
P.O. Box 309, Menomonee Falls, WI 53052-0309
800 BRADLEY (800 272 3539) +1 262 251 6000
bradleycorp.com



EXD-2N, EXD-3N Express® Deck Lavatory System – EXD-Series

Models (Must select one)	
Model	Description
<input type="checkbox"/> EXD-2N	Express Deck Lavatory System, 2-Station
<input type="checkbox"/> EXD-3N	Express Deck Lavatory System, 3-Station
Standard Selections (Must select one from each category)	
Faucet Drilling* (select one)	
<input type="checkbox"/> 4" SET 4" Centerset (1-1/4" Drilling Only)	<input type="checkbox"/> SHANK Centershank (1-1/4" Drilling Only)
<input type="checkbox"/> 8" SET 8" Centerset (1-1/4" Drilling Only)	
Pedestal (select one)	
<input type="checkbox"/> STD Standard Frame - 34" (With Scuff Base)	<input type="checkbox"/> WH Wall-Hung Frame
Soap Dispenser (select one)	
<input type="checkbox"/> 6324 16oz. Plastic Globe, 4" Spout	<input type="checkbox"/> SDO Soap Drilling Only
<input type="checkbox"/> 6324-68 32oz. Plastic Globe, 4" Spout	<input type="checkbox"/> NSD No Soap Dispenser
<input type="checkbox"/> 6315 Sensor-Operated Soap Dispenser	
For 6315 Dispenser (must order as separate line items)	
<input type="checkbox"/> P19-232B 1000-Shot or 27 oz. Lotion Soap with Moisturizer (4 Bottles per Case)	
<input type="checkbox"/> P19-232A 2000-Shot or 54 oz. Lotion Soap with Moisturizer (4 Bottles per Case)	
<input type="checkbox"/> P19-231F AC Adapter - 6315 Soap Dispenser	
Water Supply (select one)	
<input type="checkbox"/> TMA Navigator® Thermostatic Mixing Assembly (Hot and Cold Supplies - supply hoses and shut-offs included)	
<input type="checkbox"/> TL Single Tempered Line Assembly (supply hoses and shut-off included)	
<input type="checkbox"/> NONE No Valve Option Selected	
Color of Terreon® Bowl (select one)	
<i>Standard Colors</i>	
<input type="checkbox"/> E-GRAY Empire Gray	<input type="checkbox"/> DS-WHT Designer White
<input type="checkbox"/> BONE Mesa Bone	<input type="checkbox"/> CHAR Charcoal Gray
<input type="checkbox"/> PEP-WHT Peppered White	<input type="checkbox"/> GRAPH Graphite
<input type="checkbox"/> SAND Sandtrap	<input type="checkbox"/> LANNON Lannonstone
	<input type="checkbox"/> COBBLE Cobblestone
	<input type="checkbox"/> WHT-SAND White Sand
	<input type="checkbox"/> LONDON London Gray
	<input type="checkbox"/> O-TAUPE Organic Taupe
<i>Designer Colors (available at an additional charge; non-cancelable, non-returnable)</i>	
<input type="checkbox"/> ARC-CHIP Arctic Chip	<input type="checkbox"/> RIVER Riverstone
<input type="checkbox"/> COFFEE Coffee Bean	
<i>TerreonRE Colors (available at an additional charge; non-cancelable, non-returnable)</i>	
<input type="checkbox"/> BIRCH-BARK Birch Bark	<input type="checkbox"/> MOONDUST Moon Dust
<input type="checkbox"/> DUSK Dusk	<input type="checkbox"/> OAT Oat
Color of Access Panel (select one)	
<input type="checkbox"/> COAL Coal	
Optional Selections	
P-Trap:	<input type="checkbox"/> S-CHROME Single Chrome-Plated P-Trap

Verify all rough-in dimensions prior to installation.
Consult local and national codes. Conformity and compliance to local and national codes is the responsibility of the installer.