



S59-4007

Navigator® Thermostatic Mixing Valves

- Reliable wax-filled thermostat
- Adjustable set point within temperature range
- Easy installation and serviceability
- Dirt and lime resistant
- 1/2" Copper & 1/2" NPT tailpiece connection
- Check valves on supply inlets
- Factory assembled and tested
- Universal mounting capability
- Lead-free design †
- Thermoplastic polymer cartridge
- Optional mounting bracket

Valve Specifications

Maximum Operating Pressure

125 PSI (860 kPA)

Maximum Inlet Temperature

180° F (82° C)

Temperature Range

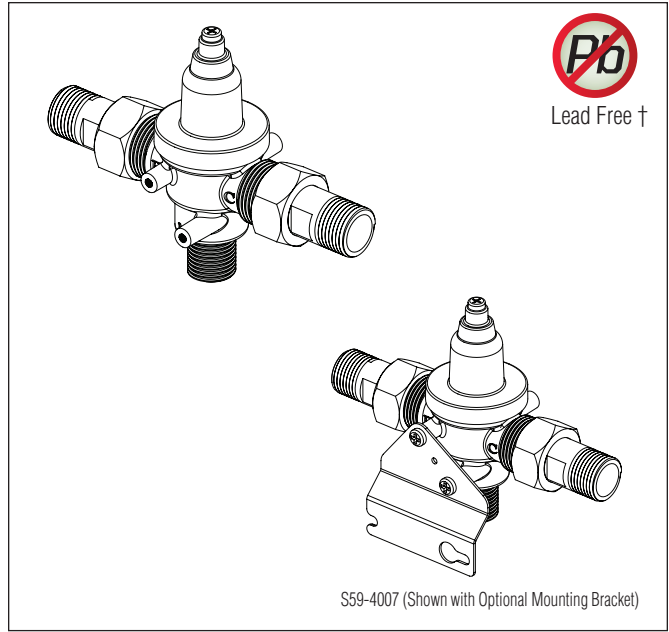
Std. 95° F (35° C) to 125° F (52° C)

Temperature Differential - Hot to Mix

10° F (5.6° C)

Flow Capacities – GPM (L/Min)

Model	Min. Flow	Pressure Drop – PSI (Bar)						
		5 (.5)	10 (1.0)	15 (1.5)	20 (2.0)	30 (2.5)	45 (3.0)	60 (4.0)
S59-4007	0.5 (2.0)	2.5 (11.5)	3.5 (16.0)	4.5 (20.0)	5.0 (23.0)	6.0 (25.5)	7.5 (28.0)	8.5 (32.0)



S59-4007 (Shown with Optional Mounting Bracket)

Models (Must select one)

Model	Description
<input type="checkbox"/> S59-4007	Navigator® Thermostatic Mixing Valve with 1/2" male NPT connection
<input type="checkbox"/> S45-2456	Optional Mounting Bracket

Code Compliance and Certifications

ASSE 1070 & cUPC certified. Complies with California Lead Plumbing Law.



Certified to NSF/ANSI 372

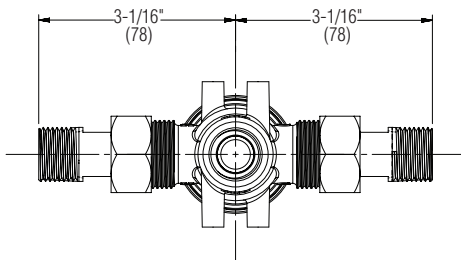
† Wetted surface area contains less than .25% lead.

Standard product selections contained within this document are third party CERTIFIED to NSF/ANSI 372 meeting the Lead-Free content requirement. Any product configured with custom options will be COMPLIANT with NSF/ANSI 372 meeting the Lead-Free content requirement.

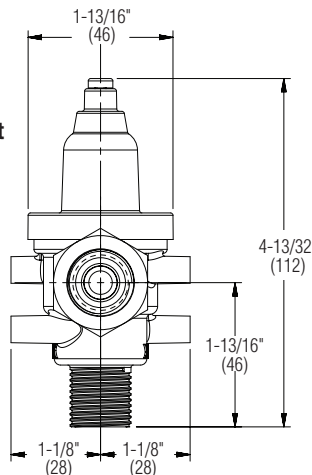
Engineer's Approval _____

Dimensions

Top View



Front View



Front View with Bracket

