



S19-2000 (EFX8), S19-2000EFX Emergency Fixture Thermostatic Mixing Valves

- Exceeds ANSI Z358.1
- ASSE 1071 Certified
- Reliable Liquid-Filled Thermostat with 10-Year Warranty
- Checkstops on Inlets
- Adjustable Set Point within Temperature Range
- Accurate Temperature Control to within $\pm 3^{\circ}$ F
- Built-in Cold Water Bypass, Assuring Cold Flow
- Positive Shutoff of Hot Supply When Cold Supply is Lost
- Easy Installation and Serviceability
- Dirt and Lime Resistant
- Dial Thermometer
- Factory Assembled and Tested
- Universal Mounting Capability
- Cabinet Features:
 - 18 Gauge Body & Door
 - Left-Hand Hinge
 - Cylinder Lock
 - Inlet/Outlet Knock-Out Holes for Mounting Flexibility
 - Stainless Steel or Baked White Enamel Finishes
 - Surface-Mounted or Recessed Style with Flange

Valve Specifications

Maximum Operating Pressure
125 PSI (860 kPA)

Maximum Inlet Temperature
180° F (82° C)

Recommended Inlet Temperature
120° F (49° C) – 140° F (60° C)

Temperature Range **Set Point**
Std. 65° F (18° C) to 90° F (32° C) 85° F (29° C)

Flow Capacities – GPM

Model	Min. Flow	Pressure Drop – PSI						
		5	10	15	20	30	45	60
S19-2000	1.5	3.0	4.0	5.0	6.0	7.3	9.0	10.5
Cold Bypass Only		2.3	3.2	4.0	4.6	5.6	6.8	7.7

Flow Capacities – L/Min

Model	Min. Flow	Pressure Drop – Bar						
		.5	1.0	1.5	2.0	2.5	3.0	4.0
S19-2000	5.5	13.5	19.0	23.5	27.0	30.5	33.5	38.5
Cold Bypass Only		10.5	14.5	18.0	21.0	23.5	25.5	29.5

This plumbing fixture is not intended to dispense water for human consumption through drinking or for preparation of food or beverages.

Code Compliance and Certifications

ASSE 1071 & UPC certified.



Engineer's Approval _____



S19-2000

Valve Model

Model	Description
<input type="checkbox"/> S19-2000	Emergency Fixture Thermostatic Mixing Valve
<input type="checkbox"/> S19-2000EFX	Emergency Fixture Thermostatic Mixing Valve for S19294JB & S19294JBT Only

Configurable Valve Model (select one)

Model	Description
<input type="checkbox"/> EFX8	EFX8 Thermostatic Mixing Valve with Options
<input type="checkbox"/> CAB-EFX8	EFX8 Thermostatic Mixing Valve Cabinet Only

Optional Valve Selections

Finish	
<input type="checkbox"/> R	Rough Brass (standard)
<input type="checkbox"/> C	Chrome Plated

Bracket	
<input type="checkbox"/> B	Wall Mounting Bracket
<input type="checkbox"/> 0	None

Optional Cabinet Selections

Cabinets (includes bracket)	
<input type="checkbox"/> SS	Surface Mount Stainless Steel
<input type="checkbox"/> RS	Recessed Stainless Steel
<input type="checkbox"/> SE	Surface Mount White Enamel
<input type="checkbox"/> RE	Recessed White Enamel
<input type="checkbox"/> 0	None

Window	
<input type="checkbox"/> W	Plexi-Glass Window in Door
<input type="checkbox"/> 0	None



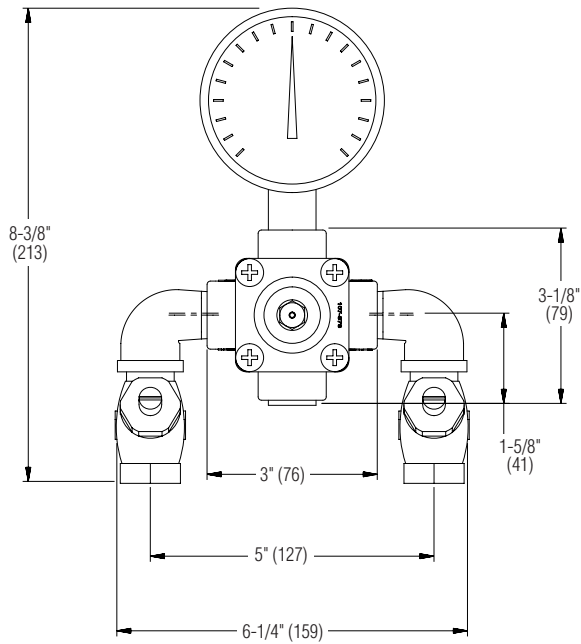


S19-2000 (EFX8), S19-2000EFX Emergency Fixture Thermostatic Mixing Valves

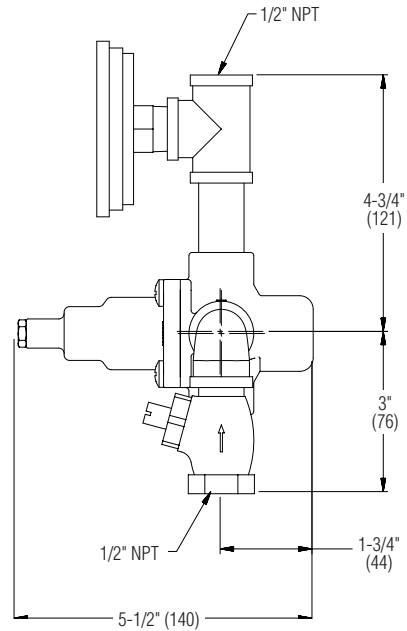
Dimensions

(mm)

Front View

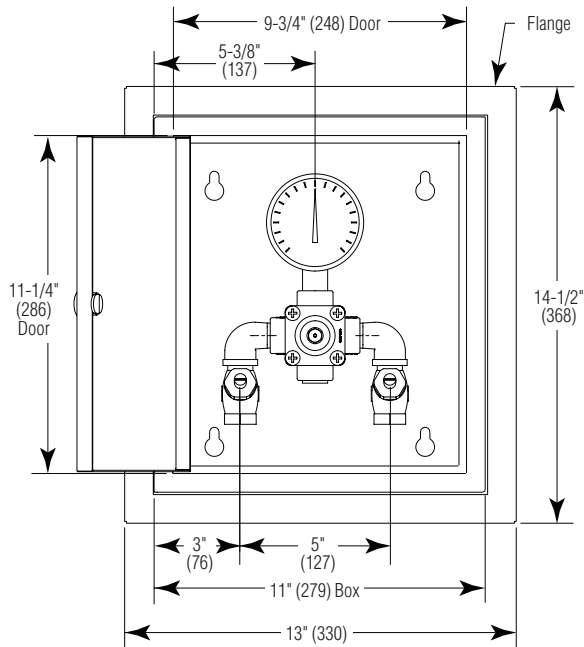


Side View

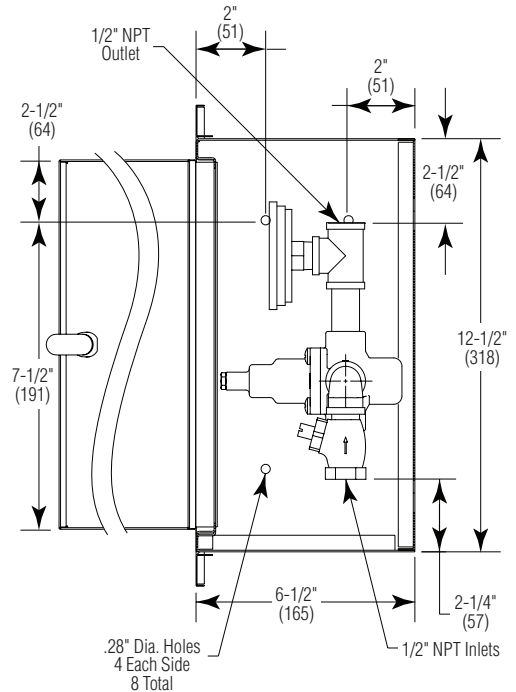


Dimensions — S19-2000 Recessed Cabinet

Front View



Side View



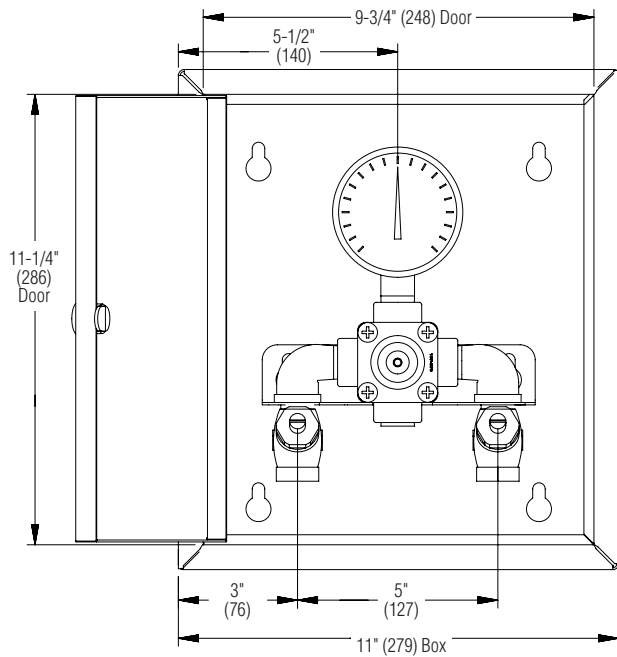


S19-2000 (EFX8), S19-2000EFX Emergency Fixture Thermostatic Mixing Valves

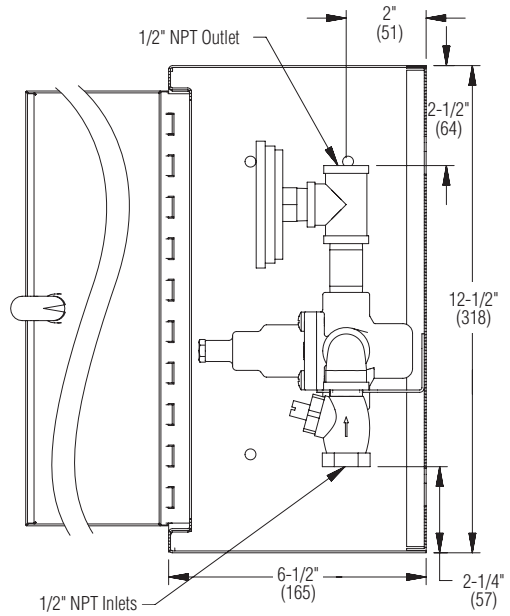
Dimensions — S19-2000 Surface-Mounted Cabinet

(mm)

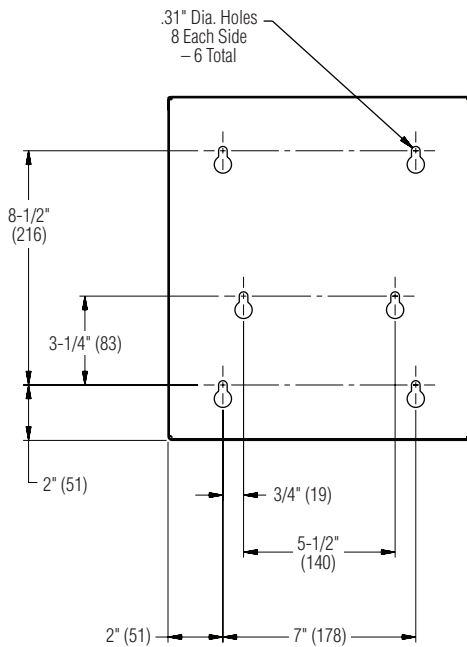
Front View



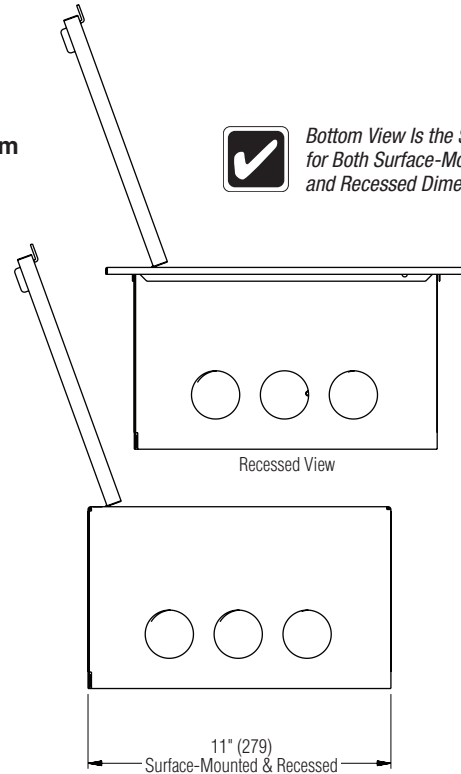
Side View



Back View



Bottom View



Bottom View Is the Same for Both Surface-Mounted and Recessed Dimensions.