



- Terreon® Deck with Integral Sink
- Unique, Repairable Terreon Solid Surface Material
- ADA and TAS Compliant units available
- Drilled or Equipped with Faucets/Drinking Fountains
- Optional Waste Receptacle openings
- 4-Sided Drip Ledge around sink perimeter

## Specifications

Terreon OmniDeck Model TCS Series features a solid surface counter top with integral sink(s) and covered backsplash. The Terreon OmniDeck comes equipped with faucet and drinking fountain or drilled for 4" centerset, 8" centerset or centershank faucet mounting – always check local codes and ordinances for compliance. Optional 4 sided drip ledge and deck mounted soap dispensers available. Strainer and P-trap included.

## Construction

### Bowl/Deck

Constructed of Terreon, a densified solid surface material composed of polyester resin or Terreon®RE, a densified solid surface material composed of a bio-based resin and preconsumer recycled granules. Terreon and TerreonRE are resistant to chemicals, stains, burns and impact. Surface damage can be easily repaired with everyday cleansers or fine grit abrasives. Terreon and TerreonRE are Home Innovation Lab certified to meet CSA B45.5/IAPMO Z124. Terreon and TerreonRE are GREENGUARD® certified as low-emitting materials.

## Code Compliance and Certifications

### ANSI Standards:

Terreon and TerreonRE are Home Innovation Lab certified to meet CSA B45.5/IAPMO Z124.

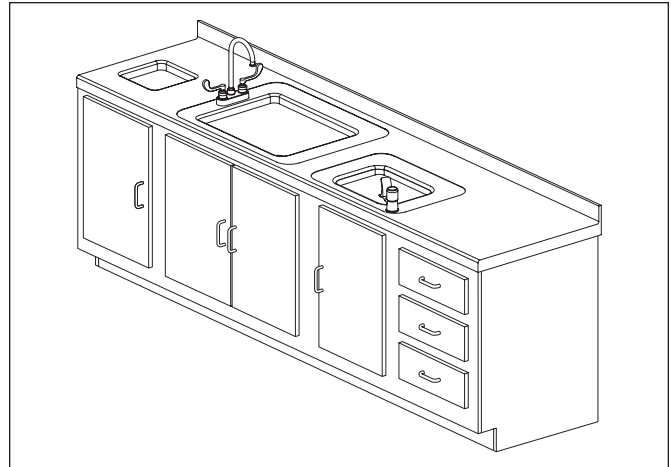
### CSA Certified:

Terreon OmniDeck model TCS is certified to US and Canadian standards through the Canadian Standards Association CSA B45, ASME A112.18.1-2011/CSA B 125.1-11.

- This plumbing fixture is designed for hand washing only. It is not Intended to dispense water for human consumption through drinking or for preparation of food or beverages.
- Standard product selections contained within this document are third party **CERTIFIED** to NSF/ANSI 372 meeting the Lead-Free content requirement. Any product configured with custom options will be **COMPLIANT** with NSF/ANSI 372 meeting the Lead-Free content requirement.

### Standard Height Mounting

The Terreon OmniDeck mounted at standard height is designed to comply with all ADA guidelines on reaches and clearances. To comply with ADA, the rim height of the sink must be no higher than 34" above the finished floor. To be completely ADA compliant, the TCS Series must be equipped with ADA compliant faucet and/or drinking fountain, ADA compliant casework, and 5½" depth sink.



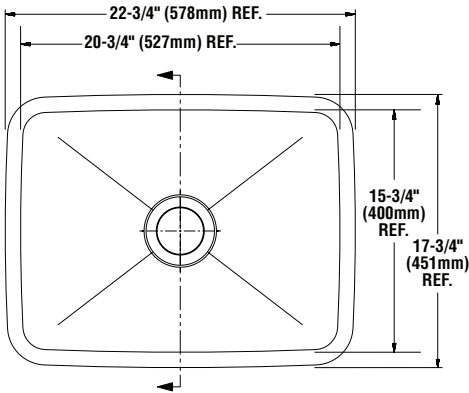
### Juvenile Height Mounting

The Terreon OmniDeck mounted with counter surface no higher than 31" is compliant with ADA Accessibility Guidelines for Buildings and Facilities: Buildings Elements Designed for Children's Use; Final Rule. To be completely ADA compliant for juveniles, the Terreon OmniDeck must be equipped with juvenile ADA compliant faucet and/or drinking fountain, juvenile ADA compliant casework, and 5½" depth sink.

### Texas Accessibility Height Mounting

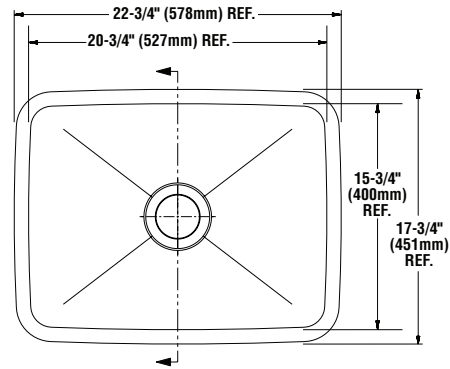
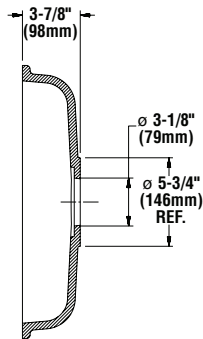
The Terreon OmniDeck complies with all Texas Accessibility Standards (TAS) guidelines on reaches, clearances and operation for juvenile users. To comply with TAS for grades Pre-K thru 5 or 6, the rim height of the sink must be 30" maximum above finished floor. For grades 6 thru 8 or 9, the unit must be mounted with a rim height of 32" maximum above finished floor. To be completely TAS compliant for juveniles, the TCS Series must be equipped with TAS compliant faucet, TAS compliant casework, and 3½" depth sink.





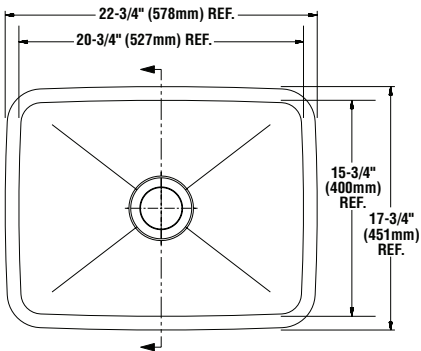
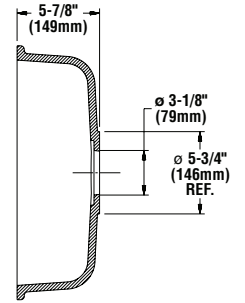
**CS-1**

**3½" undermount basin depth**



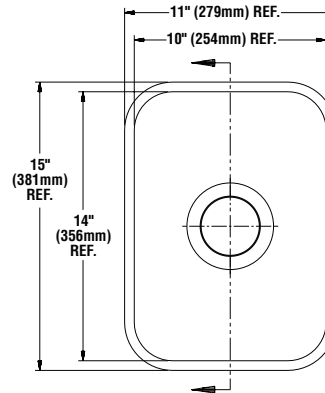
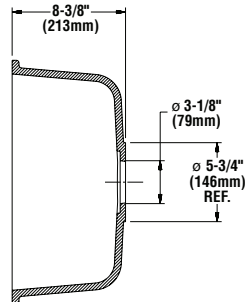
**CS-2**

**5½" undermount basin depth**



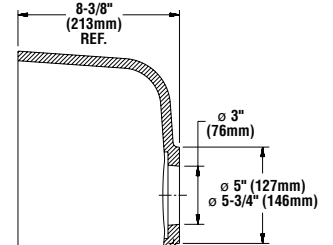
**CS-3**

**8" undermount basin depth**

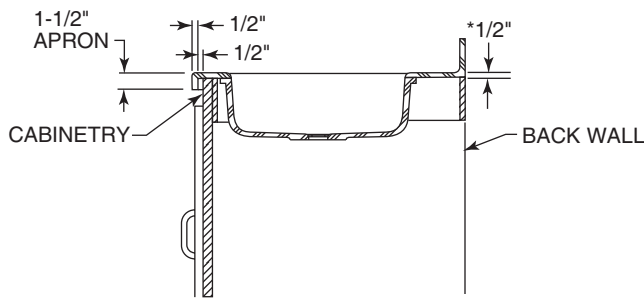


**CS-4**

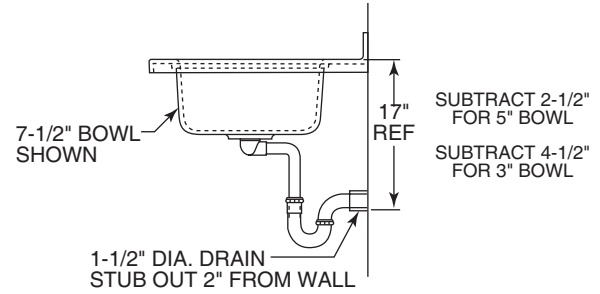
**8" undermount basin depth**



**NOTE:** Undermount basins are attached to 1/2" Terreon solid surface material increasing basin depth by 1/2". All dimensions are reference and subject to change. Bradley Corporation reserves the right to make changes in design and material without formal notice and without incurring obligation. Verify all rough-in dimensions prior to installation.

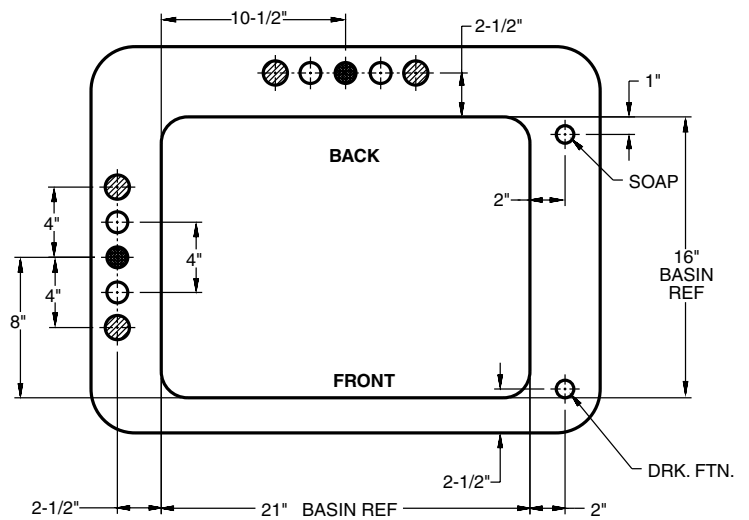
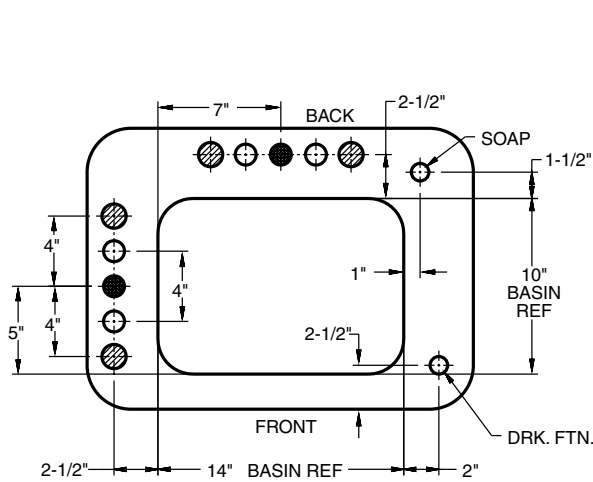


**SINK DIMENSIONS**



**SINK ROUGH-IN**

HOLES	4"○	8"⊗	C'SHANK●	DRK FTN	SOAP
CLR. HOLE	—	—	—	1"Ø	1"Ø
SPOUT	1-3/16"Ø	1-3/16"Ø	1-3/16"Ø	—	—
FAUCET	1-1/4"Ø	1-3/8"	—	—	—

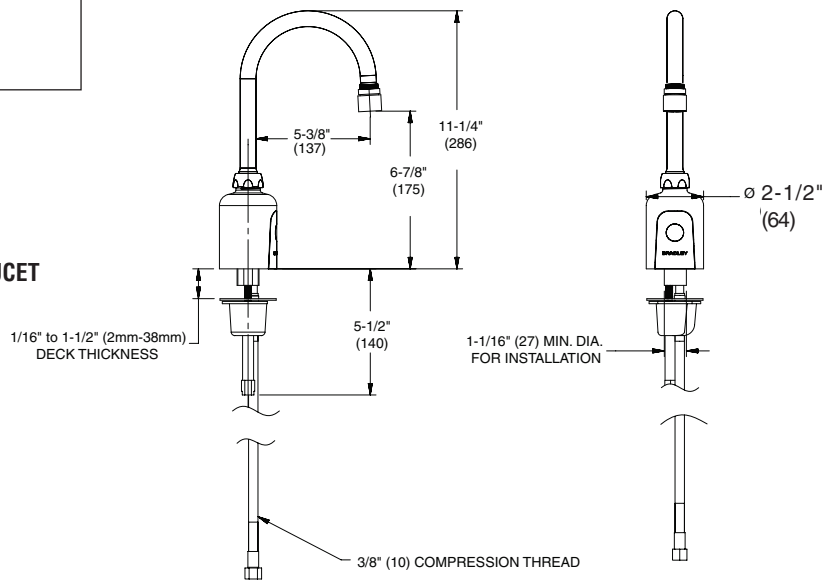


**FAUCET, DRINKING FOUNTAIN & SOAP DISPENSER PLACEMENT**

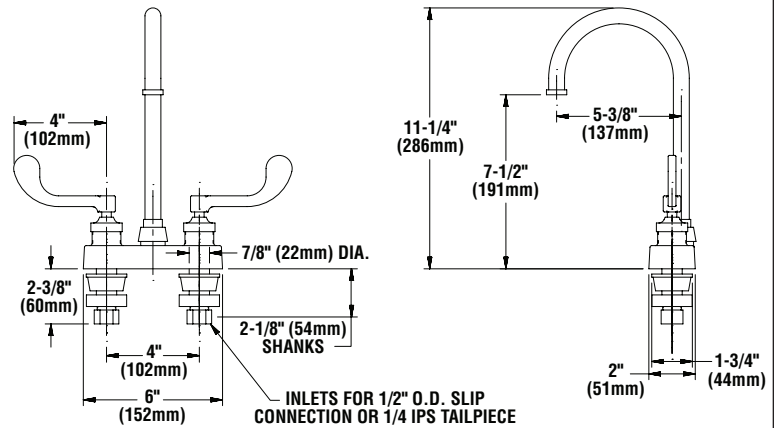


**Terreon® OmniDeck — TCS Series  
Faucet Dimensions**

**AERADA™ 1000 SERIES GOOSENECK FAUCET**



**Wristblade Handles – Gooseneck Faucet  
Part Number 269-878**

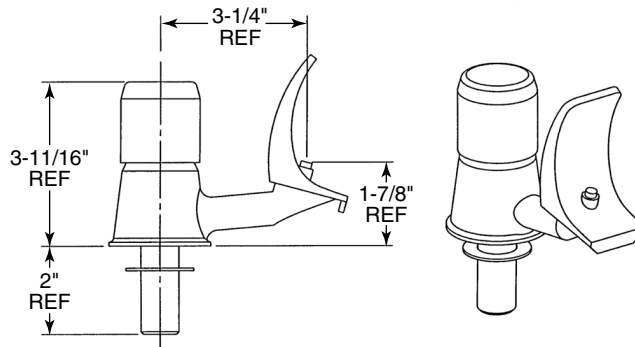
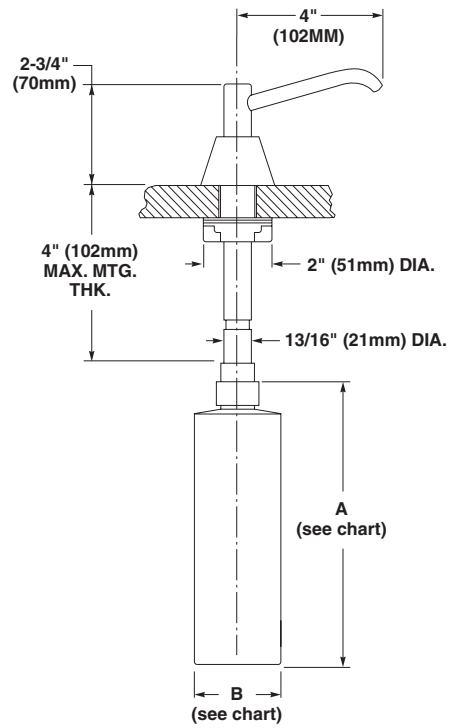




**Terreon® OmniDeck — TCS Series Soap Dispenser Dimensions**

**Model 6324**

DIMENSIONS			
Model	A	B	Capacity
6324	7 <sup>1</sup> / <sub>8</sub> " (181mm)	2 <sup>1</sup> / <sub>2</sub> " (64mm)	16 oz.
6324-68	8 <sup>15</sup> / <sub>16</sub> " (227mm)	3 <sup>1</sup> / <sub>4</sub> " (83mm)	32 oz.



**PUSH BUTTON OPERATED DRINKING FOUNTAIN**

**NOTE:** Some state and local codes require separate sinks for faucets and drinking fountains. Always check local codes and ordinances for compliance.



**Instructions:** Fill out the following form for each Terreon OmniDeck and include with your Bradley Fixture Order Form. Be sure to check off all boxes and fill in all blank spaces that pertain to your order. Incomplete forms will not be processed and will cause delays in shipment.

\* Any variance or deviation from the options below will require a signed, Bradley engineered submittal for order processing.

**Job Name:** \_\_\_\_\_

**Location:** \_\_\_\_\_

**Bradley Rep:** \_\_\_\_\_

**Date:** \_\_\_\_\_

**Approval:** \_\_\_\_\_

**Modified TCS Series Models:**

**Qty.**

\_\_\_\_ **TCS-0 (Terreon OmniDeck — No Sink)**

\_\_\_\_ **TCS-1 (Single Bowl Terreon OmniDeck)**

\_\_\_\_ **TCS-2 (Double Bowl Terreon OmniDeck)**

REQUIRED				OPTIONAL		
L	D	B1	B2	WR1	WR2	SH

Use the diagrams on the following page to determine the appropriate dimensions for the Terreon OmniDeck to be filled in above. For example: If selecting a **TCS-2**, you must fill in **L** (length), **D** (depth), **B1** (bowl 1 placement), **B2** (bowl 2 placement).

**KEY:**

**L**.....Length

**D**.....Depth

**B1**.....Placement of Bowl 1

**B2**.....Placement of Bowl 2

**WR1**.....Placement of Waste Receptacle 1

**WR2**.....Placement of Waste Receptacle 2

**SH**.....Splash Height

NOTE: All dimensions for bowl placements must be from left to right (as indicated in the sample diagrams on the following page).

All deck dimensions should be specified to the nearest 1/4".

SH — Backsplash exceeding 5" will not be covered and will be shipped loose.

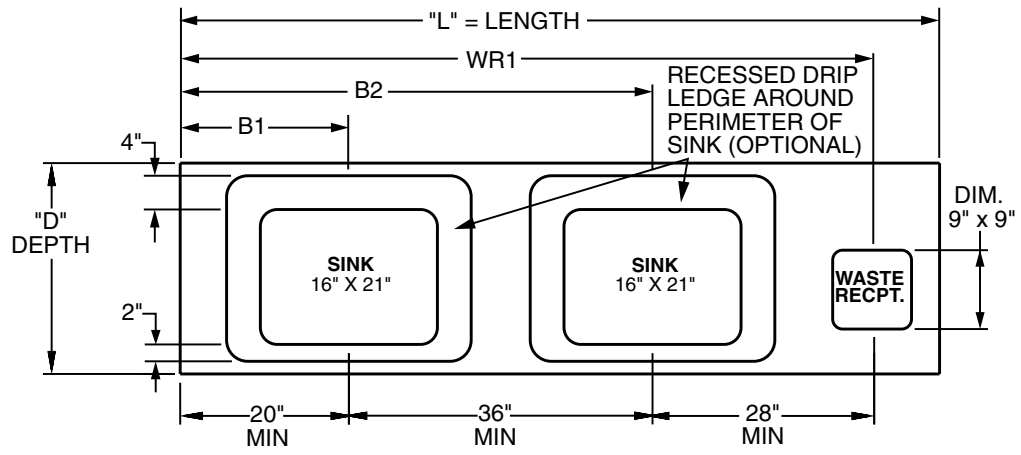
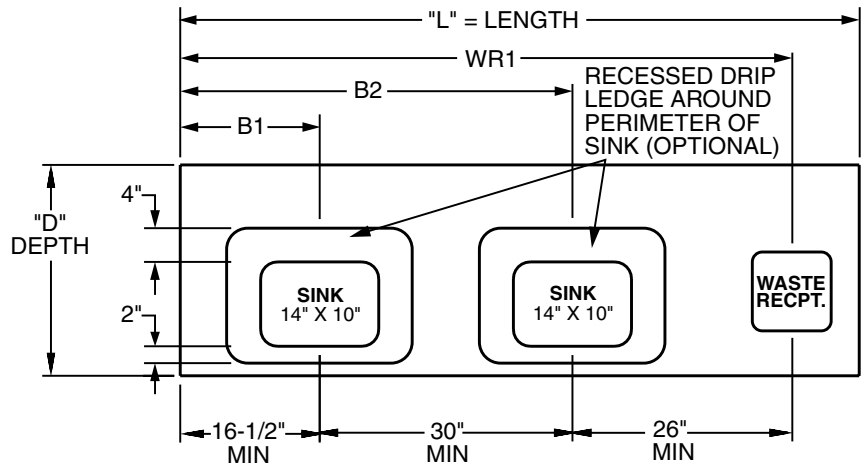
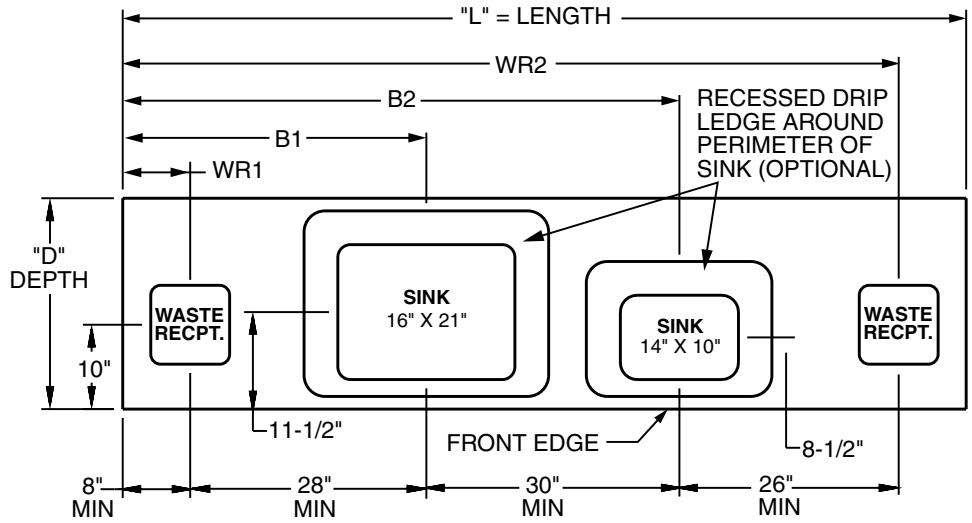
**Important:** If countertop overhang is desired on casework, add appropriate length and depth to deck when calculating dimensions.

**All OmniDecks are non-cancelable and non-returnable because they are made to specification for each other.**






**KEY:**

- L ..... Length
- D ..... Depth
- B1 ..... Placement of Bowl 1
- B2 ..... Placement of Bowl 2
- WR1 ..... Placement of Waste Receptacle 1
- WR2 ..... Placement of Waste Receptacle 2
- SH ..... Splash Height





<b>Standard Selections</b> (Must select one from each category)			
<b>Sink Styles:</b>		<b>Bowl 1</b>	<b>Bowl 2</b>
<b>CS-1 16x21"</b>	Terreon Sink, 3½" Depth (TAS)	<input type="checkbox"/>	<input type="checkbox"/>
<b>CS-2 16x21"</b>	Terreon Sink, 5½" Depth (ADA)	<input type="checkbox"/>	<input type="checkbox"/>
<b>CS-3 16x21"</b>	Terreon Sink, 8" Depth	<input type="checkbox"/>	<input type="checkbox"/>
<b>CS-4 10x14"</b>	Terreon Sink, 8" Depth	<input type="checkbox"/>	<input type="checkbox"/>
<b>Faucet Drilling Locations:</b>		<b>Bowl 1</b>	<b>Bowl 2</b>
<b>LEFT</b>		<input type="checkbox"/>	<input type="checkbox"/>
<b>RIGHT</b>		<input type="checkbox"/>	<input type="checkbox"/>
<b>BACK</b>		<input type="checkbox"/>	<input type="checkbox"/>
<b>NFD</b>	Terreon Sink, 8" Depth	<input type="checkbox"/>	<input type="checkbox"/>
<b>Faucet Options:</b>		<b>Bowl 1</b>	<b>Bowl 2</b>
<b>GN-DC</b>	IR Gooseneck w/ Battery Power (DC)	<input type="checkbox"/>	<input type="checkbox"/>
<b>WB</b>	Gooseneck; 10" Spout, Dual Lever	<input type="checkbox"/>	<input type="checkbox"/>
<b>None</b>	No Bradley Faucet	<input type="checkbox"/>	<input type="checkbox"/>
<b>Faucet Drilling Options (Choose from below only if "None" option from above was selected):</b>		<b>Bowl 1</b>	<b>Bowl 2</b>
<b>4" SET</b>	4" Centerset	<input type="checkbox"/>	<input type="checkbox"/>
<b>8" SET</b>	8" Centerset	<input type="checkbox"/>	<input type="checkbox"/>
<b>4" OFFSET — R</b>	4" Center Offset Right	<input type="checkbox"/>	<input type="checkbox"/>
<b>4" OFFSET — L</b>	4" Center Offset Left	<input type="checkbox"/>	<input type="checkbox"/>
<b>SHANK</b>	Centershank	<input type="checkbox"/>	<input type="checkbox"/>
<b>NFD</b>	No Faucet Drilling	<input type="checkbox"/>	<input type="checkbox"/>
<b>Drinking Fountain Drilling Locations:</b>		<b>Bowl 1</b>	<b>Bowl 2</b>
<b>LEFT</b>	Left Drinking Fountain Drilling	<input type="checkbox"/>	<input type="checkbox"/>
<b>RIGHT</b>	Right Drinking Fountain Drilling	<input type="checkbox"/>	<input type="checkbox"/>
<b>NDF</b>	No Drinking Fountain Drilling	<input type="checkbox"/>	<input type="checkbox"/>
<b>Drinking Fountain Options:</b>		<b>Bowl 1</b>	<b>Bowl 2</b>
<b>DFPB</b>	Push Button Activated	<input type="checkbox"/>	<input type="checkbox"/>
<b>DFDO</b>	Drinking Fountain Drilling Only	<input type="checkbox"/>	<input type="checkbox"/>
<b>NDF</b>	No Drinking Fountain	<input type="checkbox"/>	<input type="checkbox"/>
<b>Soap Dispenser Options:</b>		<b>Bowl 1</b>	<b>Bowl 2</b>
<b>6324</b>	16 oz. Plastic Globe, 4" Spout	<input type="checkbox"/>	<input type="checkbox"/>
<b>6324-68</b>	32 oz. Plastic Globe, 4" Spout	<input type="checkbox"/>	<input type="checkbox"/>
<b>NSD</b>	No Soap Dispenser	<input type="checkbox"/>	<input type="checkbox"/>
<b>SDO</b>	Soap Drilling Only	<input type="checkbox"/>	<input type="checkbox"/>
<b>Sink Drip Ledge Options:</b>		<b>Bowl 1</b>	<b>Bowl 2</b>
<b>DL</b>	4-Sided Drip Ledge Around Sink Perimeter	<input type="checkbox"/>	<input type="checkbox"/>
<b>NDL</b>	No Drip Ledge	<input type="checkbox"/>	<input type="checkbox"/>





**Standard Selections** (Must select one from each category)

**Waste Receptacle Opening (Location specified in chart on page 7):**

- WR-0** No Waste Receptacle Opening
- WR-1** One Waste Receptacle Opening
- WR-2** Two Waste Receptacle Openings

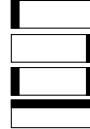
**Edging Style Selection (select one):**

- RO** Roundover



**Will deck be seamed?**

- SEAM-L** Seamed on the Left
- SEAM-R** Seamed on the Right
- SEAM-LR** Seamed on the Left and Right
- SEAM-BK** Seamed on the Back
- NONE** No Seams



**Will Tempered Water Be Supplied to This Unit? (select one)**

Note: This question must be answered to determine bowl color options (see above).

- TEMP** Tempered (less than 110°F or 43°C)
- NO-TEMP** Not Tempered

**Deck Standard Colors:**

- |   |   |  |
|---|---|--|
| <input type="checkbox"/> <b>ALP-WHT</b> Alpine White  | <input type="checkbox"/> <b>E-GRAY</b> Empire Gray    | <input type="checkbox"/> <b>PEP-WHT</b> Peppered White |
| <input type="checkbox"/> <b>AVALANCHE</b> Avalanche†  | <input type="checkbox"/> <b>GLACIER</b> Glacier       | <input type="checkbox"/> <b>POLAR</b> Polar Ice†       |
| <input type="checkbox"/> <b>BONE</b> Mesa Bone        | <input type="checkbox"/> <b>GRAPH</b> Graphite        | <input type="checkbox"/> <b>SAND</b> Sandtrap          |
| <input type="checkbox"/> <b>CHAR</b> Charcoal Gray    | <input type="checkbox"/> <b>LANNON</b> Lannonstone    | <input type="checkbox"/> <b>S-CREEK</b> Stone Creek    |
| <input type="checkbox"/> <b>COBBLE</b> Cobblestone    | <input type="checkbox"/> <b>LONDON</b> London Gray    | <input type="checkbox"/> <b>S-MIST</b> Silver Mist     |
| <input type="checkbox"/> <b>DRIFT</b> Driftwood†      | <input type="checkbox"/> <b>MOONSTONE</b> Moonstone†  | <input type="checkbox"/> <b>WHT-SAND</b> White Sand    |
| <input type="checkbox"/> <b>DS-WHT</b> Designer White | <input type="checkbox"/> <b>O-TAUPE</b> Organic Taupe |  |
| <input type="checkbox"/> <b>DUNE</b> Sand Dune†       | <input type="checkbox"/> <b>PEBBLE</b> Pebble Beach   |  |

**Designer Colors (available at an additional charge; non-cancelable and non-returnable):**

- |  |  |
|--|--|
| <input type="checkbox"/> <b>ARC-CHIP</b> Arctic Chip | <input type="checkbox"/> <b>RIVER</b> Riverstone |
| <input type="checkbox"/> <b>COFFEE</b> Coffee Bean   |  |

**TerreonRE Colors (available at an additional charge; non-cancelable and non-returnable):**

- |   |  |
|---|--|
| <input type="checkbox"/> <b>BIRCH-BARK</b> Birch Bark | <input type="checkbox"/> <b>MOONDUST</b> Moon Dust |
| <input type="checkbox"/> <b>DUSK</b> Dusk             | <input type="checkbox"/> <b>OAT</b> Oat            |

**Color of Terreon Bowl Color Selection (select one):**

- |   |   |
|---|---|
| <input type="checkbox"/> <b>ALP-WHT</b> Alpine White  | <input type="checkbox"/> <b>O-TAUPE</b> Organic Taupe                       |
| <input type="checkbox"/> <b>BONE</b> Mesa Bone        | <input type="checkbox"/> <b>SAME</b> Same as Deck (Requires Tempered Water) |
| <input type="checkbox"/> <b>DS-WHT</b> Designer White |   |
| <input type="checkbox"/> <b>LONDON</b> London Gray    |   |

**Side Apron Options (Front apron standard, standard height of 1.5):**

- |  |  |
|--|--|
| <input type="checkbox"/> <b>LSA</b> Left Side Apron  | <input type="checkbox"/> <b>RSA</b> Right Side Apron         |
| <input type="checkbox"/> <b>BSA</b> Both Side Aprons | <input type="checkbox"/> <b>ASA</b> All Side Aprons (Island) |
| <input type="checkbox"/> <b>NONE</b> No Side Aprons  |  |

**Side Splash Options (Shipped Loose, Height indicated as SH in chart on page 6):**

- |  |   |
|--|---|
| <input type="checkbox"/> <b>LSS</b> Left Side Splash   | <input type="checkbox"/> <b>RSS</b> Right Side Splash |
| <input type="checkbox"/> <b>BSS</b> Both Side Splashes | <input type="checkbox"/> <b>NONE</b> No Side Splashes |

**Back Splash Options (Height indicated as SH in chart on page 6) [select one]:**

- |   |   |
|---|---|
| <input type="checkbox"/> <b>BS</b> Backsplash | <input type="checkbox"/> <b>NBS</b> No Backsplash |
|---|---|

**Terreon Adhesive Seam Kit (180-day Shelf Life):**

- AS-K** Adhesive Seam Kit Color \_\_\_\_\_ Qty (one Adhesive Seam Kit recommended per seam)

**Bracket (Optional):**

- TBRKT2** Mounting Bracket(s) with Terreon Strip (Decks 23¼" - 26" deep)

† This color contains large, randomly distributed chips.