



HSC79 SafeCare™ Flush Valve with Cover

- Ligature-Resistant Design
- Sloped Top
- Hemispherical Push Button
- Can be Used with Top Supply Water Closet or Urinal

Construction

Hydraulic flush valve has a rough brass finish. Supply connection is a 1" NPT and tailpiece is for a 1½" NPT male spud on fixture. Valves have code approved vacuum breaker and union angle check stop. Cover is secured to wall with tamper-resistant screws. ¼" wall anchors for attaching cover to wall are furnished by others.

Materials

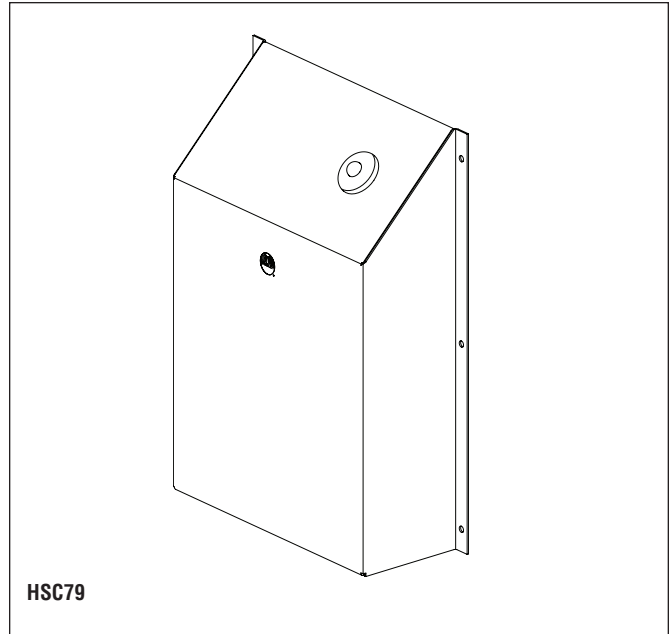
Cover is heavy gauge Type 304 stainless steel. Cover is available in a bead blast or #3 satin polish.

Standard Equipment

Hydraulic flush valve, tailpiece, box cover, hemispherical push button assembly and tamper-resistant screws. Wall anchors and supply piping by others.

Part Numbers

- S91-061L Left Supply Flush Valve / Push Button on Right - Bead Blast Finish
- S91-061R Right Supply Flush Valve / Push Button on Left - Bead Blast Finish
- S91-062L Left Supply Flush Valve / Push Button on Right - #3 Satin Polish
- S91-062R Right Supply Flush Valve / Push Button on Left - #3 Satin Polish



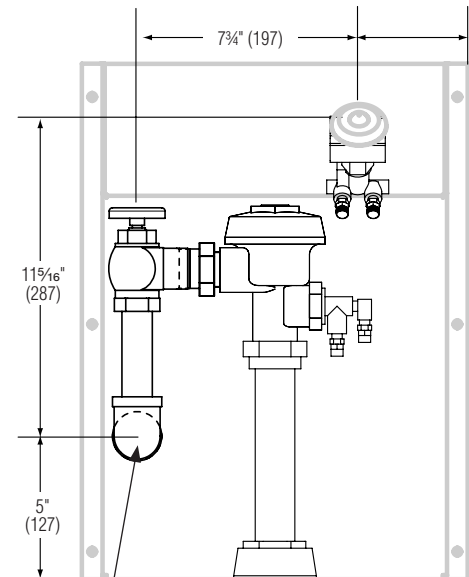
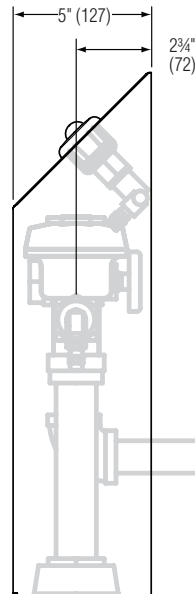
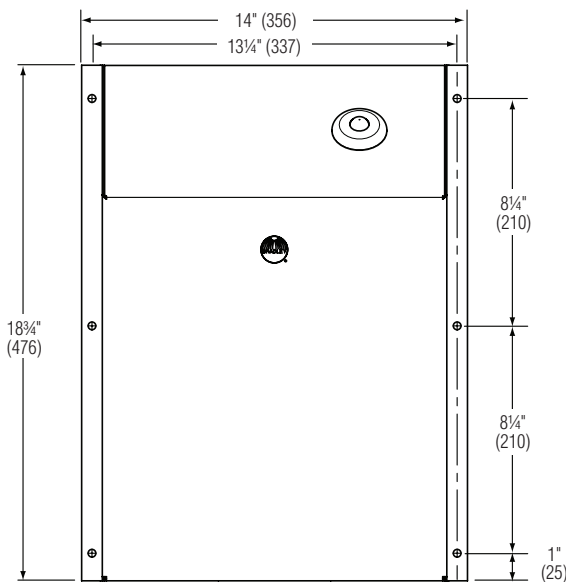
HSC79



This plumbing fixture is non-cancelable and non-returnable.

Dimensions

(mm)



Unit with supplies on left side is shown. For unit with supplies on right side, dimensions are opposite. Push button assembly is always opposite of supply.



Please contact your Bradley representative if custom dimensions are required for your application.

1" NPT Supply Inlet Location (Supply Piping to Flush Valve Supplied by Installer)

Box Bottom is Enclosed, Notched Only for Flush Valve Outlet