



LC500 Patient Care Unit, 29", Fixed Water Closet

- Combination Lavatory Water Closet Module
- Durable Epoxy-coated Stainless Steel Cabinetry
- Large, Conveniently Located Access Panels for Easy Installation and Maintenance

Specifications—Standard Equipment

Cabinet

Stationary cabinet is constructed of 14 gauge stainless steel and three access panels allow for easy installation and maintenance. Finish available in BradGlaze almond, white and gray. Cabinet includes integral 12" grab bar.

Countertop and Lavatory

Countertop with integral lavatory is furnished with Bone colored cultured marble (Stainless Steel #4 Polish also available). Countertop measures 10"x 8"x 6" deep. Furnished with 10" rigid gooseneck, deck-mounted hot and cold faucet with 4" wristblade handles. Traps and stops complying with local codes to be furnished by plumbing contractor.

Toilet

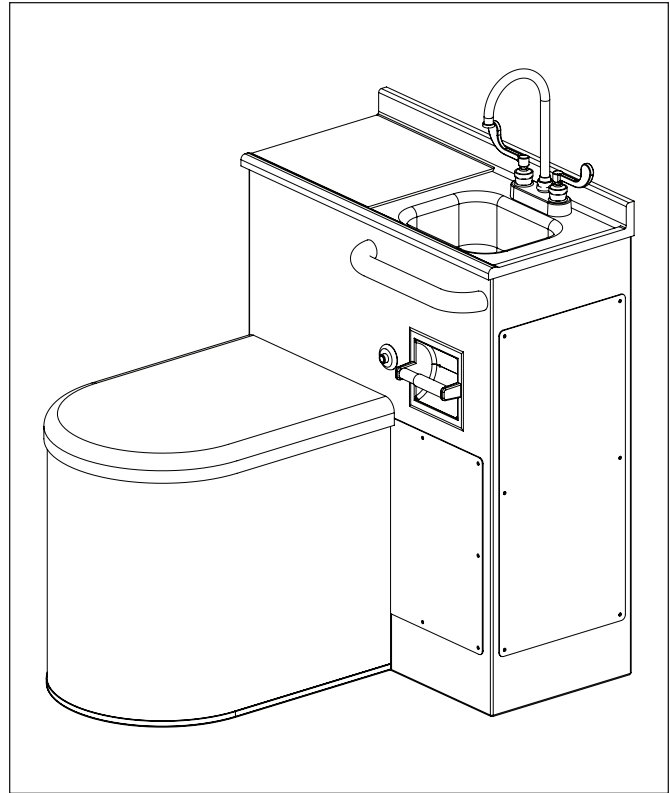
Available in left or right side toilet configurations. Toilet is constructed entirely of 14 and 16 gauge stainless steel and will support a 5,000 lb. static load. Siphon jet type with elongated bowl, integral flushing rim, and remote-actuated hydraulic flushing system with push button. 25 PSI minimum is required for flushing. White seat with cover has self-sustaining hinge. A 1.6 gallon per flush (low flow) toilet is standard. Toilet assembly meets ANSI/ASME A112.19.2.

- 1.6 gpf is not available for use in California per California Energy Commission 20 CCR T. 20, Div. 2, §1601-1609.

Check Your Surroundings

Certain factors, such as intense direct sunlight, other infrared devices, or other site conditions may interfere with the activation of infrared faucets. Contact your local Bradley representative to discuss any application concerns.

- Standard product selections contained within this document are third party **CERTIFIED** to NSF/ANSI 372 meeting the Lead-Free content requirement. Any product configured with custom options will be **COMPLIANT** with NSF/ANSI 372 meeting the Lead-Free content requirement.



NOTE: LC500 with optional roll-away seat (left-hand configuration shown).

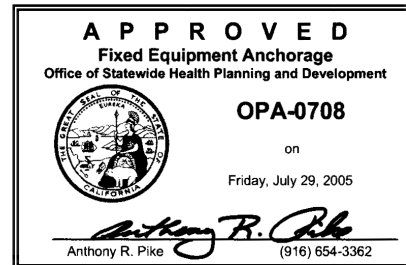
All Patient Care Units are non-cancelable and non-returnable because they are made to exact specifications for each order.



Certified to NSF/ANSI 372

Office of Statewide Health Planning and Development ANCHORAGE PRE-APPROVAL

Equipment Type: LavCare 500 Series Patient Care Module



Verify all rough-in dimensions prior to installation.

Consult local and national codes. Conformity and compliance to local and national codes is the responsibility of the installer.

Page 1 of 4 6/8/2017

This information is subject to change without notice.

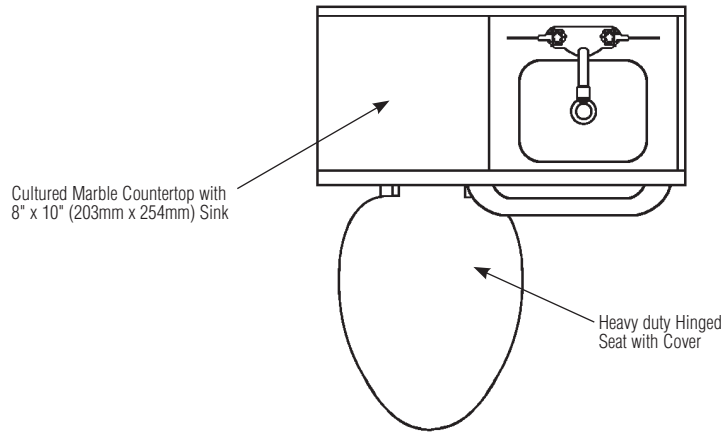
Bradley_PatientCare_LC500

© 2017 Bradley
P.O. Box 309, Menomonee Falls, WI 53052-0309
800 BRADLEY (800 272 3539) +1 262 251 6000
bradleycorp.com

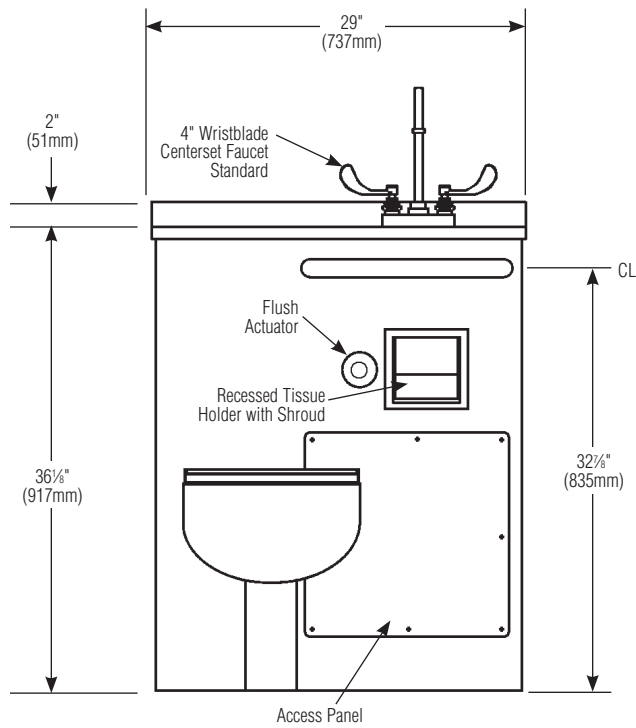


LC500 Patient Care Unit, 29", Fixed Water Closet

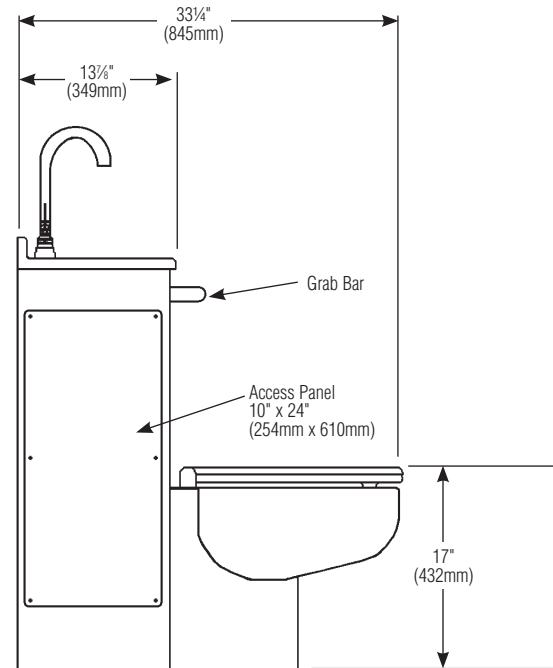
LEFT-HAND VERSION



TOP VIEW



FRONT VIEW



SIDE VIEW

Verify all rough-in dimensions prior to installation.

Consult local and national codes. Conformity and compliance to local and national codes is the responsibility of the installer.

Page 2 of 4

6/8/2017

This information is subject to change without notice.

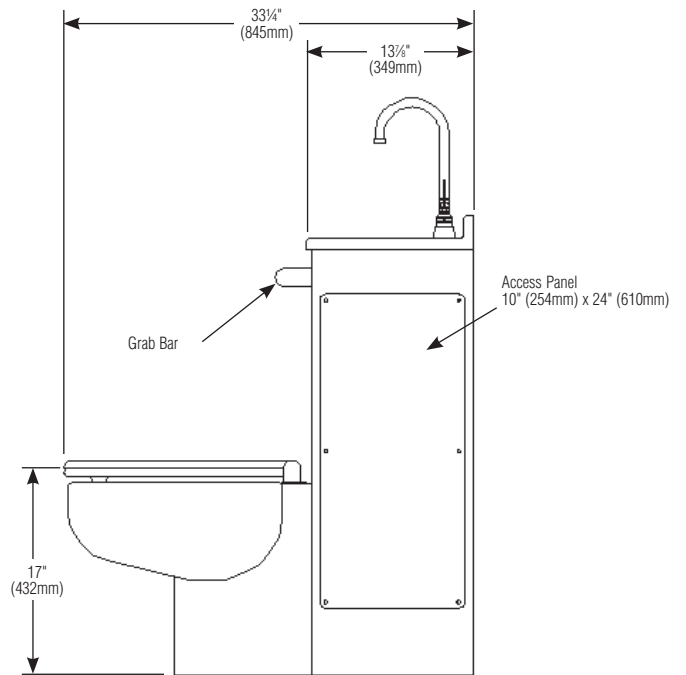
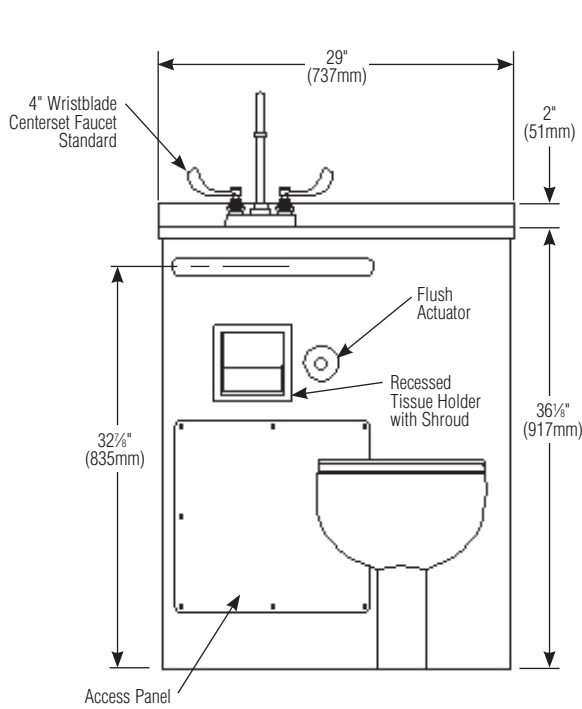
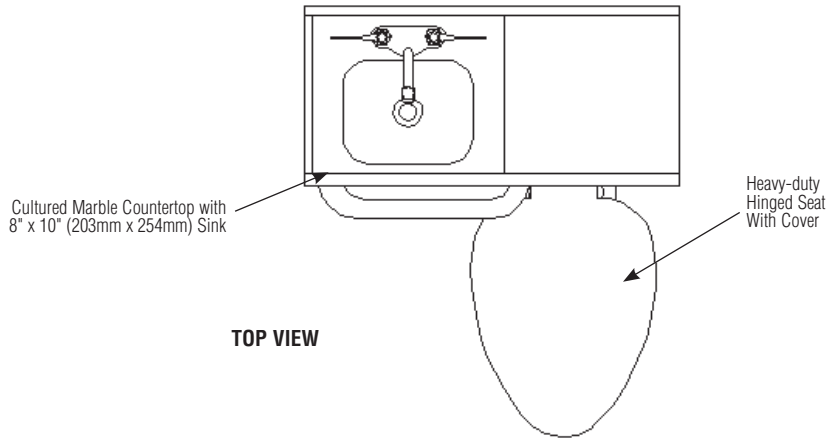
Bradley_PatientCare_LC500

© 2017 Bradley
 P.O. Box 309, Menomonee Falls, WI 53052-0309
 800 BRADLEY (800 272 3539) +1 262 251 6000
 bradleycorp.com



LC500 Patient Care Unit, 29", Fixed Water Closet

RIGHT-HAND VERSION



Verify all rough-in dimensions prior to installation.

Consult local and national codes. Conformity and compliance to local and national codes is the responsibility of the installer.

Page 3 of 4

6/8/2017

This information is subject to change without notice.

Bradley_PatientCare_LC500

© 2017 Bradley
 P.O. Box 309, Menomonee Falls, WI 53052-0309
 800 BRADLEY (800 272 3539) +1 262 251 6000
 bradleycorp.com



LC500 Patient Care Unit, 29", Fixed Water Closet

Model	Description
<input type="checkbox"/> LC500	29" Patient Care Unit, Fixed Water Closet
Required Selections (Must select one from each category)	
Water Closet Location (select one):	
<input type="checkbox"/> LEFT	Left-Side
<input type="checkbox"/> RIGHT	Right-Side
Water Closet Waste Outlet (select one):	
<input type="checkbox"/> WALL	Wall Waste Outlet
<input type="checkbox"/> FLOOR	Floor Waste Outlet
Water Closet Waste Connection (select one):	
<input type="checkbox"/> 3NH	3" No-Hub Waste Connection
<input type="checkbox"/> 4NH	4" No-Hub Waste Connection
Cabinet Color (select one):	
<input type="checkbox"/> ALMND	BradGlaze Almond
<input type="checkbox"/> GRAY	BradGlaze Gray
<input type="checkbox"/> WHITE	BradGlaze White
Countertop Color (select one):	
<input type="checkbox"/> CM-BONE	Cultured Marble, Bone
<input type="checkbox"/> PS	Polished Stainless Steel*
<input type="checkbox"/> NO-TOP	Less Countertop and Lavatory
Lavatory Valve (select one):	
<input type="checkbox"/> WB	Deck-Mounted Faucet/Wristblade Handles
<input type="checkbox"/> FP	Deck-Mounted Spout/Foot Pedal Control*
<input type="checkbox"/> IR-AC	Infrared Gooseneck Faucet*
<input type="checkbox"/> IR-DC	Infrared Gooseneck Faucet, Battery-Operated*
Mixing Valve Selections (for IR Lavatory Valves):	
<input type="checkbox"/> TMA	TMA Navigator® Thermostatic Mixing Valve

Optional Selections	
<input type="checkbox"/> SSRC-A	Roll-Away Water Closet Cover/Exam Stool (BradGlaze Almond)
<input type="checkbox"/> SSRC-G	Roll-Away Water Closet Cover/Exam Stool (BradGlaze Gray)
<input type="checkbox"/> SSRC-W	Roll-Away Water Closet Cover/Exam Stool (BradGlaze White)
<input type="checkbox"/> SSRC-PS	Roll-Away Water Closet Cover/Exam Stool (Stainless Steel #4 Polish)
<input type="checkbox"/> BWVC	Bedpan Washer w/ Volume Control Valve**
<input type="checkbox"/> SGB	Swing-Down Grab Bar — 35" Long
<input type="checkbox"/> WGB	Wall Grab Bar — 48" Long
<input type="checkbox"/> Other	_____
<input type="checkbox"/> Other	_____
<input type="checkbox"/> Other	_____

- All Patient Care Units are non-cancelable and non-returnable because they are made to exact specifications for each order.
- Once you have determined your configuration, please contact your Bradley Representative for rough-in information.

* Infrared faucets and foot pedal not available with PS countertop selection.
 **Backflow preventer required with bedpan washer selection. It is automatically added when bedpan washer is selected.